

Echelon^{VT}

Instructions for Use

ECVT22L11S to ECVT30R84S
ECVT22L11SD to ECVT30R84SD

EN	Instructions for Use	2
DA	Brugsanvisning	21
NO	Bruksanvisning	40
FI	Käyttöohjeet	59
SV	Bruksanvisning	78
RU	Инструкция протезиста	97
ZH	使用说明	116

Contents



Contents	2
1 Description and Intended Purpose	3
2 Safety Information	5
3 Construction	6
4 Function.....	7
5 Maintenance	7
6 Limitations on use.....	8
7 Bench alignment	9
7.1 Static Alignment.....	9
7.2 Biomimetic Alignment	10
7.3 Biomimetic Adjustment.....	11
7.4 Dynamic Adjustment.....	12
8 Fitting Advice.....	13
9 Maintenance Instructions	15
9.1 Foot Shell Removal.....	15
9.2 Heel & Toe Spring Replacement.....	15
9.3 Pylon Sleeve.....	17
10 Technical Data	18
11 Ordering Information	19

1 Description and Intended Purpose

These instructions are for use by the practitioner.

The term device is used throughout this document to refer to EchelonVT.

Application

The device is to be used exclusively as part of a lower limb prosthesis.

Intended for single user.

This device provides limited self-alignment of the prosthesis on varied terrain and following footwear changes. It is intended to improve on postural sway and symmetry while easing abnormal pressures at the socket interface. The device also includes a spring element capable of absorbing axial and rotational shocks intended to reduce sheer stresses at the residuum/socket interface.

Activity Level

This device is recommended for users that have the potential to achieve Activity Level 3 that may benefit from enhanced stability and an increase in confidence on uneven surfaces. The additional shock absorption and energy return supplied by the axial spring aims to improve comfort and performance.

There are exceptions and in our recommendation we want to allow for unique, individual circumstances. There may also be a number of users of Activity Levels 2 and 4* who would benefit from the enhanced stability offered by the device, but this decision should be made with sound and thorough justification.

Activity Level 1

Has the ability or potential to use a prosthesis for transfers or ambulation on level surfaces at fixed cadence. Typical of the limited and unlimited household ambulator.

Activity Level 2

Has the ability or potential for ambulation with the ability to traverse low-level environmental barriers such as curbs, stairs, or uneven surfaces. Typical of the limited community ambulator.

Activity Level 3

Has the ability or potential for ambulation with variable cadence. Typical of the community ambulator who has the ability to traverse most environmental barriers and may have vocational, therapeutic, or exercise activity that demands prosthetic utilization beyond simple locomotion.

Activity Level 4

Has the ability or potential for prosthetic ambulation that exceeds basic ambulation skills, exhibiting high impact, stress, or energy levels. Typical of the prosthetic demands of the child, active adult, or athlete.

(*Maximum user weight 100 kg and always use one higher spring rate category than shown in the Spring Set Selection table.)

Contraindications

This device may not be suitable for level 1 individuals or for competitive sports events, as these types of users will be better served by a specially designed prosthesis optimized for their needs. Ensure that the user has understood all instructions for use, drawing particular attention to the section regarding Maintenance.

Clinical Benefits

- Increased ground clearance reduces risk of trips and falls
- Improved balance through self-alignment
- Improved ground compliance for slope negotiation
- Improved kinetic gait symmetry
- Reduced loading on the residual limb
- Reduced loading rate on the residual limb
- Reduced back pain when twisting
- Increased walking speed

Spring Set Selection

Activity Level 3

44-52 (100-115)	53-59 (116-130)	60-68 (131-150)	69-77 (151-170)	78-88 (171-195)	89-100 (196-220)	101-116 (221-255)	117-125 (256-275)	kg (lbs)	User Weight
1	2	3	4	5	6	7	8		Foot Spring Set
●	●●	●●●	●●●●						Axial Shock Absorber Spring Rate
1	2	3	4						

Note... If in doubt choosing between two categories, choose the higher rate spring set. Foot Spring set recommendations shown are for transtibial users. For transfemoral users we suggest selecting a spring set one category lower, refer to Section 8 *Fitting Advice* to ensure satisfactory function and range of movement.

2 Safety Information



This warning symbol highlights important safety information which must be followed carefully.



Any changes in the performance or function of the limb e.g. restricted movement, non-smooth motion or unusual noises should be immediately reported to your service provider.



Always use a hand rail when descending stairs and at any other time if available.



The device is not suitable for extreme sports, running or cycle racing, ice and snow sports, extreme slopes and steps. Any such activities undertaken are done so completely at the users' own risk. Recreational cycling is acceptable.



Assembly, maintenance and repair of the device must only be carried out by a suitably qualified clinician.



The user should contact their clinician if their condition changes.



Ensure only suitably retrofitted vehicles are used when driving. All persons are required to observe their respective driving laws when operating motor vehicles.



To minimise the risk of slipping and tripping, appropriate footwear that fits securely onto the footshell must be used at all times.



After continuous use the ankle casing may become hot to the touch.



Avoid exposure to extreme heat and/or cold.



The user must not adjust or tamper with the setup of the device.

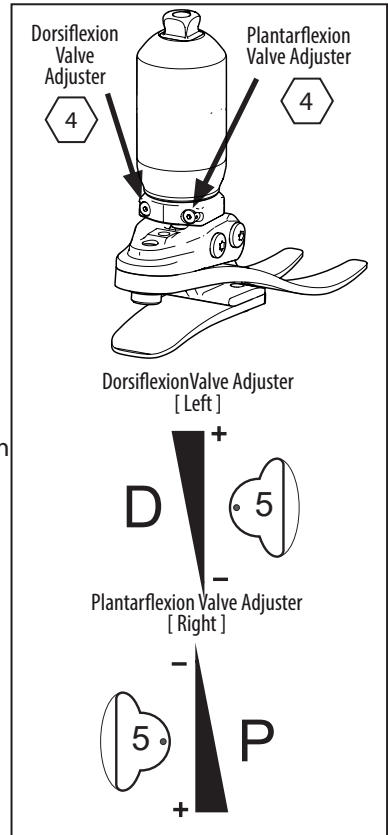
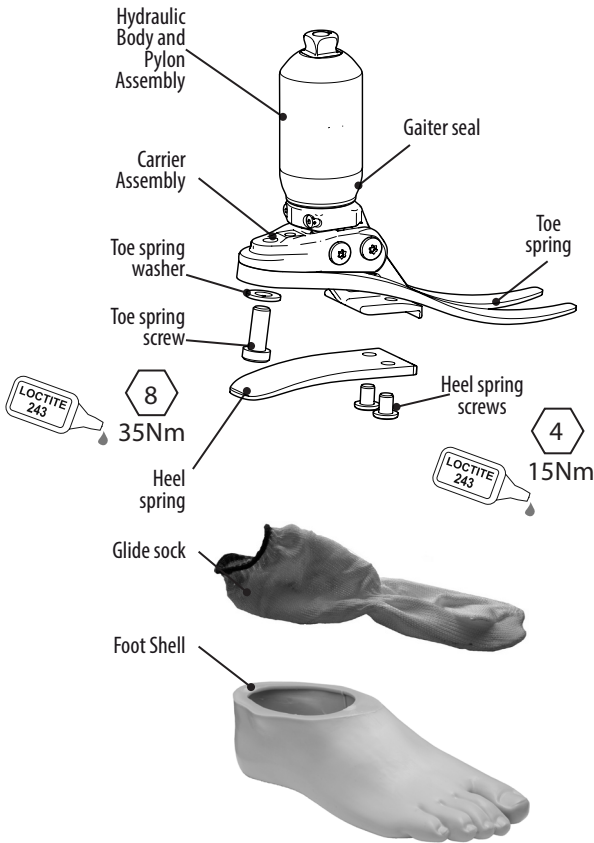


Be aware of finger trap hazard at all times.

3 Construction

Principal Parts

- Hydraulic Body and Pylon Assembly (Aluminium/St. Stl./Titanium)
- Carrier Assembly (Aluminium/St. Stl.)
- Heel & Toe Springs (e-Carbon)
- Spring attachment screws (St. Stl./Titanium)
- Glide Sock (UHM PE)
- Foot shell (PU)



4 Function

The device comprises a hydraulic body assembly containing adjustable hydraulic valves. The valves can be independently adjusted to increase and reduce hydraulic resistance to plantarflexion and dorsiflexion.

The proximal part of the hydraulic body assembly contains a spring component that allows the pyramid tube to deflect and/or rotate through a limited range under an axial and/or torsional load. When the load is removed the spring returns to its original position. The effect of this movement is to attenuate any shock forces that would otherwise be transmitted to the residuum/socket interface both in axial and rotational directions.

The hydraulic body assembly is connected to a carrier assembly via two pivot pins. Heel and toe springs are attached to the carrier using titanium and stainless steel screws. The foot is wrapped in a UHM PE sock which is in turn surrounded by a PU foot shell.

5 Maintenance

Maintenance must be carried out by competent personnel.

It is recommended that the following maintenance is carried out annually:

- Check for visual defects that may affect proper function
- Clean and relubricate bearing surface. Use Sapphire Endure (928015) or equivalent PTFE loaded grease (see Section 9 *Maintenance Instructions*).
- Remove the foot shell and glide sock, check for damage or wear and replace if necessary.
- Check all screws for tightness, clean and reassemble as necessary.
- Visually check the heel and toe springs for signs of delamination or wear and replace if necessary. Some surface damage may occur after a period of use, this does not affect the function or strength of the foot.

Any changes in performance of this device must be reported to the practitioner. Changes in performance may include:

- Increase in ankle stiffness
- Changes in axial or torsional stiffness
- Reduced ankle support (free movement)
- Softening of springs
- Excessive play in bearings
- Any unusual noise

The user should be advised to contact their practitioner if their condition changes.

The practitioner must also be informed of any changes in body weight and/or activity level.

The user should be advised that a regular visual check of the foot is recommended, signs of wear that may affect function should be reported to their service provider (e.g. significant wear or excessive discoloration from long term exposure to UV).

Cleaning

Use a damp cloth and mild soap to clean outside surfaces. Do not use aggressive cleansers.

6 Limitations on use

Intended Life

A local risk assessment should be carried out based upon activity and usage.

Lifting Loads

User weight and activity is governed by the stated limits.

Load carrying by the user should be based on a local risk assessment.

Environment

Avoid exposing the device to corrosive elements such as water, acids and other liquids. Also avoid abrasive environments such as those containing sand for example as these may promote premature wear.

Exclusively for use between -15°C and 50°C (5°F to 122°F).



Suitable for outdoor use

7 Bench alignment

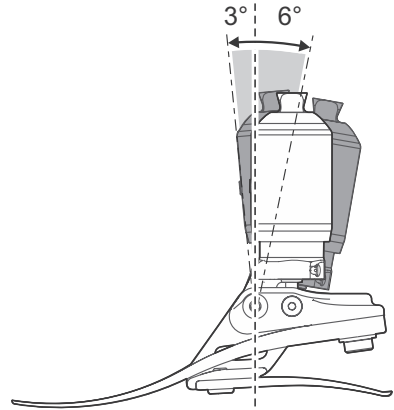
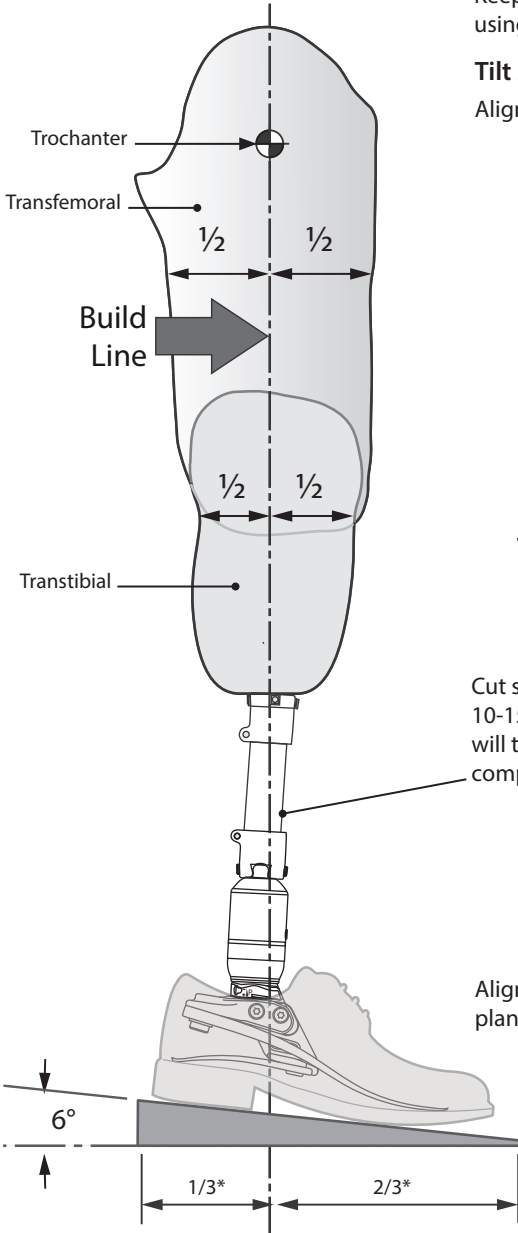
7.1 Static Alignment

Align transfemoral devices according to fitting instructions supplied with the knee.

Keep the build line between pivots as shown, using shift and/or tilt devices as necessary.

Tilt Setting

Align limb to achieve range of motion shown.



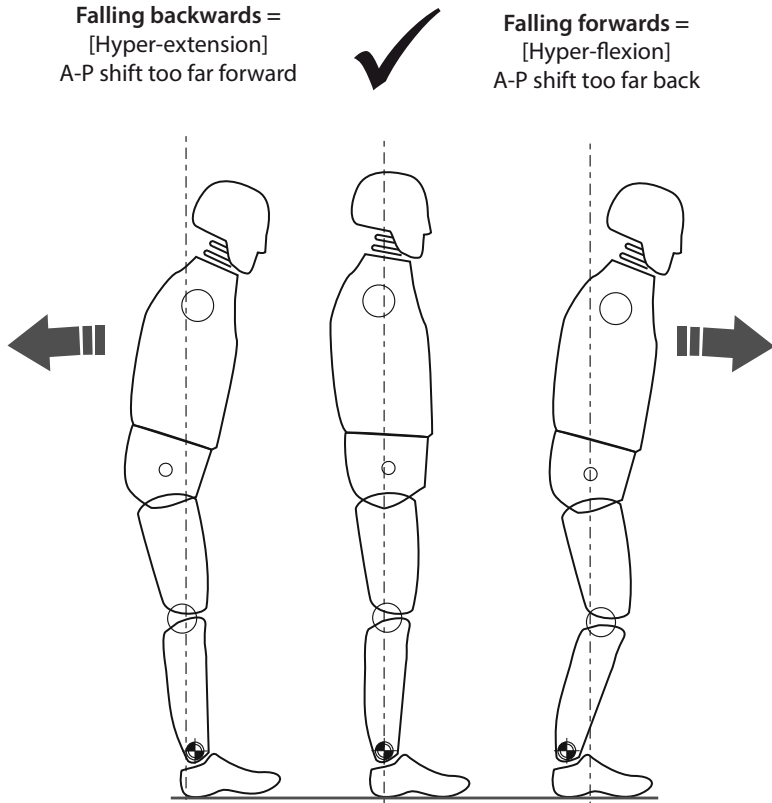
Cut shin to approximate length, allowing 10-15mm for final trimming. **Note:** trial length will typically include 10mm to allow for axial compression of heel, toe and spring (axial).

Align with shoe on and foot fully plantar flexed.

*Approximate ratio

7.2 Biomimetic Alignment

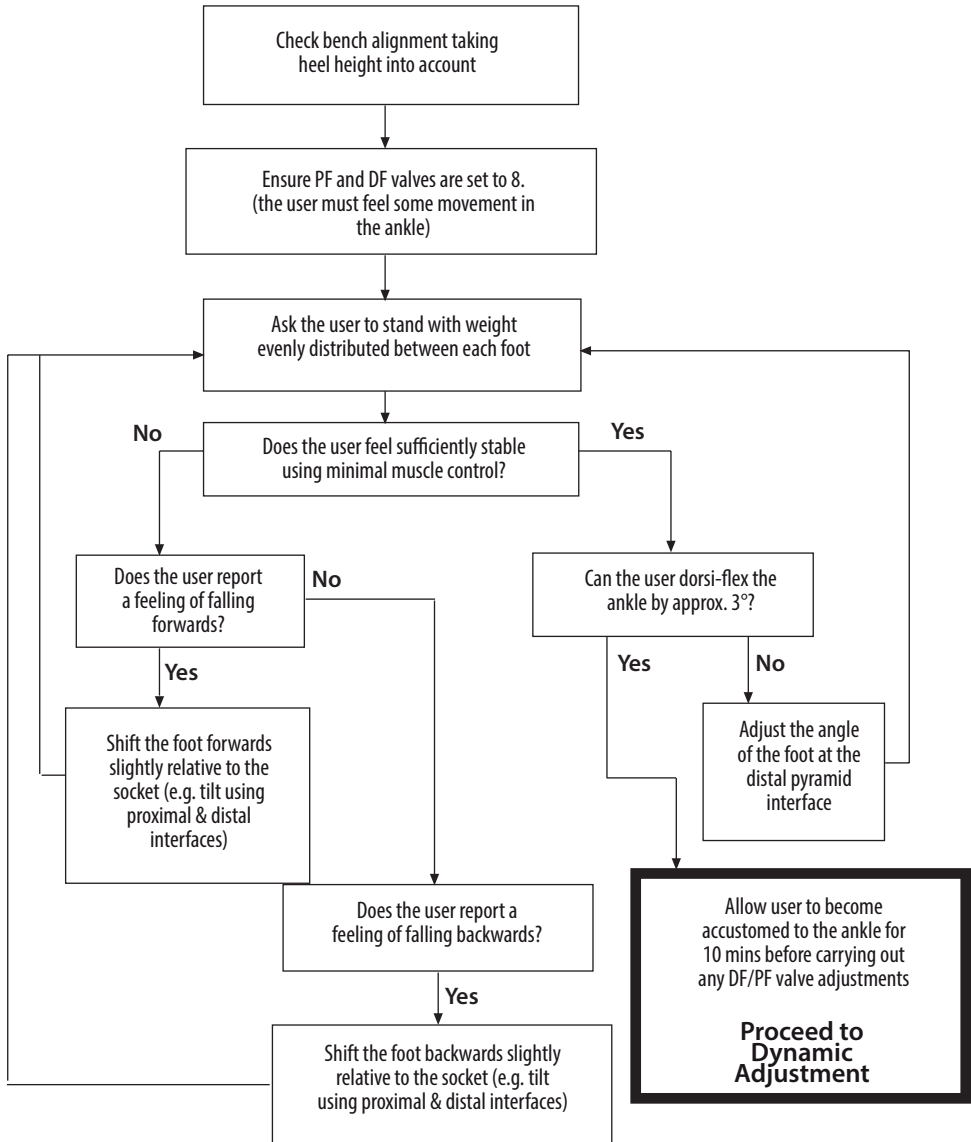
The aim of alignment is to achieve a “balance point” while standing and set the hydraulically damped range of motion. The aim of damping adjustment is to fine tune the ankle-foot roll-over stiffness characteristics until a comfortable gait is achieved. Due to the increased range of motion provided by the ankle the user may experience the need for more voluntary control and initially find the ankle disconcerting during setup. This should quickly pass upon completion of satisfactory setup.



Ensure that the user is relaxed and not resting on the dorsi-flexion limit.

7.3 Biomimetic Adjustment

Note... Carry out static alignment while ensuring the user has some means of support such as parallel bars. This is standing alignment only.



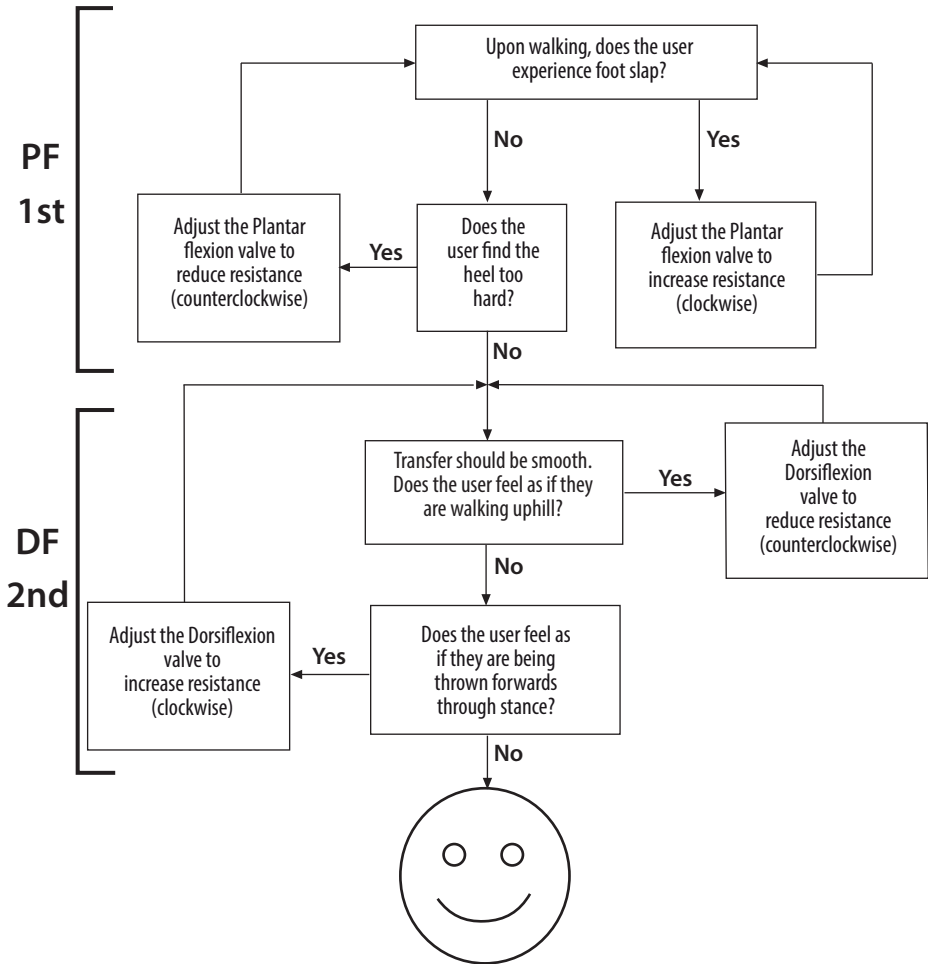
Use shift for static alignment and standing.

The device should encourage some degree of self adjustment to achieve a sense of balance for the user during standing.

7.4 Dynamic Adjustment

Adjustment of the hydraulic valves

The user should experience the ankle moving with the body through the gait cycle. There should be no effort exerted by the user to overcome the hydraulic resistance of the ankle.



Guidance

Following dynamic adjustment, trial the foot/ankle on ramps and stairs. Ensure the user is comfortable with the kind of terrain he/she may normally be expected to encounter. If the user reports any issues with comfort, usability or range of movement of the ankle, adjust accordingly.

8 Fitting Advice

The correct alignment (A-P position), range of motion (distribution of plantarflexion to dorsiflexion) and adjustment of the hydraulic settings are critical in achieving a smooth roll over and correct slope adaptation (see Section 7.3 *Biomimetic Adjustment*).

The device's axial springs are designed to work together with the heel and toe springs to give smooth progression for most users. The axial spring controls both compressive and torsional resilience and typical axial movement should be between 3-6mm for normal walking.

The device is available with a choice of 4 axial spring rates (see section 1 for details).

Allow the user some time to become familiar with the initial set-up.

If after following the instructions below you still have problems with the function please contact the sales team in your area for advice.

Any of the following will have a negative effect on function and stability:

- Incorrect spring selection
- Incorrect A-P shift alignment
- Incorrect distribution of plantarflexion and dorsiflexion range

	<i>Symptoms</i>	<i>Remedy</i>
1.	<ul style="list-style-type: none">• Sinking at heel strike• Difficulty in achieving a smooth progression to mid stance• User feels they are walking up hill or forefoot feels excessively long	<ul style="list-style-type: none">• Increase plantarflexion resistance• Check A-P shift alignment; ensure foot is not too anteriorly positioned• Check distribution of plantarflexion and dorsiflexion movement; ensure that the plantarflexion range is not excessive• Check spring category is not too soft, if so fit higher rate spring
2.	<ul style="list-style-type: none">• Progression from heel strike to mid stance is too rapid• Difficulty in controlling the energy return from the foot at the heel strike (reduced knee stability)• User feels heel is too hard, fore foot is too short	<ul style="list-style-type: none">• Reduce plantarflexion resistance• Check A-P shift alignment; ensure foot is not too posteriorly positioned• Check distribution of plantarflexion and dorsiflexion movement; ensure that there is adequate plantarflexion range• Check the spring category is not too high for the weight and activity of the patient, if so fit lower rate spring

	<i>Symptoms</i>	<i>Remedy</i>
3.	<p>Heel contact and progression feel OK but:</p> <ul style="list-style-type: none"> • Forefoot feels too soft • Forefoot feels too short • User feels they are walking <i>down</i> hill, possibly with reduced knee stability • Lack of energy return 	<ul style="list-style-type: none"> • Increase dorsiflexion resistance • Check A-P shift alignment; ensure foot is not too posteriorly positioned • Check distribution of plantarflexion and dorsiflexion movement; ensure that there is not excessive dorsiflexion range • Check the spring category is not too soft for the weight and activity of the patient, if so fit higher rate spring
4.	<p>Heel contact and progression feel OK but:</p> <ul style="list-style-type: none"> • Forefoot feels too rigid • Forefoot feels too long • Feels like walking up hill 	<ul style="list-style-type: none"> • Reduce dorsiflexion resistance • Check A-P shift alignment; ensure foot is not too anteriorly positioned • Check distribution of plantarflexion and dorsiflexion movement; ensure that there is sufficient dorsiflexion range • Check the spring category is not too rigid for the weight and activity of the patient, if so fit lower rate spring

9 Maintenance Instructions



Be aware of finger trap hazard at all times.



Use appropriate health and safety equipment at all times including extraction facilities.

9.1 Foot Shell Removal

1

Insert shoe horn behind heel spring.



2

Rotate shoe horn as shown to remove shell.



9.2 Heel & Toe Spring Replacement

3

Remove heel spring and screws.



4

Remove toe spring screw, replace toe. Upon reassembly, use Loctite 243 (926012) and torque to 35Nm. Ensure toe spring is central to the carrier.



5

Re-assemble with replacement heel spring. Use Loctite 243 (926012) and torque to 15Nm.



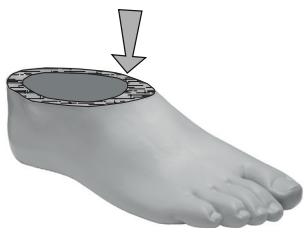
6

Cover appropriate lines on carrier with permanent black marker to leave springset number showing.



7

If a foam cosmesis is to be fitted, roughen top surface of foot shell to provide ideal bonding surface.

**8**

Lubricate toe and heel if required. (Foot shell is pre-lubricated).

**9**

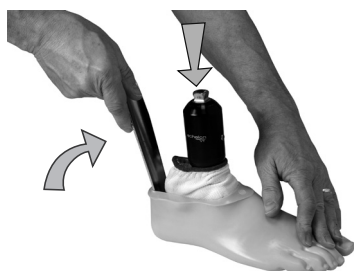
Toe spring location in foot shell.

10

Use a suitable lever to encourage the heel spring into location in the foot shell.

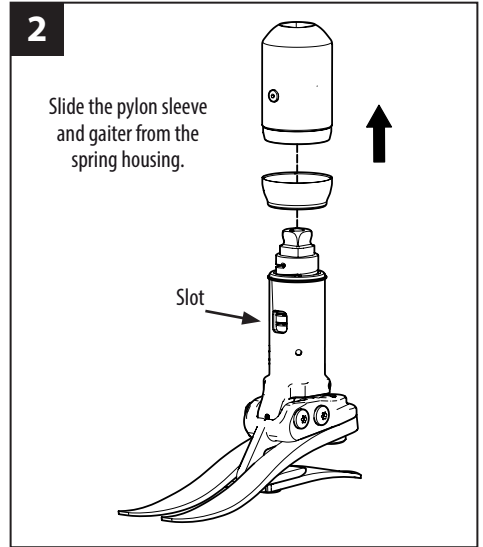
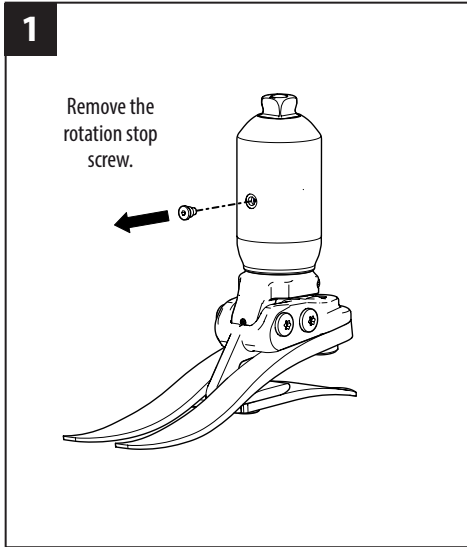
**11**

Ensure heel spring is engaged into slot.



If a cosmetic finish is required please contact a member of the Blatchford Sales Team.

9.3 Pylon Sleeve



Clean and relubricate bearing surface.

Use Sapphire Endure (928015) or equivalent PTFE loaded grease.

9.3.1 Re-assembly

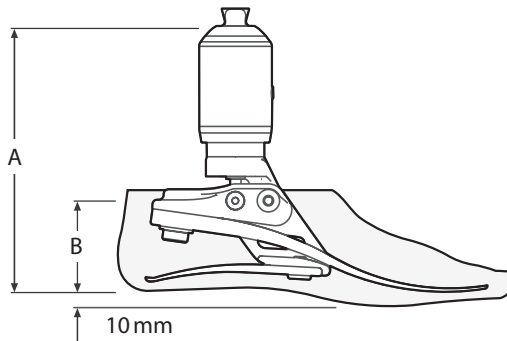
Ensure the rotation stop screw aligns with the slot in the pylon apply Loctite 243 and tighten.

Replacement Gaiter available Part No. 534003

10 Technical Data

Operating and Storage Temperature Range:	-15°C to 50°C (5°F to 122°F)
Component Weight (Size 26N):	1.05kg (2lb 3ozs)
Recommended Activity Level:	3
Maximum User Weight:	125kg (275lb)
Sizes:	22 to 30cm
Proximal Alignment attachment:	Male Pyramid (Blatchford) +/- 7°
Range of Ankle Movement:	6° plantar to 3° dorsiflexion
Maximum Rotation:	+/- 15°
Typical Axial Movement:	3- 6mm [maximum 10mm]
Build Height:*	22cm - 24cm 168mm 25cm - 26cm 173mm 27cm - 30cm 178mm
Heel Height:	10mm

Fitting Length



Size	A
22-24	168 mm
25-26	173 mm
27-30	178 mm

Size	B
22-26	65 mm
27-28	70 mm
29-30	75 mm

11 Ordering Information

Order example:

ECVT	25	L	N	3	2	S
------	----	---	---	---	---	---

Size Side Width* Spring Set Axial Sandal
(L/R) (N/W) Category Spring Toe

Available from size 22 to size 30:

ECVT22L11S to ECVT30R84S

ECVT22L11SD to ECVT30R84SD

(add 'D' for a dark tone foot shell)

*Sizes 25-28 only. For all other sizes, omit the Width field.

e.g. ECVT25LN12S, ECVT22R34S, ECVT27RW33SD

Spring Kits				
Rate	Foot Sizes			
	Small (S)	Medium (M)	Large (L)	Extra Large (XL)
	22-24	25-26	27-28	29-30
Set 1	539801S	539810S	539819S	539828S
Set 2	539802S	539811S	539820S	539829S
Set 3	539803S	539812S	539821S	539830S
Set 4	539804S	539813S	539822S	539831S
Set 5	539805S	539814S	539823S	539832S
Set 6	539806S	539815S	539824S	539833S
Set 7	539807S	539816S	539825S	539834S
Set 8	539808S	539817S	539826S	539835S

Foot Shell (for dark add 'D')		
Size/Side	Narrow	Wide
22L	539038S	-
22R	539039S	-
23L	539040S	-
23R	539041S	-
24L	539042S	-
24R	539043S	-
25L	539044SN	539044SW
25R	539045SN	539045SW
26L	539046SN	539046SW
26R	539047SN	539047SW
27L	539048SN	539048SW
27R	539049SN	539049SW
28L	539050SN	539050SW
28R	539051SN	539051SW
29L	-	539052S
29R	-	539053S
30L	-	539054S
30R	-	539055S

Item	Part. No.
Glide Sock (Sizes 22-26)	531011
Glide Sock (Sizes 27-30)	532811
DF/PF Adjuster Key, 4 A/F Allen	940236
Gaiter	534003
Rotation stop screw	534005

Liability

The manufacturer recommends using the device only under the specified conditions and for the intended purposes. The device must be maintained according to the instructions for use supplied with the device. The manufacturer is not liable for any adverse outcome caused by any component combinations that were not authorized by them.

CE Conformity

This product meets the requirements of the European Regulation EU 2017/745 for medical devices. This product has been classified as a class I device according to the classification rules outlined in Annex VIII of the regulation. The EU declaration of conformity certificate is available at the following internet address: www.blatchford.co.uk



Medical Device



Single Patient – multiple use

Compatibility

Combination with Blatchford branded products is approved based on testing in accordance with relevant standards and the MDR including structural test, dimensional compatibility and monitored field performance.

Combination with alternative CE marked products must be carried out in view of a documented local risk assessment carried out by a Practitioner.

Warranty

This device is warranted for 36 months - foot shell 12 months - glide sock 3 months. The user should be aware that changes or modifications not expressly approved could void the warranty, operating licenses and exemptions. See Blatchford website for the current full warranty statement.

Reporting of Serious Incidents

In the unlikely event of a serious incident occurring in relation to this device it should be reported to the manufacturer and your national competent authority.

Environmental Aspects

Where possible the components should be recycled in accordance with local waste handling regulations.


Retaining the Packaging Label

You are advised to keep the packaging label as a record of the device supplied.

Trademark Acknowledgements

Echelon and Blatchford are registered trademarks of Blatchford Products Limited.

Manufacturer's Registered Address

 Blatchford Products Limited, Lister Road, Basingstoke RG22 4AH, UK.

Indhold.....	21
1 Beskrivelse og tilsigtet formål.....	22
2 Sikkerhedsinformation.....	24
3 Konstruktion	25
4 Funktion.....	26
5 Vedligeholdelse	26
6 Begrænsninger i forbindelse med brugen.....	27
7 Bænktilpasning	28
7.1 Statisk tilpasning	28
7.2 Biomimetisk tilpasning	29
7.3 Biomimetisk justering.....	30
7.4 Dynamisk justering.....	31
8 Rådgivning vedrørende tilpasning.....	32
9 Anvisninger til vedligeholdelse.....	34
9.1 Aftagning af fodskal	34
9.2 Udskiftning af hæl- og tåfjeder.....	34
9.3 Pylonmanchet.....	36
10 Tekniske data	37
11 Bestillingsoplysninger	38

1 Beskrivelse og tilsigtet formål

Denne brugsanvisning er til den praktiserende læge.

Udtrykket anordning anvendes i hele brugsanvisningen og henviser til EchelonVT.

Anvendelse

Denne anordning må udelukkende anvendes som del af en benprotese.

Beregnet til en enkelt bruger.

Denne anordning sørger for begrænset selvjustering af protesen på blandet terræn og efter skift af fodtøj. Den er beregnet til at forbedre postural svejning og symmetri, samtidig med at unormalt tryk på hylstrets kontaktflade afhjælpes. Anordningen omfatter også et fjederelement, som er i stand til at absorbere stød på akse eller under drejning, og den er beregnet til at mindske overdreven belastning på kontaktfladen mellem stumpen/hylstret.

Aktivitetsniveau

Denne anordning anbefales til brugere der vil være i stand til at opnå aktivitetsniveau 3 og vil kunne få fordel af øget stabilitet og en forbedring af gangen på ujævne overflader. Den ekstra stødabsorption og energireturnering, der leveres af den aksiale fjeder, har til formål at forbedre komfort og ydeevne.

Der er dog undtagelser, og i vores anbefalinger ønsker vi at tage højde for unikke, individuelle omstændigheder. Der kan endvidere være et antal brugere med aktivitetsniveau 2 og 4*, der vil kunne få fordel af den øgede stabilitet som anordningen tilvejebringer, men denne beslutning skal træffes med en velfunderet og grundig begrundelse.

Aktivitetsniveau 1

Har evnen eller potentialet til at bruge en protese til overførsler eller gang på plane overflader med en jævn gangrytme. Typisk for en person, der bruger protesen til begrænset og ubegrænset gang indendørs.

Aktivitetsniveau 2

Har evnen eller potentialet til gang og kan krydse lave forhindringer i omgivelserne såsom kantsten, trappetrin eller ujævne overflader. Typisk for en person, der bruger protesen til begrænset udendørs gang.

Aktivitetsniveau 3

Har evnen eller potentialet til gang med en skiftende gangrytme.

Typisk for en person, der kan gå udendørs, kan krydse de fleste forhindringer i omgivelserne, og kan have erhvervs-, terapeutisk- eller træningsaktivitet, der kræver brug af protesen til andet end simpel bevægelse.

Aktivitetsniveau 4

Har evnen eller potentialet til at gå med en benprotese, der overgår almindelige gangfærdigheder og kan klare høje niveauer af nedslag, stres og energi. Typisk for barnets, den aktive voksnes eller atletens krav til en benprotese.

(*Maksimal brugervægt er 100 kg. Anvend altid en højere grad af kategori for fjedersæt, end den der er vist i tabellen Valg af fjedersæt).

Kontraindikationer

Denne anordning er muligvis ikke egnet til personer med niveau 1, eller som dyrker konkurrencesport, eftersom disse typer af brugere vil være bedre tjent med en specialfremstillet protese, som er optimeret til deres behov.

Sørg for, at brugeren har forstået hele brugsanvisningen, og gør især opmærksom på afsnittet om Vedligeholdelse.

Kliniske fordele

- Øget afsæt fra underlaget mindsker risikoen for at snuble og falde
- Forbedret balance gennem selvjustering
- Forbedret kontakt på hældende underlag
- Forbedret kinetisk gangsymmetri
- Mindsket belastning på stumpen
- Mindsket belastningsgrad på stumpen
- Færre rygsmerter under vridebevægelser
- Øget ganghastighed

Valg af fjedersæt

Aktivitetsniveau 3

44-52	53-59	60-68	69-77	78-88	89-100	101-116	117-125 kg	Brugerens vægt
1	2	3	4	5	6	7	8	Fodfjedersæt
	●		●●		●●●		●●●●	Grad af fjeder aksial stødabsorption
1		2		3		4		

Bemærk... Hvis du er i tvivl om, hvilken af to kategorier du skal vælge, skal du vælge fjedersættet med de kraftigste fjedre. Anbefalingerne for de viste fodfjedersæt er til transtibiale brugere.

Vi anbefaler, at der for transfemorale brugere vælges et fjedersæt i én lavere kategori. Der henvises til i Afsnit 8 *Rådgivning vedrørende tilpasning* for at sikre tilfredsstillende funktion og bevægelsesområde.

2 Sikkerhedsinformation



Dette advarselssymbol fremhæver vigtig sikkerhedsinformation, som skal følges nøje.



Enhver ændring i protesens ydeevne eller funktion, f.eks. begrænset bevægelse, ujævn bevægelse eller mislyde skal omgående rapporteres til serviceudbyderen.



Brug altid et gelænder, når du går ned ad trapper og på alle andre tidspunkter, når der forefindes gelænder.



Anordningen er ikke egnet til ekstrem sport, løb eller cykelløb, sportsudøvelse på is eller i sne, ekstreme hældninger og trappetrin. Alle slags aktiviteter af denne art er udelukkende på brugerens egen risiko. Motionscykling kan accepteres.



Montering, vedligeholdelse og reparation af anordningen må kun udføres af en læge med relevant uddannelse.



Brugeren skal kontakte sin læge, hvis vedkommendes tilstand ændres.



Sørg for, at der kun anvendes hensigtsmæssigt eftermonterede køretøjer under kørsel i bil. Alle personer er forpligtet til at overholde deres respektive kørebestemmelser, når de betjener motorkøretøjer.



For at minimere risikoen for at glide og snuble skal der altid anvendes passende fodtøj, der sidder sikkert fast på fodskallen.



Efter vedvarende brug kan ankelhuset blive varmt at røre ved.



Undgå eksponering for ekstrem varme og/eller kulde.



Brugeren må ikke justere eller ændre på opsætningen af anordningen.

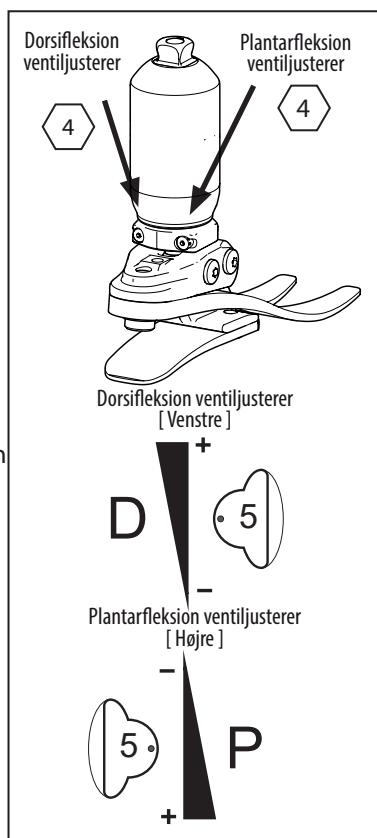
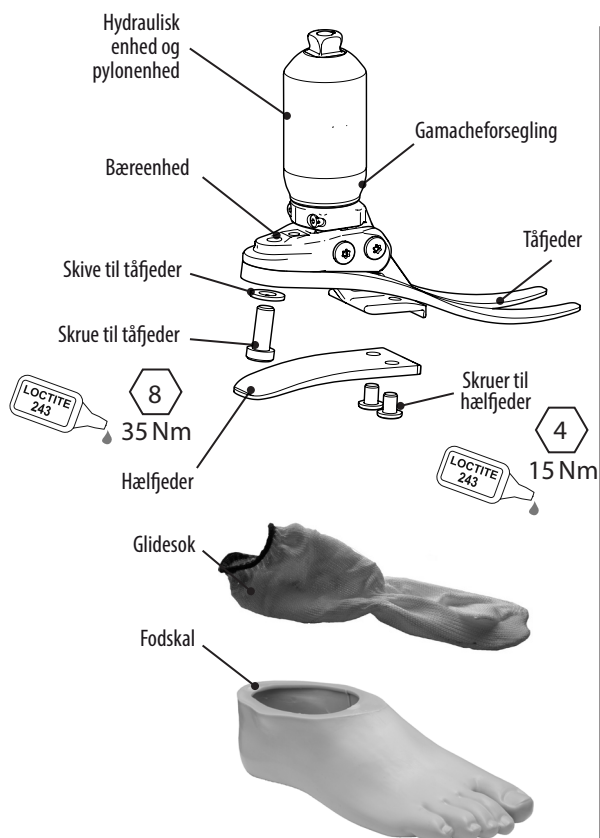


Vær til enhver tid opmærksom på risikoen for at få fingrene i klemme.

3 Konstruktion

Vigtige dele

- Hydraulisk enhed og pylonenhed (aluminium/rustfrit stål/titanium)
- Bæreenhed (aluminium/rustfrit stål)
- Hæl- og tåfjedre (e-carbon)
- Skruer til montering af fjeder (rustfrit stål/titanium)
- Glidesok (UHM PE)
- Fodskal (PU)



4 Funktion

Anordningen består af en hydraulisk enhed med justerbare hydrauliske ventiler. Ventilerne kan justeres uafhængigt for at øge og mindske den hydrauliske modstand under plantarfleksion og dorsifleksion.

Den proksimale del af den hydrauliske enhed indeholder en fjederkomponent, som tillader afbøjning/drejning af pyramiderøret i et begrænset område under aksial belastning og/eller belastning på torso. Når belastningen fjernes, vender fjederen tilbage til sin oprindelige position. Formålet med denne effekt er at svække alle stødpåvirkninger, som ellers ville blive overført til kontakfladen mellem stumpen/hylstret i både aksial retning og ved rotation.

Den hydrauliske enhed er koblet til en bæreenhed ved hjælp af to drejetapper. Hæl- og tåfjedrene er monteret på bæreenheden med titaniumskruer og skruer af rustfrit stål. Foden er pakket ind i en UHM PE-sok, som igen er omgivet af en PU-fodskal.

5 Vedligeholdelse

Vedligeholdelse skal udføres af uddannet personale.

Det anbefales, at følgende vedligeholdelse udføres én gang om året:

- Kontrollér, at der ikke er synlige defekter, som kan påvirke korrekt funktion
- Rengør og smør den bærende overflade igen. Anvend Sapphire Endure (928015) eller tilsvarende PTFE-smørelse til påføring (se Afsnit 9 *Anvisninger til vedligeholdelse*).
- Fjern fodskallen og glidesokken, kontrollér for beskadigelse eller slitage, og udskift om nødvendigt.
- Kontrollér, at alle skruer er godt strammet til, rengør og saml igen efter behov.
- Efterse hæl- og tåfjedre for tegn på delaminering eller slitage, og udskift om nødvendigt. Der kan opstå overfladiske skader efter en brugsperiode. Dette påvirker ikke fodens funktion eller styrke.

Eventuelle ændringer i denne anordnings ydeevne skal rapporteres til den praktiserende læge.

Ændringer i ydeevnen kan omfatte:

- Forøgelse af ankelstivhed
- Ændringer i stivhed i længderetning eller torso
- Reduceret ankelstøtte (fri bevægelse)
- Blødgøring af fjedre
- For meget slør i bærende dele
- Eventuelle mislyde

Brugeren bør rådes til at kontakte sin praktiserende læge, hvis hans eller hendes tilstand ændres.

Den praktiserende læge skal også informeres, hvis der er ændringer i kropsvægt og/eller aktivitetsniveau.

Brugeren skal informeres om, at jævnlig visuel inspektion af foden anbefales, og at tegn på slid, der kan påvirke funktionen, skal rapporteres til serviceudbyderen (f.eks. betydeligt slid eller kraftig misfarvning på grund af langvarig eksponering for UV).

Rengøring

Brug en fugtig klud og mild sæbe til at rengøre udvendige overflader. Brug ikke aggressive rengøringsmidler.

6 Begrænsninger i forbindelse med brugen

Forventet levetid:

En lokal risikovurdering baseret på aktivitet og brugsvarethed skal udføres.

Belastning ved løft af byrder:

Brugerens vægt og aktivitet er underlagt de angivne grænser.

Byrder, der må bæres af brugeren, skal baseres på en lokal risikovurdering.

Miljø:

Undgå at udsætte anordningen for korroderende elementer som f.eks. vand, syrer eller væsker. Undgå også slibende miljøer som f.eks. dem, der indeholder sand, eftersom disse kan fremme førtidigt slid.

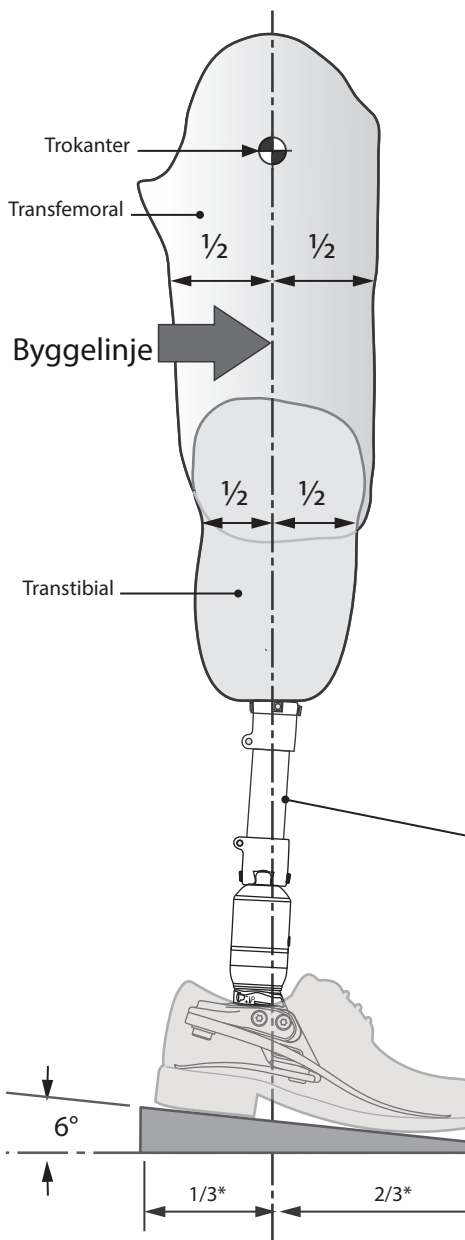
Må kun anvendes ved temperaturer mellem -15°C og 50°C.



Egnet til udendørs brug

7 Bænktilpasning

7.1 Statisk tilpasning

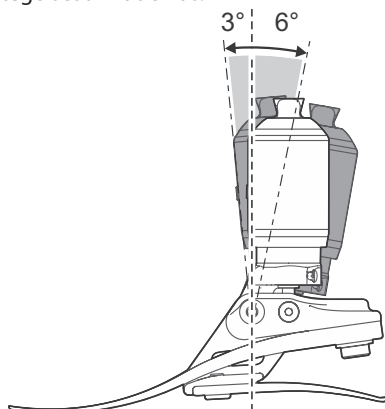


Tilpas transfemorale anordninger i henhold til tilpasningsanvisningerne, der følger med knæprotesen.

Bibehold bygge linjen mellem drejetapperne, som vist, ved brug af udstyr til skift- og/eller hældning efter behov.

Indstilling af hældning

Tilpas protesen, indtil det viste bevægelsesområde nås.



Skær skinnebensrøret til omtrentlig længde, og bevar 10-15 mm til den endelige finjustering.

Bemærk: Længden på prøveskabelonen vil typisk være 10 mm for at give mulighed for kompression af hæl, tå og fjeder i længderetningen (aksialt).

Tilpas med skoen på og fodprotesen helt plantarflekteret.

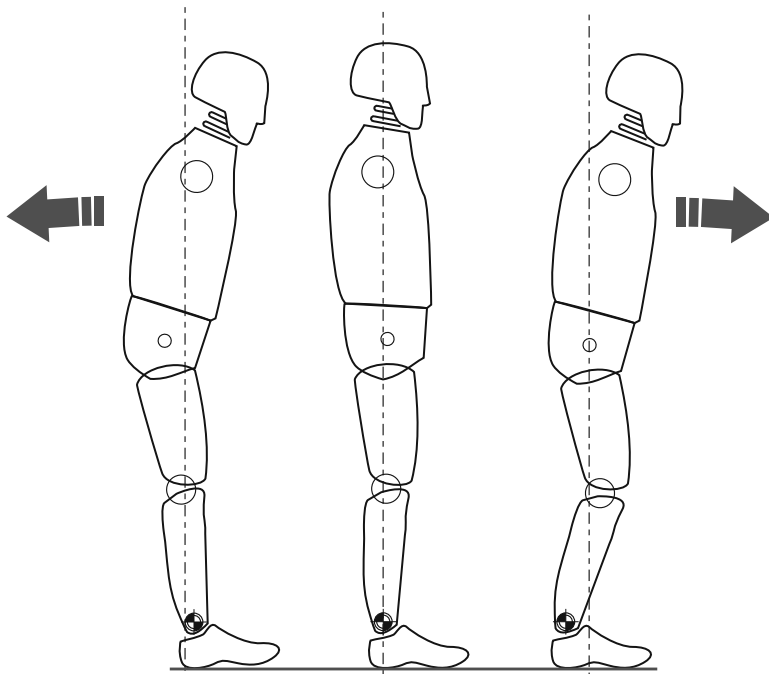
7.2 Biomimetisk tilpasning

Målet med justeringen er at opnå et "balancepunkt" i stående stilling og indstille det hydraulisk dæmpede bevægelsesområde. Målet med dæmpningsjusteringen er at finjustere stivhedsegenskaberne for ankel-fod-overrulning, indtil en behagelig gang opnås. På grund af det øgede bevægelsesområde som opnås med ankelprotesen, kan brugeren have behov for at have mere viljestyret kontrol, og kan opleve at ankelprotesen føles irriterende i starten. Dette bør hurtigt gå over, når en tilfredsstillende opsætning er fuldført.

Falder bagover = [hyperekstension]
A-P-forskydning for langt fremad



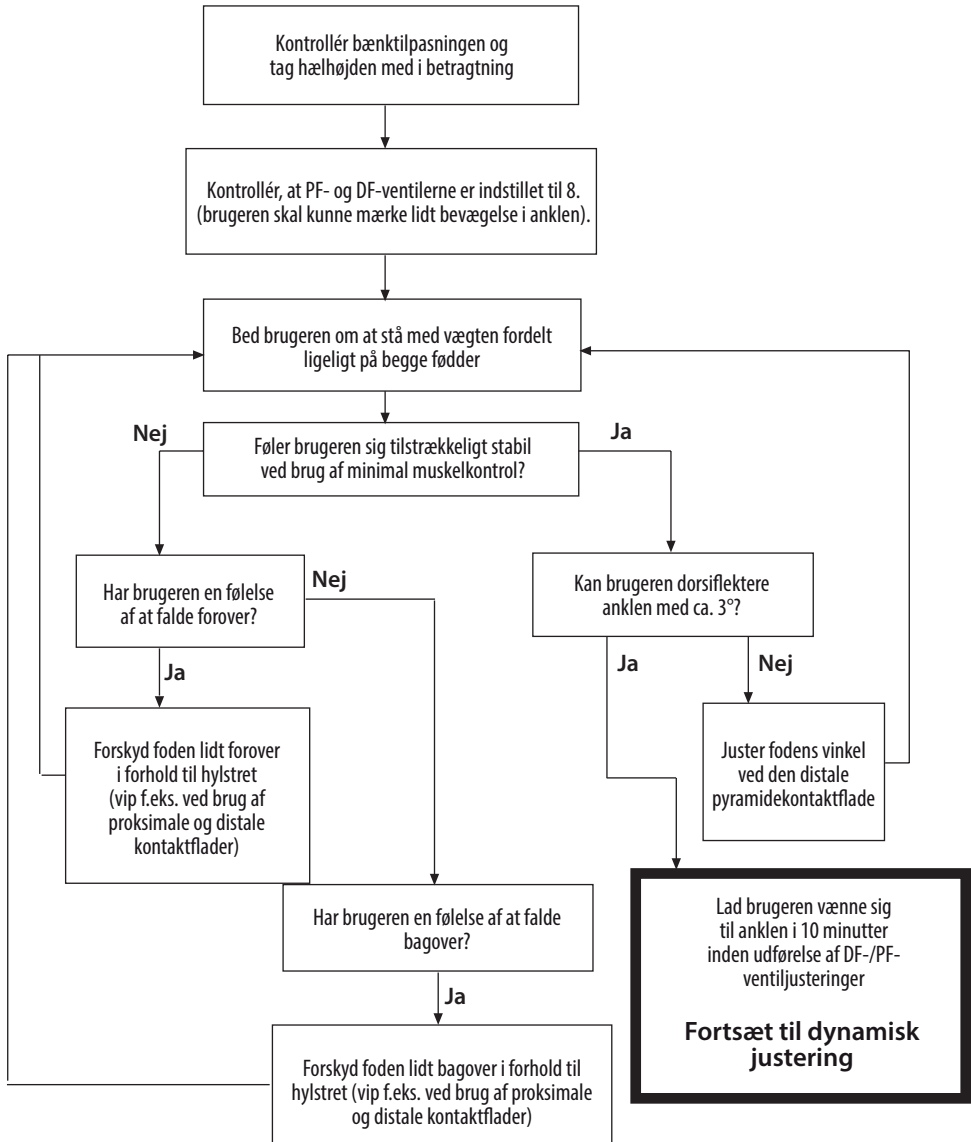
Falder forover = [hyperfleksion]
A-P-forskydning for langt bagud



Kontrollér, at brugeren er afslappet og ikke hviler på dorsifleksionsgrænsen.

7.3 Biomimetisk justering

Bemærk... Udfør statisk justering, og sørg for at brugeren har noget at støtte sig til, f.eks. parallelle bærer. Dette er udelukkende stående justering.



Brug forskydning til statisk tilpasning og stående stilling.

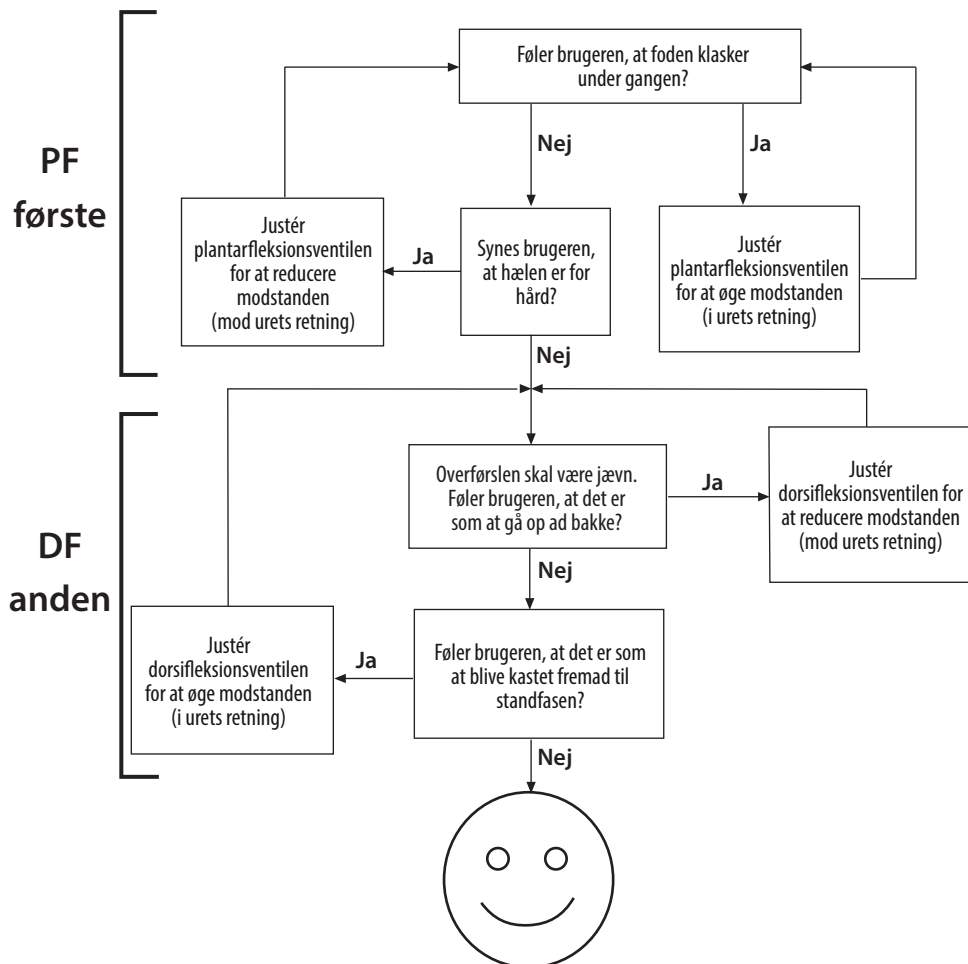
Anordningen skal opfordre til en vis grad af selvjustering for at opnå en følelse af balance, når brugeren står op.

7.4 Dynamisk justering

Justering af de hydrauliske ventiler

Brugeren skal opleve, at anklen bevæger sig i takt med kroppen gennem gangcyklussen.

Brugeren skal ikke bruge kræfter på at overkomme ankens hydrauliske modstand.



Vejledning

Efter dynamisk justering skal fod-/ankelprotesen afprøves på ramper og trapper. Kontrollér, at brugeren føler sig godt tilpas med typen af terræn, som vedkommende normalt kan forvente at gå på. Hvis brugeren rapporterer om problemer med komfort, brugbarhed eller ankens bevægelsesområde, skal den justeres derefter.

8 Rådgivning vedrørende tilpasning

Korrekt justering (A-P-position), bevægelsesområde (fordeling af plantarfleksion og dorsifleksion) og justering af hydrauliske indstillinger er afgørende for at opnå jævn overrulning og korrekt hældningstilpasning (se Afsnit 7.3 *Biomimetisk justering*).

Anordningens aksiale fjedre er designet til at arbejde sammen med hæl- og tåfjedrene og sørge for jævn fremføring for de fleste brugere. Den aksiale fjeder styrer både kompressions- og modstandsdygtighed over for vrid, og den typiske aksiale bevægelse skal være mellem 3-6 mm for normal gang.

Anordningen kan fås med 4 forskellige grader af aksiale fjedre (se afsnit 1 for yderligere oplysninger).

Lad brugeren få lidt tid til at vænne sig til startopsætningen.

Hvis du bliver ved med at have problemer med funktionen, efter du har fulgt anvisningerne, bedes du kontakte salgsteamet i dit område for at få rådgivning.

Det følgende vil have negativ effekt på funktion og stabilitet:


- Forkert valg af fjeder
- Forkert justering af A-P-forskydning
- Forkert fordeling af området for plantarfleksion og dorsifleksion

	<i>Symptomer</i>	<i>Afhjælpning</i>
1.	<ul style="list-style-type: none">• Nedsynkning ved hælisæt• Vanskeligheder med at opnå jævn fremføring til standfase• Brugeren føler, at vedkommende går op ad bakke, eller forfoden føles for lang	<ul style="list-style-type: none">• Forøg plantarfleksionsmodstanden• Kontrollér justeringen af A-P-forskydning. Sørg for, at foden ikke er placeret for anteriort• Kontrollér fordelingen af plantar- og dorsifleksionsbevægelse. Sørg for, at plantarfleksionsområdet ikke er for stort• Kontrollér, at fjederkategorien ikke er for blød. Hvis det er tilfældet, skal en fjeder med højere grad anvendes
2	<ul style="list-style-type: none">• Fremføring fra hælisæt til standfase sker for hurtigt• Vanskeligheder med at kontrollere energireturneringen fra fodprotesen under hælisættet (nedsat knæstabilitet)• Brugeren føler, at hælen er for hård, og at forfoden er for kort	<ul style="list-style-type: none">• Formindsk plantarfleksionsmodstanden• Kontrollér justeringen af A-P-forskydning. Sørg for, at foden ikke er placeret for posterior• Kontrollér fordelingen af plantar- og dorsifleksionsbevægelse. Sørg for, at plantarfleksionsområdet er tilstrækkeligt stort• Kontrollér, at fjederkategorien ikke er for høj i forhold til brugerens vægt og aktivitet. Hvis det er tilfældet, skal en fjeder med lavere grad anvendes

	<i>Symptomer</i>	<i>Afhjælpning</i>
3.	<p>Hælkontakt og fremføring føles OK, men:</p> <ul style="list-style-type: none"> • Forfoden føles for blød • Forfoden føles for kort • Brugeren føler, at han eller hun går <i>ned</i> ad bakke, muligvis med nedsat knæstabilitet • Mangel på energireturnering 	<ul style="list-style-type: none"> • Forøg dorsifleksionsmodstanden • Kontrollér justeringen af A-P-forskydning. Sørg for, at foden ikke er placeret for posteriort • Kontrollér fordelingen af plantar- og dorsifleksionsbevægelse. Sørg for, at plantarfleksionsområdet ikke er for stort • Kontrollér, at fjederkategorien ikke er for blød i forhold til brugerens vægt og aktivitet. Hvis det er tilfældet, skal en fjeder med højere grad anvendes
4.	<p>Hælkontakt og fremføring føles OK, men:</p> <ul style="list-style-type: none"> • Forfoden føles for stiv • Forfoden føles for lang • Det føles som at gå op ad bakke 	<ul style="list-style-type: none"> • Formindsk dorsifleksionsmodstanden • Kontrollér justeringen af A-P-forskydning. Sørg for, at foden ikke er placeret for anteriort • Kontrollér fordelingen af plantar- og dorsifleksionsbevægelse. Sørg for, at plantarfleksionsområdet er tilstrækkeligt stort • Kontrollér, at fjederkategorien ikke er for høj i forhold til brugerens vægt og aktivitet. Hvis det er tilfældet, skal en fjeder med lavere grad anvendes

9 Anvisninger til vedligeholdelse

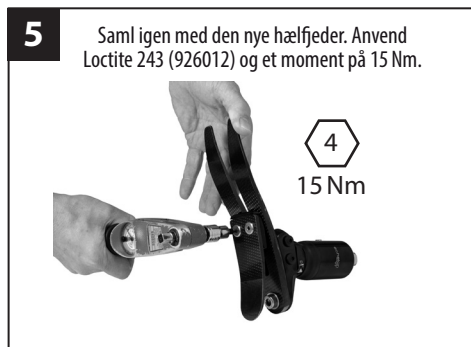
 Vær til enhver tid opmærksom på risikoen for at få fingrene i klemme.

 Anvend altid passende sundheds- og sikkerhedsudstyr, herunder afmonteringsudstyr.

9.1 Aftagning af fodskal



9.2 Udskiftning af hæl- og tåfeder



7

Hvis skumkosmetik skal påsættes, skal fodskallens øverste flade gøres ru for at skabe en ideel bindingsoverflade.

**8**

Påfør smørelse på tåen og hælen, hvis det er nødvendigt.
(Fodskallen er blevet smurt på forhånd).

**9**

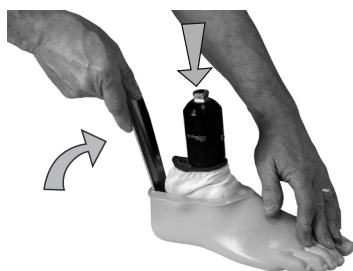
Placering af tåfjeder i fodskal.

10

Anvend en passende løfteanordning til at få hælfjederen på plads i fodskallen.

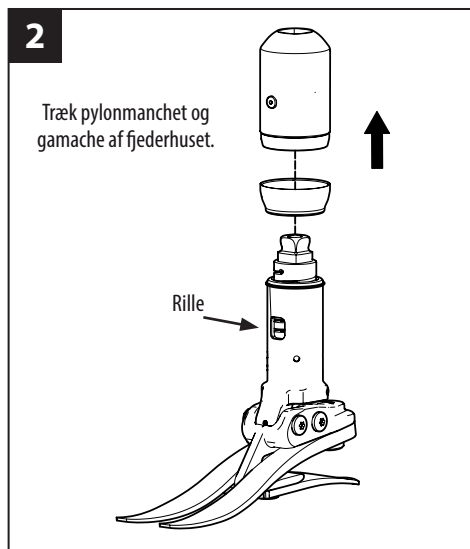
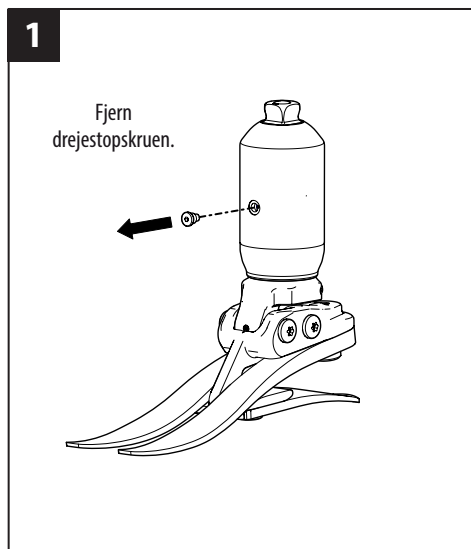
**11**

Sørg for, at hælfjederen sidder fast i rillen.



Kontakt Blatchford salgsteamet, hvis der er behov for kosmetisk overflade.

9.3 Pylonmanchet



Rengør og smør den bærende overflade igen.

Anvend Sapphire Endure (928015) eller tilsvarende PTFE-smørelse til påføring.

9.3.1 Montér igen

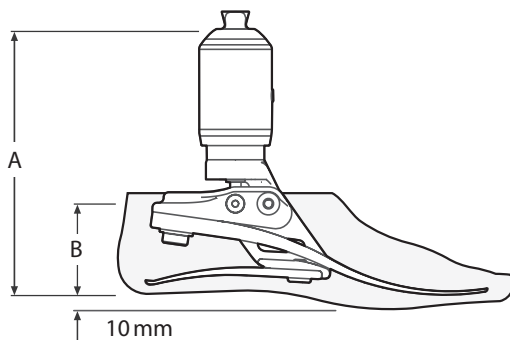
Kontrollér, at drejestopskruen flugter med rillen i pylonen; påfør Loctite 243 og stram til.

Erstatning for gamache tilgængelig Delnr. 534003

10 Tekniske data

Temperaturområde for betjening og opbevaring:	-15°C til 50°C
Komponentvægt (størrelse 26N):	1,05 kg
Anbefalet aktivitetsniveau:	3
Brugerens maksimale vægt:	125 kg
Størrelser:	22 til 30 cm
Proksimal justeringsdel:	Han-pyramide (Blatchford) +/- 7°
Område for ankelbevægelse	6° plantar- til 3° dorsifleksion
Maksimal drejning:	+/- 15°
Typisk aksial bevægelse:	3- 6 mm [maksimum 10 mm]
Byggeøjde:*	22 cm - 24 cm 168 mm 25 cm - 26 cm 173 mm 27 cm - 30 cm 178 mm
Hælhøjde	10 mm

Tilpasset længde



Størrelse	A
22-24	168 mm
25-26	173 mm
27-30	178 mm

Størrelse	B
22-26	65 mm
27-28	70 mm
29-30	75 mm

11 Bestillingsoplysninger

Bestillingseksempel:

ECVT	25	L	N	3	2	S
	Størrelse	Side (L/R)	Bredde* (N/W) (venstre/højre)	Fjedersæt- kategori	Aksial fjeder	Sandaltå

Fås fra størrelse 22
til størrelse 30:
ECVT22L11S til ECVT30R84S
ECVT22L11SD til ECVT30R84SD

*Kun størrelse 25-28. Brug ikke feltet Bredde til alle andre størrelser.

(Tilføj 'D' for fodskal i mørk tone)

f.eks. ECVT25LN12S, ECVT22R34S, ECVT27RW33SD

Fjedersæt				
Grad	Fodstørrelser			
	Lille (S)	Medium (M)	Stor (L)	Ekstra stor (XL)
	22-24	25-26	27-28	29-30
Sæt 1	539801S	539810S	539819S	539828S
Sæt 2	539802S	539811S	539820S	539829S
Sæt 3	539803S	539812S	539821S	539830S
Sæt 4	539804S	539813S	539822S	539831S
Sæt 5	539805S	539814S	539823S	539832S
Sæt 6	539806S	539815S	539824S	539833S
Sæt 7	539807S	539816S	539825S	539834S
Sæt 8	539808S	539817S	539826S	539835S

Fodskal (Tilføj 'D' for mørk (dark))		
Størrelse/ side	Smal	Bred
22L	539038S	-
22R	539039S	-
23L	539040S	-
23R	539041S	-
24L	539042S	-
24R	539043S	-
25L	539044SN	539044SW
25R	539045SN	539045SW
26L	539046SN	539046SW
26R	539047SN	539047SW
27L	539048SN	539048SW
27R	539049SN	539049SW
28L	539050SN	539050SW
28R	539051SN	539051SW
29L	-	539052S
29R	-	539053S
30L	-	539054S
30R	-	539055S

Vare	Delnr.
Glidesok (størrelse 22-26)	531011
Glidesok (størrelse 27-30)	532811
DF/PF-justeringsnøgle, 4 A/F unbrakonøgle	940236
Gamache	534003
Rotationsstopskrue	534005

Ansvar

Producenten anbefaler, at anordningen udelukkende bruges under de specificerede forhold og til de tilsigtede formål. Anordningen skal vedligeholdes i henhold til brugsanvisningen, der følger med anordningen. Producenten er ikke ansvarlig for ethvert negativt resultat, som er forårsaget af komponentkombinationer, der ikke er godkendt af producenten.

CE-overensstemmelse

Dette produkt opfylder kravene i den Europæiske forordning EU 2017/745 for medicinsk udstyr. Dette produkt er klassificeret som klasse I-udstyr i henhold til klassificeringskriterierne, der er beskrevet i bilag VIII til forordningen. Certifikatet for EU-overensstemmelseserklæringen er tilgængeligt på følgende internetadresse: www.blatchford.co.uk



Medicinsk udstyr



Enkelt patient – flergangsbrug

Kompatibilitet

Kombination med Blatchford-mærkevarer er godkendt baseret på testning i overensstemmelse med relevante standarder og direktivet om medicinsk udstyr, herunder strukturel test, dimensionskompatibilitet og monitoreret feltpræstation.

Kombination med alternative CE-mærkede produkter skal udføres på grundlag af en dokumenteret lokal risikovurdering udført af en praktiserende læge.

Garanti

Der ydes 36 måneders garanti på anordningen – 12 måneder på fodskallen – 3 måneder på glidesokken. Brugeren skal være opmærksom på, at ændringer eller modifikationer, der ikke udtrykkeligt er godkendt, kan annullere garantien, driftslicenser og undtagelser. Besøg Blatchford-webstedet for at se den aktuelle fulde garantierklæring.

Rapportering af alvorlige hændelser

I det usandsynlige tilfælde, at der opstår en alvorlig hændelse i forbindelse med denne anordning, skal den rapporteres til producenten og den nationale tilsynsmyndighed.

Miljømæssige aspekter

Hvor det er muligt, skal komponenterne genbruges i overensstemmelse med lokale regler for affaldshåndtering.

Opbevaring af emballagens etiket

Du rådes til at opbevare emballagens etiket som en fortegnelse over den leverede anordning.

Anerkendelse af varemærket

Echelon og Blatchford er registrerede varemærker tilhørende Blatchford Products Limited.

Producentens registrerede adresse



Blatchford Products Limited, Lister Road, Basingstoke RG22 4AH, Storbritannien.

Innhold.....	40
1 Beskrivelse og tiltenkt formål	41
2 Sikkerhetsinformasjon.....	43
3 Konstruksjon	44
4 Funksjon	45
5 Vedlikehold.....	45
6 Begrensninger i bruken	46
7 Benkeoppretting	47
7.1 Statisk oppretting	47
7.2 Biomimetisk oppretting.....	48
7.3 Biomimetisk justering.....	49
7.4 Dynamisk justering.....	50
8 Råd om passform	51
9 Vedlikeholdsinstruksjoner	53
9.1 Fjerning av fotkosmetikk.....	53
9.2 Utskifting av hæl- og tåfjærer.....	53
9.3 Pylonhylse.....	55
10 Tekniske data	56
11 Bestillingsinformasjon.....	57

1 Beskrivelse og tiltenkt formål

Disse instruksjonene er for legen.

Begrepet enhet brukes i hele dette dokumentet for å referere til EchelonVT.

Bruksområde

Enheden skal utelukkende brukes som en del av en protese for nedre ekstremiteter.

Beregnet for en enkelt bruker.

Denne enheten gir begrenset selvjustering av protesen i variert terreng og etter endring av fottøy. Den er ment å forbedre postural sving og symmetri, samtidig som det lindrer unormalt trykk på kontaktflaten. Enheden inkluderer også et fjærelement som er i stand til å absorbere aksial- og rotasjonsstøt ment for å redusere store påkjenninger ved rest-/sokkelgrensesnittet.

Aktivitetsnivå

Denne enheten anbefales for brukere som har potensial til å oppnå aktivitetsnivå 3, og som kan ha fordel av økt stabilitet og føle seg sikrere på ujevne overflater. Den ekstra støtdempingen og energireturen som gis av aksialfjæren har som formål å forbedre komfort og ytelse.

Det er unntak, og i anbefalingen vår ønsker vi å gi rom for unike, individuelle omstendigheter. Det kan også være et antall brukere i Aktivitetsnivåene 2 og 4* som kan ha nytte av den forbedrede stabiliteten fra enheten, men denne beslutningen bør tas med en grundig begrunnelse.

Aktivitetsnivå 1

Har evnen eller potensialet til å bruke protese for å reise seg eller sette seg ned, eller forflytte seg på jevne overflater med fast skritthastighet. Typisk for den begrensede og ubegrensede ambulatoren.

Aktivitetsnivå 2

Har evnen eller potensialet for ambulering med evnen til å gå på lave miljøbarrierer slik som fortauskanter, trapper eller ujevne overflater. Typisk for begrenset omreiser.

Aktivitetsnivå 3

Har evnen eller potensialet for ambulering med variabel kadens.

Typisk for den begrensede omreisende som har evnen til å krysse de fleste miljøbarrierer og kan ha yrkesaktiv, terapeutisk eller treningsaktivitet som krever protetisk utnyttelse utover enkel bevegelse.

Aktivitetsnivå 4

Har evnen eller potensialet for protetisk ambulering som overgår grunnleggende ambuleringsferdigheter, og viser høyt nivå av motstandsdyktighet, spenning og energi. Typisk for protesebrakene hos et barn, en aktiv voksen eller konkurranseutøvere.

(*Maksimal brukervekt er 100 kg, og det skal alltid brukes en hardere fjær enn vist i tabellen for fjærsett.)

Kontraindikasjoner

Denne enheten er kanskje ikke egnet for personer på nivå 1 eller brukere som deltar i konkurranseidrett. Dette skyldes at disse brukerne kan ha bedre nytte av en spesialdesignet protese som er optimalisert for deres behov.

Forsikre deg om at brukeren har forstått alle bruksanvisningene, og brukeren må være særlig oppmerksom på avsnittet om vedlikehold.

Kliniske fordeler

- Økt bakkeklaring reduserer risikoen for snubling og fall
- Forbedret balanse gjennom selvjustering
- Forbedret bakkegrep i helninger
- Forbedret kinetisk symmetri
- Redusert belastning på protesestumpen
- Redusert belastningshastighet på protesestumpen
- Reduserte rygg smerter ved vridning
- Økt ganghastighet

Utvalg av fjærsett

Aktivitetsnivå 3

44-52	53-59	60-68	69-77	78-88	89-100	101-116	117-125	kg	Brukervekt
1	2	3	4	5	6	7	8		Fotfjærsett
	●	●●		●●●		●●●●			Aksial
1		2		3		4			støtdemper
									fjærhastighet

Merk... Hvis du er i tvil om å velge mellom to kategorier, velger du fjærsettet med hardest fjær. Anbefalinger for fotfjærsett er for transtibiale brukere.

For transfemorale brukere foreslår vi at du velger et fjærsett i en lavere kategori. Se Avsnitt 8 *Råd om passform* for å sikre tilfredsstillende funksjon og bevegelsesområde.

2 Sikkerhetsinformasjon



Dette advarselssymbolet fremhever viktig sikkerhetsinformasjon som må følges nøye.



Eventuelle endringer i ytelsen eller funksjonen til protesen, f.eks. begrenset bevegelse, ujevn bevegelse eller uvanlige lyder skal umiddelbart rapporteres til tjenesteleverandøren.



Bruk alltid et rekkverk når du går ned trapper og når som helst ellers hvis det er tilgjengelig.



Enheten er ikke egnet for ekstrem sport, løping eller sykling, vinteridrett, svært bratte bakker/løyper og trappetrinn. Alle slike aktiviteter utføres helt og holdent på brukerens egen risiko. Rekreasjonssykling er akseptabelt.



Montering, vedlikehold og reparasjon av enheten må bare utføres av en kvalifisert kliniker.



Brukeren bør kontakte klinikerens hvis tilstanden endrer seg.



Forsikre deg om at bare kjøretøyer med passende ettermontering brukes når du kjører. Alle personer må overholde gjeldende vegtrafikklover når de bruker motorvogner.



For å minimere risikoen for å gli og snuble, må passende fottøy som passer sikkert på fotkosmetikken brukes til enhver tid.



Etter vedvarende bruk kan ankelhuset bli varmt å ta på.



Unngå eksponering mot ekstrem varme og/eller kulde.



Brukeren må ikke justere eller tukle med monteringen av enheten.

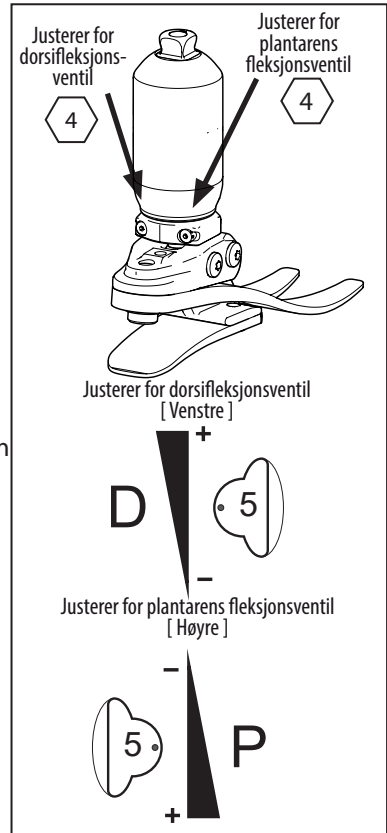
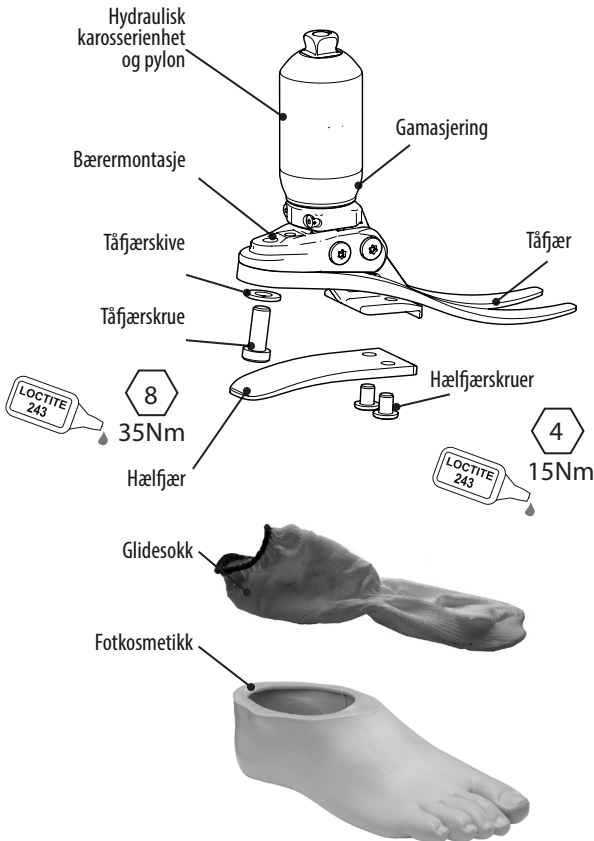


Vær alltid oppmerksom på fingerfellefare.

3 Konstruksjon

Viktigste deler

- Hydraulisk karosserienhet og pylon (aluminium / rustfritt stål/titan)
- Bæremontasje (aluminium / rustfritt stål)
- Hæl- og tåfjærer (e-karbon)
- Fjærfesteskruer (titan / rustfritt stål / titan)
- Glidesokk (UHM PE)
- Fotkosmetikk (PU)



4 Funksjon

Enheten omfatter en hydraulisk karosserienhet som inneholder justerbare hydrauliske ventiler. Ventilene kan justeres uavhengig for å øke og redusere hydraulisk motstand for plantarfleksjon og dorsifleksjon.

Den proksimale delen av den hydraulisk karosserienhet inneholder en fjærkomponent som gjør at pyramidrøret kan avbøyes og/eller roteres gjennom et begrenset område under en aksial og/eller vridbar belastning. Når belastningen fjernes, går fjæren tilbake til sin opprinnelige posisjon. Effekten av denne bevegelsen er å dempe eventuelle støtkrefter som ellers ville blitt overført til rest-/sokkelgrensesnittet både i aksial- og rotasjonsretning.

Den hydrauliske karosserienheten er koblet til en bæremontasje via to svingstifter. Hæl- og tåfjærer er festet til bæreren ved hjelp av titan- og rustfrie stålskruer. Foten er pakket inn i en UHM PE-sokk som igjen er gitt av en PU-fotkosmetikk.

5 Vedlikehold

Vedlikehold må utføres av kompetent personell.

Det anbefales at følgende vedlikehold utføres årlig:

- Se etter visuelle feil som kan påvirke riktig funksjon
- Rengjør og smør bæreoeverflaten på nytt Bruk Sapphire Endure (928015) eller tilsvarende PTFE-lastet fett (se Avsnitt 9 *Vedlikeholdsinstruksjoner*).
- Fjern fotkosmetikken og glidesokken, sjekk for skader eller slitasje og erstatt om nødvendig.
- Kontroller at alle skruer er strammet til, rengjør og sett sammen på nytt om nødvendig.
- Kontroller visuelt hæl- og tåfjærene for tegn på delaminering eller slitasje og erstatt om nødvendig. Noen overflateskader kan oppstå etter en tids bruk, dette påvirker ikke fotens funksjon eller styrke.

Eventuelle endringer i ytelsen til denne enheten må rapporteres til legen. Endringer i ytelse kan omfatte:

- Økning i ankelstivhet
- Endringer i aksial eller vridningsstivhet
- Nedsatt ankelstøtte (fri bevegelse)
- Oppmykning av fjærer
- Overdreven slark i lagrene
- Eventuelle uvanlige lyder

Brukeren bør informeres om å kontakte legen sin hvis tilstanden endrer seg.

Legen må også informeres om endringer i kroppsvekt og/eller aktivitetsnivå.

Brukeren bør informeres om at en regelmessig visuell sjekk av foten anbefales, tegn på slitasje som kan påvirke funksjonen skal rapporteres til leverandøren (f.eks. betydelig slitasje eller overdreven misfarging ved langvarig eksponering for UV).

Rengjøring

Bruk en fuktig klut og mild såpe for å rengjøre overflater. Ikke bruk aggressive rengjøringsmidler.

6 Begrensninger i bruken

Tiltenkt levetid:

En lokal risikovurdering bør utføres basert på aktivitet og bruk.

Løftebelastninger:

Brukervekt og aktivitet styres av de angitte grensene.

Lastbæring av brukeren skal være basert på en lokal risikovurdering.

Omgivelser:

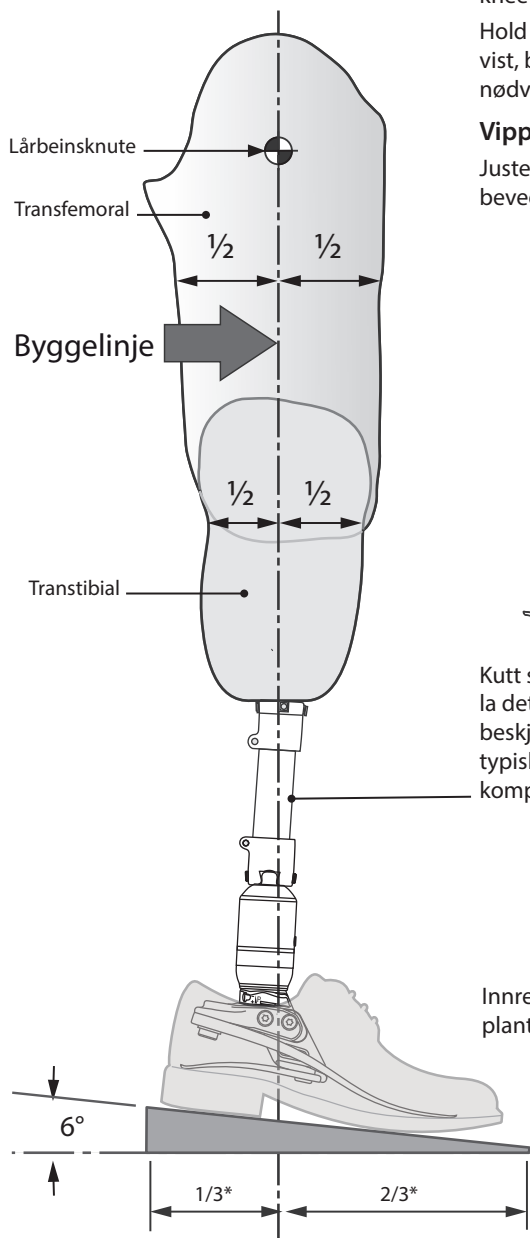
Unngå å utsette enheten for etsende elementer som vann, syrer og andre væsker. Unngå også slipende miljøer som for eksempel inneholder sand, fordi dette kan føre til for tidlig slitasje.

Eksklusivt for bruk mellom -15 °C og 50 °C.



7 Benkeoppretting

7.1 Statisk oppretting

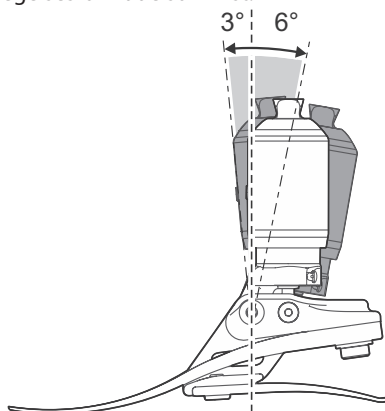


Juster transfemorale enheter i henhold til instruksjonene for passform som følger med kneet.

Hold byggelinjen mellom svinghengsler som vist, bruk skift- og/eller vippeenheter om nødvendig.

Vippeinnstilling

Juster protesen for å oppnå bevegelsesrområde som vist.



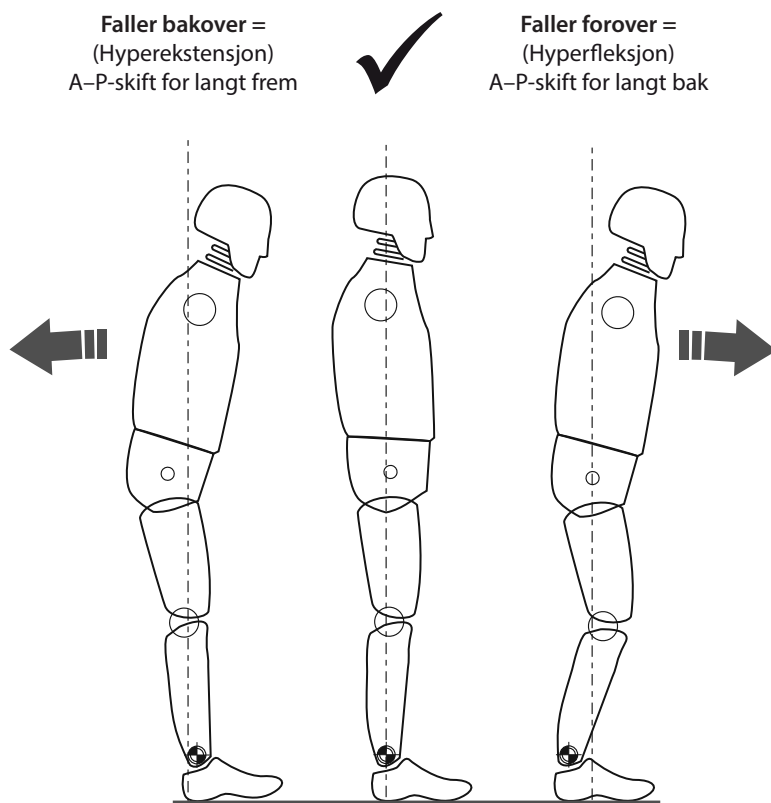
Kutt skinnebeinet til tilnærmet lengde, og la det være igjen 10–15 mm for endelig beskjæring. **Merk:** prøvelengden omfatter typisk 10 mm for å muliggjøre aksial kompresjon av hæl, tå og fjær (aksial).

Innrett med skoen på og foten fullstendig plantarfleksjonert

*Omtrentlig forhold

7.2 Biomimetisk oppretting

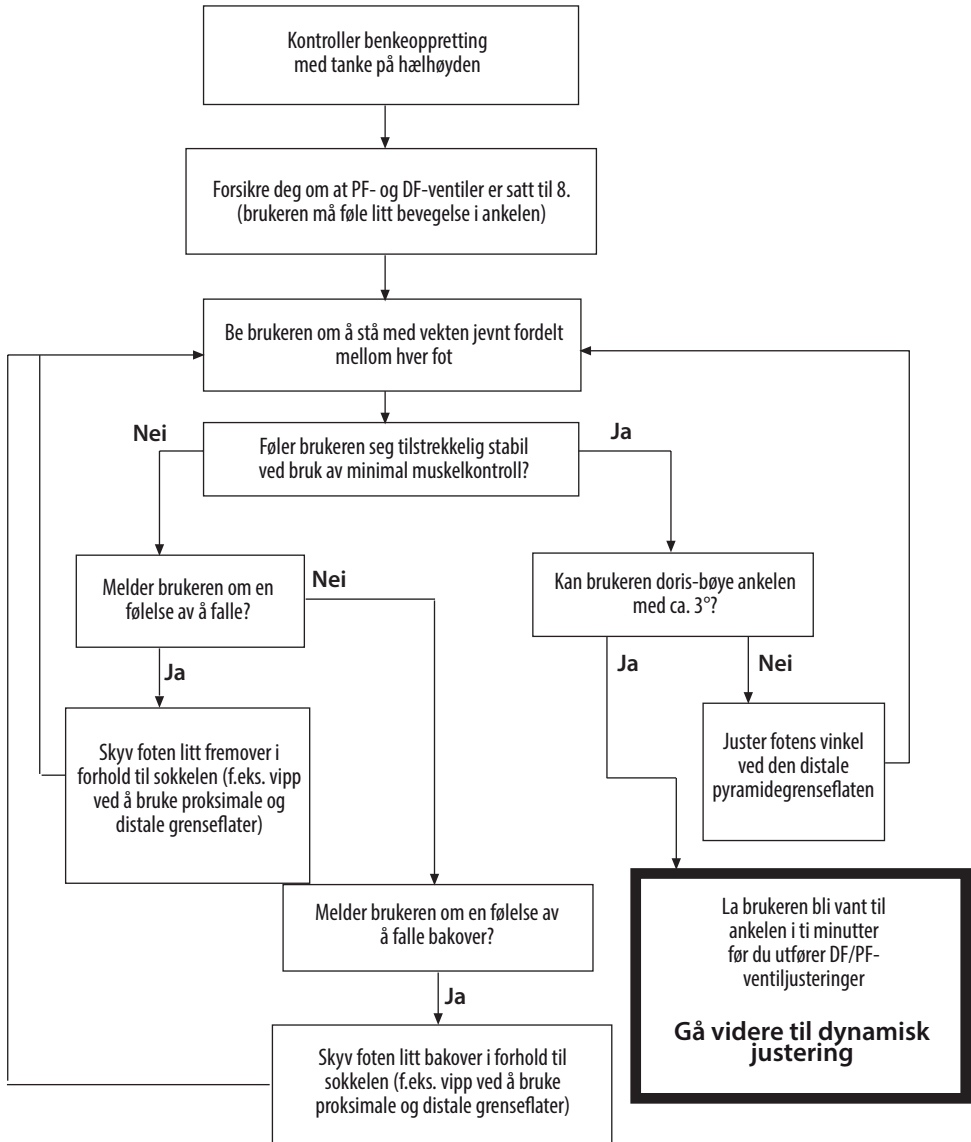
Målet med justeringen er å oppnå et «balansepunkt» mens du står og setter det hydraulisk dempede bevegelsesområdet. Målet med dempingsjustering er å finjustere ankelfotens rullestivhetskarakteristikker til en behagelig gangart oppnås. På grunn av det økte bevegelsesområdet som ankelen gir, kan brukeren få behov for mer frivillig kontroll og innledningsvis oppleve ankelen som forvirrende under oppsettet. Dette skal raskt gå over etter at oppsettet er fullført tilfredsstillende.



Forsikre deg om at brukeren er avslappet og ikke hviler på dorsifleksjonsgrensen.

7.3 Biomimetisk justering

Merk... Gjennomfør statisk justering samtidig som du sikrer at brukeren har hjelpemidler, f.eks. parallelle stenger. Dette er bare stående justering.



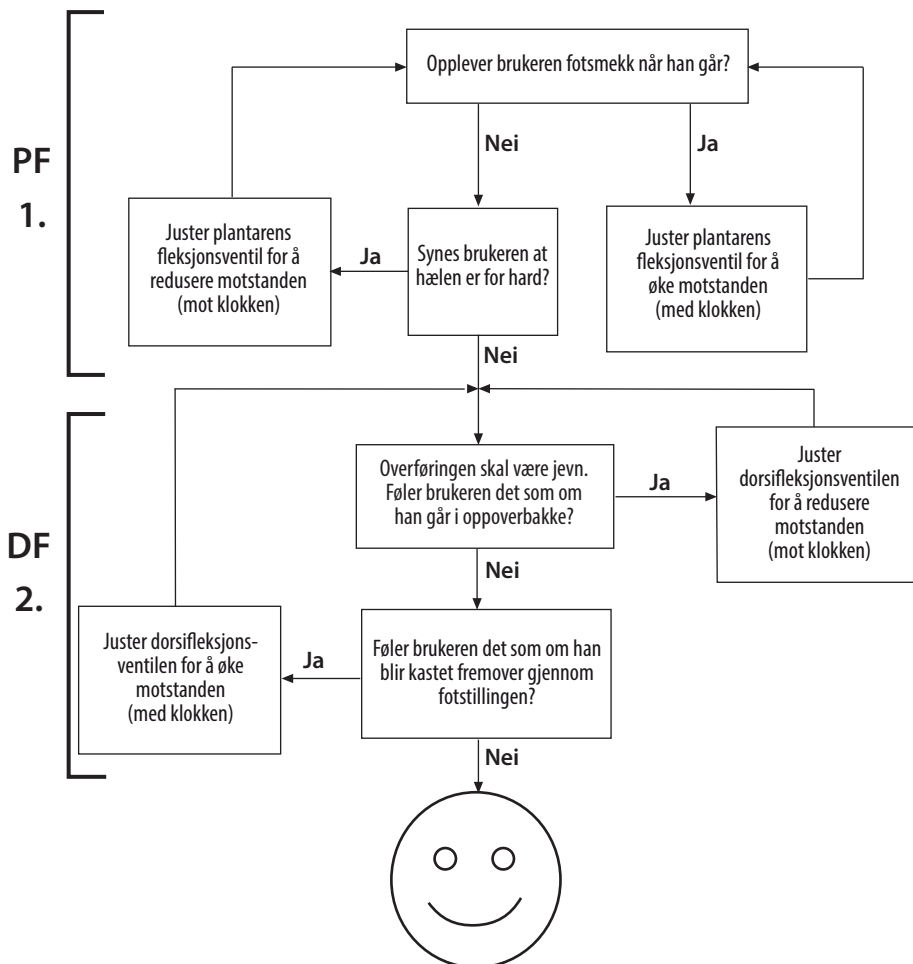
Bruk skift for statisk justering og stående stilling.

Enheter bør oppmuntre til en viss grad av selvjustering for at brukeren skal oppnå en følelse av balanse i stående stilling.

7.4 Dynamisk justering

Justering av hydraulikkventilene

Brukeren skal kjenne at ankelen beveger seg med kroppen gjennom gangsyklusen. Det skal ikke gjøres noen anstrengelser fra brukeren for å få bukt med den hydrauliske motstanden til ankelen.



Veiledning

Prøv foten/ankelen på ramper og trapper etter den dynamiske justeringen. Forsikre deg om at brukeren er komfortabel med det terrenget han/hun normalt kan forventes å ferdes i. Hvis brukeren rapporterer problemer med komfort, brukervennlighet eller bevegelsesområdet for ankelen, må du justere deretter.

8 Råd om passform

Riktig justering (A–P-stilling), bevegelsesområde (fordeling av plantarfleksjon til dorsifleksjon) og justering av de hydrauliske innstillingene er avgjørende for å oppnå en jevn rullering og riktig helningstilpasning (se Avsnitt 7.3 *Biomimetisk justering*).

Enhetens aksialfjær er designet for å fungere sammen med hæl- og tåfjærene for å gi jevn progresjon for de fleste brukere. Den aksiale fjæren styrer både kompresjons- og vridbarhetselastisitet, og typisk aksial bevegelse skal være mellom 3–6 mm for normal gange.

Enheten er tilgjengelig med et utvalg av 4 aksiale fjærhastigheter (se avsnitt 1 for detaljer).

Gi brukeren litt tid til å bli kjent med det første oppsettet.

Hvis du fortsatt har problemer med funksjonen etter å ha fulgt instruksjonene nedenfor, kan du kontakte salgsteamet i ditt område for råd.

Det følgende har en negativ innvirkning på funksjon og stabilitet:

- Feil valg av fjær
- Feil A–P-skiftjustering
- Feil fordeling av område for plantarfleksjon og dorsifleksjon

	<i>Symptomer</i>	<i>Løsning</i>
1.	<ul style="list-style-type: none">• Synker ved hælkontakt• Vanskeligheter med å oppnå en jevn progresjon til midtstilling• Brukeren føler det som om han går i oppoverbakke eller at forføttene føles for lange	<ul style="list-style-type: none">• Øk plantarens fleksjonsmotstand• Kontroller A–P-skiftjustering og forsikre deg om at foten ikke er plassert for langt frem• Kontroller fordelingen av plantarfleksjons- og dorsifleksjonsbevegelse og sørg for at plantefleksjonsområdet ikke er for høyt• Kontroller at fjærkategorien ikke er for myk. Tilpass i så fall en hardere fjær
2.	<ul style="list-style-type: none">• Progresjonen fra hælkontakt til midtstilling er for rask• Vanskeligheter med å kontrollere energireturen fra foten ved hælkontakt (reduert stabilitet i kneet)• Brukeren føler hælen er for hard, forfoten er for kort	<ul style="list-style-type: none">• Redusere plantarens fleksjonsmotstand• Kontroller A–P-skiftjustering og forsikre deg om at foten ikke er plassert for langt bak• Kontroller fordelingen av plantarfleksjons- og dorsifleksjonsbevegelse og sørg for at plantarfleksjonsområdet er tilstrekkelig• Kontroller at fjærkategorien ikke er for høy for vekten og aktiviteten til brukeren. Tilpass i så fall en mykere fjær

	<i>Symptomer</i>	<i>Løsning</i>
3.	<p>Hælkontakt og progresjon føles grei, men:</p> <ul style="list-style-type: none"> • Forfoten føles for myk • Forfoten føles for kort • Brukeren føler at de går i <i>nedoverbakke</i>, muligens med redusert stabilitet i kneet • Mangel på energiretur 	<ul style="list-style-type: none"> • Øke dorsifleksjonsmotstand • Kontroller A–P-skiftjustering og forsikre deg om at foten ikke er plassert for langt bak • Kontroller fordelingen av plantarfleksjons- og dorsifleksjonsbevegelse og sørg for at det ikke er for mye dorsifleksjonsområde • Kontroller at fjærkategorien ikke er for myk for vekten og aktiviteten til brukeren. Tilpass i så fall en hardere fjær
4.	<p>Hælkontakt og progresjon føles grei, men:</p> <ul style="list-style-type: none"> • Forfoten føles for stiv • Forfoten føles for lang • Føles som å gå i <i>oppoverbakke</i> 	<ul style="list-style-type: none"> • Reduser dorsifleksjonsmotstand • Kontroller A–P-skiftjustering og forsikre deg om at foten ikke er plassert for langt frem • Kontroller fordelingen av plantarfleksjons- og dorsifleksjonsbevegelse og sørg for at det er tilstrekkelig dorsifleksjonsområde • Kontroller at fjærkategorien ikke er for stiv for vekten og aktiviteten til brukeren. Tilpass i så fall en mykere fjær

9 Vedlikeholdsinstruksjoner

 **Vær alltid oppmerksom på fingerfellefare.**

 **Bruk passende helse- og sikkerhetsutstyr til enhver tid, inkludert avtrekksanlegg.**

9.1 Fjerning av fotkosmetikk



9.2 Utskifting av hæl- og tåfjærer



7

Hvis en skumkosmese skal tilpasses, skru opp overflaten på fotkosmetikken for å gi en ideell bindingsflate.

**8**

Smør tå og hæl om nødvendig.
(Fotkosmetikken er smurt på forhånd).

**9**

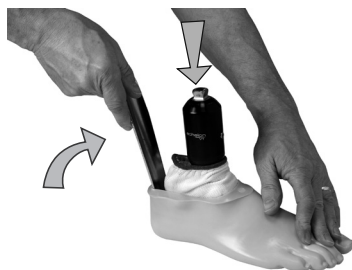
Tåfjærplassering i fotkosmetikk.

10

Bruk en passende spak for å hjelpe hælfjæren på plass i fotkosmetikken.

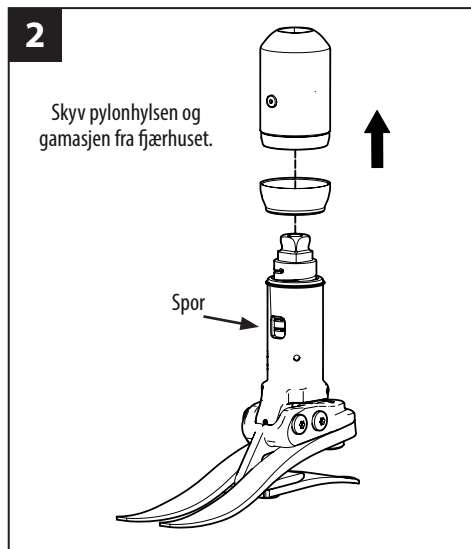
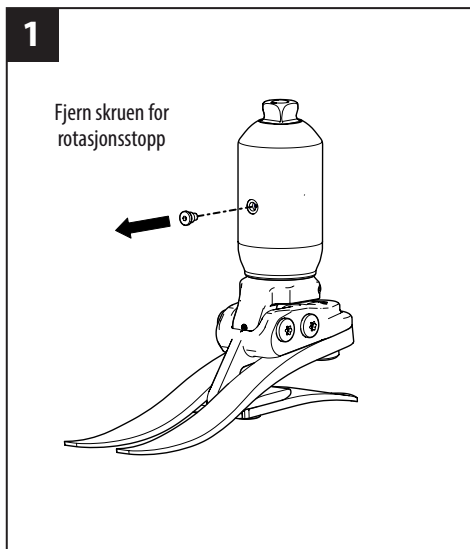
**11**

Forsikre deg om at hælfjæren er festet i sporet.



Hvis en kosmetisk finish er nødvendig, kan du kontakte et medlem av salgsteamet i Blatchford.

9.3 Pylonhylse



Rengjør og smør bæreoverflaten på nytt

Bruk Sapphire Endure (928015) eller tilsvarende PTFE-lastet fett.

9.3.1 Remontere

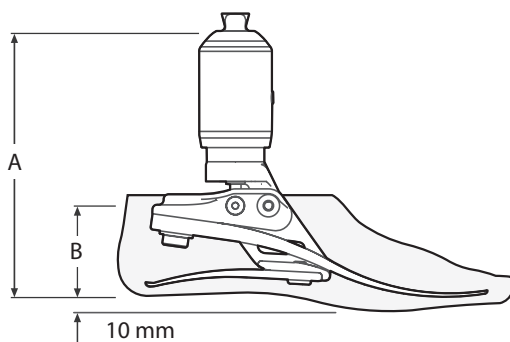
Påse at rotasjonsstoppskruen er på linje med sporet i pylonet, bruk Loctite 243 og stram til.

Erstatningsgamasje tilgjengelig Delenr. 534003

10 Tekniske data

Drift- og lagringstemperaturområde:	-15 °C til 50 °C
Komponentvekt (<i>Størrelse 26N</i>):	1,05 kg
Anbefalt aktivitetsnivå:	3
Maksimal brukervekt:	125 kg
Størrelser:	22 til 30 cm
Proksimal justeringsvedlegg:	Hannpyramide (Blatchford) +/- 7°
Område for ankelbevegelse:	6° plantar til 3° dorsifleksjon
Maksimal rotasjon:	+/- 15°
Typisk aksial bevegelse:	3–6 mm [maksimalt 10 mm]
Bygghøyde:*	22 cm–24 cm 168 mm 25 cm–26 cm 173 mm 27 cm–30 cm 178 mm
Hælhøyde:	10mm

Passformlengde



Størrelse	A
22–24	168 mm
25–26	173 mm
27–30	178 mm

Størrelse	B
22–26	65 mm
27–28	70 mm
29–30	75 mm

11 Bestillingsinformasjon

Bestillingseksempel:

ECVT	25	L	N	3	2	S
	Størrelse	Side	Bredde*	Fjærsettkategori	Aksialfjær	Sandaltå
		(L/R)	(N/W)			

Tilgjengelig fra
størrelse 22 til størrelse 30:
ECVT22L11S til ECVT30R84S
ECVT22L11SD til ECVT30R84SD

*Kun størrelser 25–28. Utelat bredde-feltet for alle andre størrelser. (legg til «D» for en mørktonet fotkosmetikk)

f.eks. ECVT25LN12S, ECVT22R34S, ECVT27RW33SD

Fjærsett				
Grad	Fotstørrelser			
	Liten (S)	Medium (M)	Stor (L)	Ekstra stor (XL)
	22–24	25–26	27–28	29–30
Sett 1	539801S	539810S	539819S	539828S
Sett 2	539802S	539811S	539820S	539829S
Sett 3	539803S	539812S	539821S	539830S
Sett 4	539804S	539813S	539822S	539831S
Sett 5	539805S	539814S	539823S	539832S
Sett 6	539806S	539815S	539824S	539833S
Sett 7	539807S	539816S	539825S	539834S
Sett 8	539808S	539817S	539826S	539835S

Fotkosmetikk (for mørk legg til «D»)		
Størrelse/ side	Smal	Bred
22L	539038S	-
22R	539039S	-
23L	539040S	-
23R	539041S	-
24L	539042S	-
24R	539043S	-
25L	539044SN	539044SW
25R	539045SN	539045SW
26L	539046SN	539046SW
26R	539047SN	539047SW
27L	539048SN	539048SW
27R	539049SN	539049SW
28L	539050SN	539050SW
28R	539051SN	539051SW
29L	-	539052S
29R	-	539053S
30L	-	539054S
30R	-	539055S

Produkt	Delendr.
Glidesokk (Størrelser 22–26)	531011
Glidesokk (Størrelser 27–30)	532811
DF/PF-justeringsnøkkel, 4 A/F-unbrako:	940236
Gamasje	534003
Skrue for rotasjonsstopp	534005

Erstatningsansvar

Produsenten anbefaler å bruke enheten bare under de angitte forholdene og til de tiltenkte formål. Enheten må vedlikeholdes i henhold til bruksanvisningen som følger med enheten. Produsenten er ikke ansvarlig for skadelige utfall forårsaket av komponentkombinasjoner som ikke ble autorisert av dem.

CE-samsvar

Dette produktet oppfyller kravene i EUs regelverk EU 2017/745 for medisinsk utstyr. Dette produktet er klassifisert som en klasse I-enhet i henhold til klassifiseringsreglene beskrevet i vedlegg VIII til forskriften. EU-samsvarserklæringen er tilgjengelig på følgende internettadresse: www.blatchford.co.uk



Medisinsk enhet



Enkelt pasient – flerbruk

Kompatibilitet

Kombinasjon med Blatchford-merkede produkter er godkjent basert på testing i samsvar med relevante standarder og MDR inkludert strukturell test, dimensjonell kompatibilitet og overvåket feltytelse.

Kombinasjon med alternative CE-merkede produkter må utføres med tanke på en dokumentert lokal risikovurdering utført av en utøver.

Garanti

Denne enheten har en garanti på 36 måneder – fotkosmetikken 12 måneder – glidesokken 3 måneder. Brukeren skal være klar over at endringer eller modifikasjoner som ikke uttrykkelig er godkjent, kan annullere garantien, driftslisensene og unntakene. Se nettstedet til Blatchford for gjeldende full garantierklæring.

Rapportering av alvorlige hendelser

I det usannsynlige tilfelle at det skulle oppstå en alvorlig hendelse relatert til denne enheten, skal den rapporteres til produsenten og din nasjonale kompetente myndighet.

Miljøaspekter

Der det er mulig, skal komponentene resirkuleres i samsvar med lokale forskrifter for avfallshåndtering.

Behold emballasjemerket

Det anbefales at du oppbevarer emballasjeetiketten som en oversikt over den medfølgende enheten.

Varemerkeanerkjennelser

Echelon og Blatchford er registrerte varemerker for Blatchford Products Limited.

Produsentens registrerte adresse

 Blatchford Products Limited, Lister Road, Basingstoke RG22 4AH, Storbritannia.

Sisällys	59
1 Kuvaus ja käyttötarkoitus	60
2 Turvallisuustietoja	62
3 Rakenne	63
4 Toiminta	64
5 Huolto	64
6 Käyttöä koskevat rajoitukset	65
7 Linjaus työpenkillä	66
7.1 Staattinen linjaus	66
7.2 Biomimeettinen linjaus	67
7.3 Biomimeettinen säätö	68
7.4 Dynaaminen säätö	69
8 Sovitusta koskevia ohjeita	70
9 Huolto-ohjeet	72
9.1 Kosmeettinen suojuksen irrotus	72
9.2 Kantapää- ja varvasjousen vaihto	72
9.3 Putkimansetti	74
10 Tekniset tiedot	75
11 Tilautiedot	76

1 Kuvaus ja käyttötarkoitus

Nämä käyttöohjeet on tarkoitettu proteesiteknikolle.

Termiä laite käytetään näissä ohjeissa puhuttaessa EchelonVT-jalkateräproteesista.

Käyttö

Laite on tarkoitettu käytettäväksi vain osana alaraajaproteesia.

Vain henkilökohtaiseen käyttöön.

Laite itse linjaa proteesia rajoitetusti erilaisissa maastoissa ja jalkineen vaihdon mukaan. Sen tarkoitus on parantaa asentohuojuntaa ja symmetriaa helpottaen samalla epänormaalia painetta holkin liitospinnalla. Laite sisältää myös aksiaalisia ja kiertoiskuja vaimentavan jousielementin, jonka tarkoitus on vähentää leikkausjännitystä tyngän/holkin kosketuspinnalla.

Aktiivisuustaso

Tämä laite on suositeltu henkilöille, jotka voivat saavuttaa aktiivisuustason 3 ja jotka voivat hyötyä parannetusta vakaudesta ja lisääntyneestä varmuudesta epätasaisilla alustoilla. Aksiaalisen jousen ylimääräisen iskunvaimennuksen ja energianpalautuksen tarkoitus on parantaa mukavuutta ja toimivuutta.

Poikkeuksia on, ja siksi haluamme suosituksissamme huomioida yksilölliset tapaukset. Myös jotkut aktiivisuustasojen 2 ja 4* käyttäjät saattavat hyötyä laitteen antamasta parannetusta vakaudesta, mutta tällöin päätöksen tulee olla perusteltu ja huolella harkittu.

Aktiivisuustaso 1

Pystyy käyttämään tai on mahdollisuus käyttää proteesia siirtymiseen tai liikkumiseen tasaisella pinnalla tasaiseen tahtiin. Tyypillistä rajallisesti ja rajoituksitta liikkuvalle.

Aktiivisuustaso 2

Pystyy liikkumaan tai on mahdollisuus liikkua sekä pystyy ylittämään matalia esteitä, kuten reunakiveyksiä, portaita tai epätasaisia pintoja. Tyypillistä rajallisesti ulkona liikkuvalle.

Aktiivisuustaso 3

Pystyy liikkumaan tai on mahdollisuus liikkua vaihtelevaan tahtiin.

Tyypillistä ulkona liikkuvalle, joka pystyy ylittämään useimmat esteet ja jolla on työhön, terapiaan tai liikuntaan liittyvää toimintaa, joka vaatii proteesilta yksinkertaista liikettä enemmän.

Aktiivisuustaso 4

Pystyy liikkumaan tai on mahdollisuus liikkua proteesilla perusliikkumistaitoja vaativammin, sisältäen iskuja, rasiusta ja voimaa. Tyypillinen vaatimus lasten, aktiivisten aikuisten ja urheilijoiden proteesilta.

(*Käyttäjän sallittu enimmäispaino on 100 kg. Käytä aina yhtä numeroa suurempaa jousiluokkaa kuin jousisarjan valintataulukossa on esitetty.)

Vasta-aiheet

Laite ei välttämättä sovellu aktiivisuustason 1 käyttäjille eikä kilpaurheiluun. Näissä tapauksissa on parempi käyttää erikoisvalmisteista proteesia, joka on optimoitu käyttäjän tarpeisiin sopivaksi. Varmista, että käyttäjä ymmärtää kaikki käyttöohjeet ja erityisesti huoltoon liittyvät ohjeet

Kliiniset hyödyt

- Suurempi maavara vähentää kompastumis- ja kaatumisriskiä
- Parempi tasapaino itselinjautumisen ansiosta
- Parempi maakosketus kaltevilla alustoilla
- Parempi kävelyn kineettinen symmetria
- Vähemmän kuormitusta amputaatiotynkään
- Hitaampi kuormitus amputaatiotynkään
- Vähemmän selkäkipua kierto liikkeessä
- Nopeampi kävelyvauhti

Jousisarjan valinta

Aktiivisuustaso 3

44-52	53-59	60-68	69-77	78-88	89-100	101-116	117-125	kg	Käyttäjän paino
1	2	3	4	5	6	7	8		Jalan jousisarja
	●	●●		●●●		●●●●			Aksiaalisen iskunvaimentimen jousiluokka
1		2		3		4			

Huomautus... Jos on epäselvää, kumpaa jousiluokkaa tulisi käyttää, valitse suuremman jousiluokan jousisarja. Esitetyt jalan jousisarjasuositukset on tarkoitettu sääriproteesin käyttäjille. Reisi-proteesin käyttäjille suositellaan yhtä kategoriala pienempää jousisarjaa. Katso kohdassa 8 *Sovitusta koskevia ohjeita* varmistaaksesi, että toiminta ja liikelaajuus ovat tyydyttävät.

2 Turvallisuustietoja



Tällä varoitusmerkillä tuodaan esille tärkeitä turvallisuuteen liittyviä tietoja, joita täytyy noudattaa huolellisesti.



Kaikista proteesin toimintaan tai toimivuuteen liittyvistä muutoksista, kuten rajoittuneesta tai takeltelevasta liikkeestä tai poikkeavista äänistä, tulee ilmoittaa välittömästi laitevalmistajalle.



Pidä aina kiinni kaiteesta, kun kuljet alas portaita ja myös muulloin, jos mahdollista.



Laite ei sovellu vaativaan urheiluun, juoksemiseen tai kilpa-ajoon polkupyörällä, jää- ja lumiurheilulajeihin sekä jyrkissä rinteissä tai jyrkissä portaissa liikkumiseen. Tällaisiin aktiviteetteihin ryhtyminen on täysin käyttäjän omalla vastuulla. Virkistyspyöräily on sallittua.



Vain pätevä proteesiteknikko saa koota, huoltaa ja korjata laitetta.



Käyttäjän tulee ottaa yhteyttä proteesiteknikkoon, jos hänen tilaansa tulee muutoksia.



Autoa ajettaessa on varmistettava, että asianmukaiset varusteet on asennettu. Jokaisen täytyy noudattaa paikallisia liikennelakeja moottoriajoneuvoilla ajettaessa.



Liukastumis- ja kaatumisriskin minimoimiseksi täytyy aina käyttää sopivaa jalkinetta, joka istuu napakasti kosmeettiseen suojukseen.



Nilkan kotelo saattaa jatkuvassa käytössä tulla kosketuskuumaksi.



Vältettävä altistumista ääriämpötiloille.



Käyttäjä ei itse saa säätää tai muuttaa laitteen asetuksia.

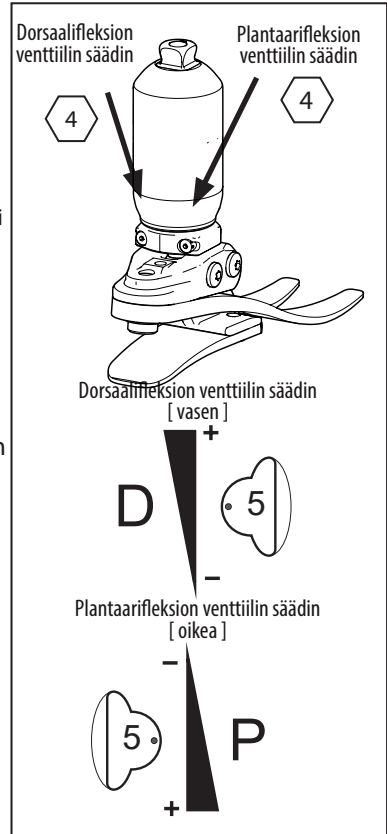
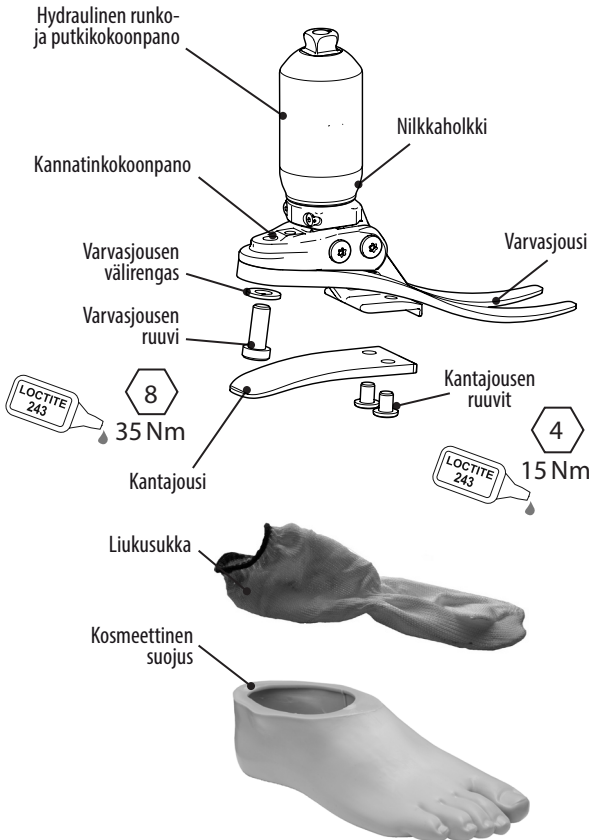


Varo sormien juuttumista.

3 Rakenne

Tärkeimmät osat

- Hydraulinen runko- ja putkikokoonpano (alumiini, ruostumaton teräs, titaani)
- Kannatinkokoonpano (alumiini, ruostumaton teräs)
- Kantapää- ja varvasjouset (keinohiili)
- Jousen kiinnitysruuvit (ruostumaton teräs, titaani)
- Liukusukka (UHMPE)
- Kosmeettinen suojus (PU)



4 Toiminta

Laite koostuu hydraulisesta runkorakenteesta, joka sisältää säädettävät hydrauliventtiilit. Venttiileitä voi säätää erikseen lisäten tai vähentäen plantaarifleksion ja dorsaalifleksion hydraulista vastusta.

Hydraulisen runkorakenteen proksimaalinen osa sisältää jousikomponentin, jonka avulla pyramidiputki pääsee heilahtamaan ja/tai kiertymään rajallisesti aksiaalisessa ja/tai kiertoasituksessa. Kun rasiusta ei enää ole, jousi palaa alkuperäiseen asentoonsa. Tämä liike vaimentaa iskuvoimia, jotka muutoin siirtyisivät tyngän/holkin liitospintaan sekä aksiaalisessa että kiertosuunnassa.

Hydraulinen runkorakenne kiinnittyy kannatinkokoonpanoon kahdella niveltapilla. Kanta- ja varvasjouset kiinnittyvät kannattimeen titaanista ja ruostumattomasta teräksestä valmistetuilla ruuveilla. Jalkaosaa ympäröi sukka (UHMPE), jota puolestaan ympäröi kosmeettinen suojus (PE).

5 Huolto

Huoltotoimenpiteet saa tehdä vain pätevä ammattihenkilö.

On suositeltavaa, että seuraavat huoltotoimenpiteet tehdään vuosittain:

- Tarkista silmämääräisesti, näkyykö vikoja, jotka voivat heikentää toimintaa.
- Puhdista ja voitele kantopinta. Käytä Sapphire Endure- (928015) tai vastaavaa PTFE-rasvaa (katso kohta 9 *Huolto-ohjeet*).
- Poista suojus ja liukusukka, tarkista mahdolliset vauriot ja kuluminen ja vaihda tarvittaessa.
- Tarkista kaikkien ruuvien kireys, puhdista ja kokoa uudelleen tarpeen mukaan.
- Tarkista silmämääräisesti, ovatko kanta- ja varvasjouset kuluneet tai laminointi irronnut, ja vaihda tarvittaessa. Joitakin pintavaurioita saattaa muodostua ajan kuluessa, mutta ne eivät vaikuta jalkateräproteesin toimintaan tai kestävyYTEEN.

Kaikista tämän laitteen toiminnassa esiintyvistä muutoksista täytyy ilmoittaa proteesiteknikolle. Toimintaan liittyviä muutoksia ovat mm. seuraavat:

- lisääntynyt nilkan jäykkyys
- muutokset aksiaalisessa tai kiertojäykkyydessä
- heikentynyt nilkan tuki (vapaa liike)
- jousien löystyminen
- liiallista väljyyttä kantopinnoilla
- poikkeavat äänet.

Käyttäjää tulee neuvoa ottamaan yhteyttä proteesiteknikkoon, jos hänen tilaansa tulee muutoksia.

Proteesiteknikolle täytyy myös kertoa, jos painossa ja/tai aktiivisuustasossa tapahtuu muutoksia.

Käyttäjälle tulee kertoa, että on suositeltavaa tarkistaa jalka säännöllisesti silmämääräisesti ja että toimintaan vaikuttavien kulumien merkeistä (esim. merkittävä kuluminen tai pitkään auringonsäteille altistumisesta johtuvat huomattavat värimuutokset) tulee ilmoittaa laitevalmistajalle.

Puhdistus

Puhdista ulkopinnat kostealla liinalla ja miedolla saippualla. Älä käytä voimakkaita puhdistusaineita.

6 Käyttöä koskevat rajoitukset

Kestoikä

Paikallinen riskiarviointi täytyy tehdä toiminnan ja käytön perusteella.

Kantokyky

Käyttäjän painolle ja toiminnalle on asetettu raja-arvot.

Käyttäjän kokonaispainon tulee perustua paikalliseen riskiarviointiin.

Ympäristö

Vältä altistamasta laitetta syövyttävillä aineilla, kuten vedelle, hapoille ja muille nesteille.

Vältä hankaavia materiaaleja, kuten hiekkaa, sisältäviä ympäristöjä, koska ne voivat aiheuttaa ennenaikaista kulumista.

Sallittu käyttölämpötila -15–50 °C.



Soveltuu ulkokäyttöön

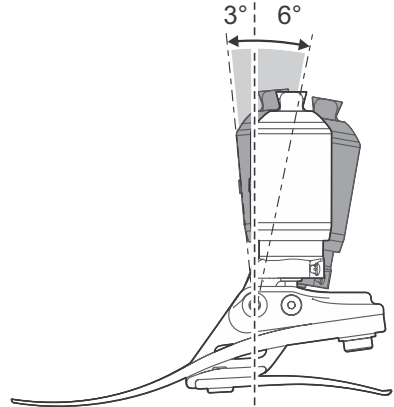
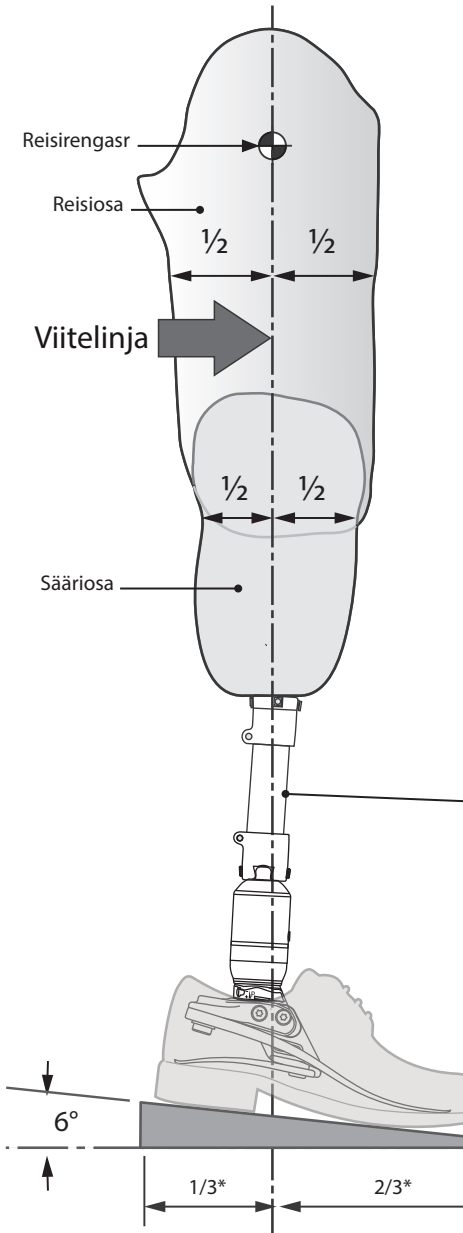
7 Linjaus työpenkillä

7.1 Staattinen linjaus

Linjaa reisiproteesin osat polven mukana toimitettujen sovitusohjeiden mukaisesti. Pidä viitelinja niveltappien välissä, kuten kuvassa on esitetty, ja siirrä tai kallista osia tarvittaessa.

Kallistuksen asetus

Linjaa proteesi niin, että liikelaajuus on kuten kuvassa näky.



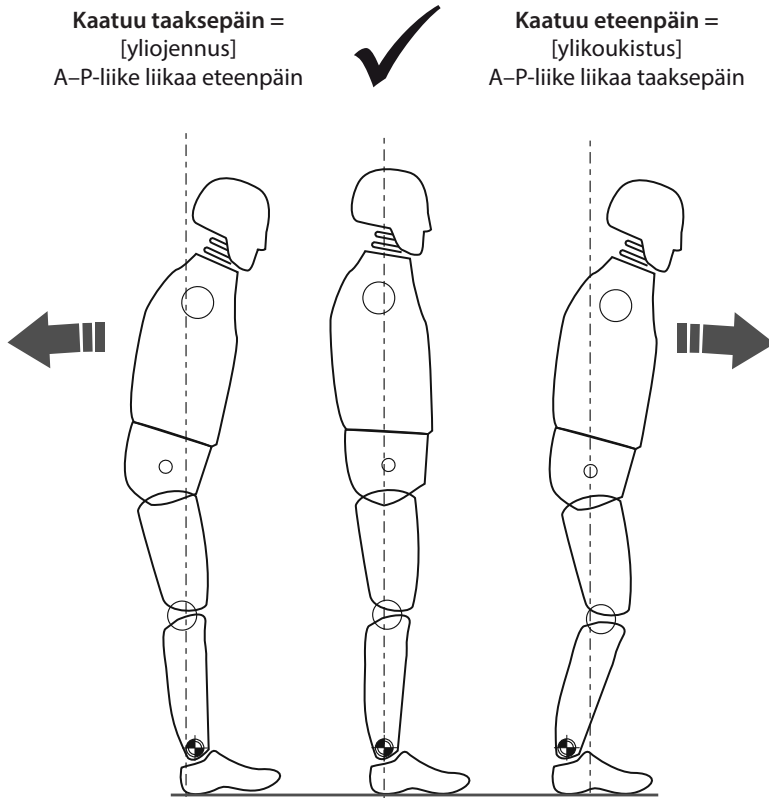
Leikkaa sääriosa suurinpiirtein sopivan pituiseksi ja jätä noin 10–15 mm lopullista viimeistelyä varten. **Huomautus:** Sovituspituudessa huomioidaan yleensä 10 mm kantapään, varpaan ja jousen aksiaalista painumista varten.

Tee linjaus kenkä jalassa ja jalan ollessa täysin plantaarifleksiossa..

*Likimääräinen suhde

7.2 Biomimeettinen linjaus

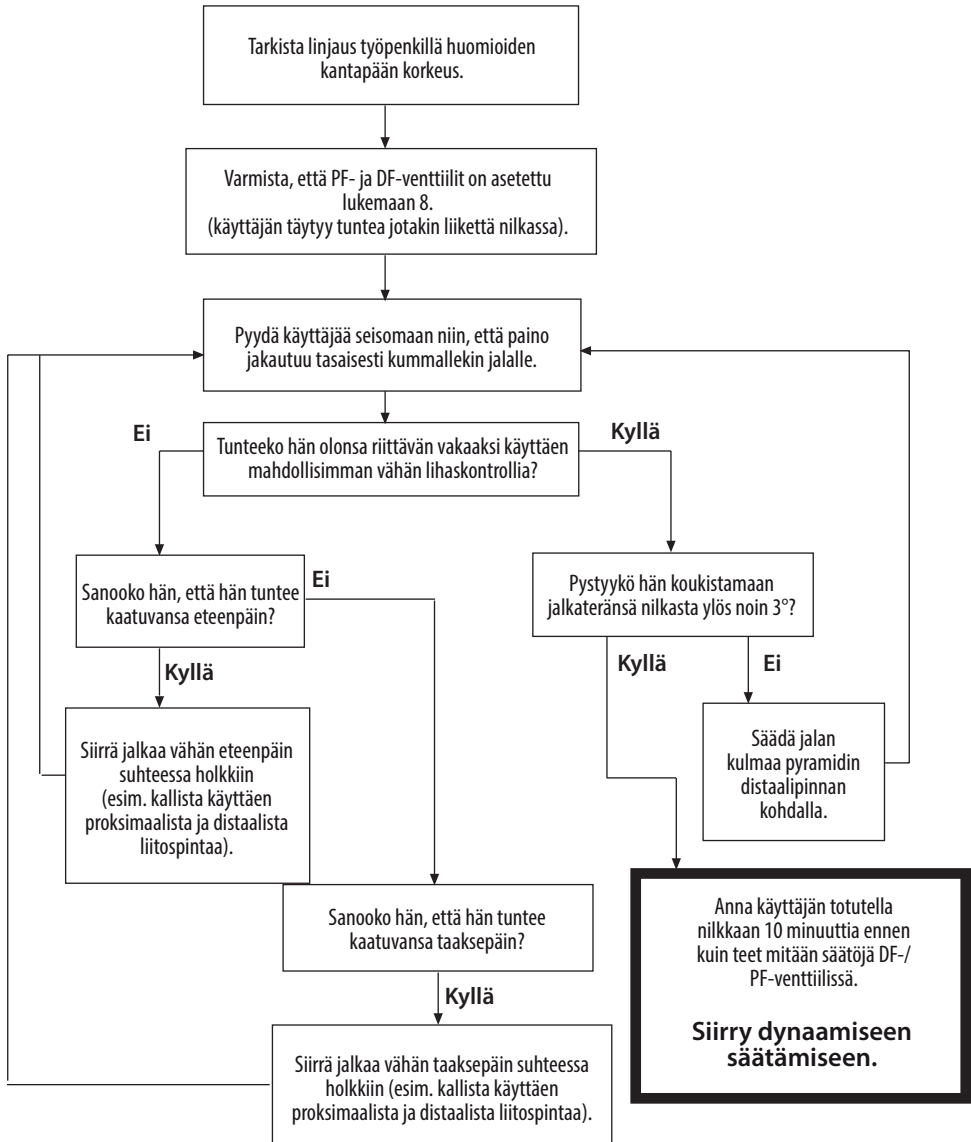
Linjauksen tarkoituksena on saavuttaa tasapainopiste seisoma-asennossa ja säätää hydraulisesti vaimentuva liikelaajuus. Vaimennuksen säädön tarkoituksena on hienosäätää nilkan ja jalan rullausjäykkyyttä niin, että kävely on miellyttävää. Koska nilkan liikelaajuus on suurempi, käyttäjä saattaa kokea suurempaa omaehtoista kontrollointitarvetta ja nilkka saattaa aluksi tuntua kiusalliselta asetuksia tehtäessä. Tämän tulisi mennä pian ohi, kun asetukset on tehty loppuun.



Varmista, että käyttäjä on rento eikä nojaa dorsaalifleksion äärirajalla.

7.3 Biomimeettinen säätö

Huomautus... Tee staattinen linjaus varmistaen samalla, että käyttäjä pystyy ottamaan tukea, esimerkiksi nojapuista. Tämä linjaus tehdään vain seisoma-asennossa.



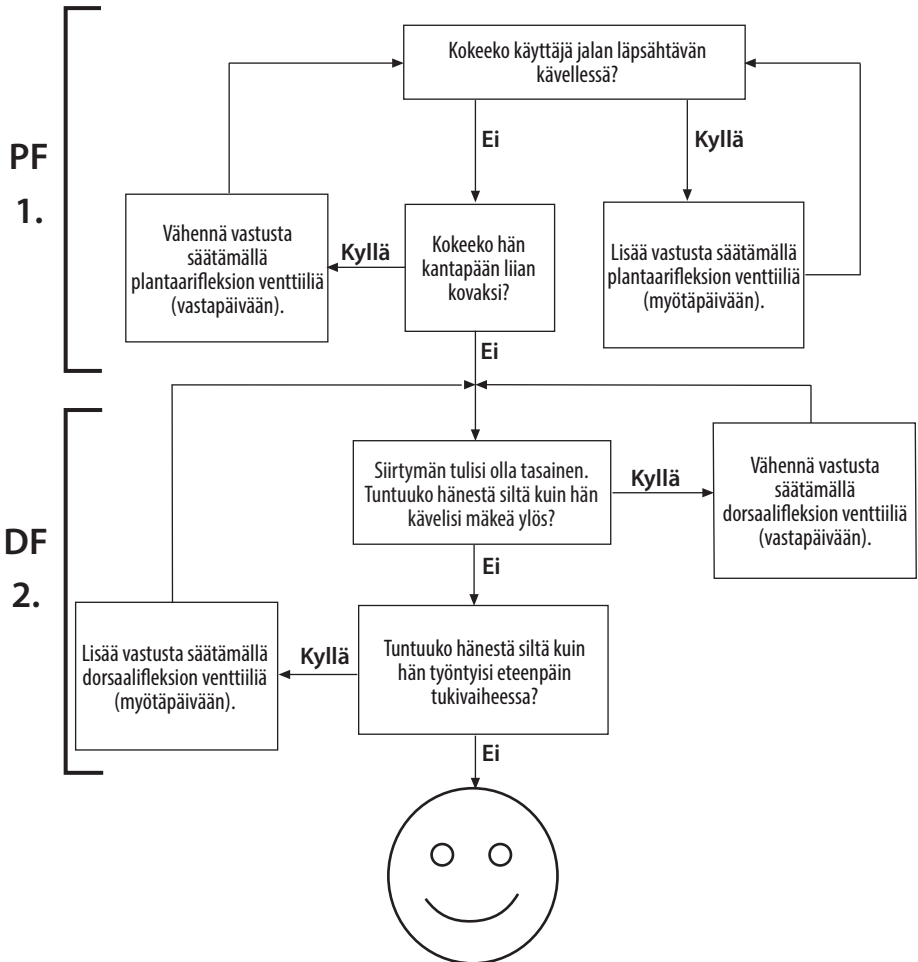
Säädä staattista linjausta ja seisontaa osia siirtämällä.

Laitteen tulisi kannustaa tietynasteiseen itsesäätöön, jotta käyttäjä saavuttaa tasapainon tunteen seisossaan.

7.4 Dynaaminen säätö

Hydrauliventtiilien säätäminen

Käyttäjän pitäisi tuntea nilkan liikkuvan kehon mukana askelsyklin aikana. Nilkan hydraulisen vastuksen ylittämisen ei pitäisi aiheuttaa minkäänlaista ponnistusta.



Ohje

Kun dynaaminen säätö on tehty, testaa jalkaa/nilkkaa luiskalla ja portaissa. Varmista, että käyttäjä tuntee olonsa mukavaksi sellaisella alustalla, jolla hän normaalisti olettaisi liikkuvansa. Jos hän tuntee minkäänlaista epämuikavuutta tai ongelmaa nilkan toimivuudessa tai liikelaajuudessa, säädä tarpeen mukaan.

8 Sovitusta koskevia ohjeita

Oikea linjaus (A–P-asento), liikerata (plantaarifleksion ja dorsaalifleksion jakautuminen) ja hydrauliasetusten säädöt ovat äärimmäisen tärkeitä, jotta rullaus olisi tasaista ja kaltevilla alustalla liikkuminen mahdollista (katso kohta 7.3 *Biomimeettinen säätö*).

Laitteen aksiaaliset jouset on suunniteltu toimimaan yhdessä kanta- ja varvasjousien kanssa tekemään etenemisestä tasaisempaa useimpien käyttäjien kohdalla. Aksiaalinen jousi hallitsee sekä puristus- että kiertolujuutta, ja tyypillisen aksiaalisen liikkeen tulisi olla 3–6 mm normaalia kävelyä varten.

Laitteeseen on saatavana neljä aksiaalista jousiluokkaa (tarkempia tietoja löytyy kohdasta 1).

Anna käyttäjän totutella alkuasetuksiin jonkin aikaa.

Jos ongelmia edelleen esiintyy, kun seuraavia ohjeita on noudatettu, kysy neuvoa lähimmästä myyntipisteestä.

Kaikki seuraavat vaikuttavat negatiivisesti toimivuuteen ja vakauteen:

- väärä jousivalinta
- väärä A–P-liikkeen linjaus
- plantaari- ja dorsaalifleksion virheellinen jakautuminen.

	<i>Ongelma</i>	<i>Korjaustoimenpide</i>
1.	<ul style="list-style-type: none">• Painuminen kantauskun aikana.• Vaikeus saavuttaa tasainen siirtyminen keskittövaiheeseen• Käyttäjältä tuntuu kuin hän kävelisi mäkeä ylös tai jalkaterän etuosa tuntuu liian pitkältä	<ul style="list-style-type: none">• Lisää plantaarifleksion vastusta.• Tarkista A–P-siirtymisen linjaus: varmista, että jalka ei ole liian edessä.• Tarkista plantaari- ja dorsaalifleksion liike: varmista, että plantaarifleksion liikerata ei ole liian laaja.• Tarkista, että jousikategoria ei ole liian pieni, ja jos on, vaihda suurempaan jousiluokkaan.
2.	<ul style="list-style-type: none">• Siirtyminen kantauskusta keskittövaiheeseen tapahtuu liian nopeasti• Vaikeus kontrolloida energianpalautusta jalasta kantauskun aikana (polven vakaus heikentynyt)• Käyttäjän mielestä kantapään on liian kova, jalkaterän etuosa liian lyhyt	<ul style="list-style-type: none">• Pienennä plantaarifleksion vastusta.• Tarkista A–P-siirtymisen linjaus: varmista, että jalka ei ole liian takana.• Tarkista plantaari- ja dorsaalifleksion liike: varmista, että plantaarifleksion liikerata on riittävä.• Tarkista, että jousiluokka ei ole liian suuri käyttäjän painoon ja aktiivisuuteen nähden, ja jos on, vaihda pienempään jousiluokkaan.

	<i>Ongelma</i>	<i>Korjaustoimenpide</i>
3.	<p>Kantapääkosketus ja siirtyminen tuntuivat hyvältä, mutta:</p> <ul style="list-style-type: none"> • jalkaterän etuosa tuntuu liian pehmeältä • jalkaterän etuosa tuntuu liian lyhyeltä • Käyttäjistä tuntuu kuin hän kävelisi mäkeä <i>alas</i>, polven vakaus mahdollisesti heikompi • energianpalautus on puutteellista. 	<ul style="list-style-type: none"> • Lisää dorsaalifleksion vastusta. • Tarkista A–P-siirtymisen linjaus: varmista, että jalka ei ole liian takana. • Tarkista plantaari- ja dorsaalifleksion liike: varmista, että dorsaalifleksion liikerata ei ole liian laaja. • Tarkista, että jousiluokka ei ole liian pieni käyttäjän painoon ja aktiivisuuteen nähden, ja jos on, vaihda suurempaan jousiluokkaan.
4.	<p>Kantapääkosketus ja siirtyminen tuntuivat hyvältä, mutta:</p> <ul style="list-style-type: none"> • Jalkaterän etuosa tuntuu liian jäykältä • Jalkaterän etuosa tuntuu liian pitkältä • Tuntuu kuin kävelisi mäkeä ylös 	<ul style="list-style-type: none"> • Pienennä dorsaalifleksion vastusta. • Tarkista A–P-siirtymisen linjaus: varmista, että jalka ei ole liian edessä. • Tarkista plantaari- ja dorsaalifleksion liike: varmista, että dorsaalifleksion liikerata on riittävä. • Tarkista, että jousiluokka ei ole liian suuri käyttäjän painoon ja aktiivisuuteen nähden, ja jos on, vaihda pienempään jousiluokkaan.

9 Huolto-ohjeet

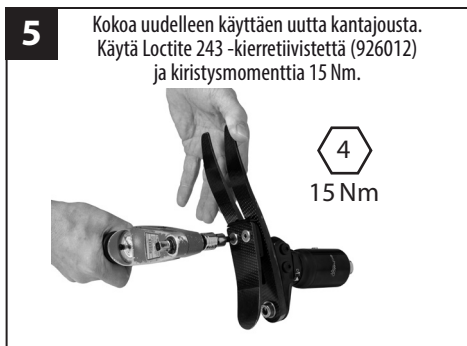
⚠️ **Varo sormien juuttumista.**

⚠️ **Käytä aina asianmukaisia suojarusteita ja sopivia proteesin irrotusvälineitä.**

9.1 Kosmeettinen suojuksen irrotus

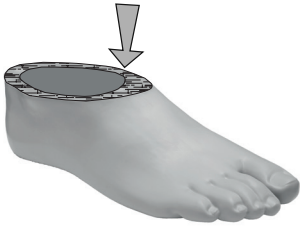


9.2 Kantapää- ja varvasjousen vaihto



7

Jos kosmeettinen vaahtomuoviosa aiotaan kiinnittää, karhenna kosmeettisen suojuksen yläpintaa hyvän tartuntapinnan aikaansaamiseksi.

**8**

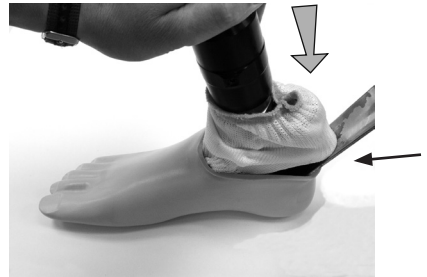
Voitele varvas- ja kantaosa tarvittaessa. (Kosmeettinen suojus on valmiiksi voideltu.)

**9**

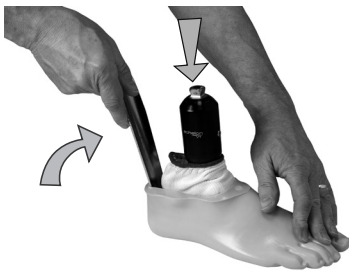
Varvasjousen paikka kosmeettisessa suojuksessa.

10

Aseta kantajousi paikalleen kosmeettiseen suojukseen käyttäen apuna sopivaa vipuamislaitetta.

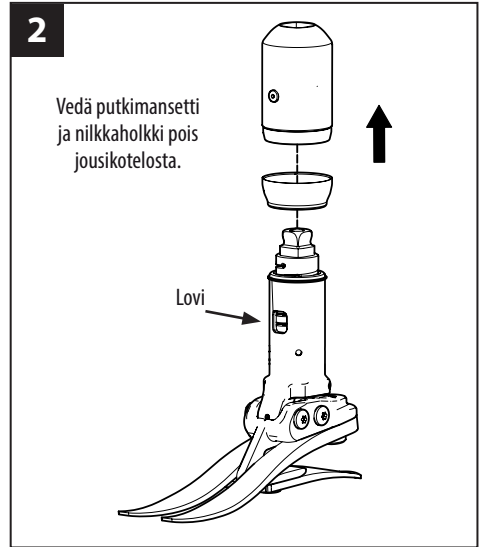
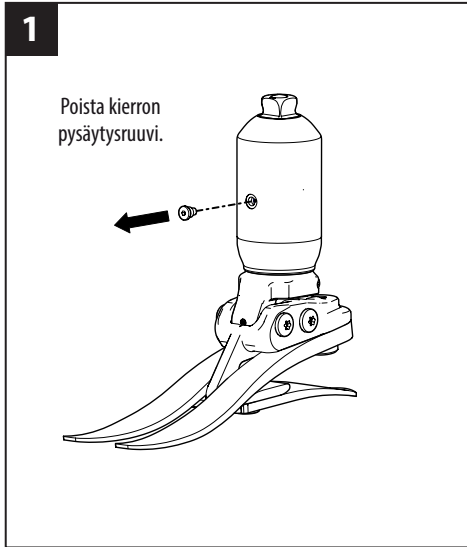
**11**

Varmista, että kantajousi asettuu uraan.



Jos käyttäjä haluaa kosmeettisen viimeistelyn, ota yhteyttä Blatchfordin myyntitiimiin.

9.3 Putkimansetti



Puhdista ja voitele kantopinta.

Käytä Sapphire Endure- (928015) tai vastaavaa PTFE-rasvaa.

9.3.1 Uudelleen kokoaminen

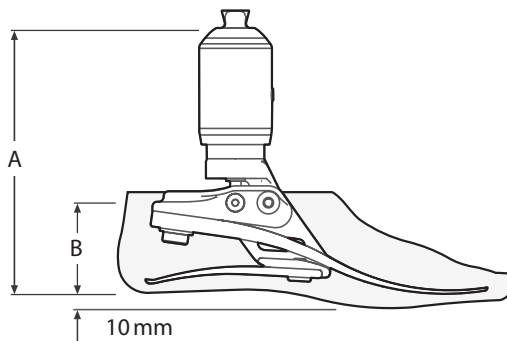
Varmista, että kierron pysäytysruuvi on putkessa olevan loven kohdalla. Käytä Loctite 243 -kierrelukitetta ja kiristä.

Nilkkaholkki on saatavana varaosana, osanumero 534003.

10 Tekniset tiedot

Käyttö- ja säilytyslämpötila-alue:	-15–50 °C
Paino (koko 26N):	1,05 kg
Suosittelava aktiivisuustaso:	3
Suurin sallittu käyttäjän paino:	125 kg
Koot:	22–30 cm
Proksimaalinen kiinnitys:	uros pyramid (Blatchford) +/- 7°
Nilkan liikelaajuus:	plantaarifleksio 6°, dorsaalifleksio 3°
Maksimikierto:	+/- 15°
Tyypillinen aksiaalinen liike:	3–6 mm [enintään 10 mm]
Rakenteen korkeus:*	22–24 cm 168 mm 25–26 cm 173 mm 27–30 cm 178 mm
Kantapään korkeus:	10 mm

Sovituspituus



Koko	A
22–24	168 mm
25–26	173 mm
27–30	178 mm

Koko	B
22–26	65 mm
27–28	70 mm
29–30	75 mm

11 Tilaustiedot

Tilauksesimerkki

ECVT	25	L	N	3	2	S
------	----	---	---	---	---	---

Koko Puoli Leveys* Jousisarja- Aksiaalinen Sandaali-
(L/R (N/W Jousiluokka jousi varvas
(V/O) [K/L])

Saatavana olevat koot 22–30:

ECVT22L11S–ECVT30R84S
ECVT22L11SD–ECVT30R84SD

(lisää D, jos haluat tummasävyisen
kosmeettisen suojuksen)

*Vain koot 25–28. Jätä leveys pois muista kokoluokista.

esim. ECVT25LN12S, ECVT22R34S, ECVT27RW33SD

Jousisarjat				
Luokka	Jalan koko			
	Pieni (S)	Keskikoko (M)	Iso (L)	Ekstra iso (XL)
	22–24	25–26	27–28	29–30
Sarja 1	539801S	539810S	539819S	539828S
Sarja 2	539802S	539811S	539820S	539829S
Sarja 3	539803S	539812S	539821S	539830S
Sarja 4	539804S	539813S	539822S	539831S
Sarja 5	539805S	539814S	539823S	539832S
Sarja 6	539806S	539815S	539824S	539833S
Sarja 7	539807S	539816S	539825S	539834S
Sarja 8	539808S	539817S	539826S	539835S

Kosmeettinen suojuus (lisää D tummaa varten)		
Koko/ puoli	Kapea	Leveä
22L	539038S	-
22R	539039S	-
23L	539040S	-
23R	539041S	-
24L	539042S	-
24R	539043S	-
25L	539044SN	539044SW
25R	539045SN	539045SW
26L	539046SN	539046SW
26R	539047SN	539047SW
27L	539048SN	539048SW
27R	539049SN	539049SW
28L	539050SN	539050SW
28R	539051SN	539051SW
29L	-	539052S
29R	-	539053S
30L	-	539054S
30R	-	539055S

Osa	Osa- numero
Liukusukka (koot 22–26)	531011
Liukusukka (koot 27–30)	532811
DF-/PF-säätöavain, 4 A/F -kuusiokoloavain	940236
Niilkkaholkki	534003
Kierron pysäytysruuvi	534005

Vastuu

Valmistaja suosittelee, että laitetta käytetään ainoastaan ilmoitetuissa olosuhteissa ja aiottuun käyttötarkoitukseen. Laitetta täytyy huoltaa laitteen mukana toimitettujen käyttöohjeiden mukaisesti. Valmistaja ei ole vastuussa mistään haitallisista seuraamuksista, jotka johtuvat sellaisten osakokoonpanojen käytöstä, joita valmistaja ei ole hyväksynyt.

CE-vaatimustenmukaisuus

Tämä tuote täyttää lääkinällisistä laitteista annetun Euroopan unionin säädöksen 2017/745 vaatimukset. Tämä tuote on luokiteltu luokan I tuotteeksi kyseisen säädöksen liitteen VIII luokituskriteerien mukaisesti. Todistus EU:n vaatimustenmukaisuusvakuutuksesta löytyy osoitteesta: www.blatchford.co.uk



Lääkinällinen laite



Yhdelle potilaalle, kestäkäyttöinen

Yhteensopivuus

Blatchfordin omien tuotteiden käyttö on hyväksytty edellyttäen että ne on testattu asiaankuuluvien standardien ja MDR-asetuksen mukaisesti käsittäen myös rakenteellisen testin, mittojen yhteensopivuuden ja valvotun kenttätoimivuuden.

Vaihtoehtoisia CE-merkittyjä tuotteita käytettäessä täytyy ottaa huomioon proteesitekniikan tekemä dokumentoitu paikallinen riskiarviointi.

Takuu

Tällä laitteella on 36 kuukauden takuu, kosmeettisella suojuksella 12 kuukauden takuu ja liukusukalla kolmen kuukauden takuu. Käyttäjän tulee olla tietoinen siitä, että takuu, käyttö lupa ja erityisluvat voidaan mitätöidä, jos laitteeseen tehdään muutoksia tai muunnoksia, joita ei ole erikseen hyväksytty. Tämänhetkiset täydelliset takuutiedot löytyvät Blatchfordin verkkosivustolta.

Vakavista tapahtumista ilmoittaminen

Jos tähän laitteeseen liittyvä vakava tapahtuma sattuu (mikä on hyvin epätodennäköistä), asiasta tulee ilmoittaa valmistajalle ja kansalliselle toimivaltaiselle viranomaiselle.

Ympäristötiedot

Osat tulee kierrättää, mikäli mahdollista, paikallisten jätehuoltomääräysten mukaisesti.

Pakkausetiketin säilyttäminen

On suositeltavaa, että säilytät pakkausetiketin tiedoksi tulevan varalle.

Tavaramerkkejä koskevat tiedot

Echelon ja Blatchford ovat Blatchford Products Limitedin rekisteröityjä tavaramerkkejä.

Valmistajan rekisteröity osoite

 Blatchford Products Limited, Lister Road, Basingstoke RG22 4AH, Iso-Britannia.

Innehåll	78
1 Beskrivning och avsett syfte	79
2 Säkerhetsinformation	81
3 Konstruktion	82
4 Funktion	83
5 Underhåll	83
6 Begränsningar av användningen	84
7 Inriktning på arbetsbänken	85
7.1 Statisk inriktning	85
7.2 Biomimetisk inriktning	86
7.3 Biomimetisk justering	87
7.4 Dynamisk justering	88
8 Inpassningsråd	89
9 Underhållsinstruktioner	91
9.1 Borttagning av fothöljet	91
9.2 Byte av häl- och tåfjäder	91
9.3 Pylonhylsa	93
10 Tekniska uppgifter	94
11 Beställningsinformation	95

1 Beskrivning och avsett syfte

Dessa instruktioner är avsedda för läkaren.

Termen enhet används i hela denna bruksanvisning för att referera till EchelonVT.

Användningssätt

Denna enhet får endast användas som en del av en underbensprotes.

Avsedd för en enda brukare.

Enheten ger begränsad självjustering av protesen i varierande terräng och efter byte av skodon. Den är avsedd att förbättra kroppsrörelse och symmetri samtidigt som den lättar på onormala tryck vid kontaktytan mot hylsan. Enheten omfattar även ett fjäderelement som kan absorbera axiella stötar och rotationsstötar, avsett att minska belastningen vid kontaktytan mellan den resterande extremiteten och hylsan.

Aktivitetsnivå

Den här enheten rekommenderas för brukare som har potential att uppnå aktivitetsnivå 3 och som kan dra nytta av förbättrad stabilitet och ökad säkerhet på ojämna ytor. Den extra stötdämpningen och energiåterfjädringen från den axiella fjädern syftar till att förbättra komfort och prestanda.

Det finns undantag och i vår rekommendation vill vi lämna utrymme för unika, individuella omständigheter. Det kan också finnas ett antal brukare på aktivitetsnivå 2 och 4* som skulle kunna dra nytta av den ökade stabilitet som enheten erbjuder, men detta beslut bör fattas med en sund och grundlig motivering.

Aktivitetsnivå 1

Har förmåga eller potential att använda protes för förflyttning eller rörlighet på plana ytor i jämn takt. Typiskt för en patient som rör sig begränsat eller obegränsat.

Aktivitetsnivå 2

Har förmåga eller potential att förflytta sig förbi enkla hinder som trottoarkanter, trappor eller ojämna ytor. Typiskt för en patient som rör sig begränsat ute i samhället.

Aktivitetsnivå 3

Har förmåga eller potential att förflytta sig i variabel takt.

Typiskt för en person som har förmåga att ta sig förbi de flesta hinder i miljön och som kan bedriva yrkesmässig, terapeutisk eller motionsinriktad aktivitet som kräver att protesen kan användas för mer än bara enkel förflyttning.

Aktivitetsnivå 4

Har förmåga eller potential att förflytta sig med hjälp av en protes som överskrider den grundläggande rörelseförmågan och har höga stöt-, belastnings- eller energinivåer. Typiskt för behovet av protes hos ett barn, en aktiv vuxen eller en idrottsman.

(*högsta brukarvikt 100 kg, och använd alltid en fjäderkategori högre än vad som visas i tabellen för val av fjädersats.)

Kontraindikationer

Den här enheten är kanske inte lämplig för personer på aktivitetsnivå 1 eller för tävlingsinriktade idrottsevenemang, eftersom dessa typer av brukare har bättre nytta av en särskilt utformad protes som är optimerad för deras behov.

Se till att brukaren har förstått alla bruksanvisningar och särskilt uppmärksammar avsnittet om underhåll.

Klinisk nytta

- Ökad markfrigång minskar risken för att brukaren snubblar och faller
- Förbättrad balans genom självjustering
- Förbättrad följsamhet mot marken för hantering av lutningar
- Förbättrad kinetisk gångsymmetri
- Minskad belastning på kvarvarande extremitet
- Minskad belastning på kvarvarande extremitet
- Minskad ryggsmärta vid vridning
- Ökad gånghastighet

Val av fjädersats

Aktivitetsnivå 3

44-52	53-59	60-68	69-77	78-88	89-100	101-116	117-125	kg	Brukarens vikt
1	2	3	4	5	6	7	8		Fotfjädersats
	•	••		•••		••••			Fjäderbeteckning ör axiell stötdämpning
1		2		3		4			

Obs... Om du är osäker i valet mellan två kategorier ska du välja den högre fjädersatsen.

Rekommendationer för fotfjädersats visas för transtibiala brukare.

För transfemorala brukare föreslår vi att en fjädersats i en kategori lägre väljs, se Avsnitt 8 *Inpassningsråd* för att säkerställa tillfredsställande funktion och rörelseområde.

2 Säkerhetsinformation



Denna varningssymbol visas vid viktig säkerhetsinformation som måste följas noggrant.



Eventuella förändringar i extremitetens prestanda eller funktion, t. ex. begränsad rörelse, osmidig rörelse eller ovanliga ljud, ska omedelbart rapporteras till din serviceleverantör.



Använd alltid ett räcke när du går nedför trappor och vid andra tillfällen om det finns något.



Enheten är inte lämplig för extremsport, löpning eller cykeltävlingar, is- och snösporter eller i extrema sluttningar eller trappor. Alla sådana aktiviteter utförs helt och hållet på brukarens egen risk. Cykling som rekreation är acceptabelt.



Montering, underhåll och reparation av enheten får endast utföras av klinisk personal med lämpliga kvalifikationer.



Brukaren ska kontakta sin läkare om hens tillstånd förändras.



Se till att endast lämpliga, specialutrustade fordon används vid körning. Alla måste följa sina respektive trafiklagar vid framförande av motorfordon.



För att minimera risken för att halka och snubbla måste lämpliga skor som sitter säkert på foten alltid användas.



Efter kontinuerlig användning kan fotledshöljet bli varmt att röra vid.



Undvik exponering för extrem värme och/eller kyla.



Brukaren får inte justera eller manipulera enhetens inställningar.

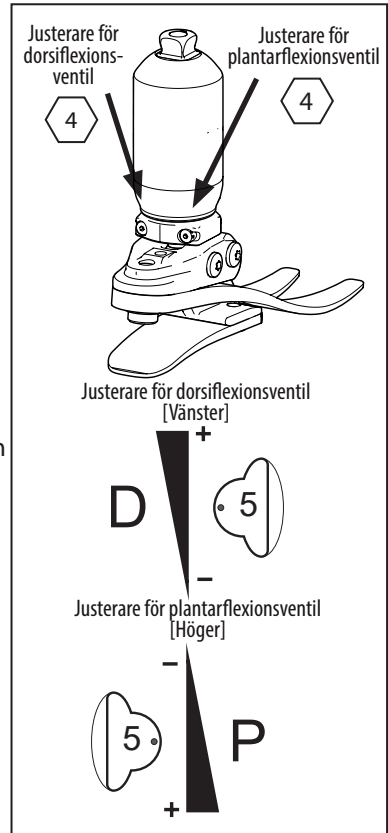
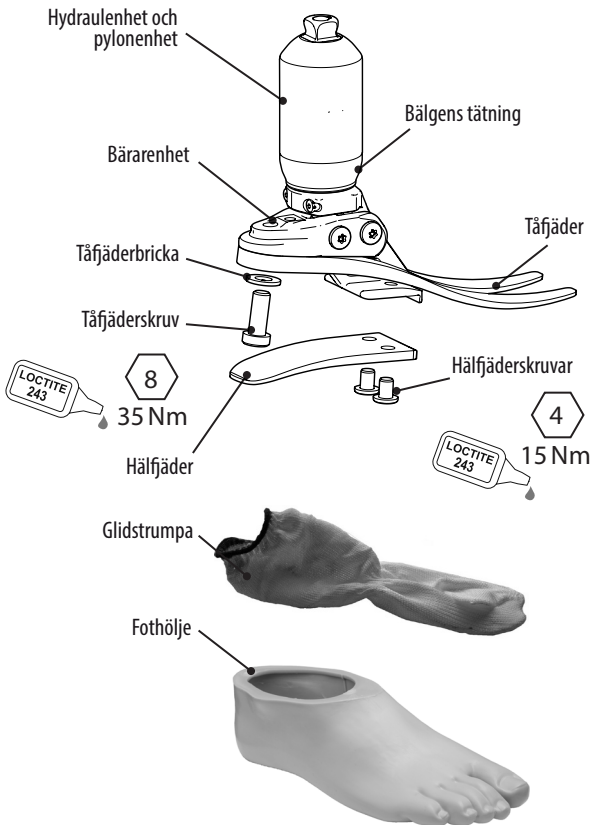


Var alltid medveten om risken för att fingrarna kommer i kläm.

3 Konstruktion

Huvuddelar

- Hydraulenhet och pylonenhet (aluminium/rostfritt stål/titan)
- Bärarenhet (aluminium/rostfritt stål)
- Häl- och täfjädrar (e-kol)
- Fjäderfästskruvar (rostfritt stål/titan)
- Glidstrumpa (UHM PE)
- Fothölje (PU)



4 Funktion

Enheten består av en hydraulenhet som innehåller justerbara hydraulventiler. Ventilerna kan justeras oberoende av varandra för att öka och minska hydraulmotståndet för plantarflexion och dorsiflexion.

Den proximala delen av hydraulenheten innehåller en fjäderkomponent som gör att pyramidröret kan böjas och/eller rotera inom ett begränsat område under axiell och/eller vridande belastning. När belastningen tas bort återgår fjädern till sitt ursprungliga läge. Effekten av denna rörelse är att dämpa eventuella stötkrafter som annars skulle överföras till kontaktytan mellan den resterande extremiteten och hylsan i både axiell och roterande riktning.

Hydraulenheten är ansluten till en bärarenhet via två ledtappar. Hä- och tåfjädrarna är monterade på bäraren med skruvar av titan och rostfritt stål. Foten är inlindad i en strumpa av UHM PE som i sin tur omges av ett fothölje av PU.

5 Underhåll

Underhåll måste utföras av kompetent personal.

Det rekommenderas att följande underhåll utförs varje år:

- Kontrollera om det finns några defekter som kan påverka funktionen
- Rengör och smörj lagerytan. Använd Sapphire Endure (928015) eller likvärdigt PTFE-fyllt fett (se Avsnitt 9 *Underhållsinstruktioner*).
- Ta av fothöljet och glidstrumpan, kontrollera om de är skadade eller slitna och byt ut dem vid behov.
- Kontrollera att alla skruvar är åtdragna. Rengör och återmontera dem vid behov.
- Kontrollera om hä- och tåfjädrarna visar tecken på delaminering eller slitage och byt ut dem vid behov. Vissa mindre skador på ytan kan uppstå efter en tids användning. Detta påverkar inte fotens funktion eller styrka.

Eventuella förändringar av enhetens prestanda måste rapporteras till läkaren. Förändringar av prestandan kan omfatta:

- Ökad stelhet i fotleden
- Förändringar av axiell eller vridande styvhet
- Minskat stöd i fotleden (fri rörlighet)
- Uppmjukning av fjädrar
- För stort spel i lagren
- Ovanliga ljud

Brukaren ska rekommenderas att kontakta sin läkare om tillståndet förändras.

Läkaren måste också informeras om eventuella förändringar av kroppsvikt och/eller aktivitetsnivå.

Brukaren bör vara medveten om att en regelbunden visuell kontroll av foten rekommenderas. Tecken på slitage som kan påverka funktionen ska rapporteras till tjänsteleverantören (t.ex. betydande slitage eller kraftig missfärgning på grund av långvarig exponering för UV-ljus).

Rengöring

Använd en fuktig trasa och mild tvål för att rengöra utsidan. Använd inte starka rengöringsmedel.

6 Begränsningar av användningen

Avsedd livslängd

En lokal riskbedömning bör utföras på grundval av aktivitet och användning.

Lyft av laster

Brukarens vikt och aktivitet styrs av de angivna gränserna.

Den belastning som brukaren transporterar ska baseras på en lokal riskbedömning.

Miljö

Undvik att utsätta enheten för korroderande ämnen som vatten, syror och andra vätskor.

Undvik också nötande miljöer som t.ex. sandhaltiga, eftersom dessa kan orsaka förtida slitage.

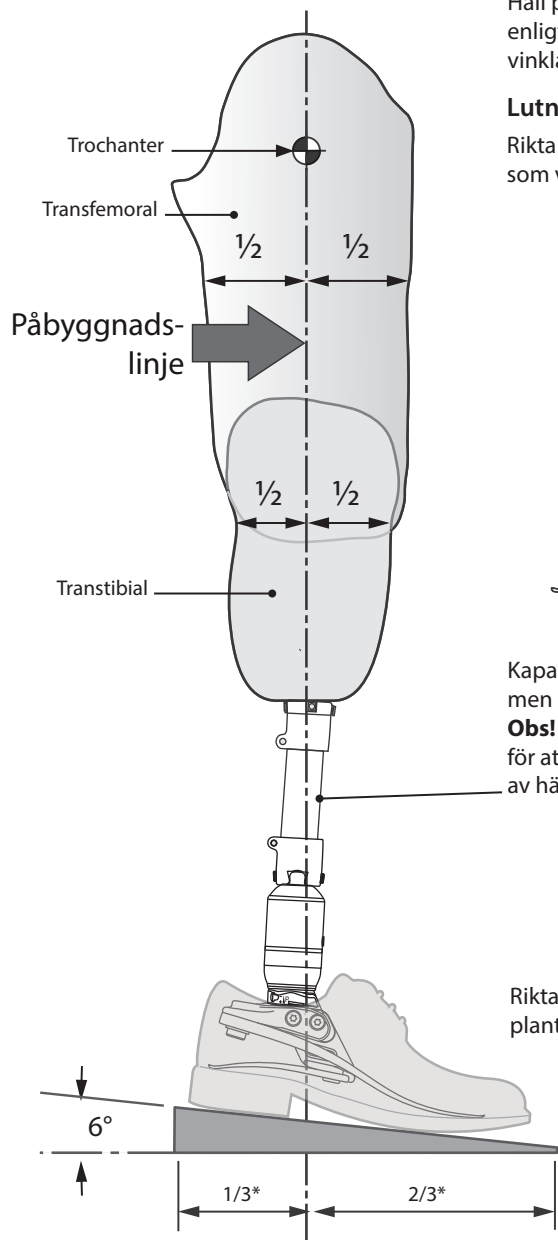
Får endast användas mellan -15 °C och 50 °C.



Lämplig för utomhusbruk

7 Inriktning på arbetsbänken

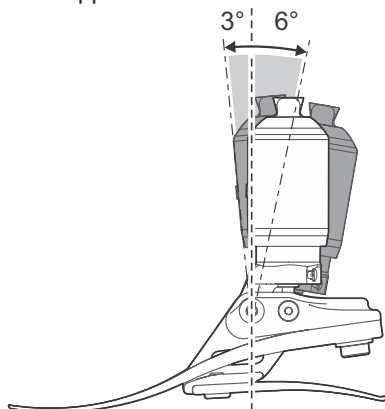
7.1 Statisk inriktning



Rikta in transfemorala enheter enligt de inpassningsinstruktioner som medföljer knäet. Håll påbyggnadslinjen mellan ledpunkterna enligt bilden genom att förskjuta och/eller vinkla enheterna efter behov.

Lutningsinställning

Rikta in extremiteten så att det rörelseområde som visas uppnås



Kapa skenbensdelen till ungefärlig längd, men lämna kvar 10–15 mm för slutlig trimning. **Obs!** Provlängden innefattar vanligtvis 10 mm för att skapa utrymme för axiell kompression av häl, tå och fjäder (axiell).

Rikta in med sko på och foten helt plantarflexad.

*Ungefärligt förhållande

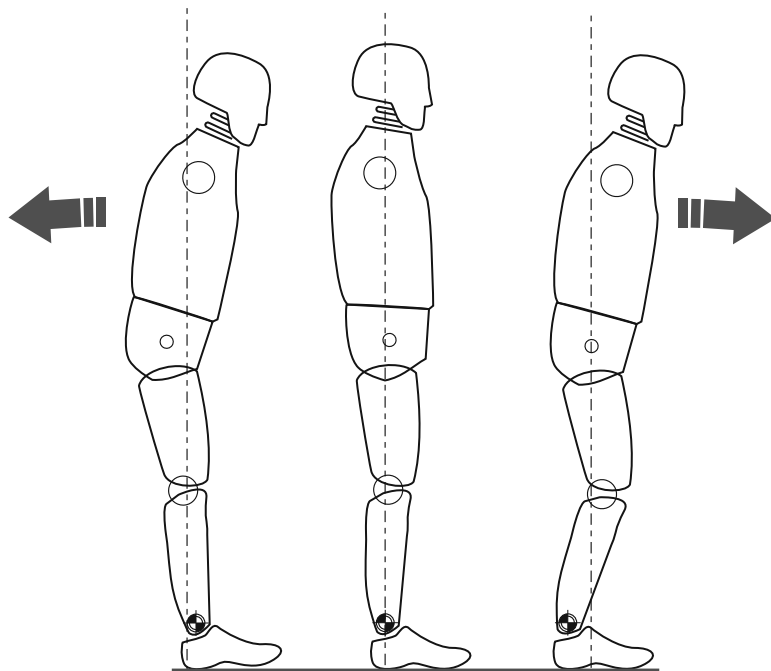
7.2 Biomimetisk inriktning

Syftet med inriktningen är att uppnå en "balanspunkt" när brukaren står och ställa in det hydrauliskt dämpade rörelseområdet. Syftet med dämpningen är att finjustera styvheten mellan fotleden och foten under stegets rullande del tills en bekväm gång uppnås. På grund av det ökade rörelseområdet som fotleden ger kan brukaren uppleva ett behov av mer frivillig kontroll och till en början tycka att fotleden är störande under installationen. Detta bör snabbt gå över när installationen är tillfredsställande.

Faller bakåt = [hyperextension]
A-P-förskjutningen för långt framåt



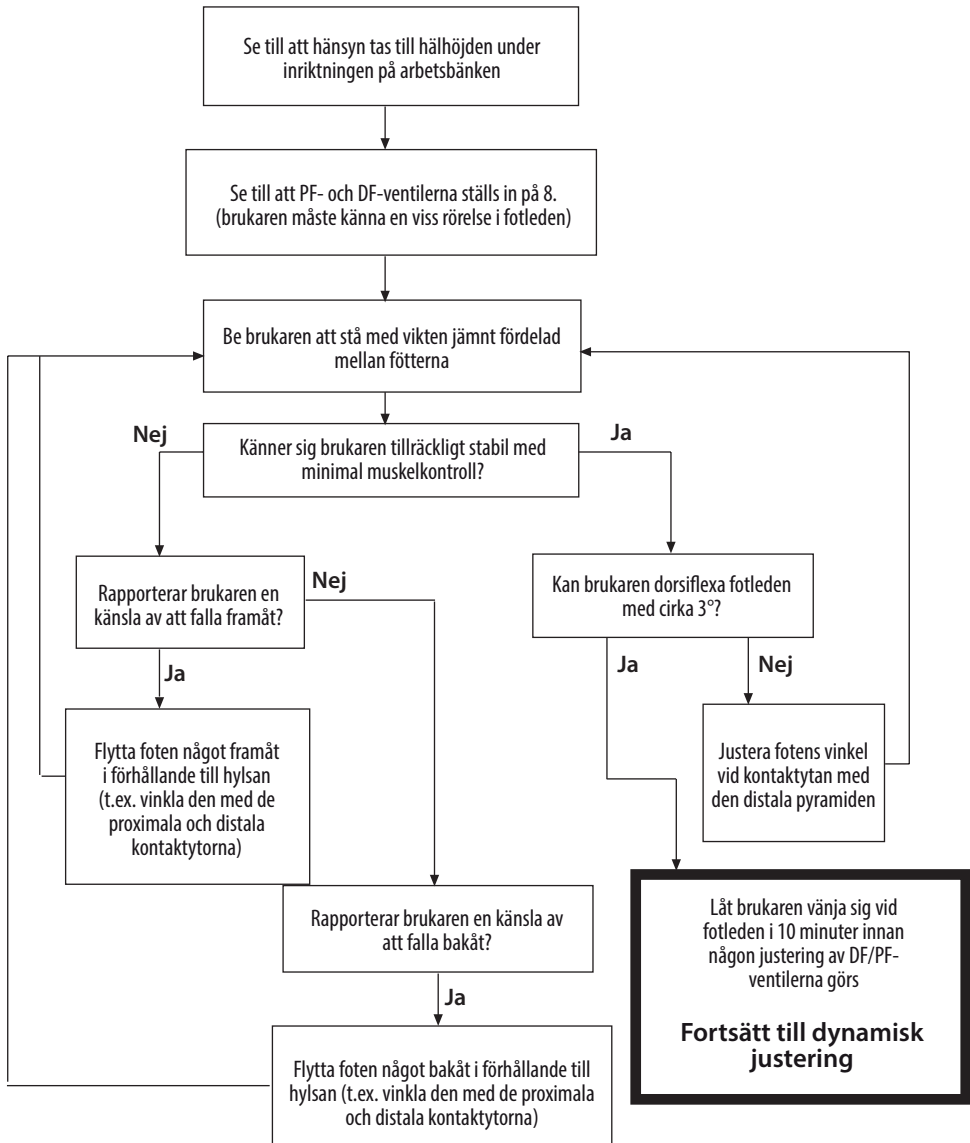
Faller framåt = [hyperflexion]
A-P-förskjutningen för långt bakåt



Se till att brukaren är avslappnad och inte vilar på dorsiflexionsgränsen.

7.3 Biomimetisk justering

Obs... Utför en statisk justering samtidigt som du ser till att brukaren har stöd i t.ex. en barr. Detta är endast stående inriktning.



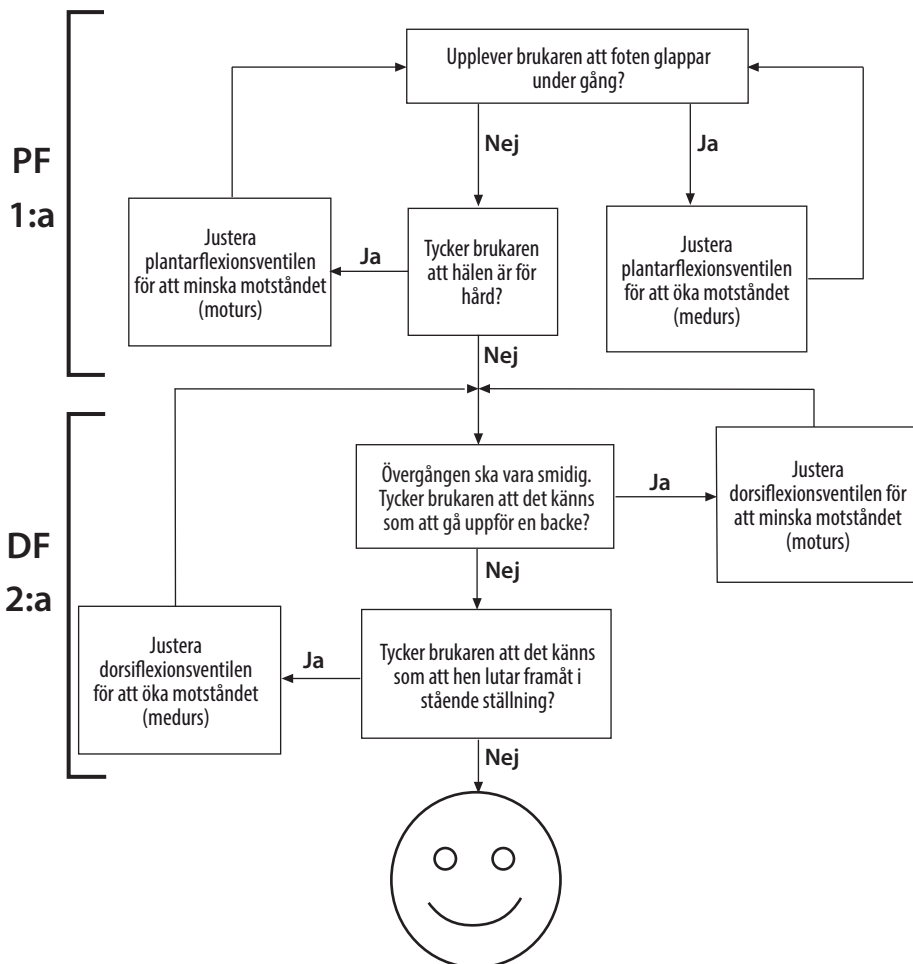
Använd förskjutning för statisk justering och stående ställning.

Enheten bör uppmuntra till en viss självjustering för att brukaren ska få en känsla av balans när hen står upp.

7.4 Dynamisk justering

Justering av hydraulventilerna

Brukaren bör uppleva att fotleden rör sig med kroppen genom gångcykeln. Brukaren ska inte behöva anstränga sig för att övervinna fotledens hydraulmotstånd.



Vägledning

Efter dynamisk justering kan du prova foten/fotleden på ramper och trappor. Se till att brukaren är bekväm med den typ av terräng som hen normalt kan förväntas stöta på. Om brukaren rapporterar några problem med fotledens komfort, användbarhet eller rörelseområde ska du justera den i enlighet med detta.

8 Inpassningsråd

Korrekt inriktning (A–P-position), rörelseområde (fördelning av plantarflexion till dorsiflexion) och justering av hydraulinställningarna är avgörande för att få en jämn rullning genom steget och korrekt lutningsanpassning (se Asvnitt 7.3 *Biomimetisk justering*).

Enhetens axiella fjädrar är konstruerade för att fungera tillsammans med häl- och tåfjädrarna för att ge de flesta brukare en smidig övergång. Den axiella fjädern styr både tryckande och vridande motståndskraft och den typiska axiella rörelsen bör vara mellan 3–6 mm för normal gång.

Enheten finns tillgänglig med 4 axiella fjäderbeteckningar (se avsnitt 1 för mer information).

Låt brukaren få lite tid på sig att vänja sig vid den första konfigurationen.

Om du efter att ha följt anvisningarna nedan fortfarande har problem med funktionen kontaktar du säljteamet i ditt område för att få råd.

Något av det följande kommer att ha en negativ effekt på funktion och stabilitet:


- Felaktigt fjäderval
- Felaktig inriktning av A–P-skifte
- Felaktig fördelning av plantarflexions- och dorsiflexionsområdet

	<i>Symptom</i>	<i>Åtgärd</i>
1.	<ul style="list-style-type: none">• Sjunker ned när hälen sätts i• Svårigheter att uppnå en smidig övergång till stegets mitt• Brukaren tycker att det känns som att gå uppför en backe eller att framfoten känns för lång	<ul style="list-style-type: none">• Ökat plantarflexionsmotstånd• Kontrollera inriktningen av A–P-skiftet och se till att foten inte är placerad för långt fram• Kontrollera fördelningen av plantarflexions- och dorsiflexionsrörelse; se till att plantarflexionsområdet inte är för stort• Kontrollera att fjäderkategorin inte är för mjuk, om så är fallet, montera en fjäder i en högre kategori
2.	<ul style="list-style-type: none">• Övergången från hälsättning till mitt i steget går för snabbt• Svårt att kontrollera energiåterfjädringen från foten vid hälsättningen (minskad knästabilitet)• Brukaren tycker att hälen är för hård, framfoten är för kort	<ul style="list-style-type: none">• Minska plantarflexionsmotståndet• Kontrollera inriktningen av A–P-skiftet och se till att foten inte är placerad för långt bak• Kontrollera fördelningen av plantarflexions- och dorsiflexionsrörelse; se till att plantarflexionsområdet är tillräckligt• Kontrollera att fjäderkategorin inte är för hög för patientens vikt och aktivitetsnivå, om så är fallet, montera en fjäder ur lägre kategori

	Symptom	Åtgärd
3.	<p>Hälkontakt och förflyttning känns OK men:</p> <ul style="list-style-type: none"> • Framfoten känns för mjuk • Framfoten känns för kort • Brukaren tycker att det känns som att gå <i>nedför</i> en backe, eventuellt med minskad knästabilitet • Bristande energiåterfjädring 	<ul style="list-style-type: none"> • Öka dorsiflexionsmotståndet • Kontrollera inriktningen av A–P-skiftet och se till att foten inte är placerad för långt bak • Kontrollera fördelningen av plantarflexions- och dorsiflexionsrörelse; se till att dorsiflexionsområdet inte är för stort • Kontrollera att fjäderkategorin inte är för mjuk för patientens vikt och aktivitetsnivå, om så är fallet, montera en fjäder ur högre kategori
4.	<p>Hälkontakt och förflyttning känns OK men:</p> <ul style="list-style-type: none"> • Framfoten känns för styv • Framfoten känns för lång • Det känns som att gå <i>uppför</i> en backe 	<ul style="list-style-type: none"> • Minska dorsiflexionsmotståndet • Kontrollera inriktningen av A–P-skiftet och se till att foten inte är placerad för långt fram • Kontrollera fördelningen av plantarflexions- och dorsiflexionsrörelse; se till att dorsiflexionsområdet är tillräckligt • Kontrollera att fjäderkategorin inte är för styv för patientens vikt och aktivitetsnivå, om så är fallet, montera en fjäder ur lägre kategori

9 Underhållsinstruktioner

 **Var alltid medveten om risken för att fingrarna kommer i kläm.**

 **Använd alltid lämplig hälso- och säkerhetsutrustning, inklusive utsugsutrustning.**

9.1 Borttagning av fothöljet

1 För in skohornet bakom häljädern.

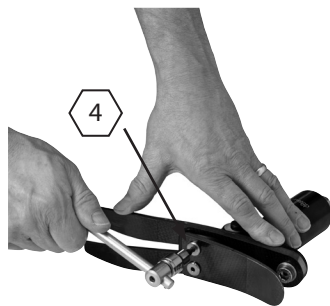


2 Vrid skohornet enligt bilden för att ta bort höljet.

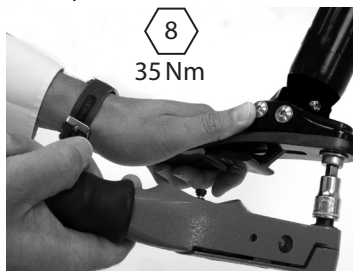


9.2 Byte av häl- och tåfjäder

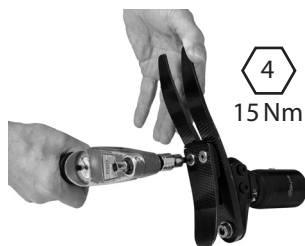
3 Ta bort häljädern och skruvarna.



4 Ta bort tåfjäders skruv, byt ut tån. Använd Loctite 243 (926012) vid återmonteringen och dra åt till ett vridmoment på 35 Nm. Se till att tåfjädern är i mitten av bären.



5 Återmontera med en ny häljäder. Använd Loctite 243 (926012) och dra åt till ett vridmoment på 15 Nm.



6 Täck lämpliga linjer på bären med en permanent svart märkpenna så att numret på fjädersatsen syns.



8

7

Om en skumkosmetik ska monteras, slipa fothöljets ovansida till en grov yta för att skapa en idealisk fästyta.

**8**

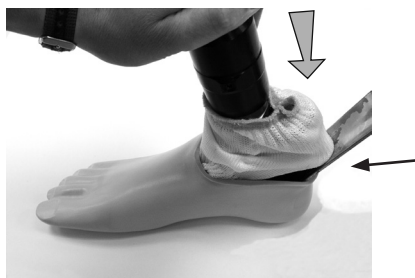
Smörj tån och hälen om det behövs. (Fothöljet är försört.)

**9**

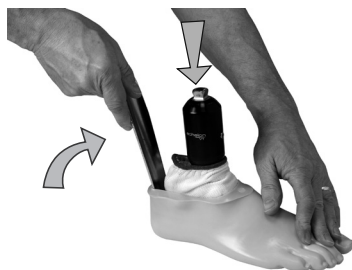
Tävjäderns placering i fothöljet.

10

Använd en lämplig hävstång för att få hälfdjern på plats i fothöljet.

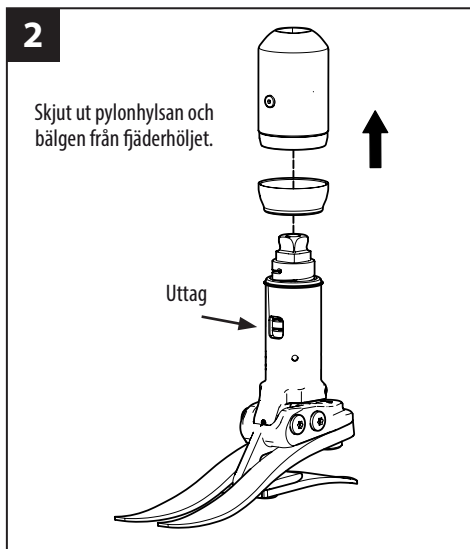
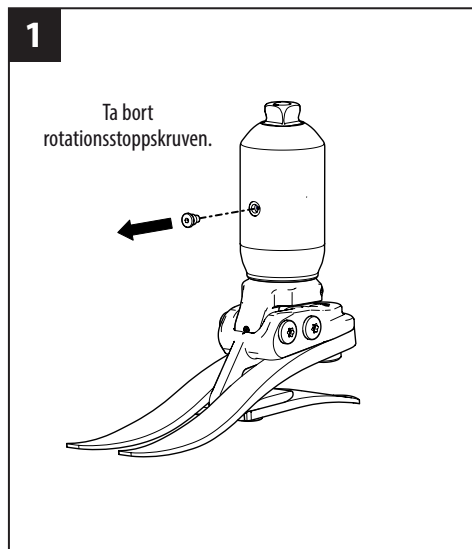
**11**

Se till att hälfdjern sitter i spåret.



Om en kosmetisk finish krävs kontaktar du någon i Blatchfords säljteam.

9.3 Pylonhylsa



Rengör och smörj lagerytan.

Använd Sapphire Endure (928015) eller likvärdigt PTFE-fyllt fett.

9.3.1 Återmontering

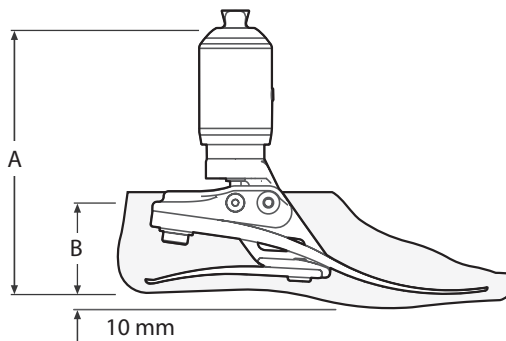
Se till att rotationsstoppsskruven är i linje med uttaget i pylonen. Applicera Loctite 243 och dra åt.

Utbytesbälg finns med artikelnr 534003

10 Tekniska uppgifter

Temperatur vid drift och förvaring:	-15 °C till 50 °C
Komponentvikt (storlek 26N):	1,05 kg
Rekommenderad aktivitetsnivå:	3
Maximal brukarvikt:	125 kg
Storlekar:	22 till 30 cm
Proximalt inriktningssäte:	Hanpyramid (Blatchford) +/- 7°
Fotledens rörelseområde:	6° plantarflexion till 3° dorsiflexion
Maximal rotation:	+/- 15°
Typisk axiell rörelse:	3–6 mm [maximalt 10 mm]
Påbyggnadshöjd:*	22 cm–24 cm 168 mm 25 cm–26 cm 173 mm 27 cm–30 cm 178 mm
Hälhöjd:	10 mm

Inpassningslängd



Storlek	A
22–24	168 mm
25–26	173 mm
27–30	178 mm

Storlek	B
22–26	65 mm
27–28	70 mm
29–30	75 mm

11 Beställningsinformation

Exempel på beställning:

ECVT	25	L	N	3	2	S
	Storlek	Sida (V/H)	Bredd* (N/B)	Fjädersats- kategori	Axiell fjäder	Öppen tå

Finns från storlek 22 till storlek 30:
ECVT22L11S till ECVT30R84S
ECVT22L11SD till ECVT30R84SD

*Endast storlekarna 25–28. Utelämnat fältet för bredd (B) för alla andra storlekar.

(Lägg till "D" för ett fothölje i mörk nyans)

t.ex. ECVT25LN12S, ECVT22R34S, ECVT27RW33SD

Fjädersatser				
Beteckning	Fotstorlekar			
	Liten (S)	Medium (M)	Stor (L)	Extra stor (XL)
	22–24	25–26	27–28	29–30
Sats 1	539801S	539810S	539819S	539828S
Sats 2	539802S	539811S	539820S	539829S
Sats 3	539803S	539812S	539821S	539830S
Sats 4	539804S	539813S	539822S	539831S
Sats 5	539805S	539814S	539823S	539832S
Sats 6	539806S	539815S	539824S	539833S
Sats 7	539807S	539816S	539825S	539834S
Sats 8	539808S	539817S	539826S	539835S

Fothölje (för mörkt, lägg till "D")		
Storlek/ sida	Smal	Bred
22L	539038S	-
22R	539039S	-
23L	539040S	-
23R	539041S	-
24L	539042S	-
24R	539043S	-
25L	539044SN	539044SW
25R	539045SN	539045SW
26L	539046SN	539046SW
26R	539047SN	539047SW
27L	539048SN	539048SW
27R	539049SN	539049SW
28L	539050SN	539050SW
28R	539051SN	539051SW
29L	-	539052S
29R	-	539053S
30L	-	539054S
30R	-	539055S

Produkt	Artikel- nr.
Glidstrumpa (storlek 22–26)	531011
Glidstrumpa (storlek 27–30)	532811
DF/PF-justeringsnyckel, 4 A/F-insex	940236
Bälg	534003
Rotationsstoppskruv	534005

Ansvar

Tillverkaren rekommenderar att enheten endast används under angivna förhållanden och för avsedda ändamål. Enheten måste underhållas i enlighet med de instruktioner som medföljer enheten. Tillverkaren ansvarar inte för eventuella negativa resultat som orsakas av komponentkombinationer som tillverkaren inte har godkänt.

CE-överensstämmelse

Denna produkt uppfyller kraven i EU-förordningen 2017/745 för medicintekniska produkter. Denna produkt är klassificerad som en klass I-produkt enligt de klassificeringsregler som anges i Bilaga VIII till förordningen. EU-försäkran om överensstämmelse finns på följande internetadress: www.blatchford.co.uk



Medicinteknisk utrustning



En patient – flera användningar

Kompatibilitet

Kombination med Blatchford-märkta produkter är godkänt baserat på tester i enlighet med relevanta standarder och MDR, inklusive strukturellt test, dimensionell kompatibilitet och övervakade fältprestanda.

Kombination med alternativa CE-märkta produkter måste utföras med hänsyn till en dokumenterad lokal riskbedömning som utförts av en praktiserande läkare.

Garanti

Den här enheten har 36 månaders garanti – fothöljet 12 månader – glidstrumpan 3 månader. Brukaren bör vara medveten om att ändringar eller modifieringar som inte uttryckligen godkänts kan upphäva garantin, användningslicenserna och undantagen. På Blatchfords webbplats finns aktuell fullständig garanti.

Rapportering av allvarliga incidenter

Om det mot förmodan skulle inträffa en allvarlig incident i samband med den här enheten ska denna rapporteras till tillverkaren och den nationella behöriga myndigheten.

Miljöaspekter

Om möjligt ska komponenterna återvinnas i enlighet med lokala föreskrifter för avfallshantering.

Spara förpackningsetiketten

Du rekommenderas att spara förpackningsetiketten som journal över den levererade enheten.

Varumärkesinformation

Echelon och Blatchford är registrerade varumärken som tillhör Blatchford Products Limited.

Tillverkarens registrerade adress

 Blatchford Products Limited, Lister Road, Basingstoke RG22 4AH, Storbritannien.

Содержание	97
1 Описание и Основное Назначение	98
2 Техника безопасности	100
3 Конструкция	101
4 Функциональность	102
5 Техническое обслуживание	102
6 Ограничения при эксплуатации	103
7 Стендовая юстировка	104
7.1 Статическая юстировка	104
7.2 Биомиметическая юстировка	105
7.3 Биомиметическая настройка	106
7.4 Динамическая юстировка	107
8 Рекомендации по установке	108
9 Инструкции по сборке	110
9.1 Демонтаж косметической калоши	110
9.2 Замена набора пружин мыска и пятки	110
9.3 Корпус пилона	112
10 Спецификация	113
11 Информация для заказа	114

1 Описание и Основное Назначение

Данные инструкции предназначаются только для протезиста.

Термин «устройство» относится к стопе Echelon VT и будет использован далее в настоящей инструкции.

Применение

Данное устройство предназначается исключительно для использования в качестве составной части протеза нижней конечности.

Устройство предназначается только для индивидуального использования.

Данное устройство обеспечивает ограниченную самоустойчивку протезной системы на различных опорных поверхностях, а также дает возможность шиколотке приспосабливаться к смене типа обуви. Кроме того устройство позволяет сохранять здоровье опорно-двигательного аппарата, улучшить осанку и симметрию распределения весовой нагрузки, а также снизить нежелательные нагрузки в области гильзового интерфейса.

Устройство также включает пружинный элемент, способный к амортизации осевой и вращательной нагрузки и предназначается для снижения отрицательного воздействия нагрузок на культю в гильзовом интерфейсе.

Уровень двигательной активности

Данное устройство рекомендуется для пользователей, которые имеют потенциал для достижения Уровня Двигательной Активности 3, а также для тех пользователей кто желает иметь повышенную устойчивость и надежность при ходьбе по неровным опорным поверхностям. Однако есть и исключения, поэтому при назначении устройства необходимо тщательно рассматривать индивидуальные особенности пользователя протезной системы. Существует достаточное число пользователей с Уровнем Двигательной Активности 2 и 4*, которым может требоваться повышенная устойчивость данного устройства, но такие назначения должны быть оправданы.

Уровень Двигательной Активности 1

Пользователь обладает способностью или имеет достаточный потенциал для перемещения на протезе по ровной опорной поверхности с фиксированным темпом ходьбы. Данный уровень типичен для пользователей, которые могут ограниченно или неограниченно перемещаются в пределах помещения.

Уровень Двигательной Активности 2

Пользователь обладает способностью или имеет достаточный потенциал для перемещения на протезе, а также обладает способностью преодолевать невысокие естественные препятствия, такие как бордюры, ступени лестниц или неровные поверхности. Данный уровень типичен для пользователей, которые ограниченно перемещаются вне пределов помещения.

Уровень Двигательной Активности 3

Пользователь обладает способностью или имеет достаточный потенциал для перемещения на протезе в переменном темпе вне помещения. Данный уровень типичен для пользователей, которые могут преодолевать большинство естественных препятствий, а также имеющих дополнительные потребности при использовании протеза не только для простого перемещения, но например, при ведении профессиональной деятельности, прохождении лечебно-профилактических процедур или занятий любительским спортом.

Уровень Двигательной Активности 4

Пользователь обладает способностью или имеет достаточный потенциал для перемещения на протезе вне помещения, превышающий базовые типы перемещений, и сталкивающийся с повышенными вертикальными ударными воздействиями, связанными с высокой нагрузкой на протез при ходьбе. Данный уровень типичен для детей, активных взрослых или спортивных пользователей.

*При максимальном весе пользователя в 100кг и уровне двигательной активности 4, следует всегда выбирать жесткость набора пружин на единицу больше, чем это указано в таблице выбора Набора Пружин Стопы.

Противопоказания

Данное устройство может не подойти пользователям с Уровнем Двигательной Активности 1, а также пользователям, принимающим участие в профессиональных спортивных соревнованиях, для таких пользователей необходимо подбирать оптимальные специализированные протезные устройства, с учетом их индивидуальных особенностей и потребностей.

Протезист обязан убедиться, что пользователь ознакомился и осознал все инструкции по эксплуатации устройства, при этом особое внимание следует уделить разделам, касающихся Техники Безопасности и Технического Обслуживания

Клинические преимущества

- Увеличенный подъем мыска стопы над опорной поверхностью (клиренс) снижает потенциальный риск спотыкания или падения
- Улучшенная устойчивость и баланс за счет применения самоустировки
- Улучшенная адаптация при ходьбе по наклонным опорным поверхностям
- Улучшенная кинетика и симметричность походки
- Снижена нагрузка на культю
- Снижение уровня нагрузки на культю
- Снижает боли в спине за счет применения торсионного ротатора
- Увеличенная скорость ходьбы

Таблица Выбора Набора Пружин Стопы

Уровень Двигательной Активности 3

44-52	53-59	60-68	69-77	78-88	89-100	101-116	117-125	kg	Вес пользователя
1	2	3	4	5	6	7	8		Набор пружин стопы
	●	●●		●●●		●●●●			Маркировка категории жесткости осевой пружины торсионного амортизатора
1		2		3		4			

Примечание: При возникновении сомнений относительно выбора между двумя категориями жесткости набора пружин стопы, следует выбрать наиболее жесткую категорию.

Приведенные рекомендации по выбору категории жесткости пружин стопы предназначены для пользователей с ампутацией на уровне голени.

Для пользователей с ампутацией на уровне бедра мы рекомендуем выбрать категорию жесткости пружин стопы на одну категорию ниже, чем приведена в таблице, для обеспечения удовлетворительной функциональности изделия и приемлемого диапазона движений, обратитесь к Разделу 8 *Рекомендации по установке*.

2 Техника безопасности



Символом «Внимание» выделяются наиболее важные правила, которые должны соблюдаться неукоснительно.



При любых изменениях в работе или функциональности протеза, например ограничение диапазона движения, не плавном перемещении или возникновении посторонних шумов, пользователь должен немедленно сообщить об этом своему протезисту.



При спуске по лестнице, а также везде, где это возможно, используйте опорные перила.



Устройство не предназначается для экстремальных спортивных занятий, забегов, велогонок, соревнований на коньках, лыжах, санках, а также для ходьбы по экстремальным наклонным опорным поверхностям и стремянкам. В этом случае вся ответственность за возможные последствия целиком возлагается на пользователя протезной системы. Допускается любительская езда на велосипеде.



К установке, настройке и техническому обслуживанию устройства допускается только специально обученный и сертифицированный в учебных центрах Blatchford персонал.



Пользователь также обязан незамедлительно сообщить своему протезисту о любых ощутимых изменениях в своем состоянии (в массе тела и/или уровне двигательной активности, а также условий эксплуатации протеза, например, при переезде из городской в сельскую местность).



Убедитесь в том, чтобы Ваше транспортное средство оборудовано всем необходимым для управления человеком с ограниченными возможностями. При вождении транспортного средства пользователь обязан строго соблюдать правила дорожного движения.



Для снижения потенциального риска подскользывания и спотыкания, необходимо всегда использовать подходящую обувь, которая надежно облегает косметическую калосу стопы.



После продолжительной эксплуатации щиколотка может оказаться горячей на ощупь - это нормально.



Избегайте эксплуатировать или хранить устройство в условиях экстремального нагрева или охлаждения.



Пользователь не имеет право вносить изменения в юстировку или настройку устройства.

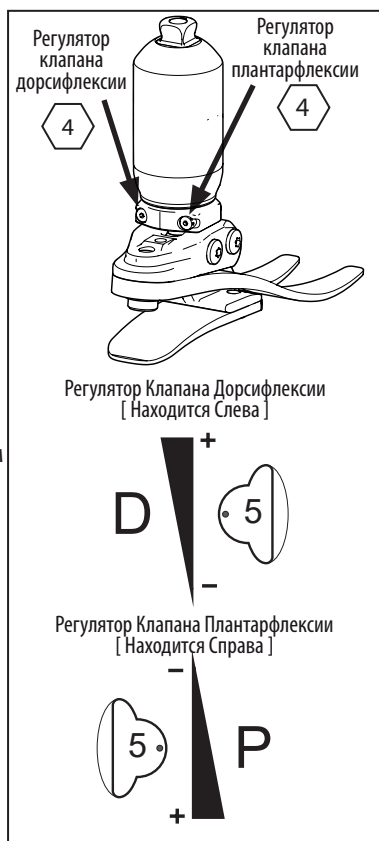


Всегда помните о потенциальной опасности защемления пальцев рабочими механизмами устройства.

3 Конструкция

Составные части

- Узел Сборки Корпуса с Гидравлической Системой и Пилоном (алюминиевый сплав/ нержавеющая сталь/титановый сплав)
- Сборка несущей (алюминиевый сплав/нержавеющая сталь)
- Пружины Пятки и Мыска (композиционное углеволокно)
- Винты крепления пружин (титановый сплав/нержавеющая сталь)
- Скользящий Носок (ткань на основе сверхвысокомолекулярного полиэтилена высокой плотности)
- Косметическая Калоша (полиуретан)



4 Функциональность

Данное устройство содержит узел сборки корпуса с гидравлической системой и пружину, которые позволяют пилону с адаптером-пирамидкой ограниченно отклоняться и/или вращаться под воздействием осевой вертикальной и/или торсионной нагрузки. После снятия нагрузки пружина возвращается в исходное положение.

Эффект этого движения состоит в том, чтобы амортизировать любое вертикальное осевое воздействие, которое в противном случае передавалось бы в гильзовый интерфейс в вертикальном осевом и вращательном направлениях.

Узел сборки корпуса с гидравлической системой соединен со Сборкой Несущей при помощи двух шарнирных штифтов. Пружины пятки и мыска стопы крепятся к Сборке Несущей при помощи крепежных винтов из титанового сплава и нержавеющей стали. На стопу надевается скользящий носок из ткани на основе сверхвысокомолекулярного полиэтилена высокой плотности, а сама стопа размещается в косметической калоше из полиуретана.

5 Техническое обслуживание

Все работы по техническому обслуживанию протезной системы должны выполняться только сертифицированным персоналом, прошедшим обучение на Blatchford.

Рекомендуется проведение следующего ежегодного технического обслуживания протезной системы:

- Визуальный осмотр устройства на предмет обнаружения дефектов, способных повлиять на его функциональность
- Очистить от загрязнений и старой смазки поверхность втулок-подшипников и смазать их повторно. Используйте сапфировую смазку (928015) или эквивалентную политетрафторэтиленовую (PTFE) смазку (см. Раздел 9 *Инструкции по сборке*).
- Демонтаж косметической калоши и скользящего носка, проверка их на пригодность, в случае обнаружения разрушений или разрывов, их следует заменить на новые.
- Проверка надежности крепления всех механических соединений, при необходимости очистите их от загрязнений и установите обратно.
- Тщательный визуальный осмотр пружины мыска и пятки стопы на предмет обнаружения изнашивания, разрушений, расслоение углеволокна и деформации, при необходимости замените их на новые. Небольшие поверхностные потертости пружин, возникшие в процессе эксплуатации, не влияют на работоспособность и прочность стопы.

О любых изменениях в работе данного устройства пользователь обязан незамедлительно сообщить своему протезисту.

Изменения в работе могут включать в себя следующее:

- Увеличение жесткости циклолотки
- Изменение осевой или торсионной жесткости
- Снижение устойчивости циклолотки (свободное движение циклолотки)
- Излишняя мягкость пружин
- Излишний люфт во втулках-подшипниках
- Любые посторонние шумы

Пользователь также обязан незамедлительно сообщить своему протезисту о любых изменениях в массе тела /или уровне двигательной активности, а также условий эксплуатации протеза, например, при переезде из городской в сельскую местность.

Пользователь должен быть предупрежден о необходимости проведения регулярного визуального осмотра стопы, а при обнаружении признаков износа, которые могут повлиять на функциональность устройства, следует немедленно сообщить протезисту (например, при значительном износе или чрезмерном обесцвечивании в результате длительного воздействия УФ-излучения).

Очистка от загрязнений

Для того чтобы очистить внешнюю поверхность устройства от загрязнений используйте влажную не ворсистую салфетку и детское мыло, ни в коем случае не используйте всевозможные агрессивные моющие средства.

6 Ограничения при эксплуатации

Срок службы изделия

Необходимо провести индивидуальную оценку рисков на основании двигательной активности пользователя и ожидаемых условий эксплуатации устройства.

Поднятие тяжестей

Ограничения зависят от веса пользователя и его уровня двигательной активности.

При переносе тяжестей пользователем должна быть учтена индивидуальная оценка степени риска.

Условия эксплуатации

При пользовании устройством следует избегать воздействие коррозионных реагентов, таких как вода, кислоты и прочие жидкости. Также следует избегать воздействие абразивных сред как, например, песок, поскольку это может вызвать преждевременный износ изделия, его заклинивание и другие повреждения.

Изделие допускается эксплуатироваться только при температурах от -15°C до $+50^{\circ}\text{C}$ (от 5°F до 122°F)



Подходит для всепогодной
эксплуатации

7 Стендовая юстировка

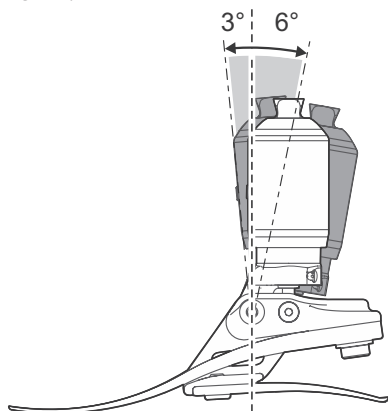
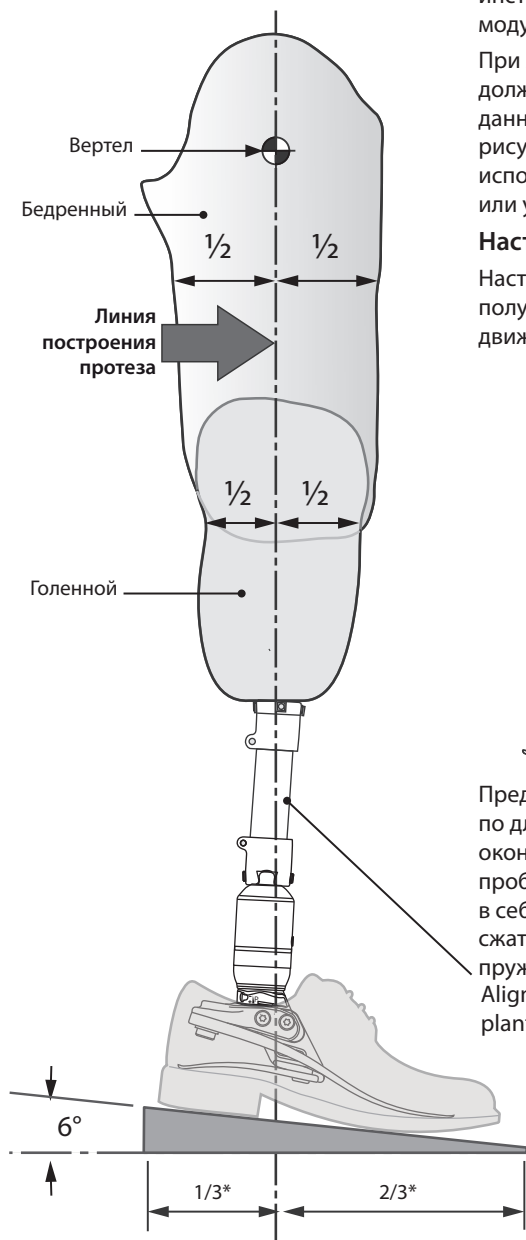
7.1 Статическая юстировка

Юстировка компонентов бедренной системы проводится в соответствие с инструкциями, поставляемыми с коленным модулем.

При этом линия построения протеза должна проходить относительно осей данного устройства так, как это показано на рисунке, при необходимости для юстировки используйте соответствующие сдвиговые или угловые юстировочные адаптеры.

Настройка номинального наклона

Настройте протез таким образом, чтобы был получен показанный на рисунке диапазон движения.



Предварительно обрежьте опору голени по длине с учетом припуска в 10-15 мм для окончательной подгонки. **Заметьте** что пробная длина обычно должна включать в себя 10мм припуск для учета осевого сжатия пружин пятки, мыска и осевой пружины торсионного амортизатора. Align with shoe on and foot fully plantar-flexed.

Юстировка проводится с надетой на стопу пользователя предпочитаемой обувью при полностью выбранной плантарфлексии.

*Приблизительное соотношение

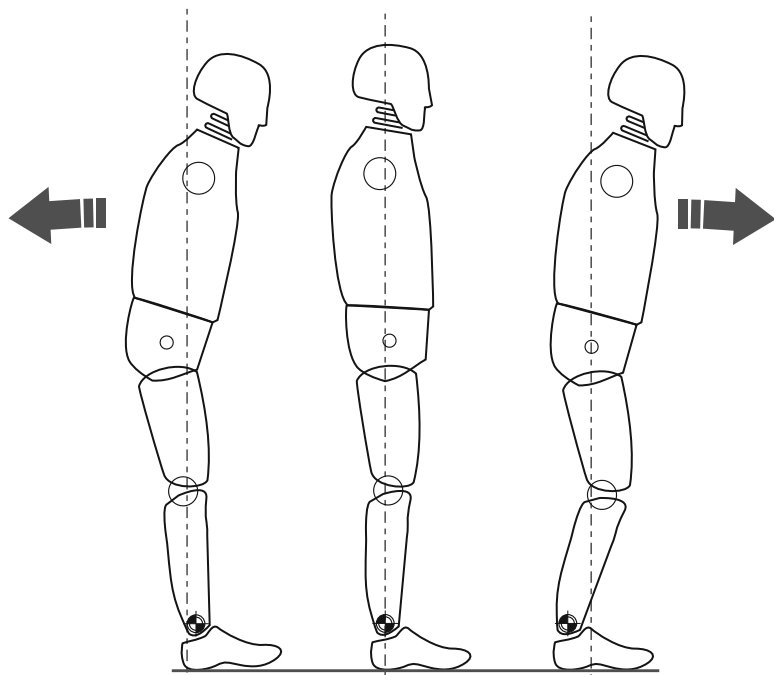
7.2 Биомиметическая юстировка

Цель проведения биометрической юстировки заключается в том, чтобы достигнуть точки равновесного баланса при нахождении пользователя в положении стоя и настроить гидравлический диапазон демпфированного движения щиколотки. Смысл настройки демпфирования состоит в том, чтобы точно настроить характеристики системы щиколотка-стопа, обеспечить плавность переката, настроить характеристики жесткости и достигнуть оптимальной и комфортной походки для данного пользователя. Из-за увеличенного диапазона движения, обеспечиваемого щиколоткой, пользователь может испытать потребность в большем принудительном управлении и первоначально посчитать щиколотку дезорганизирующей или неустойчивой во время проведения юстировки. После завершения проведения корректной юстировки это ощущение должно уйти.

Завал назад =
(переразгибание или гиперэкстензия)
сдвиг в плоскости А-Р (вперед-назад)
сделан излишне далеко вперед



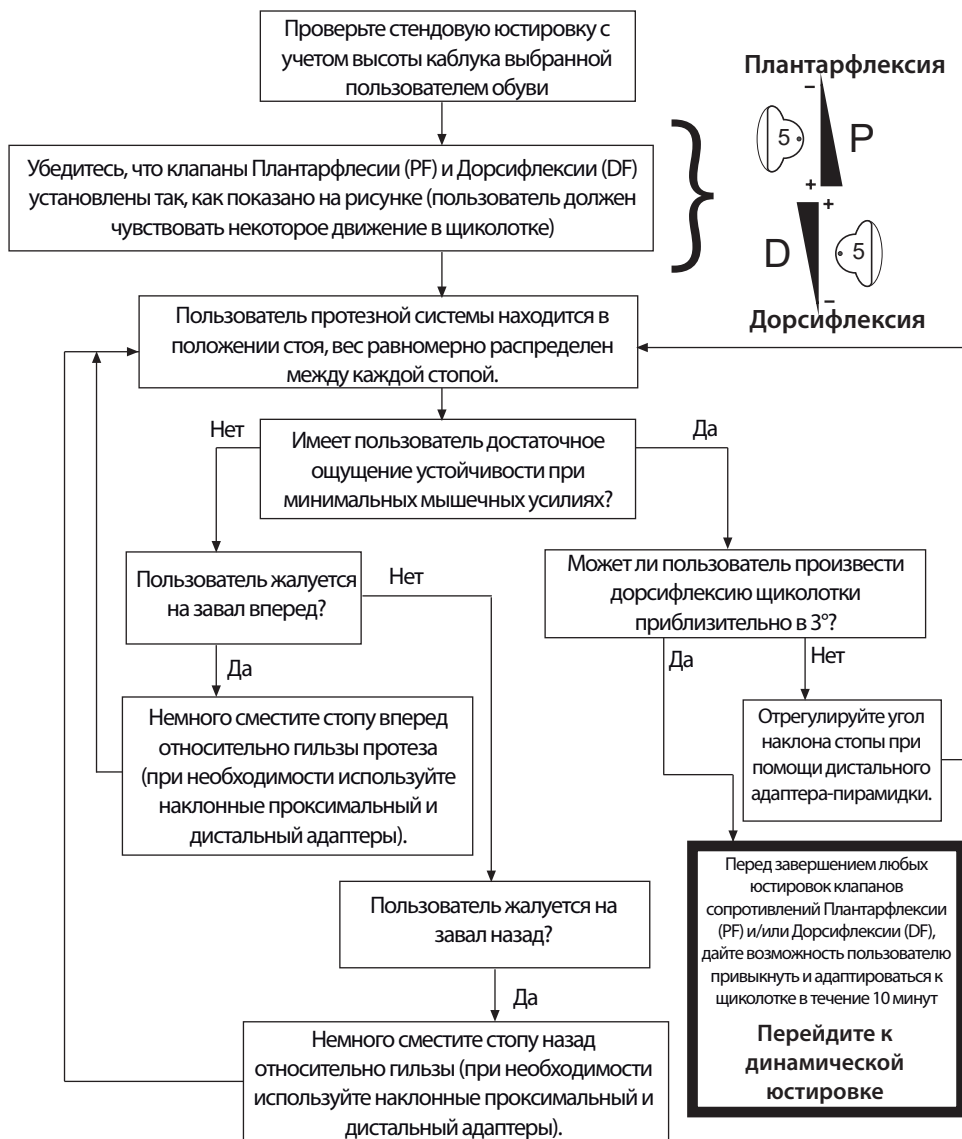
Завал вперед =
(пересигибание или гиперфлексия)
сдвиг в плоскости А-Р (вперед-назад)
сделан излишне далеко назад



Убедитесь в том, чтобы пользователь стоя в вертикальном положении не ограничивал дорсифлексию.

7.3 Биомиметическая настройка

Примечание: При проведении статической юстировки пользователь должен пользоваться средствами опоры: например, страховочными перилами. Описанная процедура относится только к статичной юстировке.

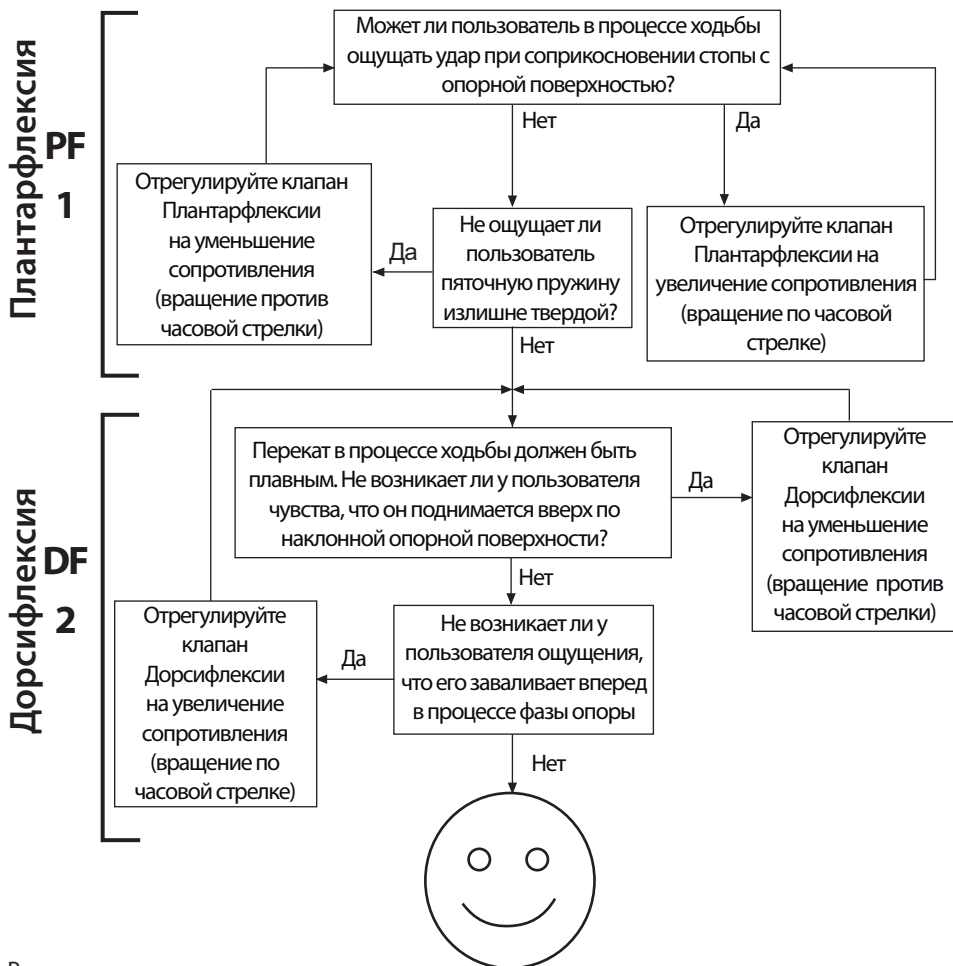


Используйте сдвиговую юстировку при проведении статической и стендовой юстировок. Устройство должно иметь некоторую степень самоюстировки (в несколько градусов) для придания ощущения равновесия пользователю при нахождении в положении стоя.

7.4 Динамическая юстировка

Настройка гидравлических клапанов

Пользователь должен ощутить, как гидравлическая щиколотка плавно движется вместе с телом во время цикла ходьбы. Пользователь не должен прилагать никаких усилий для преодоления гидравлического сопротивления щиколотки.



Рекомендации

После проведения динамической юстировки необходимо проверить функциональность протезной системы щиколотка/стопа при ходьбе по наклонным опорным плоскостям и лестнице. Убедитесь в том, что пользователю удобно ходить по опорной поверхности того типа, с которой он/она обычно сталкивается в повседневной жизни.

Если пользователь сообщает о каких-либо проблемах с комфортом, удобством пользования или с диапазоном движения щиколотки, произведите соответствующую юстировку.

При спуске по лестнице, для предотвращения чрезмерной плантарфлексии, стопу следует располагать так, чтобы край ступеньки совпадал примерно с серединой устройства.

8 Рекомендации по установке

Корректная юстировка в плоскости А-Р (Вперед-Назад), а также диапазон движения (распределение от плантарфлексии к дорсифлексии) и точная настройка гидравлических параметров очень критичны для достижения плавности переката и правильной адаптации стопы к наклонной опорной поверхности (смотри раздел 7.3 *Биомиметическая настройка*).

Данное устройство имеет осевую пружину, которая работает совместно с пружинами мыска и пятки, обеспечивая плавный перекат в процессе ходьбы для большинства пользователей. Осевая пружина управляет как вертикальной амортизацией, так и упругим торсионным вращением, при этом при нормальной ходьбе осевое движение составляет 3 - 6 мм.

Данное устройство может поставляться с осевыми пружинами торсионного амортизатора 4-х градаций жесткости (см. Раздел 1).

Дайте пользователю некоторое время, чтобы освоиться с первоначальными настройками устройства.

Если после проведения всех настроек согласно данным инструкциям имеются проблемы с функциональностью, пожалуйста, свяжитесь для консультации и решения этих проблем с вашим поставщиком.


Любые из ниже перечисленных недостатков могут негативным образом отразиться на функциональности стопы и устойчивости протезной системы:


- Неправильный выбор категории жесткости набора пружин
- Неправильная юстировка в плоскости А-Р (Вперед-Назад)
- Неправильное распределение диапазона плантарфлексии и дорсифлексии

	<i>Симптомы</i>	<i>Методы решения</i>
1.	<ul style="list-style-type: none">• Снижение пяточного удара• Затруднения в достижении плавного переката в середине фазы опоры• Пользователю кажется, что он поднимается вверх по наклонной опорной поверхности или что передний отдел стопы слишком длинный	<ul style="list-style-type: none">• Увеличьте сопротивление плантарфлексии.• Проверьте сдвиговую юстировку в плоскости А-Р (Вперед-Назад); убедитесь, что стопа не имеет излишнего смещения вперед• Проверьте распределение движений плантарфлексии и дорсифлексии; убедитесь, что диапазон плантарфлексии не является избыточным• Убедитесь в том, что набор пружин стопы не является излишне мягким, в противном случае установите более жесткий набор пружин.
2.	<ul style="list-style-type: none">• Перекат при пяточном ударе в середине фазы опоры происходит слишком быстро• Затруднения в управлении возвратом энергии при пяточном ударе (снижение устойчивости протеза)• Пользователю кажется, что пятка стопы слишком жесткая, или что передний отдел стопы слишком короткий.	<ul style="list-style-type: none">• Уменьшите сопротивление плантарфлексии• Проверьте сдвиговую юстировку в плоскости А-Р (Вперед-Назад); убедитесь, что стопа не имеет излишнего смещения назад• Проверьте распределение движений плантарфлексии и дорсифлексии; убедитесь, что диапазон плантарфлексии является достаточным• Убедитесь в том, что набор пружин стопы не является излишне жестким для данного пользователя с учетом его веса и уровня двигательной активности, в противном случае установите более мягкий набор пружин

	<i>Симптомы</i>	<i>Методы решения</i>
3.	<p>Пяточный удар и перекал стопы удовлетворительны, однако, пользователю кажется, что:</p> <ul style="list-style-type: none"> • Передний отдел стопы слишком мягкий • Передний отдел стопы слишком короткий • Он идет под уклон, и возможно, со снижением устойчивости он ощущает нехватку возврата энергии 	<ul style="list-style-type: none"> • Увеличьте сопротивление дорсифлексии • Проверьте сдвиговую юстировку в плоскости А-Р (Вперед-Назад); убедитесь, что стопа не имеет излишнего смещения назад • Проверьте корректность распределения движений плантарфлексии и дорсифлексии; убедитесь, что диапазон плантарфлексии не является избыточным • Убедитесь в том, что набор пружин стопы не является излишне мягким для данного пользователя с учетом его веса и уровня двигательной активности, в противном случае установите более жесткий набор пружин
4.	<p>Пяточный удар и перекал стопы удовлетворительны, однако, пользователю кажется, что:</p> <ul style="list-style-type: none"> • Передний отдел стопы слишком твердый • Передний отдел стопы слишком длинный • Он поднимается вверх по наклонной опорной поверхности 	<ul style="list-style-type: none"> • Уменьшите сопротивление дорсифлексии • Проверьте сдвиговую юстировку в плоскости А-Р (Вперед-Назад); убедитесь, что стопа не имеет излишнего смещения вперед • Проверьте распределение движений плантарфлексии и дорсифлексии; убедитесь, что диапазон плантарфлексии является достаточным • Убедитесь в том, что набор пружин стопы не является излишне жестким для данного пользователя с учетом его веса и уровня двигательной активности, в противном случае установите более мягкий набор пружин

9 Инструкции по сборке

 Всегда помните о потенциальной опасности защемления пальцев рабочими механизмами устройства.

 Всегда используйте соответствующее оборудование для соблюдения техники безопасности, включая использование личных средств защиты.

9.1 Демонтаж косметической калоши

1 Аккуратно вставьте обувной рожек в косметическую калошу позади пяточной пружины



2 Для демонтажа косметической калоши аккуратно поверните обувной рожек так, как это показано на рисунке.



9.2 Замена набора пружин мыска и пятки

3 Демонтируйте пружину пятки стопы и крепежные винты.



4 Удалите крепежные винты пружины мыска и замените пружину мыска. После повторной установки используйте резьбовой фиксатор Loctite 243 (шифр: 926012) и затяните винты с усилием в 35 Нм. Убедитесь, что пружина мыска расположена по центру сборки несущей.



5 Заново соберите всю конструкцию, заменив пружину пятки стопы. Используйте резьбовой фиксатор Loctite 243 (шифр: 926012) и затяните винты с усилием в 15 Нм.



6 Закрасьте перманентным черным маркером соответствующие недействующие сегменты на сборке несущей, обозначив категорию жесткости набора пружин, значащие сегменты номера не закрашиваются.



7

При необходимости установки косметической облицовки, рекомендуется зашкурить верхнюю поверхность косметической калоши с целью получения идеальной поверхности для склеивания.

**8**

При необходимости смажьте пружины мыска и пятки.
(Новая косметическая калоша поставляется с уже нанесенной на нее смазкой).

**9**

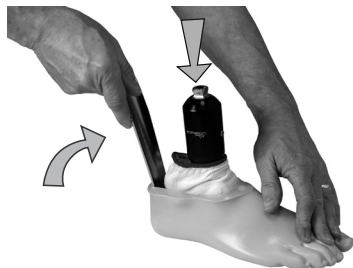
Аккуратно задвиньте сборку несущей и пружину пятки внутрь косметической калоши.

10

С помощью подходящего обувного рожа аккуратно вставьте пружину пятки в косметическую калошу.

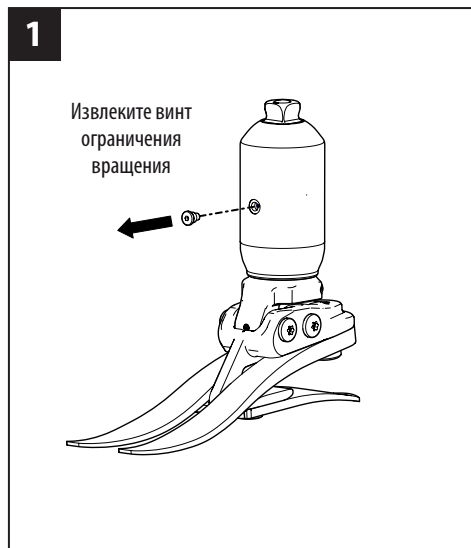
**11**

Убедитесь в том, что пружина пятки корректно расположилась в пазу косметической калоши.



Если требуется применение финишной косметической облицовки, обратитесь, пожалуйста, к вашему представителю компании Blatchford.

9.3 Корпус пилона



Аккуратно очистите поверхность втулки-подшипника от старой смазки и нанесите новую. Для этого используйте сапфировую смазку (928015) или эквивалентную политетрафторэтиленовую (PTFE) смазку.

9.3.1 Повторная сборка

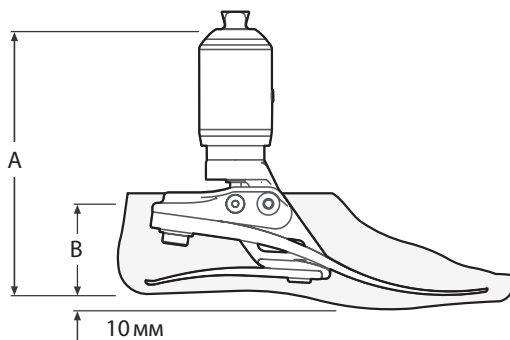
Убедитесь в том, чтобы винт ограничения вращения корректно установлен и затянут с применением резьбового фиксатора Loctite 243, в отверстие на корпусе пилона, которое правильно совмещено с пазом на устройстве.

Сменная манжета, шифр 534003

10 Спецификация

Температурный диапазон Хранения и Эксплуатации:	от -15 °С до +50 °С (от 5 °F до 122 °F)
Вес изделия (для стопы размером 26, узкая ширина):	1,05 кг (2 фунта 3 унции)
Рекомендуемый Уровень Двигательной Активности:	3
Максимальный вес пользователя:	125 кг (275 фунтов)
Размерный ряд:	с 22 по 30 см
Проксимальное крепление/юстировка:	адаптер-пирамидка (Blatchford)
Диапазон юстировки:	угловая юстировка $\pm 7^\circ$
Диапазон движения щиколотки:	от 6° плантрафлексии до 3° дорсифлексии
Максимальная ротация:	+/- 15°
Типичное осевое перемещение:	3 - 6 мм [максимальный 10 мм]
Высота конструкции:*	для размеров 22см - 24см - 168мм для размеров 25см - 26см - 173мм для размеров 27см - 30см - 178мм
Высота подъема каблука:	10мм

Сборочные размеры



Размер	A
22-24	168 мм
25-26	173 мм
27-30	178 мм

Размер	B
22-26	65 мм
27-28	70 мм
29-30	75 мм

11 Информация для заказа

Пример заказа:

ECVT	25	L	N	3	2	S
Размер	Сторона	Ширина*	Категория	Жесткость	Анатомический	
	L - Левая	N - узкая	жесткости	осевой	мысок	
	R - Правая	W - широкая	набора	пружины		
			пружин			

Размерный ряд с 22 по 30:
с ECVT22L11S по ECVT30R84S
с ECVT22L11SD по ECVT30R84SD

(для косметической калоши темного цвета к шифру изделия добавляется литера 'D')

* Актуально только для размеров 25-28. Для остальных размеров параметр 'Ширина' можно не указывать.

Например: ECVT25LN12S, ECVT22R34S, ECVT27RW33SD

Набор пружин стопы				
Категория жесткости набора пружин	Размер стопы			
	Маленькая (S)	Средняя (M)	Большая (L)	Экстра Большая (XL)
	22-24	25-26	27-28	29-30
Набор 1	539801S	539810S	539819S	539828S
Набор 2	539802S	539811S	539820S	539829S
Набор 3	539803S	539812S	539821S	539830S
Набор 4	539804S	539813S	539822S	539831S
Набор 5	539805S	539814S	539823S	539832S
Набор 6	539806S	539815S	539824S	539833S
Набор 7	539807S	539816S	539825S	539834S
Набор 8	539808S	539817S	539826S	539835S

Косметическая калоша		
(для косметической калоши темного цвета, к шифру изделия добавляется литера 'D') R - правая; L - левая		
Размер/Сторона	Узкая	Широкая
22L	539038S	-
22R	539039S	-
23L	539040S	-
23R	539041S	-
24L	539042S	-
24R	539043S	-
25L	539044SN	539044SW
25R	539045SN	539045SW
26L	539046SN	539046SW
26R	539047SN	53975SW
27L	539048SN	539048SW
27R	539049SN	539049SW
28L	539050SN	539050SW
28R	539051SN	539051SW
29L	-	539052S
29R	-	539053S
30L	-	539054S
30R	-	539055S

Описание	Шифр
Скользкий носок (для размеров 22-26)	531011
Скользкий носок (для размеров 27-30)	532811
Шестигранный юстировочный ключ 4 A/F для регулировки клапанов Дорсифлексии и Плантарфлексии	940236
Манжета пилона	534003
Винт ограничения вращения	534005

Ответственность

Изготовитель рекомендует использовать данное устройство только в указанных условиях и предусмотренных целях. Обслуживание устройства должно проводиться согласно прилагаемой к устройству инструкции по эксплуатации. Производитель не несет ответственности за ущерб, вызванный применением комбинацией компонентов, не разрешенной изготовителем.

Соответствие стандартам Евросоюза

Данное изделие соответствует требованиям Евростандарта EU 2017/745 для медицинских изделий. Данное изделие относится к категории устройств класса I в соответствии с критериями классификации, изложенными в Приложении VIII данного Стандарта. Декларация соответствия стандартам Евросоюза доступна для скачивания на сайте компании по адресу: www.blatchford.co.uk



Медицинское устройство



Индивидуальное многократное использование

Совместимость

Допускаются комбинации изделий производства компании Blatchford на основании тестирования по соответствующим стандартам, в том числе и стандартам на Медицинские Устройства (MDR), включая структурные испытания, совместимость размеров и другие контролируемые эксплуатационные характеристики.

Комбинация с альтернативными изделиями, имеющими маркировку Соответствия Стандартам Евросоюза (CE), должна выполняться с учетом оценки локальной степени риска, проводимой компетентным специалистом.

Гарантийные обязательства

Гарантия на данное устройство составляет 36 месяцев - на косметическую калошу - 12 месяцев, на скользящий носок - 3 месяца. Пользователь должен быть предупрежден о том, что любые изменения в конструкции изделия или его модификация, не согласованные с изготовителем, аннулируют гарантию. Для получения подробной информации о гарантии, пожалуйста, обратитесь к сайту компании Blatchford.

Побочные эффекты и инциденты

Возникновение побочных эффектов и серьезных инцидентов, связанного с данным устройством, маловероятно, тем не менее, в случае возникновения таковых, следует сообщить об этом производителю и представителю Blatchford в вашем регионе.

Экологические аспекты

По возможности компоненты устройства следует утилизировать в соответствии с правилами местного законодательства по утилизации и обращению с отходами.

Сохранение этикетки на упаковке

Рекомендуется сохранять этикетку на упаковке, поскольку она содержит необходимые данные о поставляемом устройстве.

Торговые марки

Echelon и Blatchford являются зарегистрированными торговыми марками компании Blatchford Products Limited.

Зарегистрированный адрес производителя

 Blatchford Products Limited, Lister Road, Basingstoke RG22 4AH.

目录.....	116
1 描述说明及预期	117
2 安全须知.....	119
3 构造.....	120
4 功能.....	121
5 维护.....	121
6 使用限制.....	122
7 基本对线.....	123
7.1 静态对线	123
7.2 仿生对线	124
7.3 仿生调整	125
7.4 动态调整	126
8 安装建议.....	127
9 维护说明.....	129
9.1 拆除脚壳	129
9.2 更换足跟及趾骨弹簧.....	129
9.3 管套.....	131
10技术数据.....	132
11订购须知.....	133

1 描述说明及预期

本说明供执业医师使用。

在本文中频繁出现的“装置”一词用于指代 EchelonVT。

用途

本装置仅作为下肢假肢的一部分使用。

供单人使用。

本装置可在复杂地形上以及换鞋后提供有限的假肢自适应对线功能。它旨在改善摆姿和对称性，同时缓解接受腔界面的异常压力。本装置还带有一个可以吸收轴向冲击力和旋转冲击力的弹簧部件，旨在降低残肢/接受腔界面的剪切应力。

活动等级

本装置建议由有潜力达到 3 级活动水平的用户使用，他们可以在不平坦表面获得更高的稳定性和更强的信心。轴向弹簧提供的额外减震效果和弹性旨在提高舒适性和性能。

当然，也存在例外情况。通过我们的建议，我们希望用户可以根据自身情况实现独特的个性化应用。许多 2 级和 4 级*活动水平的用户也可能得益于本装置更好的稳定性，但应在充分考虑其合理性之后再决定是否使用。

1 级活动等级

具有用假肢以固定步频在水平面上活动或行走的能力或潜力。通常为受限或不受限活动者。

2 级活动等级

具有行走的能力或潜力，能够跨越低矮的环境障碍物，如路缘石、台阶或不平坦表面。通常为受限的社区活动者。

3 级活动等级

具备以不同步频行走的能力或潜力。

能够跨越大多数环境障碍物，可能需要在假肢的辅助下从事简单活动以外的职业、治疗或锻炼类活动，通常为社区活动者。

4 级活动等级

具有用假肢行走的能力或潜力，行走技能超过基础水平，表现出高冲击力、应力或能量等级。通常为有假肢需求的儿童、活跃型成年人或运动员。

(*用户体重上限 100 千克，所用弹簧的刚度应始终比“弹簧组选择表”所示等级高一级。)

不适用

本装置可能不适合 1 级活动水平的人士或竞技类体育活动参与者, 此类用户更适合使用经过专门设计, 能够满足其特殊需求的义肢。

确保用户理解使用说明的所有内容, 尤其是维护部分。

临床优势

- 离地间隙更大, 可降低绊倒和摔倒风险
- 通过自适应对线改善平衡
- 改善应对斜坡的地面接触稳定性
- 改善步态的动力对称性
- 残肢的负荷更低
- 残肢负荷率更低
- 扭转时腰痛减轻
- 步行速度更快

弹片等级的选择

3 级活动等级

44-52	53-59	60-68	69-77	78-88	89-100	101-116	117-125	千克	用户体重
1	2	3	4	5	6	7	8		足部弹簧组
	●	●●		●●●		●●●●			轴向减振器
1		2		3		4			弹簧刚度












注意... 如果无法确定应选择哪种弹片等级, 可选择硬度等级较高者。建议使用的脚板弹片等级适用于小腿截肢用户。

对于大腿义肢用户, 我们建议选择刚度低一个等级的弹簧组, 具体可参见“安装建议”第 8 节, 以确保获得满意的功能和活动范围。

2 安全须知



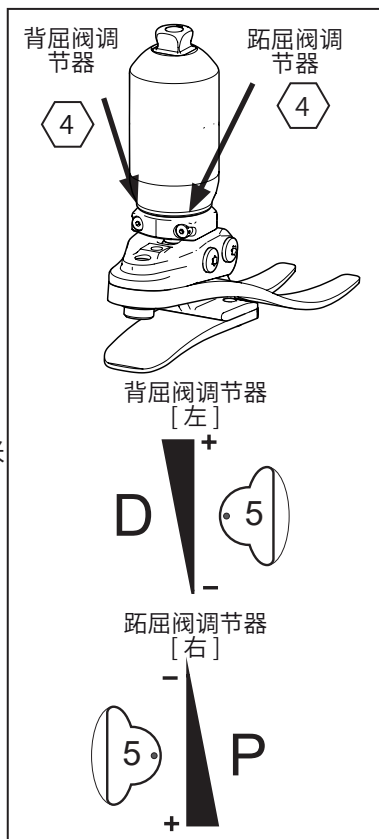
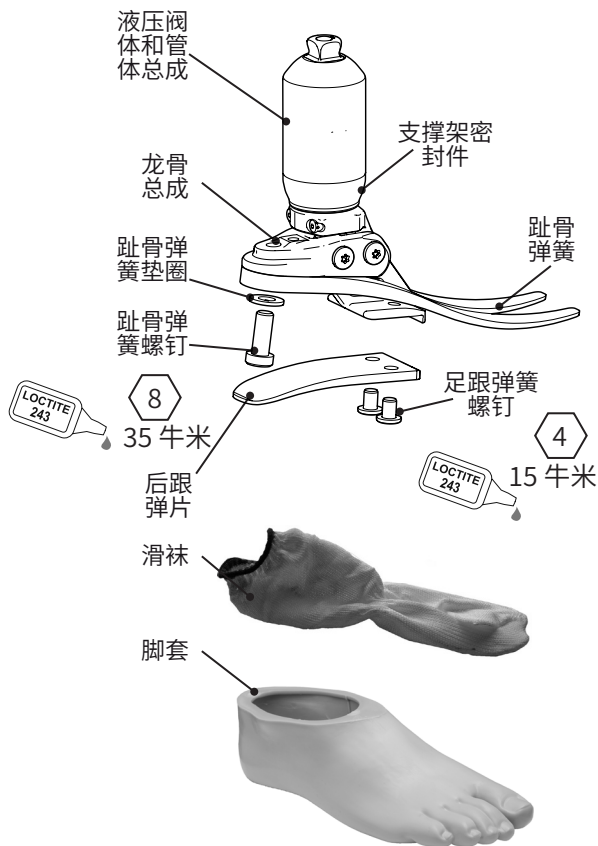
该警告标志用于强调必须认真遵守的重要安全信息。

-  装置的性能或功能若有任何变化，如活动受限、动作不顺畅或出现异响，都应立即报知服务提供商。
-  台阶时以及任何其他时间都应始终握好扶手(若有)。
-  装置不适合极限运动、赛跑、骑行比赛、冰雪运动、极陡坡面和台阶。用户从事任何上述活动都须自行承担一切风险。允许休闲类骑行。
-  装置的组装、维护和修理只能由具备适当资质的假肢技师来进行。
-  用户的身体状况如有变化，应联系其假肢技师。
-  只能驾驶经过适当改装的机动车。操作机动车辆时，所有人员必须遵守各自适用的驾驶法规。
-  将滑倒和绊倒的风险降至最低，必须始终使用与脚套牢固贴合的鞋子。
-  使用后，触摸踝关节时会有发热感。
-  避免暴露于极端高温和/或寒冷环境中。
-  禁止用户自行调节或改动本装置的设置。
-  注意手指安全，防止夹伤。

3 构造

主要部件

- 液压阀体和管体总成(铝/不锈钢/钛)
- 托架总成(铝/不锈钢)
- 后跟和前掌弹片(E碳纤维)
- 弹簧固定螺钉(不锈钢/钛)
- 消音袜(UHM PE)
- 脚套(PU)



4 功能

本装置包含一个液压阀体总成，总成内装有可调式液压阀。液压阀可独立调节，以增加或减少跖屈和背屈的液压阻力。

液压阀体总成的近端部分带有一个弹簧部件，通过该部件，棒头管可以在轴向和/或扭转载荷下进行范围有限的偏转和/或旋转。移除载荷后，弹簧会回到原始位置。这种动作有助于减弱冲击力，否则，冲击力会沿轴向及旋转方向传输到残肢/接受腔界面。

液压踝总成通过两个枢轴销与龙骨总成相连。后跟弹片和前掌弹片通过钛和不锈钢螺丝固定在龙骨上。脚板包裹在一个 UHM PE 消音袜内，并整体包入 PU 脚套。

5 维护

维护操作必须由胜任的人士进行。

建议每年维护一次，具体操作如下：

- 检查是否存在可能影响正常功能的肉眼可见缺陷
- 清洁并重新润滑承重表面。使用 Sapphire Endure (928015) 润滑脂或等效 PTFE 润滑脂 (参见第 9 节 - 维护说明)。
- 拆下脚套和消音袜，检查损坏或磨损情况，必要时进行更换。
- 检查所有螺丝是否紧固，必要时进行清洁和重新组装。
- 目视检查后跟弹片和前掌弹片的分层或磨损情况，必要时进行更换。使用一段时间后可能会出现轻微的表面损伤，这不会影响假脚的功能和强度。

本装置的性能若有任何变化，应立即报知假肢技师。性能变化可能包括：

- 踝关节硬度增加
- 轴向刚度或抗扭刚度变化
- 踝关节支撑度降低 (无阻力自由活动)
- 弹簧软化
- 轴承间隙过大
- 任何异响

建议用户在身体状况出现变化时及时联系执业医师。

体重和/或活动等级发生任何变化时也必须报知假肢技师。

应建议用户定期对假脚进行目视检查，如发现可能影响功能的磨损迹象 (如：由于长时间暴露于紫外线环境而导致的严重磨损或褪色)，应报知服务提供商。

清洁

用湿布与温性肥皂清洁外表面。不得使用腐蚀性清洁剂。

6 使用限制

预期使用寿命

应根据活动和使用情况进行局部风险评估。

负重

用户的体重和活动应遵守所述限制。

用户应根据局部风险评估结果进行负重。

环境

避免将本装置暴露于腐蚀性元素中，如水、酸和其他液体。此外，还应避免磨蚀性环境，例如含砂的环境，否则可能导致过早磨损。

仅限在 -15°C 至 50°C (5°F 至 122°F) 范围内使用。



7 基本对线

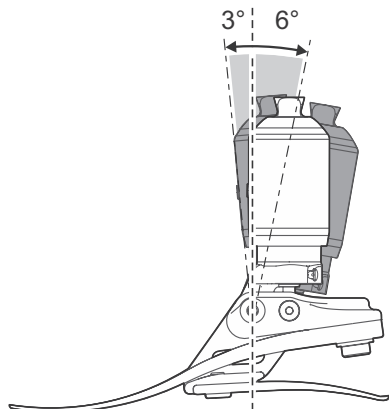
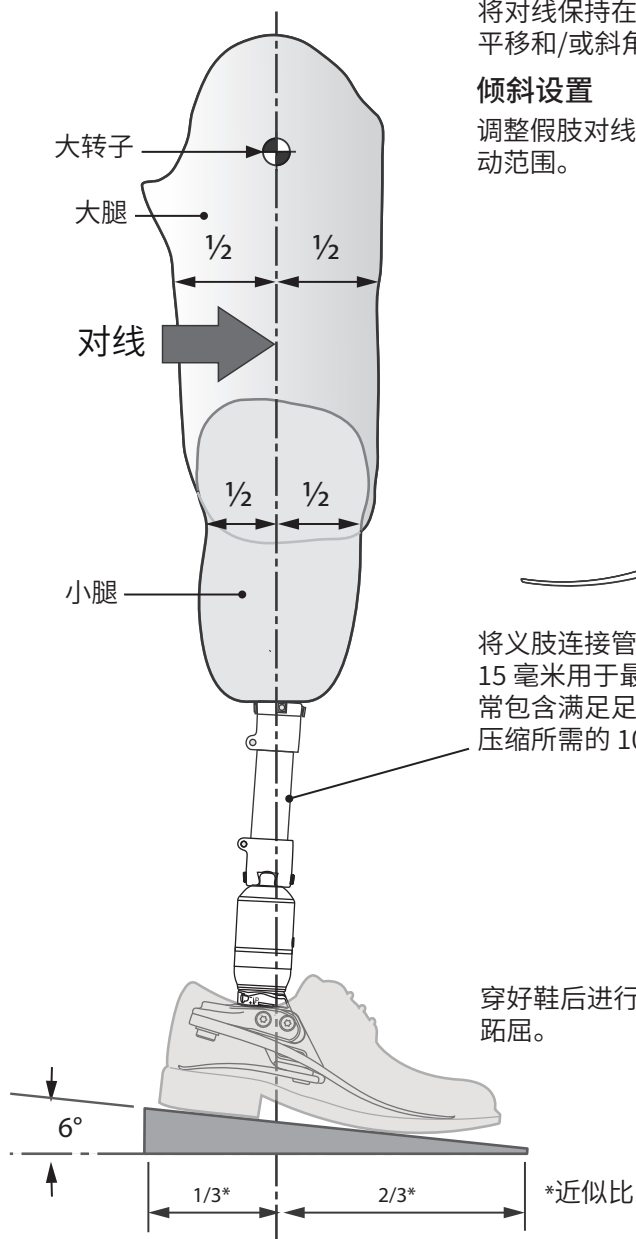
7.1 静态对线

根据膝关节随附的安装说明对大腿装置进行对线。

将对线保持在两个枢轴之间，必要时使用平移和/或斜角接头配件。

倾斜设置

调整假肢对线，使其达到图中所示的活动范围。

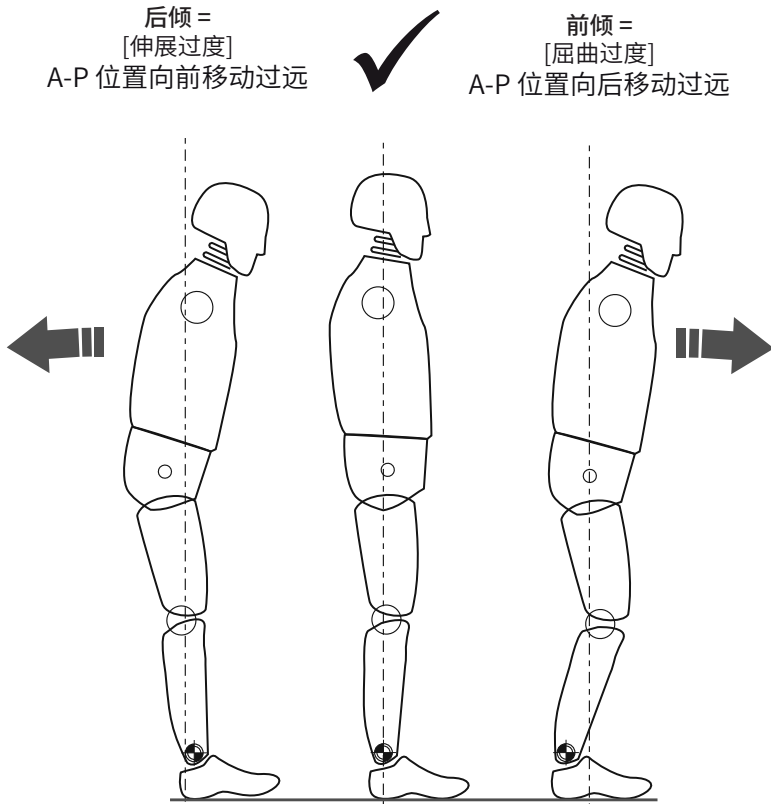


将义肢连接管切割至近似长度，留出 10-15 毫米用于最后裁修。**注意：**试验长度通常包含满足足跟、趾骨和轴向弹簧的轴向压缩所需的 10 毫米长度。

穿好鞋后进行对线，同时保持足部完全跖屈。

7.2 仿生对线

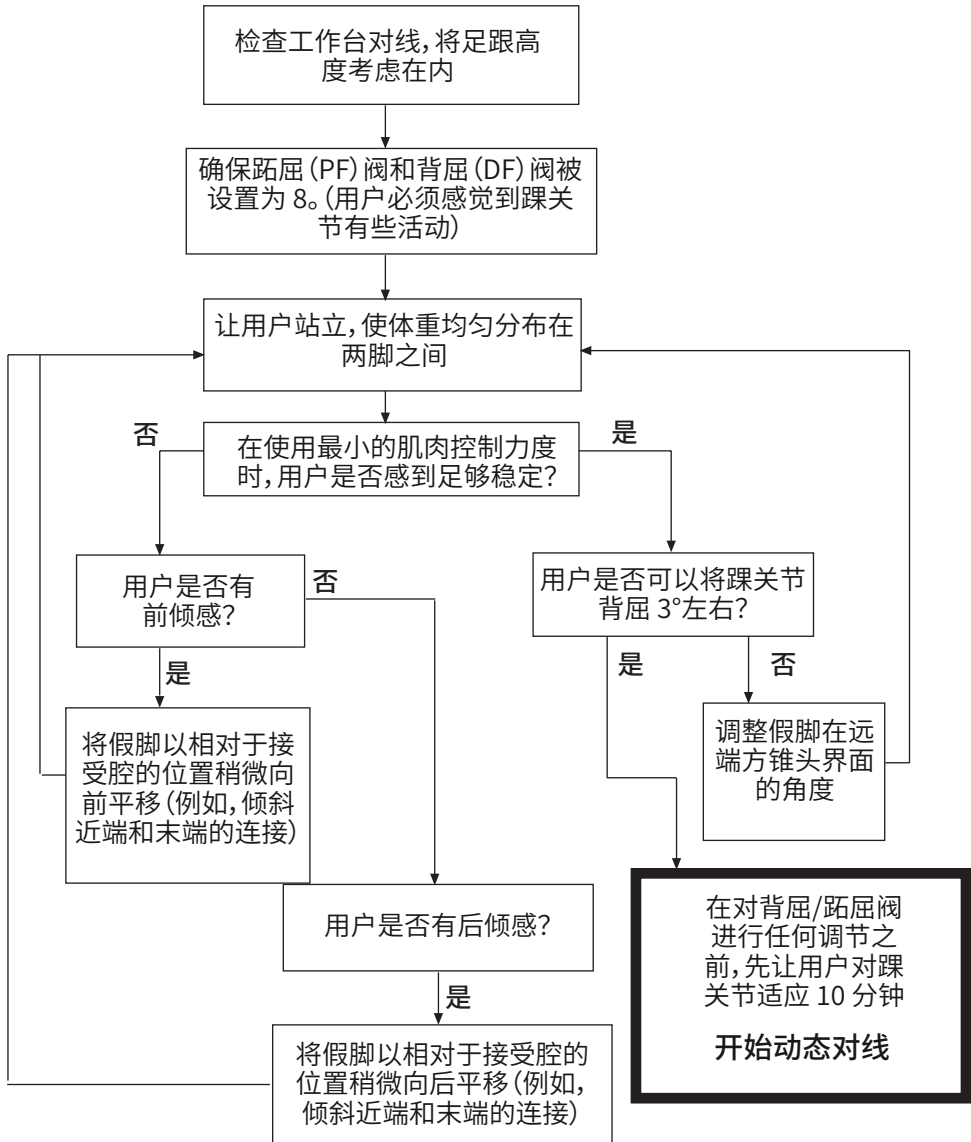
对线的目的是在站立期间取得平衡点,并设置以液压减震的活动范围。调节阻尼是为了微调踝足步态滚动时的硬度特性,直至获得舒适的步态。由于踝关节提供了更大的活动范围,用户可能会有更多的自主控制,并在起初设置踝关节的过程中感到不安。设置满意后,这种感觉应该会很快消失。



确保用户充分放松,不靠背屈 (DF) 限制进行支撑。

7.3 仿生调整

注意...用户必须在有某种支撑手段(如平衡杠)的情况下进行静态对线。这只是站立对线。



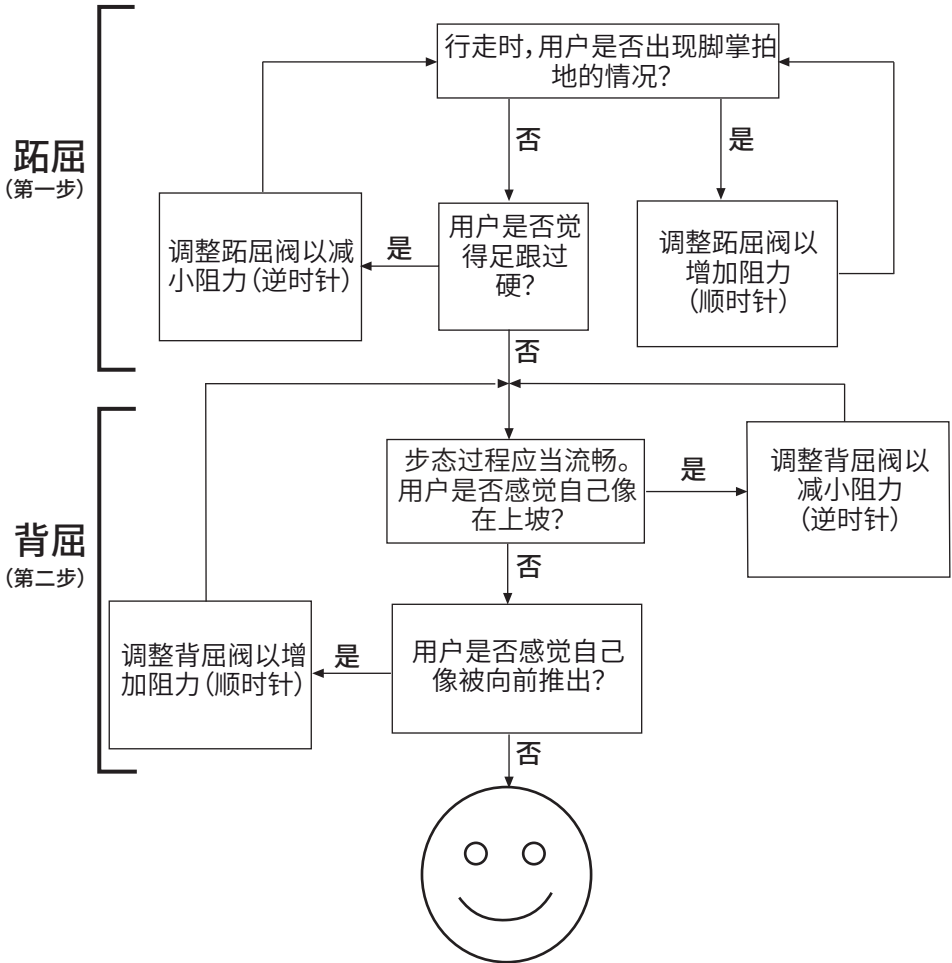
利用平移进行静态对线和站立。

本装置支持一定程度的自适应对线调整, 以便用户在站立时感觉平衡。

7.4 动态调整

液压阀的调节

用户应当在步态周期中体验到踝关节随身体移动的感觉。用户应当无需费力就能克服踝关节的液压阻力。



指引

动态调整完毕后, 在坡道和台阶上试用假脚/踝关节。确保用户能自如应对自己通常可能会遇到的地形。如果用户遇到与踝关节的舒适性、可用性或活动范围有关的任何问题, 请进行相应的调整。

8 安装建议

正确的对线(A-P 位置)、活动范围(从跖屈到背屈的分布范围)以及液压设置的调整对实现平稳翻转和正确的坡度适应至关重要(参见第 7.3 节 - 仿生调整)。

本装置的轴向弹簧须与足跟和趾骨弹簧配合使用,方可为大多数用户提供平顺的行走体验。轴向弹簧控制压缩回弹性和扭转回能,对于正常的行走,典型的轴向移动应在 3-6 毫米之间。

本装置有 4 种轴向弹簧刚度可选(详见第 1 节)。

给用户一些时间熟悉初始设置。

如果在遵循以下说明之后,您在产品功能方面仍有问题,请咨询您所在地区的销售团队。

以下任何一种情况都会对功能和稳定性产生不良影响:

- 弹片选择不正确
- A-P 位移对线不正确
- 跖屈和背屈范围分布不正确

	表现	解决方法
1.	<ul style="list-style-type: none">• 足跟触地时下沉• 难以流畅地进入支撑期中期• 用户感觉自己在上坡或前足过长	<ul style="list-style-type: none">• 增加跖屈阻力• 检查 A-P 位移对线;确保义足位置没有过于靠前• 检查跖屈和背屈活动的分布情况;确保跖屈范围不过度• 检查弹簧等级是否过软,如果是,则安装刚度高一个等级的弹簧
2.	<ul style="list-style-type: none">• 从足跟触地到支撑期中期的过程过快• 足跟触地时难以控制脚板回弹力(膝关节稳定性有所降低)• 用户感觉足跟过硬,前掌过短	<ul style="list-style-type: none">• 减少跖屈阻力• 检查 A-P 位移对线;确保义足位置没有过于靠后• 检查跖屈和背屈活动的分布情况;确保充分的跖屈范围• 检查弹簧等级,如果其刚度相对于用户的体重和活动水平而言过高,则安装刚度低一个等级的弹簧

	表现	解决方法
3.	足跟着地和行进感觉良好,但: <ul style="list-style-type: none"> • 前掌感觉过软 • 前掌感觉过短 • 用户感觉自己像在下坡,可能膝关节稳定性亦有所降低 • 缺乏储能回弹性 	<ul style="list-style-type: none"> • 增加背屈阻力 • 检查 A-P 位移对线;确保义足位置没有过于靠后 • 检查跖屈和背屈活动的分布情况;确保背屈范围没有过度 • 检查弹簧的刚度等级,如果刚度等级相对于用户的体重和活动水平而言过软,则安装刚度高一个等级的弹簧
4.	足跟着地和行进感觉良好,但: <ul style="list-style-type: none"> • 前掌感觉过硬 • 前掌感觉过长 • 感觉像在上坡 	<ul style="list-style-type: none"> • 减少背屈阻力 • 检查 A-P 位移对线;确保义足位置没有过于靠前 • 检查跖屈和背屈活动的分布情况;确保充分的背屈范围 • 检查弹簧的刚度等级,如果刚度等级相对于用户的体重和活动水平而言过硬,则安装刚度低一个等级的弹簧

9 维护说明

⚠ 始终注意手指安全,防止夹伤。

⚠ 应始终使用适当的健康与安全设备,包括拆取设施。

9.1 拆除脚壳

1 将鞋拔插入后跟弹片后侧。

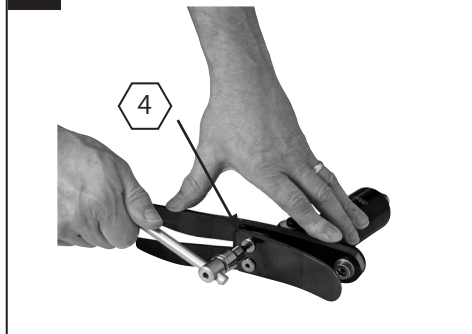


2 如图所示,转动鞋拔以拆下脚套。

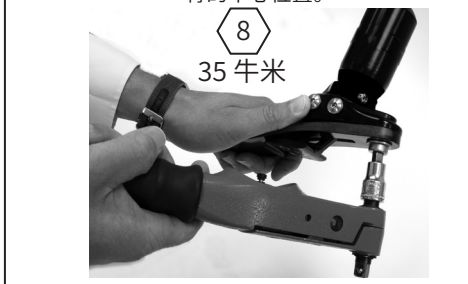


9.2 更换足跟及趾骨弹簧

3 拆下后跟弹片和螺丝。



4 卸下前掌弹片螺丝,更换前掌弹片。重新装配好后,涂抹乐泰 243 (926012) 防松胶并拧紧至 35 牛米。确保前掌弹片位于龙骨的中心位置。



5 用后跟弹片替换件重新装配。涂抹 Loctite 243 (926012) 防松胶并拧紧至 15 牛米。



6 用黑色永久性记号笔涂抹托架上相应的线条,显现出弹簧组编号。



7 如需安装装饰泡沫, 请将脚套顶面打磨粗糙, 以获得理想的粘合面。



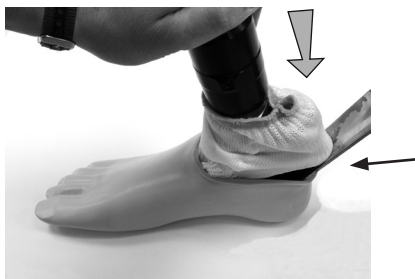
8 必要时润滑前掌和足跟。
(脚套出厂时已经过润滑)。



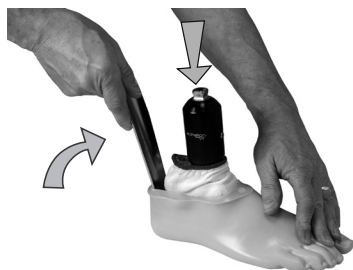
9 前掌弹片在脚套中的位置。

前掌弹片在脚套中的位置。

10 用合适的鞋拔, 将后跟弹片抵入脚套中的定位槽内。

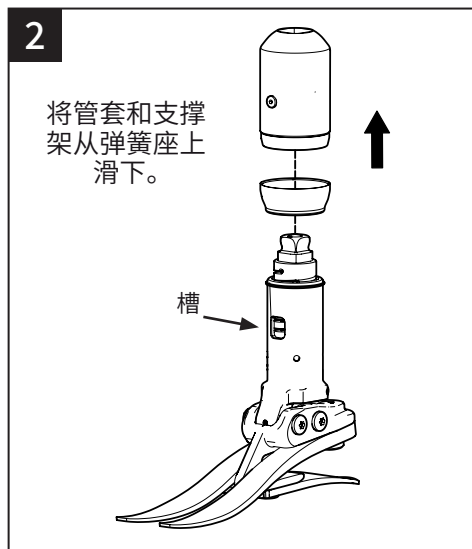


11 确保后跟弹片卡入槽中。



如果需要美容外包装, 请联系 Blatchford 销售团队人员。

9.3 管套



清洁并重新润滑承重表面。

使用 Sapphire Endure (928015) 润滑脂或等效 PTFE 润滑脂。

9.3.1 重新

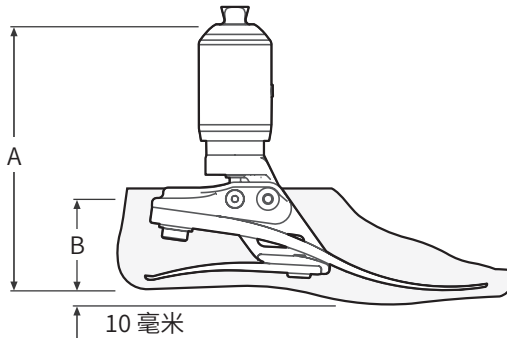
确保旋转止动螺钉与义肢连接管上的槽对齐, 涂抹乐泰 243 螺纹锁固剂并拧紧。

支撑架替换件 部件号 534003

10 技术数据

使用和存放温度范围:	-15°C 至 50°C (5°F 至 122°F)
部件重量 (26N 码):	1.05 千克 (2 磅 3 盎司)
推荐的活动水平:	3
用户体重上限:	125 千克 (275 磅)
尺码:	22 至 30 公分
近端对线附件:	方锥头 (Blatchford) +/- 7°
踝关节活动范围:	6° 跖屈到 3° 背屈
最大旋转角度:	+/- 15°
典型轴向移动:	3 - 6 毫米 [最大 10 毫米]
构造高度:*	22 公分 - 24 公分 168 毫米 25 公分 - 26 公分 173 毫米 27 公分 - 30 公分 178 毫米
后跟高度:	10 毫米

安装高度



尺码	A
22-24	168 毫米
25-26	173 毫米
27-30	178 毫米

尺码	B
22-26	65 毫米
27-28	70 毫米
29-30	75 毫米

11 订购须知

订单示例

ECVT	25	L	N	3	2	S
------	----	---	---	---	---	---

尺码 侧 宽度* 弹片组 轴向弹 分趾
(左/右) (窄/宽) 等级 簧

有 22 码至 30 码可选：
ECVT22L11S 至 ECVT30R84S
ECVT22L11SD 至 ECVT30R84SD

* 仅 25-28 码。所有其他尺码请忽略“宽度”一栏。

(如需深色脚套请加注字母“D”)

如: ECVT25LN12S、ECVT22R34S、ECVT27RW33SD

弹片套件

等级	义足尺码			
	小码 (S)	中码 (M)	大码 (L)	加大码 (XL)
	22-24	25-26	27-28	29-30
等级 1	539801S	539810S	539819S	539828S
等级 2	539802S	539811S	539820S	539829S
等级 3	539803S	539812S	539821S	539830S
等级 4	539804S	539813S	539822S	539831S
等级 5	539805S	539814S	539823S	539832S
等级 6	539806S	539815S	539824S	539833S
等级 7	539807S	539816S	539825S	539834S
等级 8	539808S	539817S	539826S	539835S

脚壳 (如需深色请加注字母“D”)

尺码/侧	窄	宽
22L	539038S	-
22R	539039S	-
23L	539040S	-
23R	539041S	-
24L	539042S	-
24R	539043S	-
25L	539044SN	539044SW
25R	539045SN	539045SW
26L	539046SN	539046SW
26R	539047SN	539047SW
27L	539048SN	539048SW
27R	539049SN	539049SW
28L	539050SN	539050SW
28R	539051SN	539051SW
29L	-	539052S
29R	-	539053S
30L	-	539054S
30R	-	539055S

商品	部件号
滑袜 (22-26 码)	531011
滑袜 (27-30 码)	532811
背屈/跖屈调节器, 4 毫米 A/F 六角扳手	940236
支撑架	534003
旋转止动螺钉	534005

免责声明

制造商建议只在指定条件下和设计用途范围内使用本装置。本装置必须按照随附的使用说明进行维护。对于因使用未经制造商授权的任何部件组合而造成的任何不良后果，制造商概不负责。

欧盟合规认证

本产品符合欧盟第“2017/745”号医疗器械法规的要求。根据该法规“附录 8”所列分类规则，本产品被归为 I 类医疗器械。查看欧盟《符合性声明》证书请访问下方网址：
www.blatchford.co.uk



医疗器械



单人 - 多次使用

兼容性

如需将其他产品与 Blatchford 品牌的产品组合使用，须根据相关标准和医疗器械法规进行测试（包括结构测试、尺寸兼容性测试和现场性能监测），测试通过后方可获准。

与其他具有 CE 认证标识的产品组合使用时，必须遵循假肢技师出具的局部风险评估意见。

保修

本装置的保修期为 36 个月：脚套 12 个月，消音袜 3 个月。用户应注意，在未经明确许可的情况下对装置进行改动或改装，可能会造成保修、使用牌照和免责条款失效。最新完整保修声明见 Blatchford 网站。

严重事故报告

使用本装置不大可能发生严重事故，如若发生，应报知制造商以及您所在国家的主管部门。

环保事项

应尽可能根据当地的废物处理法规对部件进行回收处理。

保留包装标签

建议您保留包装标签，作为所购装置的一份记录。

商标确认

Echelon 和 Blatchford 是 Blatchford Products Limited 的注册商标。

制造商注册地址

 地址：Blatchford Products Limited, Lister Road, Basingstoke RG22 4AH, UK. (英国)

blatchford.co.uk/distributors

Blatchford Products Ltd.

Unit D Antura
Kingsland Business Park
Basingstoke
RG24 8PZ
UNITED KINGDOM
Tel: +44 (0) 1256 316600
Fax: +44 (0) 1256 316710
Email: customer.service@blatchford.co.uk
www.blatchford.co.uk

Blatchford Inc.

1031 Byers Road
Miamisburg
Ohio 45342
USA
Tel: +1 (0) 800 548 3534
Fax: +1 (0) 800 929 3636
Email: info@blatchfordus.com
www.blatchfordus.com

Blatchford Europe GmbH

Am Prime-Parc 4
65479 Raunheim
GERMANY
Tel: +49 (0) 9221/87808-0
Fax: +49 (0) 9221/87808-60
Email: info@blatchford.de
www.blatchford.de

Email: contact@blatchford.fr
www.blatchford.fr

Endolite India Ltd.

A4 Naraina Industrial Area
Phase - 1
New Delhi
INDIA – 110028
Tel: +91 (011) 45689955
Fax: +91 (011) 25891543
Email: endolite@vsnl.com
www.endoliteindia.com

Ortopro AS

Hardangervegen 72
Seksjon 17
5224 Nesttun
NORWAY
Tel: +47 (0) 55 91 88 60
Email: post@ortopro.no
www.ortopro.no



Blatchford Europe GmbH
Am Prime-Parc 4
65479 Raunheim Germany

