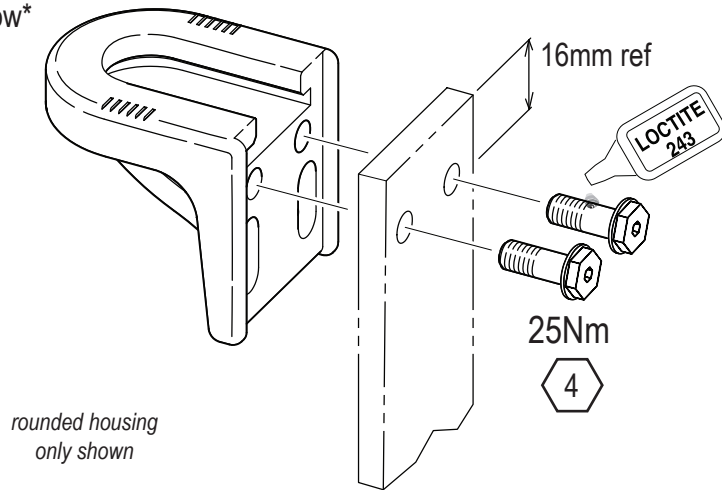


Blatchford:

Dynamic Pylon Top Housing
4 Bolt 539501

Round profile 539601/539602



Refer to appropriate Dynamic Pylon fitting instructions for cutting/drilling information and weight/activity limitations*. Insert shift adaptor into 'T' slot, if required. Attach housing ensuring pylon does not protrude above the top surface of the adaptor.

Blatchford Products Limited
Unit D Antura, Kingsland Business Park
Basingstoke, RG24 8PZ, UNITED KINGDOM
Tel: +44 (0) 1256 316600, Fax: +44 (0) 1256 316710
Email: sales@blatchford.co.uk, Web: www.blatchford.co.uk

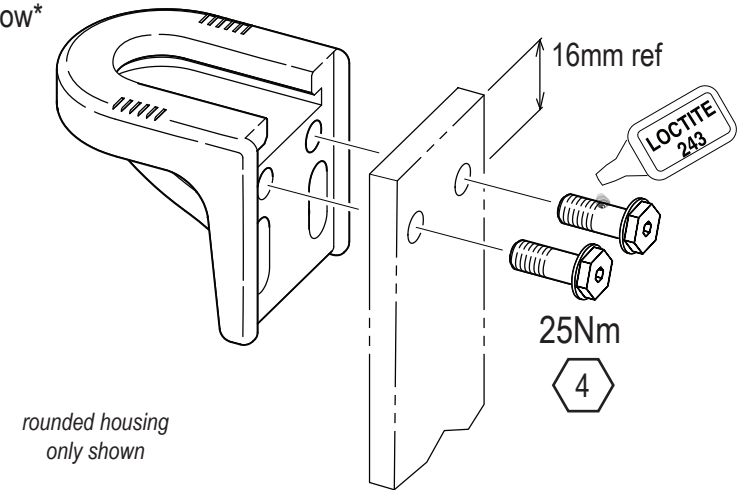
Blatchford is a registered trademark of Blatchford Products Limited.
Blatchford est une marque déposée de Blatchford Products Limited.
Blatchford ist eine eingetragene Marke von Blatchford Products Limited.
Blatchford è un marchio registrato di Blatchford Products Limited.
Blatchford es una marca registrada de Blatchford Products Limited.

938307/3-0819

Blatchford:

Dynamic Pylon Top Housing
4 Bolt 539501

Round profile 539601/539602



Refer to appropriate Dynamic Pylon fitting instructions for cutting/drilling information and weight/activity limitations*. Insert shift adaptor into 'T' slot, if required. Attach housing ensuring pylon does not protrude above the top surface of the adaptor.

Blatchford Products Limited
Unit D Antura, Kingsland Business Park
Basingstoke, RG24 8PZ, UNITED KINGDOM
Tel: +44 (0) 1256 316600, Fax: +44 (0) 1256 316710
Email: sales@blatchford.co.uk, Web: www.blatchford.co.uk

Blatchford is a registered trademark of Blatchford Products Limited.
Blatchford est une marque déposée de Blatchford Products Limited.
Blatchford ist eine eingetragene Marke von Blatchford Products Limited.
Blatchford è un marchio registrato di Blatchford Products Limited.
Blatchford es una marca registrada de Blatchford Products Limited.

938307/3-0819