

K  
X  
06



The KX06 is a unique polycentric knee with hydraulic swing and stance control for the most demanding physical activity



endolite

# KX06



Motocross rider, Tim Burrows, is no stranger to harsh environments. The rugged KX06 knee is the first knee he's had which is able to withstand his passion for Motocross competitions on some of the UK's toughest dirt tracks. The combination of stainless steel bearings and integrated hydraulic construction mean that a quick rinse clears any sand and mud from the controls and pivots. The endurance Tim needs involves regular gym sessions to keep his fitness at an optimum level. The extended range of hydraulic resistance of the KX06 ensures fluid motion and symmetry that perfectly matches Tim's left leg.

The KX06 is seriously tough and has been tested in all kinds of rough environments. The pivots and bearings, which have been heavily tested by athletes, sports aficionados and military personnel, are now extra strong and water resistant.

It boasts hydraulic control with greater durability and an enhanced resistance range. It's easy to fine tune, with a graduated flexion and extension dial, and the settings offer smooth transition through the stages of the gait cycle.

The KX06 has proven to be the knee of choice for off-road use.



**Walking better**  
Geometric stability and hydraulic control for smoother action on all terrain.



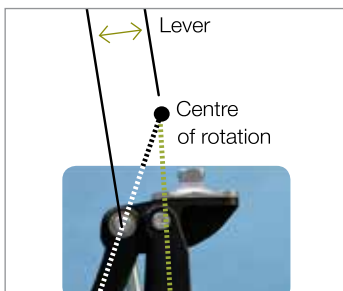
**Simplified assembly**  
Distal pyramid and range of proximal adapters for easy of socket attachment.



**Robust style**  
The polycentric design allows better sitting cosmesis for disarticulation sockets.



**Corrosion resistant**  
Integrated hydraulic construction ensures it's tough enough for harsh environments\*.



**Forward thinking**  
Enhanced lever arm for initiation of flexion which improves the hydraulic control.



**Perfect set up**  
Increased range of stance yield with graduated markings for ease of fine tuning.



To maintain the KX06 in top condition after muddy, wet or dusty activities, simply rinse and dry.

\*The product has been tested to ASTM B117-07a Neutral Salt Spray Test

# KX06



## SPECIFICATIONS

Max. user weight/activity level:	150kg/3 145kg/4
Component weight:	1.23kg
Build height:	see diagram
Control unit:	endolite hydraulic

## PART NUMBERS

KX06  
KX06 - SWING

## ACCESSORIES

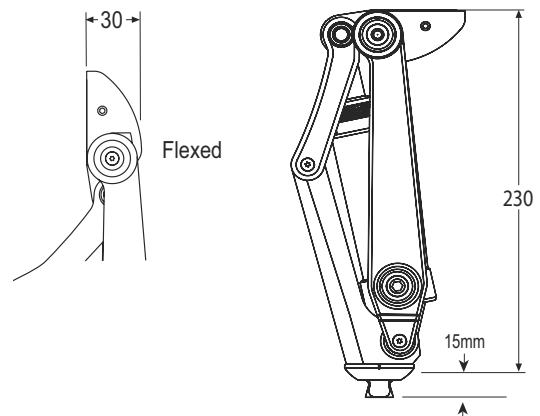


Cylinder adjuster tool 940091

## SOCKET ADAPTERS



## BUILD HEIGHT



endolite.co.uk



Endolite is part of the Blatchford Group. Chas A Blatchford & Sons Ltd, Unit D, Antura, Kingsland Business Park, Basingstoke, RG24 8PZ, UK  
Tel: +44 (0) 1256 316600, Fax: +44 (0) 1256 316710, Email: sales@blatchford.co.uk



An annual visual inspection is recommended. Check for visual defects that may affect proper function. Maintenance must be carried out by competent personnel.