

Multiflex Standard

519119-519136

Multiflex Slim

519141-519148

Instructions for Use

EN	Instructions for Use	2
SL	Navodila za uporabo	12
BG	Инструкции за употреба	22
HR	Upute za uporabu	32
SK	Návod na použitie	42
HU	Használati útmutató	52
EL	Οδηγίες χρήσης	62
LV	Lietošanas pamācība	72
LT	Naudojimo instrukcija	82
ET	Kasutusjuhend	92

Contents



Contents	2
1 Description and Intended Purpose	3
2 Safety Information	4
3 Construction	5
4 Function.....	6
5 Maintenance	6
6 Limitations on Use	7
7 Bench Alignment.....	8
7.1 Static Alignment.....	8
7.2 Dynamic Alignment	8
8 Technical Data	9
9 Ordering Information	10

1 Description and Intended Purpose

These Instructions for Use are intended for use by the practitioner and user unless otherwise stated.

The term *device* is used throughout these instructions for use to refer to Multiflex feet.

Please read and ensure you understand all instructions for use, in particular all safety information and maintenance instructions.

Application

This device is to be used exclusively as part of a lower limb prosthesis.

Intended for a single user.

This combination provides the user with multi-axial motion when used in conjunction with a multiflex ankle, which enhances stability. The low profile design with sandal toe gives the foot a more natural appearance.

Activity Level

This device is recommended for Activity Level 1–2 users.

There are exceptions to our recommendations and we want to allow for individual circumstances. There may be Activity Level 3–4* users who may benefit from this product, but this decision should be made with sound and thorough justification.

*Maximum user weight: 100 kg (220 lb).

Activity Level 1

Has the ability or potential to use a prosthesis for transfers or ambulation on level surfaces at fixed cadence. Typical of the limited and unlimited household ambulator.

Activity Level 2

Has the ability or potential for ambulation with the ability to traverse low level environmental barriers such as, curbs, stairs or uneven surfaces. Typical of the limited community ambulator.

Activity Level 3

Has the ability or potential for ambulation with variable cadence.

Typical of the community ambulator who has the ability to traverse most environmental barriers and may have vocational, therapeutic, or exercise activity that demands prosthetic utilization beyond simple locomotion.

Activity Level 4

Has the ability or potential for prosthetic ambulation that exceeds basic ambulation skills, exhibiting high impact, stress, or energy levels. Typical of the prosthetic demands of the child, active adult, or athlete.

Contraindications

This device may not be suitable for use in competitive sports events. This type of user may be better served by a specially designed prosthesis optimized for their needs.

Clinical Benefits

- Low stiffness at weight acceptance leads to early foot-flat and greater stability for lower mobility users, compared to single axis feet and Solid-Ankle-Cushioned-Heel feet
- No loss of stability for bilateral users, compared to rigid ankles
- Easier to walk on uneven ground for bilateral users, compared to rigid ankles
- Easier to walk on slopes for bilateral users, compared to rigid ankles
- Easier to walk longer distances for bilateral users, compared to rigid ankles
- Improved stance phase timing symmetry, compared to rigid ankles
- Reduced sound limb loading, compared to rigid ankles

2 Safety Information



This warning symbol highlights important safety information which must be followed carefully.



Any changes in the performance or function of the limb e.g. restricted movement, excessive movement, non-smooth motion or unusual noises should be immediately reported to your service provider.



Always use a hand rail when descending stairs and at any other time if available.



The device is not suitable for extreme sports, running or cycle racing, ice and snow sports, extreme slopes and steps. Any such activities undertaken are done so completely at the users' own risk. Recreational cycling is acceptable.



Assembly, maintenance and repair of the device must only be carried out by a practitioner or suitably trained technician.



The user should contact their practitioner if their condition changes.



Ensure only suitably retrofitted vehicles are used when driving. All persons are required to observe their respective driving laws when operating motor vehicles.



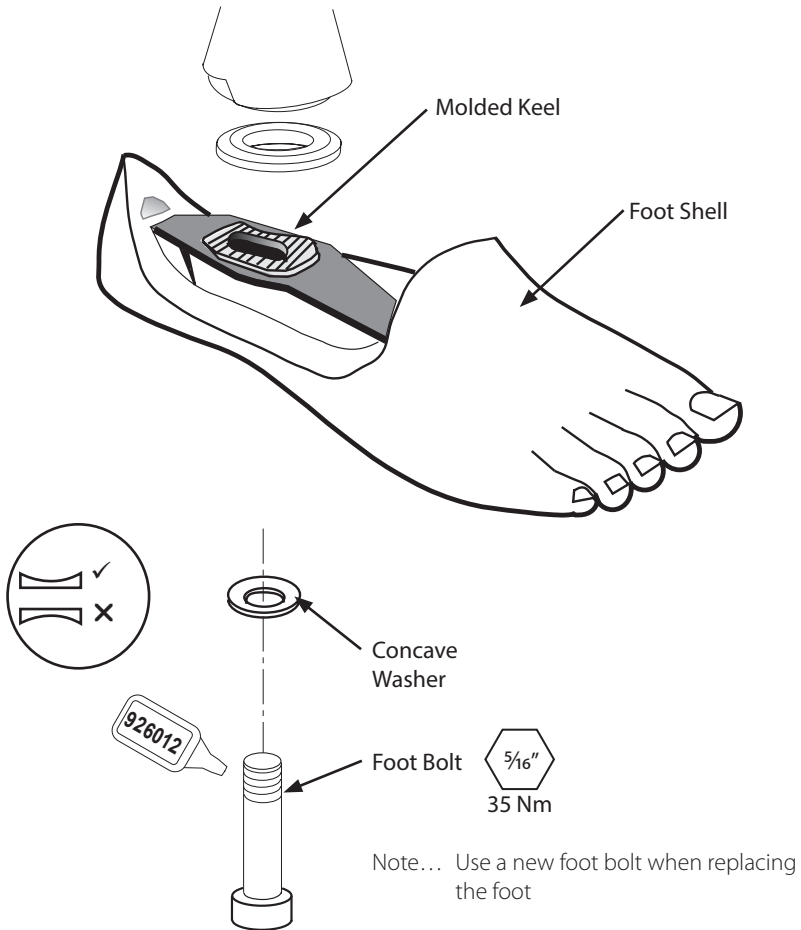
To minimise the risk of slipping and tripping, appropriate footwear that fits securely onto the footshell must be used at all times.

3 Construction

Principal Parts

- Foot Shell - Polyurethane
- Molded Keel - Fiber reinforced thermoplastic/aluminium alloy
- Foot Bolt - Stainless steel
- Concave Washer - Stainless steel

Component Identification



4 Function

The device combines with a resilient multi-axial Multiflex ankle to give a smooth, stable walking action and allow some compliance to uneven surfaces. The device comprises a lightweight, fiber reinforced thermoplastic keel which gives a gentle rolling action through stance and features a sandal toe for a more natural appearance—ideal for lower level activity users.

A range of heel heights can be accommodated via the serrated ankle interface. Multiflex Slim features additional heel height capacity for a higher heel.

5 Maintenance

Visually check the device regularly.

Report any changes in performance of this device to the practitioner/service provider e.g. unusual noises, increased stiffness or restricted/excessive movement, significant wear or excessive discoloration from long term exposure to UV.

Inform the practitioner/service provider of any changes in body weight and/or activity level.

Cleaning

Use a damp cloth and mild soap to clean outside surfaces, do not use aggressive cleansers.

The remaining instructions in this section are for practitioner use only.

This maintenance must be carried out only by competent personnel (practitioner or suitable trained technician).

It is recommended that the following maintenance is carried out annually:

- Check the foot bolt for tightness

Advise users to report the following to their medical practitioner:

- Changes in body weight or activity level
- Changes in the performance of this device, for example unusual noises or play

Make sure the user has understood all instructions for use, drawing particular attention to the Maintenance section.

6 Limitations on Use

Intended Life

A local risk assessment should be carried out based upon activity and usage.

Lifting Loads

User weight and activity is governed by the stated limits. Load carrying by the user should be based on a local risk assessment.

Environment

Avoid exposing the Multiflex foot to corrosive elements such as water, acids and other liquids. Avoid abrasive environments such as those containing sand, as these may promote premature wear.

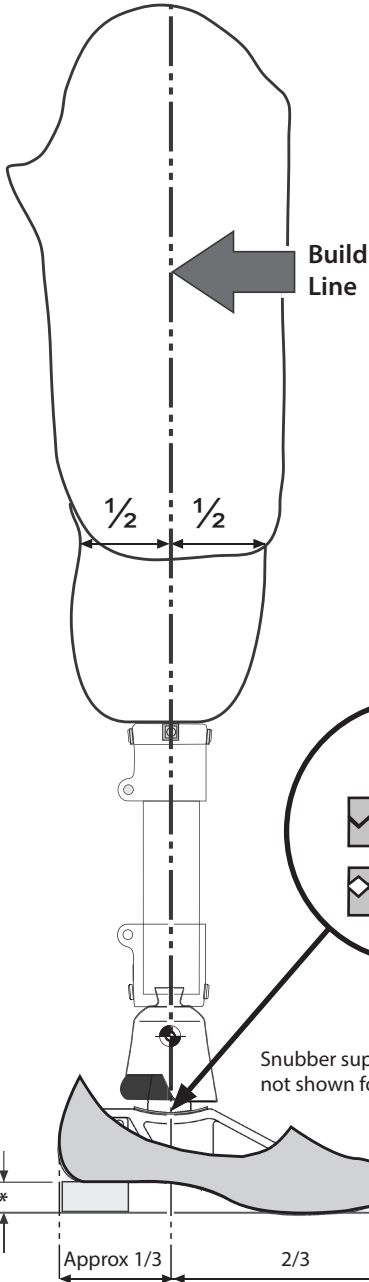
Exclusively for use between -10 °C and 50 °C
(14 °F to 122 °F).



Suitable for outdoor use

7 Bench Alignment

The instructions in this section are for practitioner use only.



Align trans-femoral devices according to fitting instructions supplied with the knee, keeping the build line relative to the Multiflex ankle, as shown.

7.1 Static Alignment

With the flexion accommodated the build line should pass through the center of the socket in the sagittal (A-P) plane and through the Multiflex foot, as shown. Heel height of the shoe should be accommodated.

7.2 Dynamic Alignment

Coronal Plane

Make sure that M-L thrust is minimal by adjusting relative positions of socket and foot.

Sagittal Plane

Check for smooth transition from heel strike to toe-off. Also, make sure that when standing, the heel and toe are evenly loaded and that both are touching the floor.

Check that the serrations are engaged before tightening the foot bolt.

Incorrectly engaged serrations can lead to noise and result in sudden loosening of the foot. Confirm correct engagement of serrations by slackening foot bolt 1/8 turn. Foot should be loose but not rotate. then torque to correct torque.

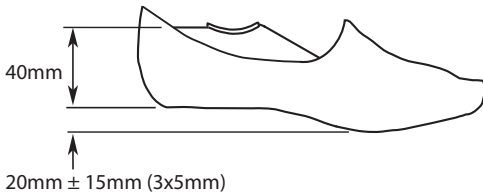
* Allow for the user's own footwear

8 Technical Data

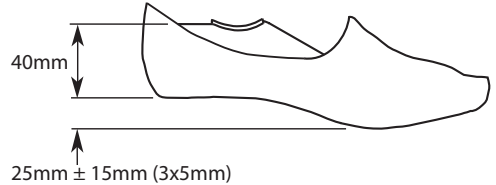
Operating and Storage Temperature Range:	-15 °C to 50 °C (5 °F to 122 °F)
Component Weight (size 26):	375 g (13.2 oz)
Activity Level:	1–2
Maximum User Weight:	
Activity Level 1-2	125 kg (275 lb)
Activity Level 3-4	100 kg (220 lb)
Build Height:	40 mm
Nominal/Mid-range Heel Height:	Multiflex Slim — 25 mm Multiflex Standard — 20 mm
Range of Heel Height Adjustment:	± 15 mm (3x5 mm increments)

Fitting Length

Multiflex Standard



Multiflex Slim



9 Ordering Information

Multiflex Standard

Size (cm)	Part Number — Left	Part Number — Right
22	519119	519120
23	519121	519122
24	519123	519124
25	519125	519126
26	519127	519128
27	519129	519130
28	519131	519132
29	519133	519134
30	519135	519136

Multiflex Slim

Size (cm)	Part Number — Left	Part Number — Right
22	519141	519142
23	519143	519144
24	519145	519146
25	519147	519148

Part	Part Number
Foot Bolt	400022
Concave Washer	500021

Liability

The manufacturer recommends using the device only under the specified conditions and for the intended purposes. The device must be maintained according to the instructions for use supplied with the device. The manufacturer is not liable for any adverse outcome caused by any component combinations that were not authorized by them.

CE Conformity

This product meets the requirements of the European Regulation EU 2017/745 for medical devices. This product has been classified as a class I device according to the classification rules outlined in Annex VIII of the regulation. The EU declaration of conformity certificate is available at the following internet address: www.blatchford.co.uk



Medical Device



Single Patient – multiple use

Compatibility

Combination with Blatchford branded products is approved based on testing in accordance with relevant standards and the MDR including structural test, dimensional compatibility and monitored field performance.

Combination with alternative CE marked products must be carried out in view of a documented local risk assessment carried out by a Practitioner.

Warranty

This device is warranted for 24 months.

The user should be aware that changes or modifications not expressly approved could void the warranty, operating licenses and exemptions.

The above may vary by market; consult your local representative for details.

See the Blatchford website for the current full warranty statement.

Reporting of Serious Incidents

In the unlikely event of a serious incident occurring in relation to this device it should be reported to the manufacturer and your national competent authority.

Environmental Aspects

To help prevent potential harm to the environment or to human health from uncontrolled waste disposal, Blatchford offers a take-back service. Please contact Customer Services for details.

Retaining the Packaging Label

The practitioner is advised to keep the packaging label as a record of the device supplied.

Trademark Acknowledgements

Multiflex and Blatchford are registered trademarks of Blatchford Products Limited.

Manufacturer's Registered Address

Blatchford Products Limited, Lister Road, Basingstoke RG22 4AH, UK.

Vsebina.....	12
1 Opis in namen uporabe	13
2 Varnostne informacije	14
3 Konstrukcija.....	15
4 Delovanje	16
5 Vzdrževanje.....	16
6 Omejitve uporabe.....	17
7 Poravnava sestava.....	18
7.1 Statična poravnava.....	18
7.2 Dinamična prilagoditev	18
8 Tehnični podatki.....	19
9 Podatki za naročanje.....	20

1 Opis in namen uporabe

Ta navodila za uporabo so predvidena za zdravnika in uporabnika, razen če je navedeno drugače.

Izraz *pripomoček* se v teh navodilih za uporabo uporablja za stopala Multiflex

Preberite in poskrbite, da boste razumeli vsa navodila za uporabo, predvsem vse varnostne informacije in navodila za vzdrževanje.

Uporaba

Pripomoček je predviden izključno kot del proteze za spodnje okončine.

Predviden je za enega uporabnika.

Ta kombinacija uporabniku omogoča večosno gibanje pri uporabi skupaj z Multiflex gležnjem, kar izboljša stabilnost. Oblika z nizkim profilom in ločenim palcem stopalu daje bolj naraven videz.

Stopnja aktivnosti

Ta pripomoček je priporočen za uporabnike s stopnjo aktivnosti 1–2.

Obstajajo izjeme in pri svojih priporočilih želimo upoštevati edinstvene okoliščine vsakega posameznika. Izdelek lahko koristi tudi nekaterim uporabnikom s stopnjo aktivnosti 3–4*, vendar pa mora biti ta odločitev ustrezno utemeljena.

* Največja teža uporabnika: 100 kg.

Stopnja aktivnosti 1

Ima sposobnost ali potencial uporabljati protezo za transferje oz. premikanje po ravnih površinah z enakomernim korakom. Običajno omejeno in neomejeno pokretna oseba v gospodinjstvu in domačem okolju.

Stopnja aktivnosti 2

Ima sposobnost ali potencial za premikanje s sposobnostjo premagovanja nizkih ovir, kot so robniki, stopnice ali neravne površine. Običajno je to omejeno pokretna oseba v javnosti.

Stopnja aktivnosti 3

Ima sposobnost ali potencial za premikanje s spremenljivim korakom.

Običajno pokretna oseba, ki lahko premaga večino okoljskih ovir in morda opravlja poklicno, terapevtsko ali fizično aktivnost, ki zahteva uporabo proteze, ki presega zgolj preprosto gibanje.

Stopnja aktivnosti 4

Ima sposobnost ali potencial za hojo s protezo, ki presega osnovne sposobnosti hoje, in je izpostavljena močnim udarcem, visokim obremenitvam ali visokim ravnem energije. Običajno za zahteve za protezo otroka, aktivne odrasle osebe ali športnika.

Kontraindikacije

Ta pripomoček morda ni primeren za uporabo na tekmovalnih športnih prireditvah.

Za te uporabnike so primernejše posebej izdelane proteze, prilagojene njihovim potrebam.

Klinične prednosti

- Nizka togost ob sprejemu teže omogoča predčasno sploščitev stopala in večjo stabilnost za uporabnike s slabšo mobilnostjo v primerjavi z enoosnim stopalom ter stopalom s trdim gležnjem in oblazinjeno peto
- Brez izgube stabilnosti pri obojestranskih uporabnikih v primerjavi s togimi gležnji
- Lažja hoja po neravnih tleh za obojestranske uporabnike v primerjavi s togimi gležnji
- Lažja hoja po klancih pri obojestranskih uporabnikih v primerjavi s togimi gležnji
- Lažja hoja na daljše razdalje pri obojestranskih uporabnikih v primerjavi s togimi gležnji
- Izboljšana simetrija časovne uskladitve v fazi stanja v primerjavi s togimi gležnji
- Manjša obremenitev okončine v primerjavi s togimi gležnji

2 Varnostne informacije



Ta opozorilni simbol poudarja pomembne varnostne informacije, ki jih je treba natančno upoštevati.



Morebitne spremembe v delovanju okončine, kot so npr. omejeno ali prekomerno gibanje, zatikajoče gibanje ali neobičajni zvoki, je treba nemudoma javiti ponudniku storitve.



Pri hoji po stopnicah navzdol in vedno, ko je sicer mogoče, je treba uporabljati držala.



Pripomoček ni primeren za ekstremne športe, tekaške ali kolesarske dirke, športe na ledu in snegu ter za hojo po strminah in strmih stopnicah. Tovrstne aktivnosti uporabnik izvaja na lastno odgovornost. Rekreativno kolesarjenje je sprejemljivo.



Pripomoček lahko sestavi, vzdržuje in popravlja samo ustrezno usposobljen zdravnik ali zdravstveni tehnik.



Uporabnik naj se obrne na svojega zdravnika, če se njegovo stanje spremeni.



Poskrbeti je treba, da se za vožnjo uporabljajo samo ustrezno predelana vozila. Vse osebe morajo pri upravljanju motornih vozil upoštevati veljavne cestno-prometne predpise v svoji državi.



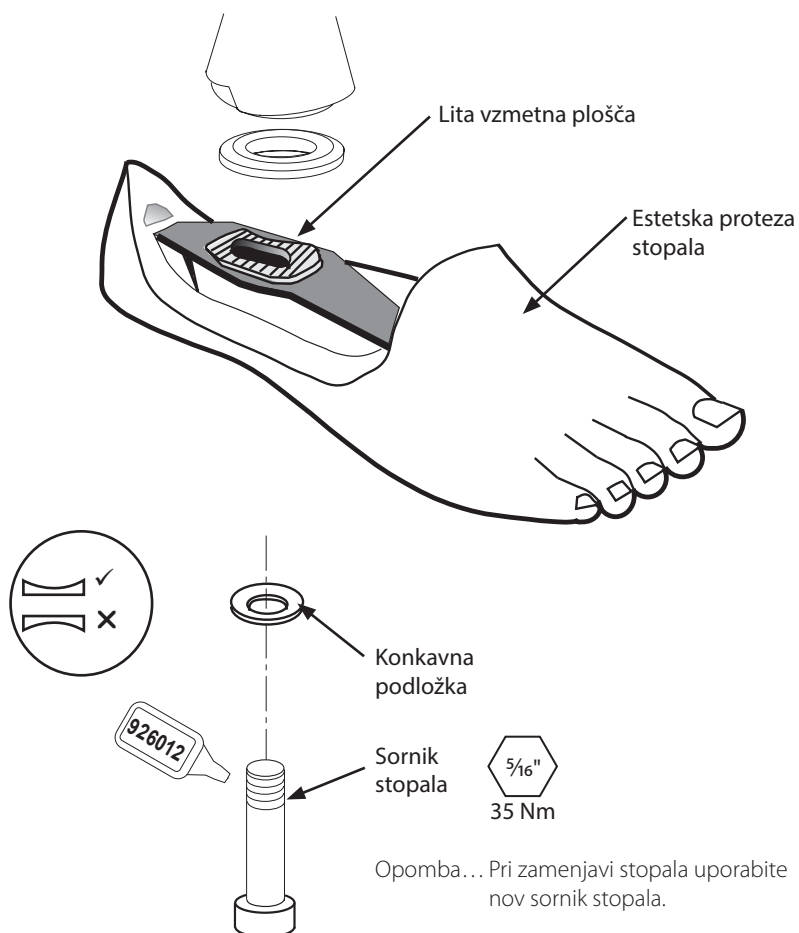
Za zmanjšanje nevarnosti zdrsa in spotika je treba vedno uporabljati ustrezno obutev, ki se dobro prilega estetski protezi stopala.

3 Konstrukcija

Glavni deli

- Estetska proteza stopala - poliuretan
- Lita vzmetna plošča - z vlakni ojačena termoplastika/aluminijeva zlitina
- Sornik stopala - nerjaveče jeklo
- Konkavna podložka - nerjaveče jeklo

Identifikacija komponente



4 Delovanje

Pripomoček združuje trpežen večosni gleženj Multiflex, ki omogoča tekočo, stabilno hojo ter prilagajanje na neravnih površinah. Pripomoček je izdelan iz lahke, z vlakni ojačane termoplastične vzmetne plošče, ki omogoča nežen kotalni gib med prehodom faze stanja in ima ločen palec za bolj naraven videz – idealno za uporabnike z nižjo stopnjo aktivnosti.

Pripomoček je mogoče prilagoditi različnim višinam pete z nazobčano površino gležnja. Model Multiflex Slim ima še dodatno možnost prilagoditve višji peti.

5 Vzdrževanje

Pripomoček je treba redno vizualno pregledovati.

Morebitne spremembe v delovanju pripomočka, kot so npr. neobičajni zvoki, povečana togost ali omejeno/prekomerno gibanje, velika obraba ali prekomerno razbarvanje zaradi dolgotrajne izpostavljenosti UV-žarkom, je treba nemudoma javiti zdravniku/ponudniku storitve.

Zdravnika/ponudnika storitve obvestite o morebitnih spremembah v telesni teži in/ali stopnji aktivnosti.

Čiščenje

Z vlažno krpo in blagim milom očistite zunanje površine. Ne uporabljajte agresivnih čistil.

Preostala navodila v tem poglavju so samo za zdravnika.

To vzdrževanje lahko izvaja samo usposobljeno osebje (zdravnik ali ustrezno usposobljen zdravstveni tehnik).

Priporočeno je naslednje letno vzdrževanje:

- Preverite, ali je sornik stopala dobro pritrjen.

Uporabniki naj svojemu zdravniku sporočijo naslednje:

- spremembe v telesni teži ali stopnji aktivnosti;
- spremembe v delovanju pripomočka, kot so neobičajni zvoki ali zračnost.

Poskrbite, da uporabnik razume vsa navodila za uporabo in ga še posebej opozorite na poglavje Vzdrževanje.

6 Omejitve uporabe

Predvidena uporabna doba

Na osnovi aktivnosti in uporabe je treba opraviti lokalno oceno tveganja.

Dviganje bremen

Glede na težo in aktivnost uporabnika veljajo navedene omejitve. Pri prenašanju bremena mora uporabnik upoštevati lokalno oceno tveganja.

Okolje

Stopala Multiflex ne izpostavljajte korozivnim elementom, kot so voda, kisline in druge tekočine. Izogibati se je treba abrazivnim okoljem, ki vsebujejo pesek, ker povzročajo predčasno obrabo.

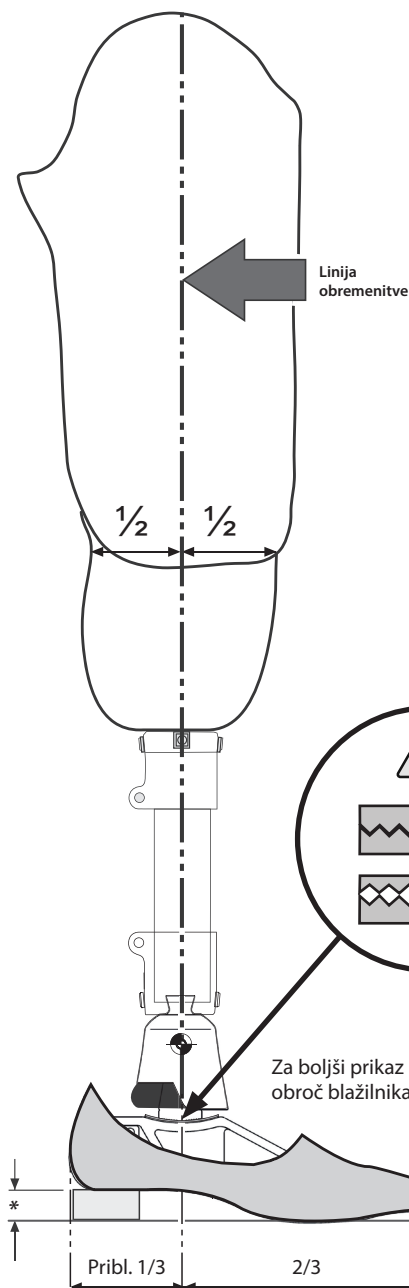
Samo za uporabo pri temperaturi med -10 in 50 °C.



Primerno za uporabo na prostem

7 Poravnava sestava

Navodila v tem poglavju so namenjena samo zdravniku.



Poravnajte transfemoralne pripomočke skladno z navodili za namestitvev, priloženimi kolenu, pri čemer naj bo linija obremenitve poravnana z gležnjem Multiflex, kot je prikazano.

7.1 Statična poravnava

S prilagojeno fleksijo bi morala linija obremenitve potekati skozi sredino ležišča v sagitalni ravnini (A–P) in skozi stopalo Multiflex, kot je prikazano. Upoštevati je treba višino pete čevlja.

7.2 Dinamična prilagoditev

Čelna ravnina

S prilagoditvijo položajev ležišča in stopala poskrbite, da bo premik M–L minimalen.

Sagitalna ravnina

Preverite, ali je prehod s pete na prste enakomeren. Prav tako preverite, ali sta peta in prst med stanjem enakomerno obremenjena in se dotikata tal.

Preverite, ali se nazobčane površine pravilno prilegajo, preden zategnete sornik stopala. Nazobčane površine, ki se ne prilegajo pravilno, lahko povzročajo hrup in nenadno zrahljanje stopala. Preverite, ali se nazobčane površine pravilno prilegajo, tako da sornik stopala zrahljate za 1/8 obrata. Stopalo mora biti zrahljano, vendar se ne sme vrteti. Nato ga privijte z ustreznim zateznim momentom.

Za boljši prikaz podporni obroč blažilnika ni prikazan.

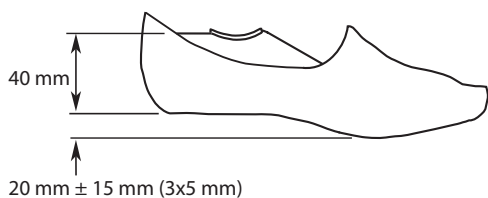
* Upoštevajte uporabnikovo obutev

8 Tehnični podatki

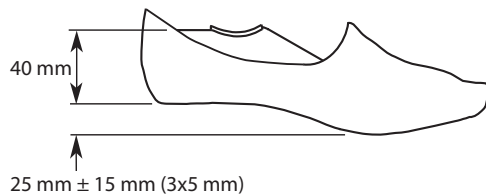
Delovanje in skladiščenje	-15 do 50 °C
Temperaturno območje:	
Teža komponente (velikost 26):	375 g
Stopnja aktivnosti:	1–2
Največja teža uporabnika:	
Stopnja aktivnosti 1–2	125 kg
Stopnja aktivnosti 3–4	100 kg
Višina sestava:	40 mm
Nazivna/srednja višina pete:	Multiflex Slim – 25 mm Multiflex Standard – 20 mm
Razpon nastavitve višine pete:	±15 mm (koraki po 3x5 mm)

Namestitvena dolžina

Multiflex Standard



Multiflex Slim



9 Podatki za naročanje

Multiflex Standard

Velikost (cm)	Št. dela – levi	Št. dela – desni
22	519119	519120
23	519121	519122
24	519123	519124
25	519125	519126
26	519127	519128
27	519129	519130
28	519131	519132
29	519133	519134
30	519135	519136

Multiflex Slim

Velikost (cm)	Št. dela – levi	Št. dela – desni
22	519141	519142
23	519143	519144
24	519145	519146
25	519147	519148

Del	Številka dela
Sornik stopala	400022
Konkavna podložka	500021

Odgovornost

Proizvajalec priporoča, da se pripomoček uporablja samo pri specifičnih pogojih in v predvidene namene. Pripomoček je treba vzdrževati v skladu z navodili, priloženimi pripomočku. Proizvajalec ne prevzema odgovornosti za morebitne neželene posledice, nastale zaradi kakršnih koli kombinacij komponent, ki jih ni odobril.

Skladnost CE

Ta izdelek je v skladu z zahtevami evropske Uredbe EU 2017/745 o medicinskih pripomočkih. Ta izdelek je klasificiran kot izdelek razreda I v skladu z merili za klasifikacijo, navedenimi v prilogi VIII Uredbe. ES-izjava o skladnosti je na voljo na naslednjem spletnem naslovu: www.blatchford.co.uk



Medicinski pripomoček



Samo za enega bolnika –
za večkratno uporabo

Združljivost

Kombiniranje z izdelki znamke Blatchford je odobreno na osnovi preizkusov v skladu z ustreznimi standardi in uredbo o medicinskih pripomočkih, vključno s strukturnim testom, dimenzijsko združljivostjo in nadzorovano učinkovitostjo med uporabo.

Pri kombinacijah z alternativnimi izdelki z oznako CE je treba upoštevati dokumentirano lokalno oceno tveganja, ki jo opravi zdravnik.

Garancija

Ta pripomoček ima 24-mesečno garancijo.

Uporabnik se mora zavedati, da zaradi sprememb ali prilagoditev, ki niso izrecno odobrene, garancija, uporabne licence in izjeme morda ne bodo veljavne.

Zgornje navedbe se lahko razlikujejo glede na trg; za podrobnosti se posvetujte z lokalnim zastopnikom.

Za aktualno celotno garancijsko izjavo obiščite spletno stran podjetja Blatchford.

Prijava resnih nesreč

V malo verjetnem primeru resnih nesreč, nastalih v povezavi s tem pripomočkom, je treba o dogodku obvestiti proizvajalca in pristojne oblasti v vaši državi.

Okoljski vidiki

Za preprečitev morebitne okoljske škode ali nevarnosti za človekovo zdravje zaradi nenadzorovanega odlaganja odpadkov podjetje Blatchford nudi storitev vračila svojih izdelkov. Za podrobnosti se obrnite na službo za pomoč strankam.

Nalepka na embalaži

Zdravniku svetujemo, da nalepko na embalaži nameščenega pripomočka shrani za morebitno uporabo v prihodnje.

Izjave o blagovnih znamkah

Multiflex in Blatchford sta registrirani blagovni znamki podjetja Blatchford Products Limited.

Uradni naslov proizvajalca

Blatchford Products Limited, Lister Road, Basingstoke RG22 4AH, Združeno kraljestvo.

Съдържание.....	22
1 Описание и предназначение	23
2 Информация относно безопасността.....	24
3 Устройство.....	25
4 Функция.....	26
5 Поддръжка.....	26
6 Ограничения в употребата.....	27
7 Центроване на стенд.....	28
7.1 Статично центроване.....	28
7.2 Динамично центроване.....	28
8 Технически данни.....	29
9 Информация за поръчка.....	30

1 Описание и предназначение

Настоящите инструкции за употреба са предназначени за ползване само от лекаря/ протезиста и потребителя, освен ако не е посочено друго.

Терминът „изделие“ в настоящите инструкции за употреба се отнася за протезни стъпала Multiflex.

Моля, прочетете и се уверете, че разбирате всички инструкции за употреба и по-специално цялата информация относно безопасността и инструкциите за поддръжка.

Приложение

Настоящото изделие се използва само като част от протеза за долен крайник.

Предназначено е за индивидуална употреба.

Тази комбинация осигурява на потребителя полицентрично движение, когато се използва заедно с глезен Multiflex, който подобрява стабилността. Нископрофилният дизайн с пръст за носене на сандали придава по-естествен вид на стъпалото.

Ниво на мобилност

Настоящото изделие се препоръчва за потребители с нива на мобилност 1–2.

Има изключения от нашите препоръки, като бихме искали да се вземат предвид индивидуалните обстоятелства. Потребители с ниво на мобилност 3–4* също биха могли да имат полза от това изделие, но решението за това трябва да взето въз основа на разумна и задълбочена преценка.

*Максимално тегло на потребителя: 100 кг.

Ниво на мобилност 1

Потребителят е в състояние или има потенциал да използва протезата за придвижване или ходене по равни повърхности при равномерен ритъм на крачката. Характерно за пациентите с ограничена и неограничена способност за движение, предимно на закрито.

Ниво на мобилност 2

Потребителят е в състояние или има потенциал да преодолява малки препятствия на околната среда, като бордюри, стъпала или неравни повърхности. Характерно за пациентите с ограничена способност за движение, които се придвижват на открито.

Ниво на мобилност 3

Потребителят е в състояние или има потенциал да се придвижва с различен ритъм на крачката. Характерно за пациенти, които се придвижват на открито без ограничения, които са способни да преодоляват повечето препятствия в околната среда и може да имат потребност от професионална, терапевтична или тренировъчна активност, която налага използване на протезата извън рамките на обикновеното придвижване.

Ниво на мобилност 4

Потребителят е в състояние или има потенциал да се придвижва с протезата извън рамките на базовите умения за придвижване, което е свързано с повишено натоварване, напрежение или ниво на енергия. Характерно за изискванията към протезите за деца, активни възрастни или спортисти.

Противопоказания

Изделието може да не е подходящо за употреба при състезателни спортни събития.

При такъв тип потребители може да е по-подходяща индивидуално проектирана протеза, оптимизирана според техните потребности.

Клинични ползи

- Ниската твърдост при поемане на тежестта води до ранно поставяне на цялото стъпало върху опорната повърхност и по-голяма стабилност за потребителите с по-ниско ниво на мобилност в сравнение с моноцентрични стъпала и стъпала с твърд глезен и омекотена пета.
- Няма загуба на стабилност при двустранно протезирани потребители в сравнение с твърдите глезени
- По-лесно ходене по неравна повърхност при двустранно протезирани потребители в сравнение с използването на твърди глезени
- По-лесно ходене по наклонени повърхности при двустранно протезирани потребители в сравнение с използването на твърди глезени
- По-лесно изминаване на по-дълги разстояния при двустранно протезирани потребители в сравнение с използването на твърди глезени
- Подобрена времева симетрия на опорната фаза в сравнение с използването на твърди глезени
- Намалено натоварване на здравия крайник в сравнение с използването на твърди глезени

2 Информация относно безопасността



Този предупредителен символ обозначава важна информация относно безопасността, на която трябва да се обърне внимание.



Всякакви промени в движението или функционирането на крайника, като например ограничения в движението, прекомерно движение, скованост или необичайни шумове, трябва да се докладват незабавно на лекаря/протезиста.



Винаги използвайте парапет при слизване по стълби, както и при всеки друг случай, ако е възможно.



Изделието не е подходящо за екстремни спортове, бягане или състезателно колоездене, зимни спортове, големи наклони и стъпала. Предприемането на всякакви такива действия е изцяло на собствен риск на потребителите. Допуска се колоездене с рекреационна цел.



Монтирането, поддръжката и ремонтването на изделието трябва да се извършва единствено от медицински специалист или техник с подходяща квалификация.



Препоръчва се потребителят да се свърже със своя лекар/протезист, ако състоянието му се промени.



Когато шофирате, използвайте само превозни средства с подходящо допълнително оборудване. Всички лица трябва да спазват съответните закони за движение по пътищата при управление на моторни превозни средства.



За да се снижи до минимум рискът от подхлъзване и препъване, върху облицовката на протезното стъпало трябва винаги да се носят подходящи плътно прилягащи обувки.

3 Устройство

Основни части

- Облицовка на протезно стъпало - Полиуретан
- Формован стабилизатор - фиброармирана термопластична/алуминиева сплав
- Болт за стъпало - Неръждаема стомана
- Вдлъбнатата шайба - Неръждаема стомана

Обозначение на елементите



4 Функция

Изделието се комбинира с гъвкав глезен Multiflex с полицентрично движение, за да осигури плавно, стабилно действие при ходене и да позволи известна адаптация към неравни повърхности. Изделието се състои от олекотен стабилизатор от фиброармирана термопластмаса, който осигурява плавно претъркалящо действие по време на опорната фаза и включва пръст за носене на сандали за по-естествен външен вид, което го прави идеално за потребители с по-ниско ниво на мобилност.

Назъбената контактна част на глезена позволява предвиждане на различен диапазон на височина на петата. Multiflex Slim разполага с възможност за допълнителна височина на петата за по-висока пета.

5 Поддръжка

Проверявайте редовно изделието визуално.

Докладвайте всякакви промени във функционирането на изделието на лекаря/ протезиста, като например необичайни шумове, затруднено движение или ограничено/ прекомерно движение, значително износване или прекомерна промяна на цвета поради продължително излагане на ултравиолетови лъчи.

Информирайте лекаря/протезиста за всякакви промени в телесното тегло и/или нивото на мобилност.

Почистване

Използвайте навлажнена кърпа и мек сапун за почистване на външните повърхности. Не използвайте агресивни почистващи препарати.

Останалите инструкции в този раздел са предназначени само за лекаря/протезиста.

Поддръжката трябва да се извършва само от компетентен персонал (медицинско лице или техник с подходяща квалификация).

Препоръчва се ежегодно да се извършва следната поддръжка:

- проверка на затегнатостта на болта на стъпалото.

Инструктирайте потребителите да съобщават следните обстоятелства на своя лекар:

- промени в телесното тегло или нивото на мобилност;
- промени в експлоатационните качества на изделието, например необичайни шумове или луфт.

Уверете се, че потребителят е разбрал всички инструкции за употреба, като е обърнал специално внимание на раздел „Поддръжка“.

6 Ограничения в употребата

Срок на експлоатация

Необходимо е извършване на индивидуална оценка на риска въз основа на мобилността и употребата.

Повдигане на тежести

Ограниченията зависят от теглото на потребителя и неговото ниво на мобилност. Носенето на тежести от потребителя трябва да бъде според индивидуалната оценка на риска.

Околна среда

Избягвайте излагане на стъпалото Multiflex на корозивни елементи, като вода, киселини и други течности. Избягвайте абразивна среда, като среда, съдържаща пясък, тъй като това може да доведе до преждевременно износване.

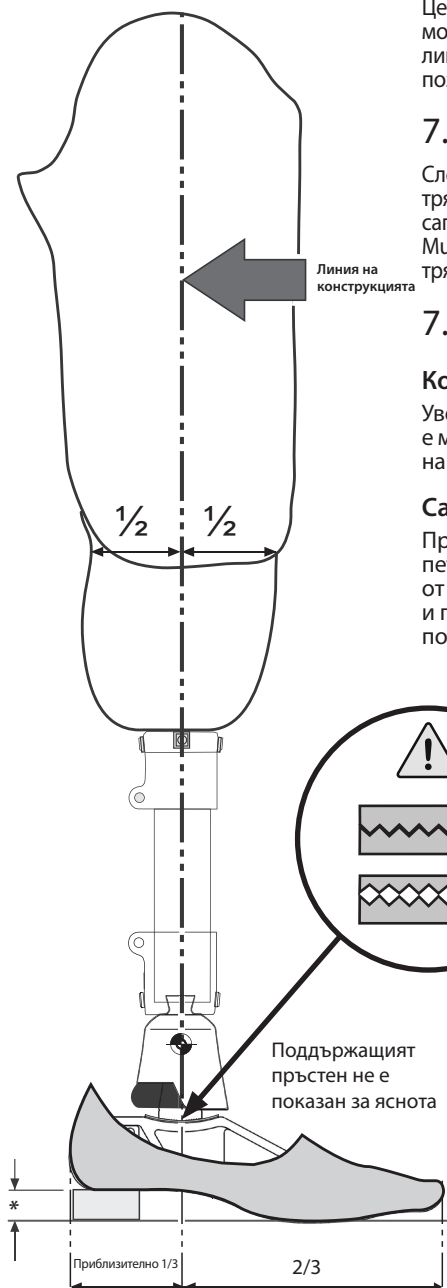
Изделието може да се използва само при температура между -10°C и 50°C . (14°F и 122°F).



Подходящо за употреба на открито

7 Центроване на стънд

Инструкциите в този раздел са предназначени само за медицинско лице/протезист.



Центровайте бедрените изделия според инструкциите за монтаж, предоставени с протезното коляно, като държите линията на конструкцията на показаната относителна позиция спрямо стъпалото Multiflex, както е показано.

7.1 Статично центроване

След придвижване на флексията линията на конструкцията трябва да минава през центъра на приемната гилза в сагиталната предно-задна (А-Р) равнина и през стъпалото Multiflex, както е показано. Височината на тока на обувката трябва да бъде съобразена.

7.2 Динамично центроване

Коронална равнина

Уверете се, че медиално-латералното (М-Л) изтласкване е минимално, като регулирате относителните позиции на приемната гилза и протезното стъпало.

Сагитална равнина

Проверете дали преходът от началния контакт на петата с повърхността към отделянето на пръстите от повърхността е плавен. Уверете се също, че петата и пръстите са равномерно натоварени в изправено положение и докосват пода едновременно.

Проверете дали назъбванията са правилно позиционирани, преди да затегнете болта на стъпалото. Неправилно позиционираните назъбвания могат да причинят шум и да доведат до внезапно разхлабване на стъпалото. Потвърдете правилното позициониране на назъбванията, като отпуснете болта на стъпалото с 1/8 оборот. Стъпалото трябва да е свободно, но да не се върти. След това затегнете с правилната сила на затягане.

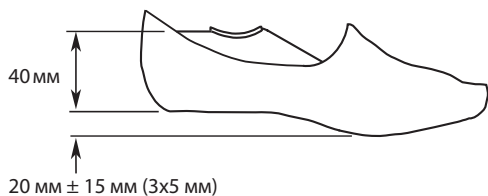
* Предвидете обувките, които ще носи потребителят

8 Технически данни

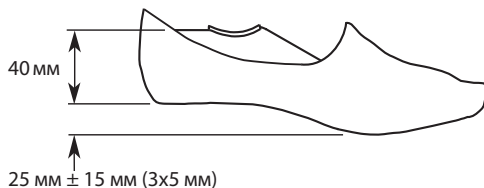
Температурен диапазон на експлоатация и съхранение:	-15 °C до 50 °C
Тегло на елемента (размер 26):	375 г
Ниво на мобилност:	1–2
Максимално тегло на потребителя:	
Ниво на мобилност 1–2	125 кг
Ниво на мобилност 3–4	100 кг
Височина на конструкцията:	40 мм
Номинална/средна височина на петата:	Multiflex Slim – 25 мм Multiflex Standard – 20 мм
Обхват на регулиране на височината на петата:	± 15 мм (стъпки от 3x5 мм)

Монтажна дължина

Multiflex Standard



Multiflex Slim



9 Информация за поръчка

Multiflex Standard

Размер (см)	Каталожен номер – ляво	Каталожен номер – дясно
22	519119	519120
23	519121	519122
24	519123	519124
25	519125	519126
26	519127	519128
27	519129	519130
28	519131	519132
29	519133	519134
30	519135	519136

Multiflex Slim

Размер (см)	Каталожен номер – ляво	Каталожен номер – дясно
22	519141	519142
23	519143	519144
24	519145	519146
25	519147	519148

Част	Каталожен номер
Болт за стъпало	400022
Вдлъбнатата шайба	500021

Отговорност

Производителят препоръчва изделието да се използва само при посочените условия и по предназначение. Изделието трябва да се поддържа в съответствие с инструкциите за употреба, предоставени с него. Производителят не носи отговорност за неблагоприятни събития, причинени от комбинации от елементи, които не са одобрени от него.

Маркировка за съответствие CE

Този продукт отговаря на изискванията на Регламент (ЕС) 2017/745 за медицинските изделия. Този продукт е класифициран като продукт от клас I според правилата за класификация, описани в Приложение VIII на регламента. ЕС декларацията за съответствие е достъпна на следния интернет адрес: www.blatchford.co.uk



Медицинско изделие



Предназначено за многократна употреба от един пациент

Съвместимост

Комбинирането с продукти на Blatchford е одобрено въз основа на изпитвания в съответствие с приложимите стандарти и Регламент (ЕС) 2017/745 за медицинските изделия, включително изпитване на конструкцията, съвместимост относно размерите и проследяване на функционалността в реални условия.

Комбинирането с други продукти с маркировка CE трябва да се извършва с оглед на документираната индивидуална оценка на риска, извършена от специалист.

Гаранция

Гаранцията на това изделие е 24 месеца.

Потребителят трябва да е наясно, че промени или модификации, които не са изрично одобрени, биха могли да доведат до анулиране на гаранцията, лицензите за работа и изключенията.

Гаранционните условия може да варират на различните пазари. Консултирайте се с местния представител за повече информация.

Вижте уебсайта на Blatchford за актуалната пълна декларация за гаранция.

Докладване на сериозни инциденти

В малко вероятния случай на сериозен инцидент, свързан с настоящото изделие, инцидентът трябва да се докладва на производителя и на компетентния национален орган.

Екологични аспекти

За да помогне за предотвратяване на потенциалните вреди за околната среда или човешкото здраве в резултат от неконтролираното изхвърляне на отпадъци, Blatchford предлага услуга по приемане на изделието обратно. Моля, свържете се с отдел „Обслужване на клиенти“ за повече информация.

Запазване на етикета на опаковката

Препоръчва се медицинското лице/протезистът да запази етикета на опаковката като документ за доставеното изделие.

Потвърждение за търговска марка

Multiflex и Blatchford са регистрирани търговски марки на Blatchford Products Limited.

Адрес на управление на производителя

Blatchford Products Limited, Lister Road, Basingstoke RG22 4AH, Обединено кралство.

Sadržaj.....	32
1 Opis i predviđena namjena	33
2 Informacije o sigurnosti	34
3 Izvedba.....	35
4 Funkcija.....	36
5 Održavanje.....	36
6 Ograničenja uporabe.....	37
7 Početno poravnanje.....	38
7.1 Statičko poravnanje	38
7.2 Dinamičko poravnanje.....	38
8 Tehnički podaci	39
9 Informacije za naručivanje.....	40

1 Opis i predviđena namjena

Ove upute za uporabu namijenjene su zdravstvenim djelatnicima i korisnicima, osim ako nije drukčije navedeno.

Izraz *proizvod* u ovim uputama za uporabu odnosi se na protetička stopala Multiflex.

Molimo s razumijevanjem pročitajte sve upute za uporabu, posebno sve informacije o sigurnosti i upute o održavanju.

Primjena

Ovaj se proizvod smije upotrebljavati isključivo kao dio proteze donjeg ekstremiteta.

Namijenjen je za jednog korisnika.

Ovaj sklop omogućava korisniku višeosno kretanje kad se upotrebljava u kombinaciji s nožnim zglobovom Multiflex, što pojačava stabilnost. Niskoprofilna izvedba i palac boje sandalovine za prirodniji izgled stopala.

Stupanj aktivnosti

Ovaj proizvod preporučuje se za korisnike stupnjeva aktivnosti 1 ili 2.

Postoje iznimke u odnosu na naše preporuke i trudimo se uzeti u obzir jedinstvene, individualne okolnosti. Možda postoje korisnici stupnjeva aktivnosti 3–4* kojima bi ovaj proizvod koristio, no takva odluka mora biti razumno i detaljno obrazložena.

* Maksimalna tjelesna težina korisnika: 100 kg

Stupanj aktivnosti 1

Može upotrebljavati ili postoji potencijal upotrebljavanja proteze za transfer ili kretanje na ravnim površinama ujednačenim tempom. Karakteristično za osobu ograničene i neograničene sposobnosti hoda u stambenom prostoru.

Stupanj aktivnosti 2

Može hodati ili postoji potencijal za hod uz sposobnost prelazanja manjih prepreka u okruženju, poput rubnika, stuba ili neravnih površina. Karakteristično za ograničene sposobnosti hoda u vanjskom okruženju.

Stupanj aktivnosti 3

Može hodati ili postoji potencijal za hod promjenjivim tempom.

Karakteristično za osobu sa sposobnošću hoda u vanjskom okruženju koja može prelaziti većinu prepreka u okruženju i bavi se radnim, terapijskim ili rekreacijskim aktivnostima koje zahtijevaju složeniju uporabu proteze koja nadilazi jednostavne oblike kretanja.

Stupanj aktivnosti 4

Može hodati ili postoji potencijal za hod s protezom koji nadilazi osnovne sposobnosti kretanja, a pokazuje značajnu razinu upora, izdržljivosti i energije. Karakteristično za protetičke potrebe djece, aktivnih odraslih osoba ili sportaša.

Kontraindikacije

Proizvod možda nije prikladan za uporabu u sportskim natjecanjima. Za korisnika te vrste možda je primjerenija posebno oblikovana proteza optimizirana za njegove potrebe.

Kliničke prednosti

- Mala krutost kod prihvata težine omogućava rano izravnavanje stopala s tlom i veću stabilnost kod korisnika nižeg stupnja aktivnosti u usporedbi s jednoosnim stopalima i stopalima s krutim nožnim zglobovima i ojastućenom petom
- Nema gubitka stabilnosti kod obostrano amputiranih osoba, u usporedbi s krutim nožnim zglobovima
- Obostrano amputiranim korisnicima olakšava kretanje na neravnom terenu, u usporedbi s krutim nožnim zglobovima
- Obostrano amputiranim korisnicima olakšava kretanje na kosinama, u usporedbi s krutim nožnim zglobovima
- Obostrano amputiranim korisnicima olakšava dugotrajno kretanje, u usporedbi s krutim nožnim zglobovima
- Poboljšana vremenska uravnoteženost faze stava, u usporedbi s krutim nožnim zglobovima
- Smanjeno opterećenje zdravog ekstremiteta, u usporedbi s krutim nožnim zglobovima

2 Informacije o sigurnosti



Ova oznaka upozorenja naglašava važne informacije o sigurnosti kojih se potrebno pažljivo pridržavati.



Bilo kakve promjene funkcionalnosti ili u radu ekstremiteta npr. ograničeni pokreti, pretjerani pokreti, neuravnoteženi pokreti ili neobični zvukovi, moraju se odmah prijaviti pružatelju usluge.



Uvijek upotrebljavajte rukohvat prilikom silazanja niza stube i u svim ostalim prilikama ako je dostupno.



Proizvod nije primjeren za ekstremne sportove, natjecanja u trčanju ili biciklizmu, zimske sportove, ekstremne padine i stube. Bavljenje takvim aktivnostima na isključivu je odgovornost korisnika. Rekreativni biciklizam je prihvatljiv.



Sklapanje, održavanje i popravak proizvoda mora obavljati zdravstveni djelatnik ili odgovarajuće osposobljeni tehničar.



Korisnik mora obavijestiti svog zdravstvenog djelatnika o svakoj promjeni svog stanja.



Osigurajte da se za vožnju koriste odgovarajuće prilagođena vozila. Svi korisnici dužni su pridržavati se važećih prometnih propisa prilikom upravljanja motornim vozilima.



Kako bi se smanjio rizik od pokliznuća i spoticanja, u svakom je trenutku potrebno upotrebljavati odgovarajuću obuću koja čvrsto prianja na čahuru stopala.

3 Izvedba

Glavni dijelovi

- Čahura stopala - poliuretan
- Oblikovan klin - slitina termoplastike i aluminija ojačana vlaknima
- Vijak za stopalo - nehrđajući čelik
- Konkavna podloška - nehrđajući čelik

Prikaz komponenti



4 Funkcija

Proizvod se spaja s elastičnim višeosnim nožnim zglobovima Multiflex kako bi se omogućilo neometano, stabilno hodanje i djelomičan sraz s neravnim površinama. Ovaj proizvod sastoji se od lakog klina od vlaknima ojačane termoplastike, koji omogućava blago okretanje kroz fazu stava i sadrži palac boje sandalovine za prirodniji izgled—savršeno za korisnike nižeg stupnja aktivnosti.

Raspon visina pete može se prilagoditi putem nazubljenog sučelja nožnog zgloba. Proizvod Multiflex Slim ima dodatni kapacitet visine pete za višu petu.

5 Održavanje

Redovito vizualno pregledavajte proizvod.

Bilo kakve promjene funkcionalnosti ovog proizvoda prijavite zdravstvenom djelatniku/pružatelju usluge, npr. neobične zvukove, povećanu ukočenost, ograničene/pretjerane pokrete, značajnu dotrajalost ili pretjeranu izbljedjelost zbog dugotrajne izloženosti UV zračenju.

Obavijestite zdravstvenog djelatnika/pružatelja usluge o svim promjenama u tjelesnoj težini i/ili stupnju aktivnosti.

Čišćenje

Vanjske površine čistite vlažnom krpom i blagim sapunom, ne upotrebljavajte agresivna sredstva za čišćenje.

Ostale upute u ovom odjeljku namijenjene su samo zdravstvenom djelatniku.

Ovo održavanje smije izvoditi samo kvalificirano osoblje (zdravstveni djelatnik ili odgovarajuće osposobljeni tehničar).

Preporučuje se sljedeće godišnje održavanje:

- Provjerite zategnutost vijka za stopalo

Uputite korisnike da obavijeste svog zdravstvenog djelatnika o sljedećem:

- Promjene tjelesne težine ili stupnja aktivnosti
- Promjene funkcionalnosti ovog proizvoda, na primjer neobični zvukovi ili zračnost

Osigurajte da je korisnik u potpunosti shvatio sve upute za uporabu, posebno obraćajući pozornost na odjeljak Održavanje.

6 Ograničenja uporabe

Predviđen rok trajanja

Lokalnu procjenu rizika potrebno je izvršiti na temelju aktivnosti i uporabe.

Podizanje tereta

Tjelesna težina korisnika i aktivnosti podliježu navedenim ograničenjima. Teret koji korisnik smije nositi mora se odrediti lokalnom procjenom rizika.

Okruženje

Izbjegavajte stopalo Multiflex izlagati korozivnim elementima poput vode, kiselina i drugih tekućina.

Izbjegavajte abrazivna okruženja poput onih koja sadrže pijesak jer to može pridonijeti prijevremenom trošenju.

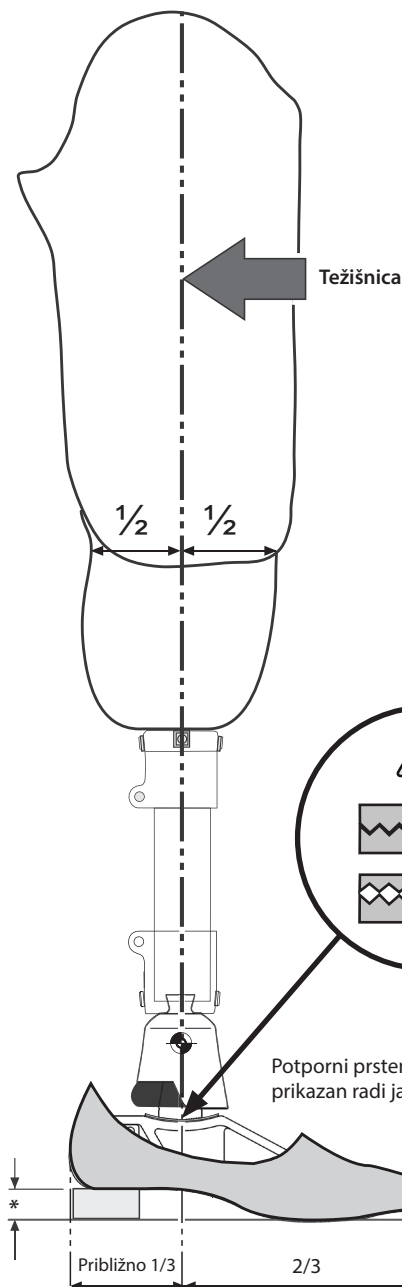
Isključivo za uporabu na temperaturi od -10 °C do 50 °C.



Prikladno za uporabu
na otvorenom

7 Početno poravnanje

Upute u ovom odjeljku namijenjene su samo zdravstvenom djelatniku.



Poravnajte naprave natkoljenice prema uputama o prilagođavanju isporučanim uz koljeno, održavajući težišnicu u relativnom odnosu prema nožnom zglobu Multiflex kako je prikazano.

7.1 Statičko poravnanje

Kad je fleksija prilagođena, težišnica mora prolaziti kroz središte ležišta u sagitalnoj ravnini (A-P) i kroz stopalo Multiflex kako je prikazano. Potrebno je prilagoditi visinu pete cipele.

7.2 Dinamičko poravnanje

Čeona (frontalna) ravnina

Prilagodbom relativnih položaja ležišta i stopala osigurajte da M-L zamah bude minimalan.

Središnja (sagitalna) ravnina

Provjerite je li prijelaz od nagaza petom do odraza palcem neometan. Također osigurajte da su prilikom stajanja i peta i palac ravnomjerno opterećeni i u doticaju s tlom.

Osigurajte dosjed zubaca prije zatezanja vijka za stopalo Nepravilan dosjed zubaca može stvarati zvukove i prouzročiti iznenadno olabavljenje stopala. Potvrdite pravilan dosjed zubaca otpuštanjem vijka za stopalo za 1/8 okreta Stopalo mora biti labavo ali se ne smije okretati. Zatim zategnite na ispravni okretni moment.

Potporni prsten amortizera nije prikazan radi jasnijeg pregleda.

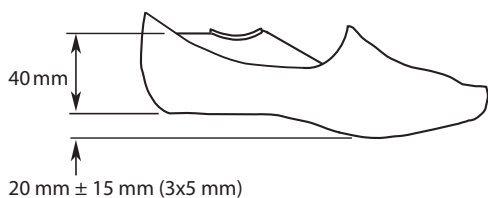
* Imajte na umu obuću korisnika

8 Tehnički podaci

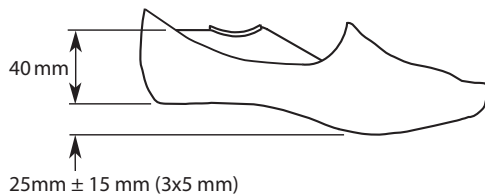
Radni i temperaturni raspon skladištenja:	-15 °C do 50 °C
Težina komponente (veličina 26):	375 g
Stupanj aktivnosti:	1–2
Maksimalna tjelesna težina korisnika:	
Stupanj aktivnosti 1–2	125 kg
Stupanj aktivnosti 3–4	100 kg
Visina izvedbe:	40 mm
Nazivna/srednja visina pete:	Multiflex Slim — 25 mm Multiflex Standard — 20 mm
Raspon prilagodbe visine pete:	± 15 mm (postupni koraci 3x5 mm)

Duljina prilagođavanja

Multiflex Standard



Multiflex Slim



9 Informacije za naručivanje

Multiflex Standard

Veličina (cm)	Broj dijela — lijevo	Broj dijela — desno
22	519119	519120
23	519121	519122
24	519123	519124
25	519125	519126
26	519127	519128
27	519129	519130
28	519131	519132
29	519133	519134
30	519135	519136

Multiflex Slim

Veličina (cm)	Broj dijela — lijevo	Broj dijela — desno
22	519141	519142
23	519143	519144
24	519145	519146
25	519147	519148

Dio	Broj dijela
Vijak za stopalo	400022
Konkavna podloška	500021

Odgovornost

Proizvođač preporučuje uporabu proizvoda u skladu s navedenim uvjetima i za predviđene namjene. Proizvod mora biti održavan u skladu s uputama za uporabu isporučenim uz proizvod. Proizvođač nije odgovoran ni za kakve neželjene ishode uzrokovane kombiniranjem komponenti koje nije odobrio.

CE sukladnost

Ovaj proizvod ispunjava zahtjeve Uredbe (EU) 2017/745 o medicinskim proizvodima. Ovaj proizvod razvrstan je kao proizvod klase rizika I prema kriterijima razvrstavanja navedenima u Dodatku VIII. Uredbe. Certifikat EU Izjava o sukladnosti dostupan je na sljedećoj internetskoj stranici: www.blatchford.co.uk



Medicinski proizvod



Jedan korisnik - višestruka uporaba

Kompatibilnost

Kombiniranje s proizvodima marke Blatchford odobrava se na temelju ispitivanja u skladu s primjenjivim normama i Uredbom o medicinskim proizvodima (MDR) uključujući ispitivanje strukture, usklađenost dimenzija i nadziranu radnu učinkovitost.

Kombiniranje s alternativnim proizvodima s oznakom CE mora se provesti uz dokumentiranu lokalnu procjenu rizika od strane zdravstvenog djelatnika.

Jamstvo

Na ovaj proizvod daje se jamstvo od 24 mjeseca.

Korisnik mora biti svjestan da promjene ili preinake koje nisu izričito dopuštene mogu poništiti jamstvo, odobrenja za rad i izuzeća.

Gore navedeno može se razlikovati prema tržištu, obratite se svom lokalnom predstavniku za detalje.

Pogledajte internetsku stranicu tvrtke Blatchford za uvid u cjelovitu važeću izjavu o jamstvu.

Prijavljivanje ozbiljnih neželjenih događaja

U malo vjerojatnom slučaju pojave ozbiljnog neželjenog događaja vezanog uz ovaj proizvod, potrebno je isti prijaviti proizvođaču i nadležnom državnom tijelu.

Ekološki aspekti

Radi sprečavanja potencijalne štete za okoliš i ljudsko zdravlje zbog nekontroliranog zbrinjavanja otpada, tvrtka Blatchford nudi uslugu preuzimanja i zbrinjavanja otpada. Molimo kontaktirajte korisničku službu za detalje.

Čuvanje oznake pakiranja

Zdravstveni djelatnik treba sačuvati oznaku pakiranja kao evidenciju isporučenog proizvoda.

Izjave o žigu

Multiflex i Blatchford registrirani su žigovi tvrtke Blatchford Products Limited.

Adresa sjedišta proizvođača

Blatchford Products Limited, Lister Road, Basingstoke RG22 4AH, UK.

Obsah	42
1 Opis a zamýšľaný účel	43
2 Informácie o bezpečnosti.....	44
3 Konštrukcia.....	45
4 Funkcia.....	46
5 Údržba.....	46
6 Obmedzenie používania	47
7 Zarovnanie osadenia.....	48
7.1 Statické zarovnanie	48
7.2 Dynamické zarovnanie.....	48
8 Technické údaje	49
9 Informácie pri objednávaní	50

1 Opis a zamýšľaný účel

Návod na použitie je určený odborníkovi a používateľovi, ak nie je uvedené inak.

V návode sa používa termín *pomôcka* a odkazuje na chodidlá Multiflex.

Pozorne si prečítajte celý návod na použitie, predovšetkým všetky informácie o bezpečnosti, a návod na údržbu.

Použitie

Pomôcka sa smie používať výhradne ako súčasť protézy dolnej končatiny.

Je určená jednému používateľovi.

Pri použití s členkom multiflex, ktorý zvyšuje stabilitu, používateľovi uvedená kombinácia umožní viacsový pohyb. Nízkoprofilové prevedenie so sandálovými prstami sa stará o prirodzenejší vzhľad chodidla.

Úroveň aktivity

Pomôcka sa odporúča používateľom s úrovňou aktivity 1 a 2.

V odporúčeníach existujú výnimky a chceme nechať priestor jedinečným okolnostiam.

Z produktu by mohli mať osov aj používatelia s úrovňou aktivity 3 a 4*, no rozhodnúť sa treba po dôkladnom zvážení.

*Maximálna hmotnosť používateľa: 100 kg.

Úroveň aktivity 1

Má schopnosť alebo potenciál používať protézu na presun alebo chôdzu na rovnom povrchu pri fixnej kadencii. Typická pre chodca v domácnosti s obmedzením alebo bez obmedzenia.

Úroveň aktivity 2

Má schopnosť alebo potenciál chôdze so schopnosťou prechádzať cez nízke prekážky v okolitom prostredí, ako sú obrubníky, schody alebo nerovný povrch. Typická pre komunitného chodca s obmedzením.

Úroveň aktivity 3

Má schopnosť a potenciál chôdze s rozličnou kadenciou.

Typická pre komunitného chodca so schopnosť prechádzať cez väčšinu prekážok v okolitom prostredí, ktorý môže vykonávať pracovnú, terapeutickú alebo cvičebnú aktivitu vyžadujúci si používanie protézy mimo jednoduchého pohybu.

Úroveň aktivity 4

Má schopnosť alebo potenciál protetickej chôdze, ktorá prekračuje základné ambulantné zručnosti, má veľkú mieru dopadu, tlaku alebo energie. Typická pre protetické nároky detí, aktívnych dospelých alebo športovcov.

Kontraindikácie

Pomôcka nemusí byť vhodná pri súťažných športových podujatiach. Týmto typom používateľov by mohla lepšie poslúžiť špeciálne navrhnutá protéza upravená podľa ich potrieb.

Klinické výhody

- Nízka tuhosť pri zaťažení v porovnaní s jednoosovými chodidlami a chodidlami s pevným členkom a tlmenou pätou vedie k skorému došlapu na chodidlo a väčšej stabilite používateľov s nižšou mobilitou.
- Používatelia s obojstrannou amputáciou v porovnaní s pevnými členkami nepocitujú nižšiu stabilitu.
- Jednoduchšia chôdza po nerovnom teréne pre používateľov s obojstrannou amputáciou v porovnaní s pevnými členkami
- Jednoduchšia chôdza po svahu pre používateľov s obojstrannou amputáciou v porovnaní s pevnými členkami
- Jednoduchšia chôdza na dlhšie vzdialenosti pre používateľov s obojstrannou amputáciou v porovnaní s pevnými členkami
- Lepšia symetria časovania fázy stoja v porovnaní s pevnými členkami
- Nižšia záťaž zdravej končatiny v porovnaní s pevnými členkami

2 Informácie o bezpečnosti



Tento výstražný symbol poukazuje na dôležité bezpečnostné informácie, ktoré treba dôsledne dodržiavať.



Všetky zmeny vo vlastnostiach alebo fungovaní končatiny, napr. obmedzený alebo nadmerný pohyb, drhnutie pri pohybe alebo nezvyčajné zvuky, sa musia ihneď nahlásiť servisnému pracovníkovi.



Pri kráčaní dolu schodmi a vždy, keď je k dispozícii, sa držte zábradlia.



Pomôcka nie je vhodná na extrémne športy, beh ani cyklistické závody, ľadové ani snehové športy, extrémne svahy ani schody. Absolvovanie takýchto aktivít je výhradne na riziko používateľa. Rekreačná cyklistika je povolená.



Skladanie, údržbu a opravu pomôcky sme vykonávať len odborník alebo primerane kvalifikovaný klinický pracovník.



Používateľ sa má v prípade zmeny zdravotného stavu obrátiť na odborníka.



Pri šoférovaní dbajte na to, aby sa používali len vhodne upravené vozidlá. Pri riadení motorového vozidla sa od každého očakáva dodržiavanie príslušných zákonov o cestnej premávke.



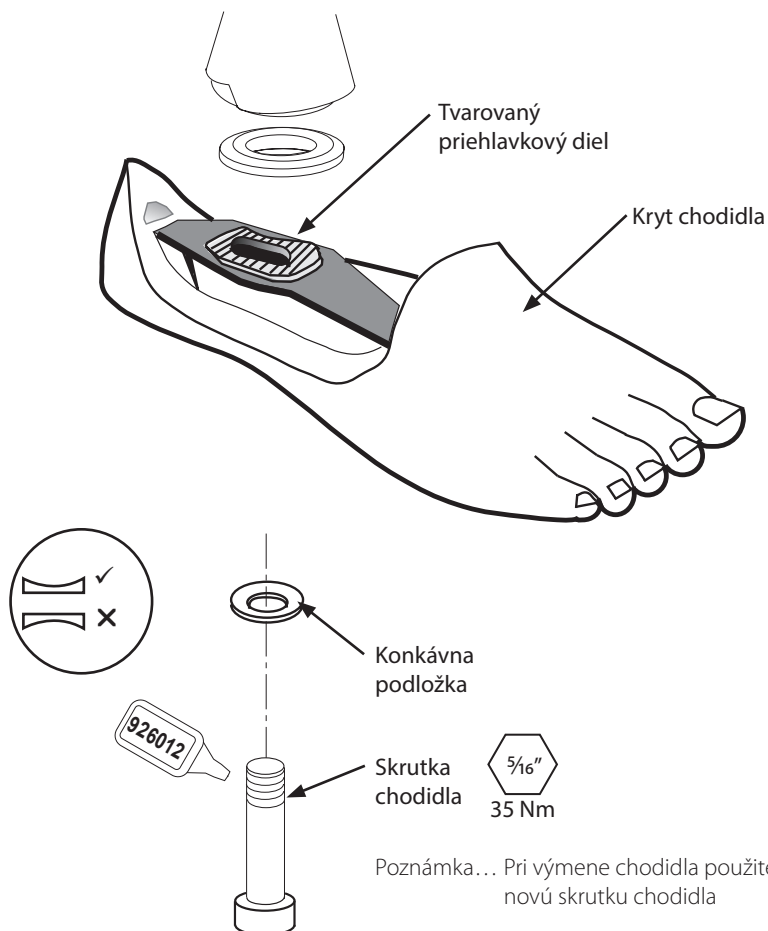
Na minimalizovanie rizika pošmyknutia alebo zakopnutia je potrebné neustále nosiť obuv, ktorá bezpečne prilieha ku krytu chodidla.

3 Konštrukcia

Hlavné diely

- Kryt chodidla - Polyuretán
- Tvarovaný priehlavkový diel - Vlákнами zosilnený termoplast/
hliníková zliatina
- Skrutka chodidla - Nehrdzavejúca oceľ
- Konkávna podložka - Nehrdzavejúca oceľ

Identifikácia dielu



4 Funkcia

Pomôcka kombinuje odolný viacosový členok Multiflex a stará sa o hladkú a stabilnú chôdzu a poddajnosť na nerovnom teréne. Pomôcka pozostáva z ľahkého, vláknami zosilneného termoplastového priehlavkového dielu, ktorý sa počas stoja stará o jemný odval. Má sandálové prsty, vďaka čomu má prirodzený vzhľad – je ideálna pre používateľov s nižšou úrovňou aktivity.

V zúbkovanom členkovom rozhraní možno použiť rozličné výšky päty. Multiflex Slim má doplnkový priestor na vyššiu pätu.

5 Údržba

Pomôcku pravidelne kontrolujte zrakom.

Všetky zmeny vo vlastnostiach pomôcky nahláste technikovi/servisnému pracovníkovi, napr. nezvyčajné zvuky, zvýšenú tuhosť alebo obmedzený/nadmerný pohyb, značné opotrebovanie alebo nadmerné blednutie v dôsledku dlhému vystavovaniu UV žiareniu.

Informujte odborníka/servisného pracovníka o zmene v telesnej hmotnosti a/alebo úrovni aktivity.

Čistenie

Vonkajší povrch utrite handričkou navlhčenou vo vode s jemným čistiacim prostriedkom, nepoužívajte agresívne čistiace prostriedky.

Zvyšné pokyny v tejto časti sú len pre odborníka.

Údržbu smie zabezpečovať len kompetentný personál (odborník alebo vhodne zaškolený technik).

Odporúča sa raz ročne absolvovať nasledujúcu údržbu:

- Skontrolujte dotiahnutie skrutky chodidla

Poučte používateľov, že zdravotníkovi sa musia nahlásiť nasledujúce situácie:

- zmeny v telesnej hmotnosti alebo úrovni aktivity;
- zmeny vo fungovaní pomôcky, napríklad nezvyčajné zvuky alebo vôľu.

Overte si, či používateľ rozumie všetkým častiam návodu na použitie, predovšetkým časti Údržba.

6 Obmedzenie používania

Zamýšľaná životnosť

Na základe aktivity a používania treba posúdiť lokálne riziko.

Zdvíhanie bremien

Hmotnosť a aktivita používateľa sa riadi stanovenými limitmi. Nosenie bremien používateľom by malo vychádzať z posúdenia lokálnych rizík.

Prostredie

Nevystavujte chodidlo Multiflex korozívnym vplyvom ako je voda, kyseliny ani iné kvapaliny. Vyhýbajte sa abrazívnemu prostrediu, napríklad prostrediu s obsahom piesku, mohlo by urýchliť predčasné opotrebovanie.

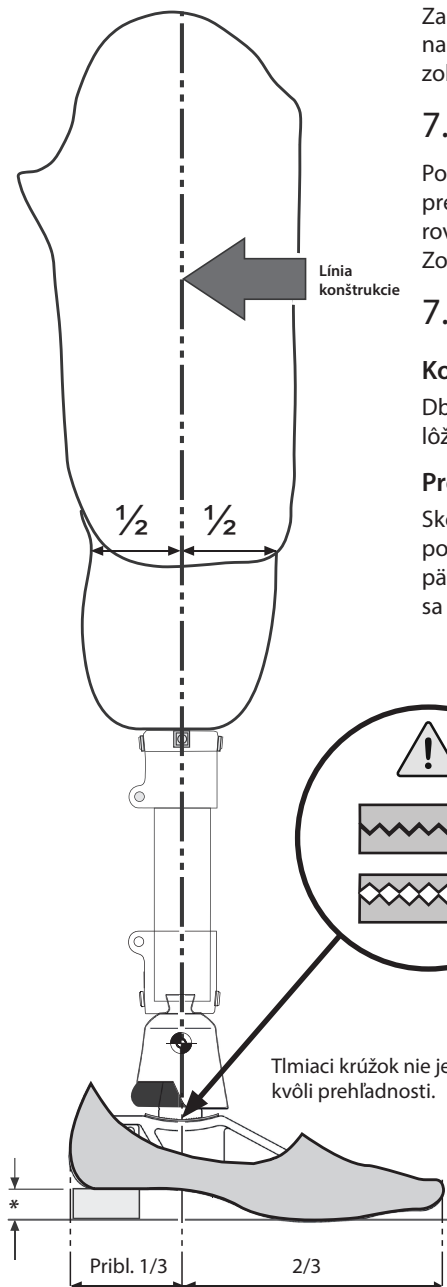
Používajte výhradne pri teplotách od $-10\text{ }^{\circ}\text{C}$ do $50\text{ }^{\circ}\text{C}$.



Možno používať v exteriéri

7 Zarovnanie osadenia

Pokyny v tejto časti sú len pre odborníkov.



Zarovnajzte transformorálne diely podľa návodu na osadenie priloženému ku kolenu a zachovajte zobrazený vzťah línie konštrukcie členka Multiflex.

7.1 Statické zarovnanie

Po nastavení ohybu by mala línia konštrukcie prechádzať cez stred lôžka v predozadnej (A – P) rovine a cez chodidlo Multiflex, ako vidno na obrázku. Zohľadniť je potrebné aj výšku päty topánky.

7.2 Dynamické zarovnanie

Koronálna rovina

Dbajte na to, aby ste nastavením relatívnych polôh lôžka a chodidla dosiahli minimálny M – L ťah.

Predo-zadná rovina

Skontrolujte hladký prechod od dopadu na pätu po odraz prstov. Zároveň dbajte na to, aby boli päta a prsty rovnomerne zaťažené aj v stoji a aby sa dotýkali zeme.

Pred dotiahnutím skrutky chodidla skontrolujte zapadnutie do zúbkov.

Nesprávne zapadnuté zúbky môžu vydávať zvuk a viesť k náhlemu uvoľneniu chodidla. Správne zapadnutie zúbkov overíte uvoľnením skrutky chodidla o 1/8 otočenia. Chodidlo by malo byť voľné, no nemalo by sa otáčať. Potom ho dotiahnite a správny ťahovací moment.

Tlmiaci krúžok nie je zobrazený kvôli prehľadnosti.

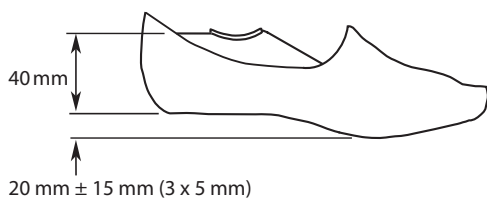
**Zohľadnite obuv používateľa*

8 Technické údaje

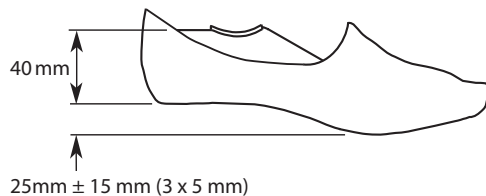
Zaobchádzanie a skladovanie	-15 °C až 50 °C
Teplotný rozsah:	
Hmotnosť dielu (veľkosť 26)::	375 g
Úroveň aktivity	1 – 2
Maximálna hmotnosť používateľa:	
Úroveň aktivity 1 – 2	125 kg
Úroveň aktivity 3 – 4	100 kg
Výška konštrukcie:	40 mm
Nominálna/stredná výška päty:	Multiflex Slim – 25 mm Multiflex Standard – 20 mm
Rozsah nastavenia výšky päty:	± 15 mm (nárast o 3 x 5 mm)

Dĺžka osadenia

Multiflex Standard



Multiflex Slim



9 Informácie pri objednávaní

Multiflex Standard

Veľkosť (cm)	Číslo dielu – ľavý	Číslo dielu – pravý
22	519119	519120
23	519121	519122
24	519123	519124
25	519125	519126
26	519127	519128
27	519129	519130
28	519131	519132
29	519133	519134
30	519135	519136

Multiflex Slim

Veľkosť (cm)	Číslo dielu – ľavý	Číslo dielu – pravý
22	519141	519142
23	519143	519144
24	519145	519146
25	519147	519148

Diel	Číslo dielu
Skrutka chodidla	400022
Konkávna podložka	500021

Ručenie

Výrobca odporúča používať pomôcku výhradne podľa špecifikovaných podmienok a na to, na čo je určená. Pomôcka sa musí udržiavať podľa priloženého návodu na použitie. Výrobca nezodpovedá za nežiaduci výsledok spôsobený kombináciou ním neschválených komponentov.

Súlad s CE

Tento produkt spĺňa požiadavky nariadenia EÚ 2017/745 o zdravotníckych pomôckach. Produkt je klasifikovaný ako produkt triedy I podľa klasifikačných pravidiel v Dodatku VIII nariadenia. Certifikát o vyhlásení o zhode CE je k dispozícii na nasledujúcej internetovej adrese: www.blatchford.co.uk



Zdravotnícka pomôcka



Jeden pacient – viacnásobné použitie

Kompatibilitnosť

Kombinovanie s produktmi značky Blatchford je schválené na základe testovania v súlade s príslušnými normami a MDR vrátane štruktúrálnej skúšky, rozmerovej kompatibility a vlastností v monitorovanej oblasti.

Kombinovanie s alternatívnymi produktmi so značkou CE treba vykonávať s ohľadom na zdokumentované posúdenie lokálnych rizík odborníkom.

Záruka

Na pomôcku sa vzťahuje 24-mesačná záruka.

Používateľ by mal vedieť, že zmeny alebo úpravy bez jeho výhradného súhlasu by mohli ukončiť platnosť záruky, prevádzkových licencií a výnimiek.

Vyššie uvedené závisí od trhu, podrobnosti vám poskytne miestny zástupca.

Celé vyhlásenie o záruke nájdete na webovej stránke spoločnosti Blatchford.

Nahlasovanie závažných incidentov

V nepravdepodobnom prípade závažného incidentu v súvislosti s pomôckou ho treba nahlásiť výrobcovi a kompetentnému štátnemu úradu.

Environmentálne aspekty

V rámci prevencie potenciálneho poškodenia životného prostredia alebo ľudského zdravia nekontrolovanou likvidáciou odpadu ponúka spoločnosť Blatchford službu vrátenia výrobku. Ak chcete vedieť viac, obráťte sa na zákaznícky servis.

Odloženie štítka na balení

Odborníkovi odporúčame odložiť si štítky z balenia ako záznam o dodanej pomôčke.

Potvrdenie o obchodnej známke

Značky Multiflex a Blatchford sú registrované obchodné známky spoločnosti Blatchford Products Limited.

Sídlo výrobcu

Blatchford Products Limited, Lister Road, Basingstoke RG22 4AH, Spojené kráľovstvo.

Tartalom.....	52
1 Leírás és tervezett felhasználás	53
2 Biztonsági információk.....	54
3 Felépítés	55
4 Működés.....	56
5 Karbantartás.....	56
6 A használatot érintő korlátozások.....	57
7 Szintillesztés.....	58
7.1 Statikus illesztés.....	58
7.2 Dinamikus illesztés	58
8 Műszaki adatok	59
9 Rendelési információk.....	60

1 Leírás és tervezett felhasználás

Ez a Használati útmutató az orvos és a felhasználó használatára szolgál, kivéve, ha máshogy jelezzük.

A jelen Használati útmutatóban az eszköz kifejezés a Multiflex lábfejre utal.

Kérjük, olvassa el, és győződjön meg arról, hogy megértette a teljes használati útmutatót, különösen az összes biztonsági információt és karbantartási utasítást.

Alkalmazás

Ez az eszköz kizárólag alsó végtagprotézis részeként alkalmazható.

Egyetlen felhasználónál való használatra szolgál.

Ez a kombináció a stabilitást növelő Multiflex bokával együtt használva többtengelyes mozgást biztosít a felhasználónak. Az alacsony profilú kialakítás és a szandál lábujj természetesebb megjelenést kölcsönöz a lábfejnek.

Aktivitási szint

Ez az eszköz 1. és 2. aktivitási szintű felhasználók számára ajánlott.

Ajánlásainkhoz képest vannak kivételek, és lehetőséget kívánunk adni az egyéni körülményeknek. Lehet néhány olyan felhasználó a 3. és 4.* aktivitási szinten is, akiknek előnyére válhat ez az eszköz, de ezt a döntést józan és alapos indoklással kell meghozni.

*A felhasználó maximális súlya: 100 kg.

1. aktivitási szint

Képesség vagy lehetőség a protézis alkalmazására sík felületeken állandó ütemben való átkelésre vagy járásra. Jellemző a korlátozott vagy nem korlátozott, beltérben mozgó járóbetegre.

2. aktivitási szint

Képesség vagy lehetőség járásra, alacsony magasságú környezeti akadályokon, például útpadkán, lépcsőn vagy egyenetlen felületeken való áthaladásra. Jellemző a korlátozott, közösségben mozgó járóbetegre.

3. aktivitási szint

Képesség vagy lehetőség változó ütemű járásra.

Jellemző a közösségben mozgó járóbetegre, aki képes áthaladni a legtöbb környezeti akadályon, és olyan foglalkozásbeli, terápiás vagy sporttevékenységet űz, amely az egyszerű helyváltoztatáson túl igényli a protézis használatát.

4. aktivitási szint

Képesség vagy lehetőség protézissel végzett olyan járásra, amely túllép az alapvető járási képességeken, erős behatást, nagy terhelést vagy energiaszintet mutat. A gyermekek, az aktív felnőttek vagy a sportolók protetikus igényeire jellemző.

Ellenjavallatok

Előfordulhat, hogy ez az eszköz nem alkalmas versenysportokban való alkalmazásra. Ezeket a felhasználókat jobban szolgálhatja olyan, speciálisan kialakított protézis, amely az ő szükségleteikre van optimalizálva.

Klinikai előnyök

- A testsúly fogadásakor érzett alacsony szintű merevség az egytengelyes lábfejhez és a szilárd bokájú, párnázott sarkú lábfejhez képest a láb korai leérkezéséhez és nagyobb stabilitáshoz vezet az alacsonyabb mobilitású felhasználók számára
- A merev bokákhoz képest nem veszik el a stabilitás a bilaterális felhasználók esetén
- A merev bokákhoz képest a bilaterális felhasználók számára könnyebb az egyenetlen talajon járás
- A merev bokákhoz képest a bilaterális felhasználók számára könnyebb a lejtőn járás
- A merev bokákhoz képest a bilaterális felhasználók számára könnyebb a hosszabb távok megtétele
- A merev bokákhoz képest jobb támaszfázis-időztítési szimmetria.
- A merev bokákhoz képest az egészséges végtag kisebb mértékű terhelése

2 Biztonsági információk



Ez a figyelmeztető szimbólum kiemeli a fontos biztonsági információkat, amelyeket gondosan követni kell.



A végtag teljesítményében vagy működésében jelentkező bármilyen változást, például korlátozott vagy túl nagy mozgást, nem sima mozgást vagy szokatlan zajt haladéktalanul jelteni kell a szolgáltatónak.



Lépcsőn lefelé menet és bármikor, amikor rendelkezésre áll, használjon korlátot.



Az eszköz nem alkalmas extrém sportokra, futásra vagy kerékpárversenyre, jégen és havon végzett sportokra, extrém lejtőkre és lépcsőkre. Bármilyen hasonló tevékenységet teljes mértékben a felhasználó saját kockázatára végez. A rekreációs kerékpározás elfogadható.



Az eszköz összeszerelését, karbantartását és javítását kizárólag orvos vagy megfelelően képzett technikus végezheti.



A felhasználó forduljon az orvoshoz, ha állapota változik.



Ügyeljen arra, hogy vezetéskor csak megfelelően átalakított járművet használjon. Gépjárművek működtetése során minden személynek be kell tartania a vonatkozó vezetési jogszabályokat.



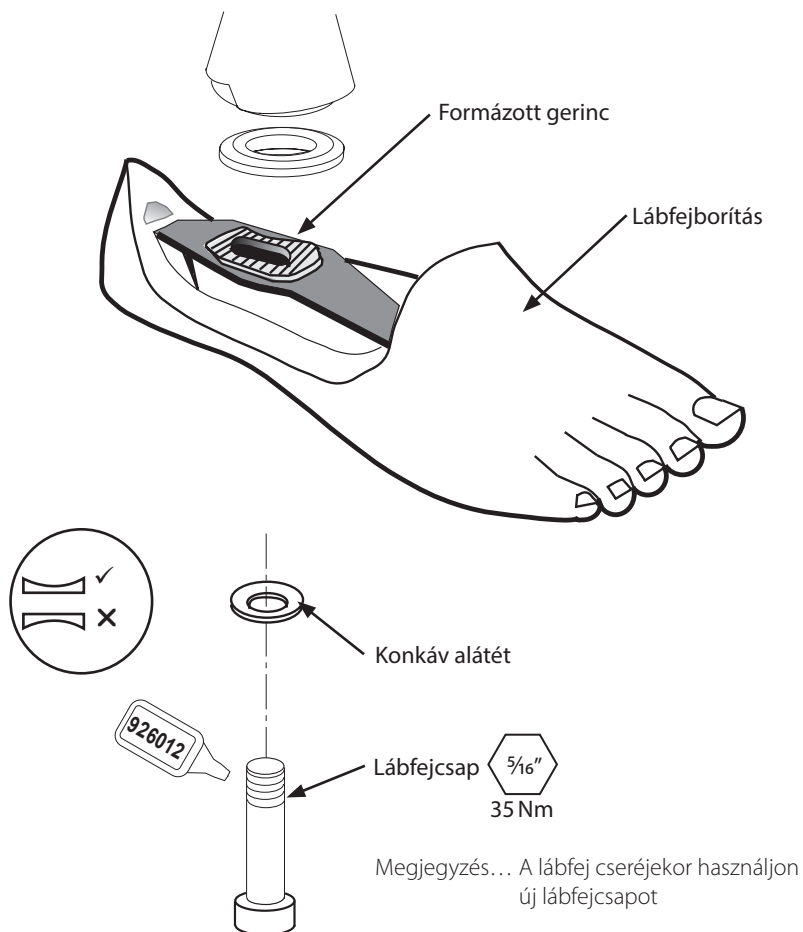
A megcsúszás és megbotlás kockázatának minimálisra csökkentése érdekében mindig megfelelő lábbelit kell viselni, amely biztonságosan illeszkedik a lábfejbőrítésre.

3 Felépítés

Fő alkatrészek

- Lábfejborítás - poliuretán
- Formázott gerinc - szálerősített, hőre lágyuló műanyag/alumíniumötvözet
- Lábfejcsap - rozsdamentes acél
- Konkáv alátét - rozsdamentes acél

Az alkatrészek azonosítása



4 Működés

Az eszköz rugalmasan ellenálló, többtengelyes Multiflex bokával kombinálva sima, stabil járást biztosít, és bizonyos mértékben alkalmazkodik az egyenetlen felületekhez. Az eszköz könnyű, szálerősített, hőre lágyuló műanyag gerincből áll, amely finom gördülő mozgást nyújt a támasz során. A természetesebb megjelenés érdekében szandál lábujjal van ellátva. Ideális az alacsonyabb aktivitási szintű felhasználóknak.

A boka fogazott érintkező felületén keresztül különböző sarokmagasságok alkalmazhatók. A Multiflex Slim további sarokmagasságot tesz lehetővé.

5 Karbantartás

Szemrevételezéssel rendszeresen ellenőrizze az eszközt.

Az eszköz teljesítményének minden változását, például a szokatlan zajokat, a fokozott merevséget, a korlátozott/túlzott mozgást, a jelentős kopást vagy az UV sugárzásnak való hosszú távú expozíció miatti túlzott elszíneződést jelentse az orvosnak/szolgáltatóknak.

Tájékoztassa az orvost/szolgáltatót testsúlya és/vagy aktivitási szintje bármilyen változásáról.

Tisztítás

Nedves ruhával és enyhe szappanos vízzel tisztítsa meg a külső felületeket. Ne használjon agresszív tisztítószeret.

A további utasítások ebben a szakaszban kizárólag az orvos használatára szolgálnak.

A karbantartást kizárólag hozzáértő személy végezheti (orvos vagy megfelelően képzett technikus).

A következő karbantartást javasolt évente elvégezni:

- Ellenőrizze a lábfejcsap szorosságát

Tájékoztassa a felhasználót arról, hogy közölje orvosával a következőket:

- A testsúly vagy az aktivitási szint változása
- Az eszköz teljesítményének megváltozása, például szokatlan zajok vagy holtjáték

Győződjön meg arról, hogy a felhasználó megértette valamennyi használati utasítást. Különösen hívja fel a figyelmét a Karbantartás szakaszra.

6 A használatot érintő korlátozások

A tervezett élet

Helyi kockázatértékelést kell elvégezni az aktivitás és a felhasználás alapján.

Súlyok emelése

A felhasználó súlyát és aktivitását a megállapított határértékek szabályozzák. A felhasználó által vitt súlyt a helyi kockázatértékelés alapján kell meghatározni.

Környezet

Ne tegye ki a Multiflex lábfejet korrozív anyagoknak, például víznek, savaknak vagy más folyadékoknak. Kerülje a dörzshatású – például homokos – környezetet, mivel ez elősegítheti az idő előtti kopást.

Kizárólag -10 °C és 50 °C közötti használatra.



Szabadtéri használatra alkalmas

7 Szintillesztés

Az ebben a szakaszban található utasítások kizárólag az orvos használatára szolgálnak.

A transzfemorális eszközöket a térdhez mellékelt illesztési utasítások szerint igazítsa, a beépítési vonalat a Multiflex lábfejhez képest az ábrán látható módon tartva.

7.1 Statikus illesztés

Beállított flexió mellett a beépítési vonalnak a szagittális (A–P) síkban a tok közepén, illetve a Multiflex lábfejen kell áthaladnia, ahogy az ábrán látható. A lábbeli sarokmagasságához kell beállítani.

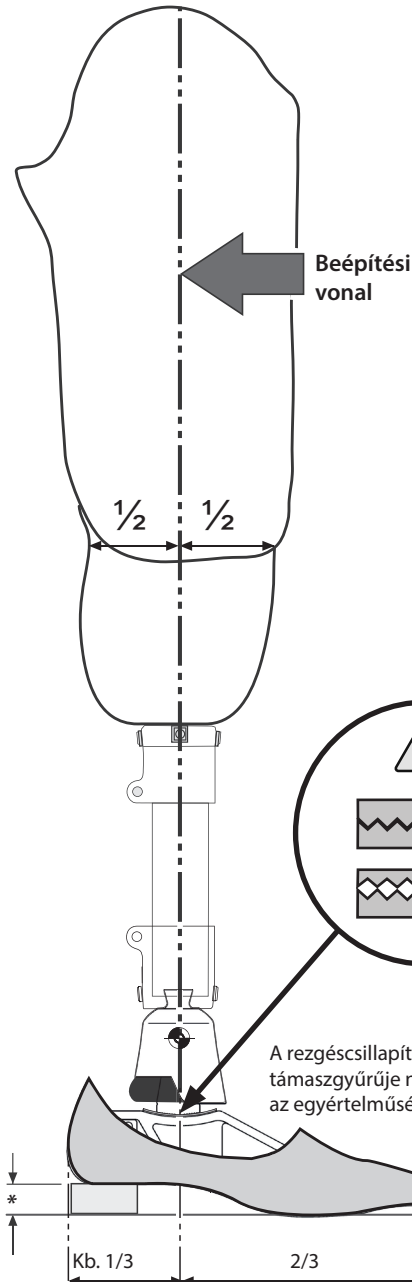
7.2 Dinamikus illesztés

Koronális sík

A tok és a lábfej relatív pozíciójának állításával győződjön meg arról, hogy az M–L eltolás minimális.

Szagittális sík

Ellenőrizze a sima átmenetet a sarok talajra érkezésétől a lábujj felemeléséig. Győződjön meg arról is, hogy álláskor a sarok és a lábujjak egyenlő terhelést kapnak, és mindegyik éri a talajt.



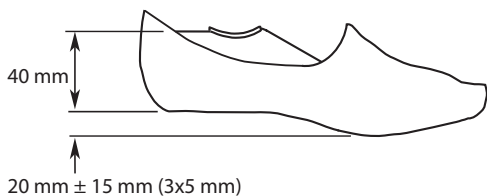
* Vegye figyelembe a felhasználó lábbelijét

8 Műszaki adatok

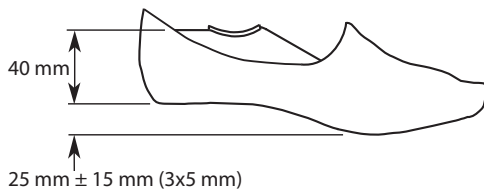
Üzemi és tárolási hőmérséklet-tartomány:	-15 °C–50 °C
Az alkatrész súlya (26-os méret):	375 g
Aktivítási szint:	1–2.
A felhasználó maximális súlya:	
1–2. aktivitási szint	125 kg
3–4. aktivitási szint	100 kg
A szerkezet magassága:	40 mm
Névleges/középtartomány sarokmagasság:	Multiflex Slim – 25 mm Multiflex Standard – 20 mm
A sarokmagasság beállításának tartománya:	± 15 mm (3x5 mm-es lépések)

Illesztési magasság

Multiflex Standard



Multiflex Slim



9 Rendelési információk

Multiflex Standard

Méret (cm)	Alkatrészszám – bal	Alkatrészszám – jobb
22	519119	519120
23	519121	519122
24	519123	519124
25	519125	519126
26	519127	519128
27	519129	519130
28	519131	519132
29	519133	519134
30	519135	519136

Multiflex Slim

Méret (cm)	Alkatrészszám – bal	Alkatrészszám – jobb
22	519141	519142
23	519143	519144
24	519145	519146
25	519147	519148

Alkatrész	Alkatrészszám
Lábfejsap	400022
Konkáv alátét	500021

Felelősség

A gyártó azt javasolja, hogy az eszközt csak a megadott körülmények között és a tervezett célokra használják. Az eszköz karbantartását az ahhoz mellékelt használati útmutató szerint kell végezni. A gyártó nem felel semmilyen olyan nemkívánatos kimenetelért, amelyet általa jóvá nem hagyott alkatrész-kombináció okoz.

CE-megfelelőség

Ez a termék megfelel az orvostechnikai eszközökre vonatkozó 2017/745 európai uniós rendelet követelményeinek. Ezt a terméket 1. osztályú terméként sorolták be a rendelet VIII. mellékletében meghatározott osztályozási szabályok szerint. Az európai uniós megfelelőségi nyilatkozat a következő internetes oldalon érhető el: www.blatchford.co.uk



Orvostechnikai eszköz



Egy beteg – többszöri felhasználás

Összeférhetőség

A Blatchford márkájú termékekkel való összeállítás a vonatkozó szabványok és az orvostechnikai eszközökre vonatkozó rendelet (MDR) szerint végzett tesztelés alapján engedélyezett, ideértve a szerkezeti vizsgálatot, a méretek összeférhetőségét és az ellenőrzött helyszíni teljesítményt.

Más, CE-jelzéssel ellátott termékekkel való összeállítást orvos által végzett, dokumentált helyi kockázatértékelésre figyelemmel kell elvégezni.

Jótállás

Az eszközre 24 hónapos jótállás vonatkozik.

A felhasználónak tisztában kell lennie azzal, hogy a kifejezetten jóvá nem hagyott változtatások vagy módosítások érvényteleníthetik a jótállást, a működési engedélyeket és mentességeket.

A fentiek piaconként változhatnak. A részletekkel kapcsolatban forduljon a helyi képviselőhöz.

A teljes jótállási nyilatkozatot lásd a Blatchford weboldalán.

A súlyos incidensek jelentése

Abban a valószínűtlen esetben, ha súlyos incidens történne az eszközzel kapcsolatban, azt jelenteni kell a gyártónak és az illetékes nemzeti hatóságnak.

Környezetvédelmi szempontok

Az ellenőrizetlen hulladéklerakásból eredően a környezetet vagy az emberi egészséget érő esetleges károk megelőzése érdekében a Blatchford visszavételi szolgáltatást nyújt.

A részletekkel kapcsolatban forduljon az ügyfélszolgálathoz.

A csomagolás címkéjének megőrzése

Javasoljuk, hogy az orvos őrizze meg a csomagolás címkéjét a biztosított eszköz dokumentálásaként.

Védjegyre vonatkozó elismervények

A Multiflex és a Blatchford a Blatchford Products Limited bejegyzett védjegye.

A gyártó székhelye

Blatchford Products Limited, Lister Road, Basingstoke RG22 4AH, Egyesült Királyság

Περιεχόμενα.....	62
1 Περιγραφή και σκοπός για τον οποίο προορίζεται	63
2 Πληροφορίες για την ασφάλεια	64
3 Κατασκευή.....	65
4 Λειτουργία	66
5 Συντήρηση.....	66
6 Περιορισμοί για τη χρήση.....	67
7 Εργαστηριακή ευθυγράμμιση	68
7.1 Στατική ευθυγράμμιση.....	68
7.2 Δυναμική ευθυγράμμιση.....	68
8 Τεχνικά στοιχεία.....	69
9 Πληροφορίες παραγγελίας.....	70

1 Περιγραφή και σκοπός για τον οποίο προορίζεται

Αυτές οι οδηγίες χρήσης προορίζονται για χρήση από τον ιατρό και τον χρήστη, εκτός αν αναφέρεται κάτι διαφορετικό.

Ο όρος *συσσκευή* όπως χρησιμοποιείται σε αυτές τις οδηγίες χρήσης αναφέρεται στα πέλματα Multiflex.

Διαβάστε και βεβαιωθείτε ότι κατανοήσατε όλες τις οδηγίες χρήσης, ιδιαίτερα όλες τις πληροφορίες για την ασφάλεια και τις οδηγίες συντήρησης.

Εφαρμογή

Η συσκευή αυτή πρέπει να χρησιμοποιείται αποκλειστικά ως μέρος μιας πρόθεσης κάτω άκρου.

Προορίζεται για έναν μόνο χρήστη.

Αυτός ο συνδυασμός παρέχει στον χρήστη πολυαξονική κίνηση όταν χρησιμοποιείται σε συνδυασμό με έναν αστράγαλο multiflex, βελτιώνοντας έτσι τη σταθερότητα. Ο χαμηλού προφίλ σχεδιασμός με δάκτυλα σανδαλιού δίνει στο πέλμα πιο φυσική εμφάνιση.

Επίπεδο σωματικής δραστηριότητας

Αυτή η συσκευή συνιστάται για χρήστες με επίπεδο σωματικής δραστηριότητας 1–2.

Υπάρχουν εξαιρέσεις στη σύστασή μας και θέλουμε να υπάρχει πρόβλεψη για ατομικές περιστάσεις. Ενδέχεται να υπάρχουν ορισμένοι χρήστες στα επίπεδα σωματικής δραστηριότητας 3–4* που θα μπορούσε να επωφεληθούν από αυτό το προϊόν, αλλά η απόφαση αυτή θα πρέπει να λαμβάνεται με βάσιμη και διεξοδική αιτιολόγηση.

*Μέγιστο βάρος χρήστη: 100 kg.

Επίπεδο σωματικής δραστηριότητας 1

Ο χρήστης έχει την ικανότητα ή τη δυνατότητα να χρησιμοποιεί πρόθεση για μετακινήσεις ή βάδιση σε επίπεδες επιφάνειες, με σταθερό ρυθμό. Αυτό είναι χαρακτηριστικό του περιορισμένου και μη περιορισμένου περιπατητή μέσα στο σπίτι.

Επίπεδο σωματικής δραστηριότητας 2

Ο χρήστης έχει την ικανότητα ή τη δυνατότητα για βάδιση και μπορεί να διαβαίνει περιβαλλοντικά εμπόδια χαμηλού επιπέδου, όπως σκαλιά ή ανώμαλες επιφάνειες. Αυτό είναι χαρακτηριστικό του περιορισμένου περιπατητή που βγαίνει στην κοινωνία.

Επίπεδο σωματικής δραστηριότητας 3

Ο ασθενής έχει την ικανότητα ή τη δυνατότητα για βάδιση με μεταβλητό ρυθμό.

Αυτό είναι χαρακτηριστικό του περιπατητή που βγαίνει στην κοινωνία, ο οποίος έχει την ικανότητα να διαβαίνει τα περισσότερα περιβαλλοντικά εμπόδια και μπορεί να διεξάγει επαγγελματική, θεραπευτική ή αθλητική δραστηριότητα που απαιτεί προσθετική χρήση πέρα από την απλή μετακίνηση.

Επίπεδο σωματικής δραστηριότητας 4

Ο ασθενής έχει την ικανότητα ή τη δυνατότητα για προσθετική βάδιση που υπερβαίνει τη βασική ικανότητα βάδισης, επιδεικνύοντας υψηλά επίπεδα πρόσκρουσης, καταπόνησης ή ενέργειας. Αυτό είναι χαρακτηριστικό των προσθετικών απαιτήσεων ενός παιδιού, δραστήριου ενήλικα ή αθλητή.

Αντενδείξεις

Η συσκευή αυτή ίσως να μην είναι κατάλληλη για χρήση σε ανταγωνιστικές αθλητικές διοργανώσεις. Αυτοί οι τύποι χρηστών ίσως θα μπορούσαν να εξυπηρετηθούν καλύτερα από μια ειδικά σχεδιασμένη πρόθεση βελτιστοποιημένη για τις ανάγκες τους.

Κλινικά οφέλη

- Η χαμηλή δυσκαμψία κατά την αποδοχή βάρους οδηγεί σε ενωρίτερη πλήρη επαφή του πέλματος με το έδαφος και μεγαλύτερη σταθερότητα για χρήστες με χαμηλότερη κινητικότητα, σε σύγκριση με πέλματα ενός άξονα και πέλματα συμπαγούς αστραγάλου με μαξιλαράκι πτέρνας
- Καμία απώλεια σταθερότητας για χρήστες με αμφίπλευρη χρήση πρόθεσης, σε σύγκριση με άκαμπτους αστραγάλους
- Ευκολότερη βάδιση σε ανώμαλο έδαφος για χρήστες με αμφίπλευρη χρήση πρόθεσης, σε σύγκριση με άκαμπτους αστραγάλους
- Ευκολότερη βάδιση σε κεκλιμένες επιφάνειες για χρήστες με αμφίπλευρη χρήση πρόθεσης, σε σύγκριση με άκαμπτους αστραγάλους
- Ευκολότερη βάδιση σε μεγαλύτερες αποστάσεις για χρήστες με αμφίπλευρη χρήση πρόθεσης, σε σύγκριση με άκαμπτους αστραγάλους
- Βελτιωμένη συμμετρία για τον χρονισμό της φάσης στήριξης, σε σύγκριση με άκαμπτους αστραγάλους
- Μειωμένη φόρτιση του υγιούς άκρου, σε σύγκριση με άκαμπτους αστραγάλους

2 Πληροφορίες για την ασφάλεια



Αυτό το προειδοποιητικό σύμβολο επισημαίνει σημαντικές πληροφορίες για την ασφάλεια, οι οποίες πρέπει να ακολουθούνται προσεκτικά.



Τυχόν αλλαγές στην απόδοση ή τη λειτουργία του άκρου, π.χ. περιορισμένη κίνηση, υπερβολική κίνηση, ανώμαλη κίνηση ή ασυνήθιστοι θόρυβοι, θα πρέπει να αναφέρονται αμέσως στον πάροχο υπηρεσιών σας.



Χρησιμοποιείτε πάντα χειρολισθήρα όταν κατεβαίνετε σκάλες και οποιαδήποτε άλλη στιγμή, εφόσον είναι διαθέσιμος.



Η συσκευή δεν είναι κατάλληλη για ακραία αθλήματα, αγώνες δρόμου ή ποδηλάτου, αθλήματα στον πάγο και το χιόνι, μεγάλες κλίσεις και ψηλά σκαλιά. Η συμμετοχή σε τέτοιες δραστηριότητες γίνεται αποκλειστικά με ανάληψη του κινδύνου από τους χρήστες. Η ποδηλασία αναψυχής είναι αποδεκτή.



Η συναρμολόγηση, η συντήρηση και η επισκευή της συσκευής πρέπει να διενεργούνται μόνο από ιατρό ή κατάλληλα καταρτισμένο τεχνικό.



Ο χρήστης θα πρέπει να επικοινωνήσει με τον ιατρό του σε περίπτωση αλλαγής της κατάστασής του.



Βεβαιωθείτε ότι χρησιμοποιούνται μόνο οχήματα με κατάλληλες μετατροπές κατά την οδήγηση. Όλα τα άτομα υποχρεούνται να τηρούν τους αντίστοιχους νόμους οδικής κυκλοφορίας όταν χειρίζονται μηχανοκίνητα οχήματα.



Για να ελαχιστοποιηθεί ο κίνδυνος ολίσθησης και παραπατήματος, πρέπει ανά πάσα στιγμή να χρησιμοποιούνται κατάλληλα υποδήματα που προσαρμόζονται με ασφάλεια στο κέλυφος του πέλματος.

3 Κατασκευή

Κύρια μέρη

- Κέλυφος πέλματος - Πολυουρεθάνη
- Διαμορφωμένη τρόπιδα - Ενισχυμένο με ίνες θερμοπλαστικό/κράμα αλουμινίου
- Κοχλίας πέλματος - Ανοξειδωτος χάλυβας
- Κοίλη ροδέλα - Ανοξειδωτος χάλυβας

Αναγνώριση εξαρτημάτων



4 Λειτουργία

Η συσκευή συνδυάζεται με έναν ελαστικό πολυαξονικό αστράγαλο Multiflex για να παρέχει ομαλή, σταθερή βάρδιση και να επιτρέψει κάποιο βαθμό συμμόρφωσης σε ανώμαλες επιφάνειες. Η συσκευή αποτελείται από μια ελαφριά, ενισχυμένη με ίνες θερμοπλαστική τρόπιδα που παρέχει ήπια δράση ρευστής κίνησης κατά τη διάρκεια της στήριξης και διαθέτει δάκτυλα σανδαλιού για πιο φυσική εμφάνιση—είναι ιδανική για χρήστες με χαμηλό επίπεδο σωματικής δραστηριότητας.

Μπορεί να χρησιμοποιηθεί μια σειρά από ύψη πτέρνας χάρη στην οδοντωτή διεπαφή αστραγάλου. Το Multiflex Slim διαθέτει δυνατότητα επιπλέον ύψους πτέρνας, για τακούνια μεγαλύτερου ύψους.

5 Συντήρηση

Ελέγχετε οπτικά τη συσκευή σε τακτά χρονικά διαστήματα.

Αναφέρετε οποιοσδήποτε αλλαγές στην απόδοση αυτής της συσκευής στον ιατρό/τον πάροχο υπηρεσιών, π.χ. ασυνήθιστους θορύβους, αυξημένη ακαμψία, περιορισμένη/υπερβολική κίνηση, σημαντική φθορά ή υπερβολικό αποχρωματισμό από μακροχρόνια έκθεση σε υπεριώδη ακτινοβολία.

Ενημερώστε τον ιατρό/τον πάροχο υπηρεσιών για τυχόν αλλαγές στο σωματικό βάρος ή/και το επίπεδο σωματικής δραστηριότητας.

Καθαρισμός

Χρησιμοποιήστε υγρό πανί και ήπιο σαπούνι για να καθαρίσετε τις εξωτερικές επιφάνειες και μη χρησιμοποιείτε επιθετικά καθαριστικά.

Οι υπόλοιπες οδηγίες της ενότητας αυτής προορίζονται μόνο για χρήση από ιατρούς.

Η συντήρηση αυτή πρέπει να εκτελείται μόνο από αρμόδιο προσωπικό (ιατρό ή κατάλληλο εκπαιδευμένο τεχνικό).

Συνιστάται να εκτελείτε την ακόλουθη συντήρηση σε ετήσια βάση:

- Ελέγξτε αν είναι καλά σφιγμένος ο κοχλίας του πέλματος

Συμβουλευτέ τους χρήστες να αναφέρουν τα ακόλουθα στον ιατρό τους:

- Αλλαγές στο σωματικό βάρος ή το επίπεδο σωματικής δραστηριότητας
- Αλλαγές στην απόδοση της συσκευής όπως για παράδειγμα ασυνήθιστους θορύβους ή τζόγο

Βεβαιωθείτε ότι ο χρήστης έχει κατανοήσει όλες τις οδηγίες χρήσης, εφιστώντας ιδιαίτερα την προσοχή στην ενότητα Συντήρηση.

6 Περιορισμοί για τη χρήση

Προβλεπόμενη διάρκεια ζωής

Θα πρέπει να διεξαχθεί επιτόπια αξιολόγηση κινδύνου βάσει της δραστηριότητας και της χρήσης.

Άρση φορτίου

Το βάρος και η δραστηριότητα του χρήστη εξαρτώνται από τα αναφερόμενα όρια. Η μεταφορά φορτίου από τον χρήστη θα πρέπει να βασίζεται σε επιτόπια αξιολόγηση κινδύνου.

Περιβάλλον

Αποφύγετε την έκθεση του πέλματος Multiflex σε διαβρωτικά στοιχεία όπως νερό, οξέα και άλλα υγρά. Αποφύγετε διαβρωτικά περιβάλλοντα, όπως αυτά που περιέχουν άμμο, καθώς αυτά μπορεί να προκαλέσουν την πρόωρη φθορά.

Αποκλειστικά για χρήση σε θερμοκρασία μεταξύ -10 °C και 50 °C.



Κατάλληλο για εξωτερική χρήση

7 Εργαστηριακή ευθυγράμμιση

Οι οδηγίες της ενότητας αυτής προορίζονται μόνο για χρήση από ιατρούς.

Ευθυγραμμίστε τις διαμηριαίες συσκευές σύμφωνα με τις οδηγίες προσαρμογής που συνοδεύουν το γόνατο, διατηρώντας τη γραμμή φόρτισης σε σχέση με τον αστράγαλο Multiflex, όπως απεικονίζεται.

7.1 Στατική ευθυγράμμιση

Λαμβάνοντας υπόψη την κάμψη, η γραμμή φόρτισης θα πρέπει να διέρχεται από το κέντρο της θήκης στο οβελιαίο επίπεδο (Π/Ο) και μέσω του πέλματος στο Multiflex, όπως απεικονίζεται. Θα πρέπει να υπάρχει χώρος για το ύψος του τακουνιού του υποδήματος.

7.2 Δυναμική ευθυγράμμιση

Στεφανιαίο επίπεδο

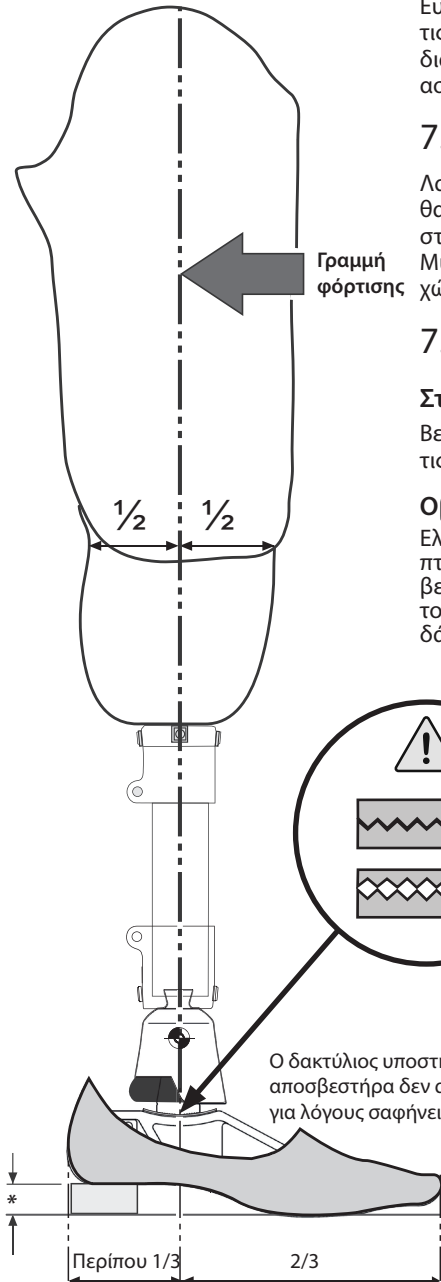
Βεβαιωθείτε ότι η Μ/Π ώση είναι ελάχιστη, ρυθμίζοντας τις σχετικές θέσεις της θήκης και του πέλματος.

Οβελιαίο επίπεδο

Ελέγξτε για ομαλή μετάβαση από την κρούση της πτέρνας στην απομάκρυνση των δακτύλων. Επίσης, βεβαιωθείτε ότι κατά τη στάση σε όρθια θέση, το φορτίο κατανέμεται ομοιόμορφα στην πτέρνα και τα δάχτυλα και ότι και τα δύο αγγίζουν το δάπεδο.

Βεβαιωθείτε ότι οι οδοντώσεις έχουν εμπλακεί πριν σφίξετε τον κοχλία του πέλματος. Η λανθασμένη εμπλοκή οδοντώσεων μπορεί να οδηγήσει σε θόρυβο, με αποτέλεσμα ξαφνική χαλάρωση του πέλματος. Επιβεβαιώστε τη σωστή εμπλοκή των οδοντώσεων χαλαρώνοντας τον κοχλία πέλματος κατά 1/8 της στροφής. Το πέλμα πρέπει να είναι χαλαρό αλλά όχι να περιστρέφεται.

Ο δακτύλιος υποστήριξης του αποσβεστήρα δεν απεικονίζεται για λόγους σαφήνειας

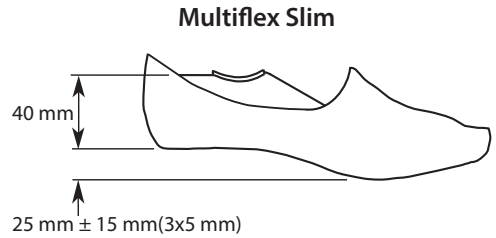
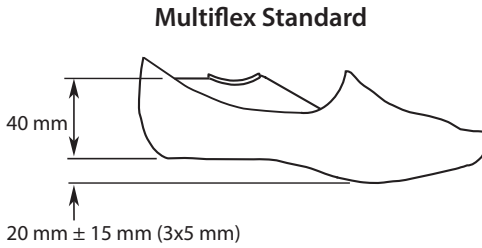


* Αφήστε χώρο για το υπόδημα του χρήστη

8 Τεχνικά στοιχεία

Χειρισμός και φύλαξη	-15 °C έως 50 °C
Εύρος θερμοκρασιών:	
Βάρος εξαρτημάτων (μέγεθος 26):	375 g
Επίπεδο σωματικής δραστηριότητας:	1–2
Μέγιστο βάρος χρήστη:	
Επίπεδα σωματικής δραστηριότητας 1-2	125 kg
Επίπεδα σωματικής δραστηριότητας 3-4	100 kg
Ύψος κατασκευής:	40 mm
Ονομαστικό/Μεσαίου εύρους ύψος πτέρνας:	Multiflex Slim — 25 mm Multiflex Standard — 20 mm
Εύρος τιμών ρύθμισης ύψους πτέρνας:	± 15 mm (3 βήματα των 5 mm)

Μήκος προσαρμογής



9 Πληροφορίες παραγγελίας

Multiflex Standard

Μέγεθος (cm)	Αριθμός εξαρτήματος — αριστερά	Αριθμός εξαρτήματος — δεξιά
22	519119	519120
23	519121	519122
24	519123	519124
25	519125	519126
26	519127	519128
27	519129	519130
28	519131	519132
29	519133	519134
30	519135	519136

Multiflex Slim

Μέγεθος (cm)	Αριθμός εξαρτήματος — αριστερά	Αριθμός εξαρτήματος — δεξιά
22	519141	519142
23	519143	519144
24	519145	519146
25	519147	519148

Εξάρτημα	Αριθμός εξαρτήματος
Κοιλίας πέλματος	400022
Κοίλη ροδέλα	500021

Ευθύνη

Ο κατασκευαστής συνιστά τη χρήση της συσκευής μόνο υπό τις καθορισμένες συνθήκες και για τους προβλεπόμενους σκοπούς. Η συσκευή πρέπει να συντηρείται σύμφωνα με τις οδηγίες χρήσης που συνοδεύουν τη συσκευή. Ο κατασκευαστής δεν φέρει ευθύνη για οποιοδήποτε δυσμενές αποτέλεσμα προκληθεί από συνδυασμούς εξαρτημάτων που δεν έχουν εγκριθεί από αυτόν.

Πιστότητα CE

Το προϊόν αυτό ικανοποιεί τις απαιτήσεις του Ευρωπαϊκού Κανονισμού (ΕΕ) 2017/745 περί ιατροτεχνολογικών προϊόντων. Το προϊόν αυτό έχει ταξινομηθεί ως ιατροτεχνολογικό προϊόν κατηγορίας Ι σύμφωνα με τους κανόνες ταξινόμησης που περιγράφονται στο παράρτημα VIII του κανονισμού. Η δήλωση πιστότητας ΕΕ διατίθεται στην ακόλουθη διεύθυνση στο Internet: www.blatchford.co.uk



Ιατροτεχνολογικό προϊόν



Πολλαπλή χρήση – σε έναν μόνο ασθενή

Συμβατότητα

Ο συνδυασμός με προϊόντα επωνυμίας Blatchford εγκρίνεται βάσει δοκιμών σύμφωνα με τα σχετικά πρότυπα και την οδηγία περί των ιατροτεχνολογικών προϊόντων, συμπεριλαμβανομένων δομικών δοκιμών, συμβατότητας διαστάσεων και παρακολουθούμενης απόδοσης πεδίου.

Ο συνδυασμός με εναλλακτικά προϊόντα με σήμανση CE πρέπει να πραγματοποιείται βάσει τεκμηριωμένης επιτόπιας αξιολόγησης κινδύνου που έχει διεξαχθεί από ιατρό.

Εγγύηση

Η συσκευή αυτή καλύπτεται από εγγύηση 24 μηνών.

Ο χρήστης πρέπει να ενημερώνεται ότι οι αλλαγές ή οι τροποποιήσεις που δεν έχουν εγκριθεί ρητά ενδέχεται να ακυρώσουν την εγγύηση, τις άδειες λειτουργίας και τις εξαιρέσεις.

Τα παραπάνω ενδέχεται να διαφέρουν ανάλογα με την αγορά. Για λεπτομέρειες, απευθυνθείτε στον τοπικό αντιπρόσωπο.

Ανατρέξτε στον ιστότοπο της Blatchford για την τρέχουσα πλήρη δήλωση εγγύησης.

Αναφορά σοβαρών περιστατικών

Στην απίθανη περίπτωση που προκύψει κάποιο σοβαρό περιστατικό σε σχέση με τη συσκευή αυτή, αυτό θα πρέπει να αναφερθεί στον κατασκευαστή και τις αρμόδιες εθνικές αρχές.

Θέματα περιβάλλοντος

Για να συμβάλει στην πρόληψη πιθανών βλαβών στο περιβάλλον ή την ανθρώπινη υγεία λόγω της ανεξέλεγκτης απόρριψης αποβλήτων, η Blatchford προσφέρει μια υπηρεσία ανάκτησης. Επικοινωνήστε με το τμήμα εξυπηρέτησης πελατών για λεπτομέρειες.

Διατήρηση της ετικέτας συσκευασίας

Συνιστάται στον ιατρόνα διατηρεί την ετικέτα της συσκευασίας ως αρχείο της παρεχόμενης συσκευής.

Αναγνωρίσεις εμπορικών σημάτων

Οι ονομασίες Multiflex και Blatchford είναι σήματα κατατεθέντα της Blatchford Products Limited.

Καταχωρημένη διεύθυνση κατασκευαστή

Blatchford Products Limited, Lister Road, Basingstoke RG22 4AH, Ηνωμένο Βασίλειο.

Saturs.....	72
1 Apraksts un paredzētais mērķis	73
2 Drošības informācija	74
3 Uzbūve	75
4 Funkcija.....	76
5 Apkope.....	76
6 Lietošanas ierobežojumi.....	77
7 Stenda salāgošana	78
7.1 Statiskā salāgošana	78
7.2 Dinamiskā salāgošana	78
8 Tehniskie dati	79
9 Pasūtīšanas informācija.....	80

1 Apraksts un paredzētais mērķis

Šī lietošanas pamācība ir paredzēta speciālistam un lietotājam, ja vien nav norādīts citādi.

Termins *ierīce* šajā lietošanas pamācībā tiek lietots, lai apzīmētu Multiflex pēdas.

Lūdzu, izlasiet un pārliecinieties, ka izprotat visu lietošanas pamācību — it īpaši visu informāciju par drošību un apkopes norādījumus.

Pielietojums

Šī ierīce ir jālieto tikai kā apakšējo ekstremitāšu protēzes daļa.

Paredzēta vienam lietotājam.

Šī kombinācija nodrošina lietotājam kustības vairākās asīs, ja to lieto kopā ar vairāku asu kustību potīti, kas palielina stabilitāti. Zema profila dizains ar sandales pirkstu piešķir pēdai dabiskāku izskatu.

Aktivitātes līmenis

Ierīci ieteicams izmantot lietotājiem ar 1.–2. aktivitātes līmeni.

Pastāv izņēmumi, un savā ieteikumā vēlamies pieļaut individuālus apstākļus. Var būt arī lietotāji ar 3.–4.* aktivitātes līmeni, kas varētu gūt labumu no šīs ierīces lietošanas, bet šāds lēmums ir jāpieņem, ja ir skaidrs un pārdomāts pamatojums.

*Maks. lietotāja ķermeņa masa: 100 kg.

1. aktivitātes līmenis

Spēj vai ir potenciāls izmantot protēzi, lai pārvietotos ar palīdzību vai staigātu pa līdzenu virsmu fiksētā tempā. Tipiski personai, kura spēj staigāt mājās ar vai bez ierobežojumiem.

2. aktivitātes līmenis

Spēja vai potenciāls staigāt ar palīglīdzekli ar spēju šķērsot nelielas vides barjeras, piemēram, ietves malas, kāpnes vai nelīdzenas virsmas. Tipiski cilvēkam, kas pārvietojas ar ierobežojumiem ārpus mājām.

3. aktivitātes līmenis

Spēja vai potenciāls pārvietoties ar mainīgu tempu.

Tipiski cilvēkam, kurš var neatkarīgi pārvietoties ārpus mājas, šķērsojot lielāko daļu vides barjeru, un kuram var būt profesionālā, terapeitiskā vai fiziskā aktivitāte, kam nepieciešama protēzes izmantošana, kas pārsniedz parastu pārvietošanos.

4. aktivitātes līmenis

Spēja vai potenciāls staigāt, kas pārsniedz parastās pārvietošanās ar protēzi prasmes, pieļaujot augstu triecienu, stresa vai enerģijas pakāpi. Tipiski bērnu, aktīvu pieaugušo vai sportistu protezēšanas vajadzībām.

Kontrindikācijas

Šī ierīce var nebūt piemērota lietotājiem izmantošanai sporta sacensībās. Šādiem lietotājiem iespējams vairāk piemērota būs viņu vajadzībām optimizēta, speciāli izstrādāta protēze.

Kliniskie ieguvumi

- Mazs stingrums reakcijā uz ķermeņa masu ļauj ātri nostāties uz pilnas pēdas un nodrošina labāku stabilitāti mazāk kustīgiem lietotājiem, salīdzinot ar pēdām, kurām ir viena ass un pēdām ar cietu potīti un amortizētu papēdi.
- Salīdzinot ar stingrajām potītēm, abu kāju protēžu lietotāji nezaudē stabilitāti.
- Turklāt, salīdzinot ar stingrajām potītēm, lietotājiem ar abu kāju protēzēm ir vieglāk staigāt pa nelīdzenām virsmām.
- Salīdzinot ar stingrajām potītēm, lietotājiem ar abu kāju protēzēm ir vieglāk staigāt pa slīpām virsmām.
- Salīdzinot ar stingrajām potītēm, lietotājiem ar abu kāju protēzēm ir vieglāk noiet garākus attālumus.
- Salīdzinot ar stingrajām potītēm, uzlabota stājas fāzes laika simetrija.
- Salīdzinot ar stingrajām potītēm, mazāks troksnis ekstremitātes noslogošanas brīdī.

2 Drošības informācija



Šis brīdinājuma simbols izceļ svarīgu drošības informāciju, kas rūpīgi jāievēro.



Par jebkādām veiktspējas vai ekstremitātes funkcionēšanas izmaiņām, piem., ierobežotu kustību vai pārmērīgu kustību, nevienmērīgu kustību vai neparastiem trokšņiem, nekavējoties ziņojiet savam pakalpojumu sniedzējam.



Ejot pa kāpnēm lejā un jebkurā citā laikā vienmēr izmantojiet kāpņu margas, kad tās ir pieejamas.



Ierīce nav piemērota ekstrēmiem sporta veidiem, skriešanai vai riteņbraukšanas sacensībām, sportošanai uz ledus un sniega, stāvām nogāzēm un pakāpieniem. Par šādu darbību veikšanu ir atbildīgs tikai lietotājs. Ir pieļaujama riteņbraukšana atpūtas nolūkos.



Ierīces montāžu, apkopi un remontu drīkst veikt tikai atbilstoši apmācīts speciālists vai atbilstoši apmācīts tehniķis.



Ja mainās ierīces stāvoklis, lietotājam jāsazinās ar savu speciālistu.



Pārliedzinieties, ka braukšanas laikā tiek izmantoti tikai atbilstoši aprīkoti transportlīdzekļi. Visām personām, vadot mehāniskos transportlīdzekļus, ir jāievēro attiecīgie satiksmes noteikumi.



Lai samazinātu paslīdēšanas un pakļūšanas risku, vienmēr jāizmanto atbilstoši apavi, kas cieši pieguļ pēdas protēzes apvalkam.

3 Uzbūve

Galvenās daļas

- Pēdas protēzes apvalks - poliuretāns
- Liets ķīlis - ar šķiedrām pastiprināta termoplastiskā plastmasa/ alumīnija sakausējums
- Pēdas skrūve - nerūsējošais tērauds
- Ieliekta paplāksne - nerūsējošais tērauds

Sastāvdaļu identifikācija



4 Funkcija

Ierīce ir apvienota ar izturīgu vairāku asu Multiflex potīti, lai nodrošinātu vienmērīgu un stabilu gaitu, un var zināmā mērā pielāgoties nelīdzenām virsmām. Ierīcei ir viegls ar šķiedrām nostiprināts termoplastiskās plastmasas ķīlis, kas nodrošina vieglu pēdas svāra maiņu stājas laikā, un tai ir sandales pirksts dabiskākam izskatam, kas ir ideāli piemērots mazāk aktīviem lietotājiem.

Robotā potītes saskarne ļauj izvēlēties dažādus papēža augstumus. Multiflex Slim ir iespējams piemērot augstākam papēdim.

5 Apkope

Regulāri vizuāli pārbaudiet ierīci.

Ziņojiet speciālistam / pakalpojumu sniedzējam par jebkādam izmaiņām šīs ierīces veiktspējā, piem., neparastiem trokšņiem, palielinātu stīvumu vai ierobežotu/pārmērīgu kustību, nozīmīgu nolietojumu vai pārmērīgu krāsas maiņu, kas radusies ilgstošas UV staru iedarbības rezultātā.

Informējiet speciālistu/pakalpojumu sniedzēju par jebkādam ķermeņa masas un/vai aktivitātes līmeņa izmaiņām.

Tīrīšana

Izmantojiet mitru drānu un vieglu ziepjūdeni, lai notīrītu ārējās virsmas; neizmantojiet agresīvus tīrīšanas līdzekļus.

Turpmākie šajā sadaļā esošie norādījumi paredzēti tikai speciālistam.

Šo apkopi drīkst veikt tikai kompetents personāls (speciālists vai atbilstoši apmācīts tehniķis).

Šādu apkopi ieteicams veikt reizi gadā.

- Pārbaudiet, vai pēdas skrūve ir stingri pievilktā.

Norādiet lietotājiem ziņot attiecīgajiem medicīniskajiem speciālistiem šādos gadījumos:

- konstatējot jebkādas izmaiņas ķermeņa masā vai aktivitātes līmenī;
- konstatējot ierīces veiktspējas izmaiņas, piemēram, neparastus trokšņus vai kustīgumu.

Pārliecinieties, ka lietotājs ir izpratis visu lietošanas pamācību, īpašu uzmanību pievēršot sadaļai par apkopi.

6 Lietošanas ierobežojumi

Paredzētais kalpošanas laiks

Jāveic vietējs riska novērtējums, pamatojoties uz aktivitāti un lietojumu.

Celšanas slodzes

Lietotāja ķermeņa masu un aktivitāti regulē noteiktie ierobežojumi. Lietotāja slodzei jāatbilst vietējā riska novērtējumā noteiktajai.

Vide

Izvairieties no Multiflex pēdas pakļaušanas kodīgas vides, piemēram, ūdens, skābju un citu šķidrumu, iedarbībai.

Izvairieties no abrazīvām vidēm, piemēram, tām, kas satur smiltis, jo tās var veicināt pāragru nodilumu.

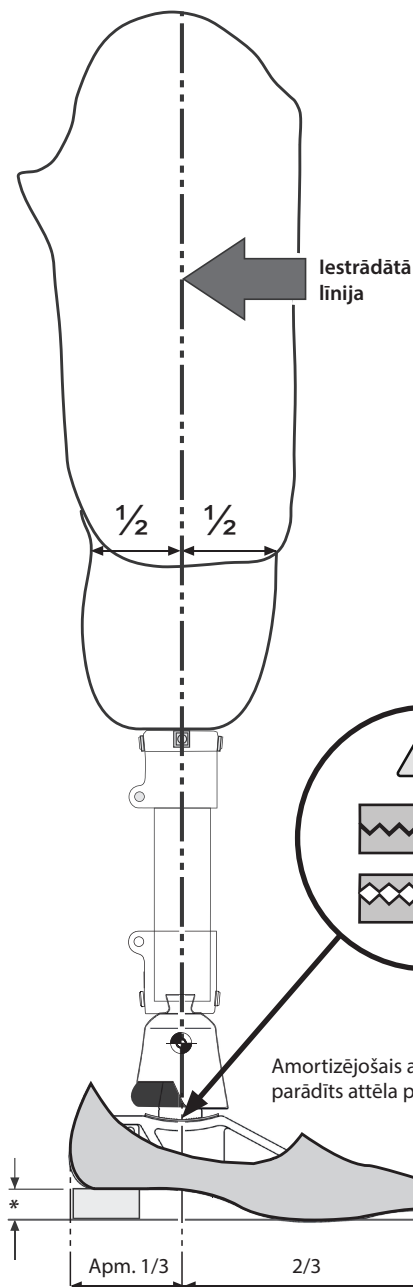
Lietot tikai temperatūrā no -10 °C līdz 50 °C.



Piemērota lietošanai ārā

7 Stenda salāgošana

Šajā sadaļā esošie norādījumi paredzēti tikai speciālistam.



Salāgojiet virsceļa ierīces atbilstoši pielāgošanas norādījumiem, kas iekļauti ceļa protēzes komplektācijā, saglabājot iestrādāto līniju attiecībā pret Multiflex potīti, kā parādīts.

7.1 Statiskā salāgošana

Kad fleksija ir pielāgota, iestrādātajai līnijai ir jāstiepjas cauri uznavas centram sagitālajā (A–P) plaknē un cauri Multiflex pēdai, kā parādīts attēlā. Jāpielāgo kurpes papēža augstums.

7.2 Dinamiskā salāgošana

Koronālā plakne

Uznavas un pēdas savstarpējā novietojuma regulēšanas laikā pārliecinieties, ka M-L vilce ir minimāla.

Sagitālā plakne

Pārbaudiet, vai ir vienmērīga pāreja no papēža uz pirkstu. Pārliecinieties arī, vai stāvēt papēdis un pirksts ir vienmērīgi noslogoti un vai tie abi aizskar grīdu.

Pirms pievilkt pēdas skrūvi, pārliecinieties, ka ierobi ir fiksēti.

Nepareizi fiksēti ierobi var izraisīt troksni, un pēda var pēkšņi kļūt vaļīga. Par 1/8 apgrieziena atslābinot pēdas skrūvi pārliecinieties, ka ierobi ir pareizi fiksēti. Pēdai ir jābūt vaļīgai, bet tā nedrīkst rotēt. Pievelciet ar pareizo griezes momentu.

Amortizējošais atbalsta gredzens nav parādīts attēla pārskatāmības dēļ

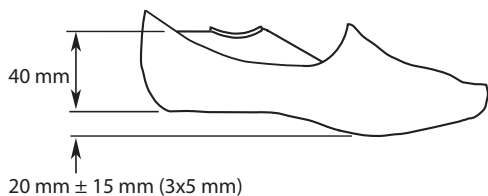
* Var izmantot lietotāja apavus

8 Tehniskie dati

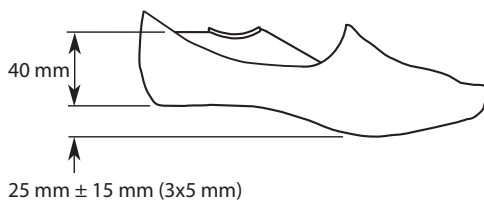
Lietošana un uzglabāšana	-15 °C līdz 50 °C
Temperatūras diapazons:	
Komponenta svars (26. izmērs):	375 g
Aktivitātes līmenis:	1.-2.
Maks. lietotāja ķermeņa masa:	
1.-2. aktivitātes līmenis	125 kg
3.-4. aktivitātes līmenis	100 kg
Konstruktijas augstums:	40 mm
Nominālais/vidēja diapazona papēža augstums:	Multiflex Slim — 25 mm Multiflex Standard — 20 mm
Papēža regulēšanas diapazons:	± 15 mm (3x5 mm pieaugums)

Uzstādīšanas garums

Multiflex Standard



Multiflex Slim



9 Pasūtīšanas informācija

Multiflex Standard

Izmērs (cm)	Daļas numurs— kreisā	Daļas numurs — labā
22	519119	519120
23	519121	519122
24	519123	519124
25	519125	519126
26	519127	519128
27	519129	519130
28	519131	519132
29	519133	519134
30	519135	519136

Multiflex Slim

Izmērs (cm)	Daļas numurs— kreisā	Daļas numurs — labā
22	519141	519142
23	519143	519144
24	519145	519146
25	519147	519148

Daļa	Daļas numurs
Pēdas skrūve	400022
Ieliekta paplāksne	500021

Atbildība

Ražotājs iesaka izmantot ierīci tikai noteiktos apstākļos un paredzētajiem mērķiem. Ierīces apkope ir jāveic saskaņā ar komplektācijā iekļauto lietošanas pamācību. Ražotājs nav atbildīgs par negatīviem rezultātiem, ko izraisa neatļautas komponentu kombinācijas.

CE atbilstība

Šis izstrādājums atbilst Eiropas Regulai ES 2017/745, kas attiecas uz medicīniskajām ierīcēm. Šis izstrādājums ir klasificēts kā I klases produkts saskaņā ar klasifikācijas kritērijiem, kas izklāstīti Regulas VIII pielikumā. ES atbilstības deklarācijas sertifikāts pieejams tīmekļa vietnē www.blatchford.co.uk



Medicīniskā ierīce



Viens pacients — atkārtota lietošana

Saderība

Kombinācija ar Blatchford zīmola izstrādājumiem ir apstiprināta, pamatojoties uz testēšanu saskaņā ar attiecīgajiem standartiem un MDR, tostarp attiecībā uz konstrukcijas pārbaudi, izmēru saderību un uzraudzītu lauka veikspēju.

Kombinēšana ar alternatīviem CE marķētiem izstrādājumiem jāveic, ņemot vērā dokumentētu vietējā riska novērtējumu, ko izpilda speciālists.

Garantija

Šai ierīcei ir piešķirta 24 mēnešu garantija.

Lietotājam ir jāapzinās, ka izmaiņas vai pārveidojumi, kas nav skaidri apstiprināti, var anulēt garantiju, darbības licences un izņēmumus.

Iepriekš minētais dažādos tirgos var atšķirties; konsultējieties ar savu vietējo tirdzniecības pārstāvi, lai uzzinātu vairāk.

Pilnīgu pašreizējo garantijas paziņojumu skatiet Blatchford tīmekļa vietnē.

Ziņošana par nopietniem negadījumiem

Ja rodas nopietns negadījums, kas saistīts ar šo ierīci un kas ir maz ticams, par to jāziņo ražotājam un valsts kompetentajai iestādei.

Vides aspekti

Lai novērstu nekontrolētas atkritumu likvidēšanas iespējamo kaitējumu videi vai cilvēku veselībai, uzņēmums Blatchford piedāvā atpakaļsavākšanas pakalpojumu. Lai uzzinātu vairāk, lūdzu, sazinieties ar klientu apkalpošanas dienestu.

Iepakojuma etiķetes saglabāšana

Speciālistam ieteicams glabāt iepakojuma etiķeti atsaucēi par piegādāto ierīci.

Paziņojumi par preču zīmēm

Multiflex un Blatchford ir uzņēmuma Blatchford Products Limited reģistrētās preču zīmes.

Ražotāja reģistrētā adrese

Blatchford Products Limited, Lister Road, Basingstoke RG22 4AH, Apvienotā Karaliste.

Turinys	82
1 Aprašas ir numatyta paskirtis	83
2 Saugos informacija	84
3 Konstrukcija.....	85
4 Veikimas.....	86
5 Priežiūra	86
6 Naudojimo apribojimai	87
7 Lygiavimas stende.....	88
7.1 Statinis lygiavimas	88
7.2 Dinaminis lygiavimas.....	88
8 Techniniai duomenys.....	89
9 Informacija apie užsakymą	90

1 Aprašas ir numatyta paskirtis

Jei nenurodyta kitaip, ši naudojimo instrukcija skirta gydytojui ir naudotojui.

Joje terminu *priemonė* vadinamas protezas „Multiflex“.

Perskaitykite visą naudojimo instrukciją ir įsitikinkite, kad viską supratote, ypač visą saugos informaciją ir priežiūros instrukcijas.

Taikymas

Priemonė skirta naudoti tik kaip apatinės galūnės protezo dalis.

Skirta vienam naudotojui.

Naudojant su „Multiflex“ kulkšnies protezu, kuris padidina stabilumą, naudotojui suteikiama daugiaašio judėjimo galimybė. Žemo profilio konstrukcija ir sandalams pritaikyti pirštai pėdos protezui suteikia natūralesnę išvaizdą.

Mobilumo lygis

Priemonė rekomenduojama 1–2 mobilumo lygių naudotojams.

Būna rekomendacijos išimčių, todėl leidžiame vadovautis ir individualiomis naudojimo aplinkybėmis. Gaminys gali būti naudingas 3–4 mobilumo lygių* naudotojams, tačiau šis sprendimas turi būti logiškas ir visapusiškai pagrįstas.

* Didžiausias naudotojo svoris: 100 kg.

1 mobilumo lygis

Naudodamas protezą geba perkelti svorį nuo vienos kojos ant kitos arba eiti lygiu paviršiumi vienu greičiu. Tipinis ambulatorinis ligonis, galintis vaikščioti su apribojimais arba be jų tik gyvenamojoje vietoje.

2 mobilumo lygis

Geba vaikščioti ir įveikti žemas aplinkos kliūtis, pvz., šaligatvio bortelius, laiptus arba nelygius paviršius. Tipinis ambulatorinis ligonis, galintis su apribojimais vaikščioti ne tik gyvenamojoje vietoje.

3 mobilumo lygis

Geba vaikščioti kintamu greičiu.

Tipinis ambulatorinis ligonis, kuris gali vaikščioti ne tik gyvenamojoje vietoje, geba įveikti daugumą aplinkos kliūčių ir gali užsiimti profesine, terapine arba mankštos veikla, dėl kurios protezas turi būti naudojamas intensyviau, nei atliekant įprastus judesius.

4 mobilumo lygis

Geba vaikščioti su protezu tokiu būdu, kuris viršija elementaraus vaikščiojimo įgūdžius, pasižymi stipriais smūgiais, įtempais ir dideliu energijos kiekiu. Tipiniai vaikų, aktyvių suaugusiųjų arba sportininkų su protezu poreikiai.

Kontraindikacijos

Priemonė gali netikti sporto varžyboms. Tokiems naudotojams gali geriau tikti pagal jų poreikius specialiai suprojektuotas ir optimizuotas protezas.

Klinikinė nauda

- Mažas standumas esant priimtinam svoriui lemia ankstyvą atramą visa pėda ir suteikia didesnę stabilumą mažesnio mobilumo pacientams, palyginti su vienos ašies pėdos protezu arba pėdos protezu su nesilankstančia kulkšnimi ir amortizuojančiu kulnu.
- Neprarandamas stabilumas naudojant abiejų galūnių netekusiems naudotojams, palyginti su nesilankstančia kulkšnimi
- Abiejų galūnių netekę naudotojai gali lengviau eiti nelygiu paviršiumi, palyginti su nesilankstančia kulkšnimi
- Abiejų galūnių netekę naudotojai gali lengviau eiti nuožulniu paviršiumi, palyginti su nesilankstančia kulkšnimi
- Abiejų galūnių netekę naudotojai gali lengviau nueiti didesnę atstumą, palyginti su nesilankstančia kulkšnimi
- Simetriškesnis atramos fazės etapų laikas, palyginti su nesilankstančia kulkšnimi
- Mažesnė sveikos galūnės apkrova, palyginti su nesilankstančia kulkšnimi

2 Saugos informacija



Šiuo įspėjamoju simboliu pažymėta svarbi saugos informacija, kuria būtina atidžiai vadovautis.



Apie bet kokius galūnės veikimo savybių arba funkcionavimo pakitimus, pvz., ribotą judėjimą, per didelį judėjimą, nesklاندų judėjimą arba neįprastus garsus, būtina nedelsiant pranešti priežiūros specialistui.



Visada laikykitės už turėklų, kai leidžiatės laiptais žemyn ir kitais atvejais, kai turėklai įrengti.



Priemonė netinkama ekstremaliam sportui, bėgimui, dviračių lenktynėms, žiemos sporto šakoms, labai stačioms įkalnėms ir laiptams. Užsiimdami tokia veikla naudotojai prisiima visą atsakomybę. Leidžiamas pramoginis važinėjimas dviračiu.



Priemonės surinkimo, priežiūros ir remonto darbus privalo atlikti tik gydytojas arba tinkamos kvalifikacijos specialistas.



Pajutęs diskomfortą naudotojas turi susisiekti su gydytoju.



Vairuokite tik tinkamai pritaikytas transporto priemones. Valdydami motorines transporto priemones visi asmenys privalo laikytis atitinkamų vairavimą reglamentuojančių teisės aktų.



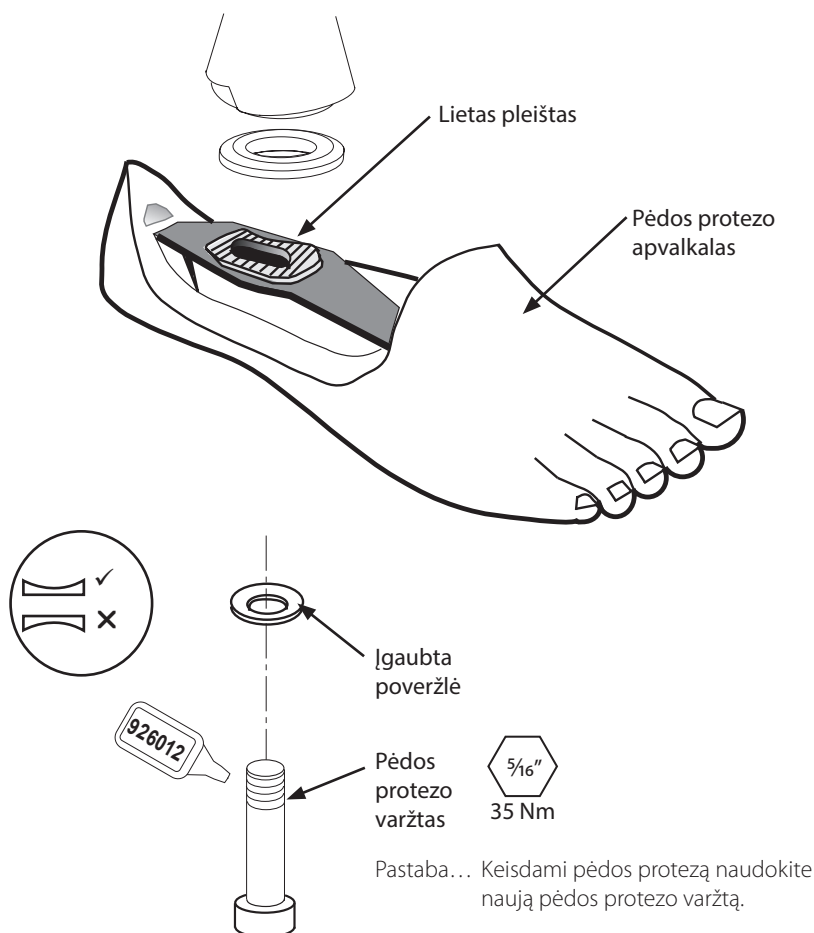
Siekiant sumažinti paslydimo arba užkliuvimo riziką, reikia visada avėti tinkamą avalynę, kuri tvirtai užsideda ant pėdos protezo apvalkalo.

3 Konstrukcija

Pagrindinės dalys

- Pėdos protezo apvalkalas - Poliuretanas
- Lietas pleištas - Pluoštu armuotas termoplastikas ir aliuminio lydinys
- Pėdos protezo varžtas - Nerūd. plienas
- Įgaubta poveržlė - Nerūd. plienas

Komponentų identifikavimas



4 Veikimas

Priemonė naudojama su tampria daugiaaše „Multiflex“ kulkšnimi, leidžia sklandžiai, stabiliai eiti bei tam tikru laipsniu prisitaiko prie nelygių paviršių. Priemonėje yra lengvas, pluoštu armuoto termoplastiko pleištas, suteikiantis švelnų perėjimą per atramos fazę, ir sandalams pritaikyti pirštai, suteikiantys natūralesnę išvaizdą. Ji idealiai tinka mažesnio mobilumo lygio naudotojams.

Dantiyta kulkšnies sąsaja leidžia pritaikyti skirtingo aukščio kulnus. „Multiflex Slim“ leidžia pritaikyti dar aukštesnį kulną.

5 Priežiūra

Priemonę reguliariai apžiūrėkite.

Apie bet kokius priemonės veikimo pakitimus, pvz., neįprastus garsus, padidėjusį standumą, ribotą ar per didelį judėjimą, didelį nusidėvėjimą arba stiprų spalvos pakitimą dėl ilgalaikio UV spinduliuotės poveikio, praneškite gydytojui ir (arba) priežiūros specialistui.

Informuokite gydytoją ir (arba) priežiūros specialistą apie pasikeitusį kūno svorį ir (arba) mobilumo lygį.

Valymas

Drėgna šluoste ir švelniu muilu nuvalykite išorinius paviršius. Nenaudokite stiprių valiklių.

Kiti nurodymai šiame skyriuje skirti tik gydytojui.

Šiuos priežiūros darbus privalo atlikti tik kompetentingi darbuotojai (gydytojas arba tinkamos kvalifikacijos specialistas).

Rekomenduojama kasmet atlikti šiuos priežiūros darbus:

- Patikrinkite, ar pėdos protezo varžtas tinkamai užveržtas.

Informuokite naudotoją pranešti gydytojui apie toliau nurodytus dalykus.

- Kūno svorio arba mobilumo lygio pasikeitimas
- Priemonės veikimo savybių pasikeitimas, pvz., neįprasti garsai arba laisvumas.

Patikrinkite, ar naudotojas suprato visus naudojimo nurodymus, ypač atkreipdami dėmesį į skyrių apie priežiūrą.

6 Naudojimo apribojimai

Numatyta naudojimo trukmė

Reikia atlikti vietinį rizikos vertinimą ir įvertinti aktyvumą bei naudojimą.

Sunkių daiktų kėlimas

Leidžiamas naudotojo svoris ir aktyvumas priklauso nuo nurodytų ribų. Galimybė naudotojui nešti sunkius daiktus turi būti pagrįsta vietiniu rizikos vertinimu.

Aplinka

Saugokite pėdos protezą „Multiflex“ nuo koroziją sukeliančių medžiagų, pvz., vandens, rūgščių ir kitų skysčių. Venkite aplinkos, kurioje yra abrazyvinių medžiagų, pvz., smėlio, nes jos gali sukelti pirmalaikį susidėvėjimą.

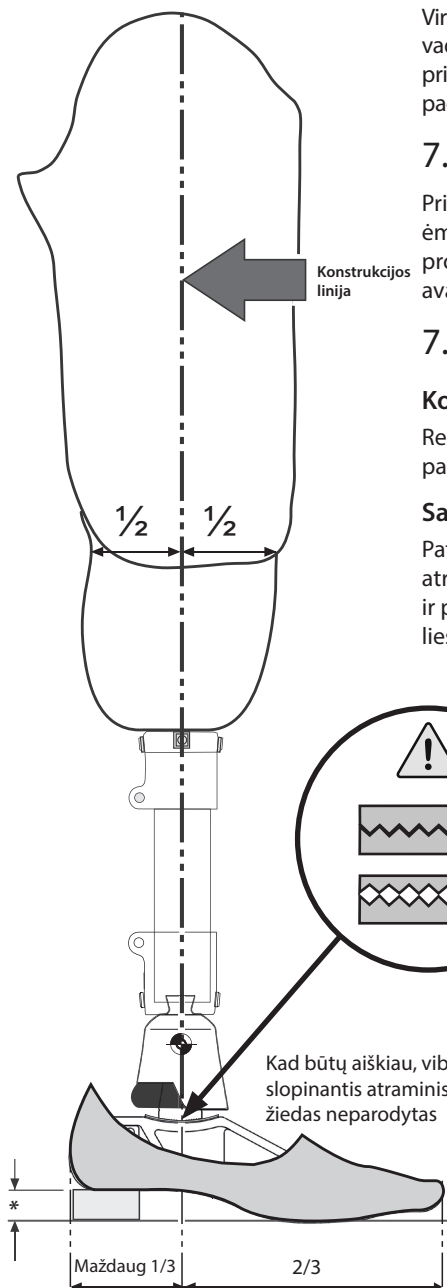
Naudokite tik nuo $-10\text{ }^{\circ}\text{C}$ iki $50\text{ }^{\circ}\text{C}$ temperatūroje.



Tinkama naudoti lauke

7 Lygiavimas stende

Nurodymai šiame skyriuje skirti tik gydytojui.



Virš kelio amputuotos galūnės priemonės sulygiuokite vadovaudamiesi su kelio komponentu pateiktais pritaikymo nurodymais ir išlaikydami konstrukcijos linijos padėtį „Multiflex“ kulkšnies atžvilgiu, kaip parodyta.

7.1 Statinis lygiavimas

Pritaikius fleksiją, konstrukcijos linija turi eiti per bigės ėmiklio centrą sagitalinėje (P/U) plokštumoje ir pėdos protezą „Multiflex“, kaip parodyta. Palikite vietos avalynės kulnui.

7.2 Dinaminis lygiavimas

Koronarinė plokštuma

Reguliuodami bigės ėmiklio ir pėdos protezo tarpusavio padėtį užtikrinkite, kad M/L postūmis būtų minimalus.

Sagitalinė plokštuma

Patikrinkite, ar sklandžiai pereinama nuo kulno atrėmimo iki pirštų pakėlimo. Taip pat stovint kulnui ir pirštams turi tekti vienoda apkrova ir abi dalys turi liesti grindis.

Prieš užverždami pėdos protezo varžtą, patikrinkite, ar dantukai susikabinę. Jei dantukai netinkamai susikabinę, pėdos protezas gali skleisti garsus ir staiga atsilaisvinti. Ar dantukai tinkamai susikabinę, patikrinkite atleidę pėdos protezo varžtą 1/8 apsisukimo. Pėdos protezas turi būti atlaisvintas, tačiau nesisukti. Tada užveržkite tinkamu sukimo momentu.

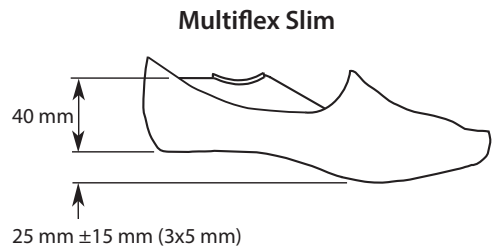
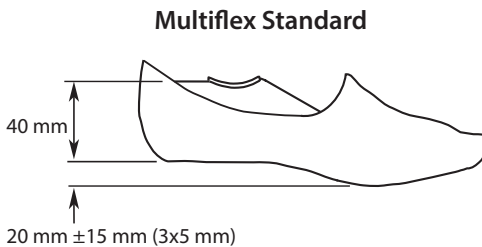
Kad būtų aiškiau, vibraciją slopinantis atraminis žiedas neparodytas

* Palikite tarpą naudotojo avalynei

8 Techniniai duomenys

Darbinės ir laikymo temperatūros diapazonas	Nuo -15 °C iki 50 °C
Komponento svoris (26 dydžio)	375 g
Mobilumo lygis	1–2
Didžiausias naudotojo svoris	
1–2 mobilumo lygis	125 kg
3–4 mobilumo lygis	100 kg
Konstrukcijos linijos aukštis	40 mm
Vardinis / vidutinis kulno aukštis	„Multiflex Slim“ – 25 mm „Multiflex Standard“ – 20 mm
Kulno aukščio reguliavimo diapazonas	±15 mm (3x5 mm žingsniai)

Derinimo ilgis



9 Informacija apie užsakymą

Multiflex Standard

Dydis (cm)	Dalies numeris (kairės kojos)	Dalies numeris (dešinės kojos)
22	519119	519120
23	519121	519122
24	519123	519124
25	519125	519126
26	519127	519128
27	519129	519130
28	519131	519132
29	519133	519134
30	519135	519136

Multiflex Slim

Dydis (cm)	Dalies numeris (kairės kojos)	Dalies numeris (dešinės kojos)
22	519141	519142
23	519143	519144
24	519145	519146
25	519147	519148

Dalis	Dalies numeris
Pėdos protezo varžtas	400022
Igaubta poveržlė	500021

Atsakomybė

Gamintojas rekomenduoja naudoti priemonę tik nurodytomis sąlygomis ir numatytais tikslais. Priemonę būtina prižiūrėti vadovaujantis kartu su ja pateikta naudojimo instrukcija. Gamintojas neatsako už jokiais neigiamas pasekmes, kurias sukėlė gamintojo nepatvirtinti komponentų deriniai.

CE atitikties

Šis gaminys atitinka Europos reglamento (ES) 2017/745 dėl medicinos priemonių reikalavimus. Vadovaujantis klasifikavimo taisyklėmis, nurodytomis reglamento VIII priede, šis gaminys priskiriamas I klasės priemonėms. ES atitikties deklaraciją galima atsisiųsti šioje svetainėje: www.blatchford.co.uk



Medicinos priemonė



Vienas pacientas – daugkartinis naudojimas

Suderinamumas

Derinimas su „Blatchford“ gaminiais patvirtintas remiantis bandymais, įskaitant konstrukcijos bandymą, atliktais pagal susijusius standartus ir Medicinos priemonių reglamentą (MPR), matmenų suderinamumu ir stebimomis eksploatacinėmis savybėmis.

Derinti su alternatyviais CE ženklų pažymėtais gaminiais galima atsižvelgiant į gydytojo atliktą dokumentuotą vietinį rizikos vertinimą.

Garantija

Priemonei suteikiama 24 mėnesių garantija.

Naudotojas turi žinoti, kad dėl pakeitimų ar modifikacijų, kurie nėra aiškiai patvirtinti, gali būti panaikinta garantija, naudojimo licencijos ir išimty.

Minėta pastaba priklauso nuo rinkos; išsamesnės informacijos teiraukitės vietos atstovo.

Dabartinį visą garantijos pareiškimą žr. „Blatchford“ svetainėje.

Pranešimas apie rimtus incidentus

Jei mažai tikėtina atveju įvyktų rimtas incidentas, susijęs su šia priemone, apie jį reikia pranešti gamintojui ir kompetentingai nacionalinei institucijai.

Su aplinkosauga susiję aspektai

Siekdama išvengti galimos žalos aplinkai ir žmonių sveikatai dėl nekontroliuojamo atliekų šalinimo, įmonė „Blatchford“ siūlo produktų grąžinimo paslaugą. Dėl išsamesnės informacijos susisiekite su klientų aptarnavimo skyriumi.

Pakuotės etiketės išsaugojimas

Gydytojui rekomenduojama išsaugoti pakuotės etiketę kaip pateiktos priemonės įrodymą.

Prekių ženklų patvirtinimo informacija

„Multiflex“ ir „Blatchford“ yra „Blatchford Products Limited“ registruotieji prekių ženklai.

Registruotas gamintojo adresas

Blatchford Products Limited, Lister Road, Basingstoke RG22 4AH, UK.

Sisukord	92
1 Kirjeldus ja kasutusotstarve	93
2 Ohutusteave.....	94
3 Konstruktsioon	95
4 Otstarve	96
5 Hooldus.....	96
6 Kasutuspiirangud	97
7 Joondumuse eelseadistamine rakises	98
7.1 Staatiline joondumus	98
7.2 Dünaamiline joondumus	98
8 Tehnilised andmed	99
9 Tellimisteave.....	100

1 Kirjeldus ja kasutusotstarve

Kui pole öeldud teisiti, on käesolev kasutusjuhend mõeldud proteesimeistrile ja kasutajale.

Termin *seade* viitab käesolevas kasutusjuhendis Multiflex-sarja jalalabale.

Lugege kasutusjuhend tervenisti läbi ja tehke see endale selgeks. Pöörake erilist tähelepanu ohutusteabele ja hooldusjuhistele.

Kasutamine

Seade on mõeldud kasutamiseks üksnes osana alajäsemeproteesist.

Ette nähtud kasutamiseks ühel patsiendil.

Kui kasutada koos Multiflex-sarja hüppeliigesega, pakub see kombinatsioon multiaktsiaalset dünaamikat, mis suurendab stabiilsust. Sandaalile sobiva varbaosa madal profiil annab jalalabale loomulikuma välimuse.

Aktiivsusgrupp

Seade on soovitatav I ja II aktiivsusgrupi kasutajatele.

On ka erandeid ja hoolimata meie soovitustest tuleb alati kaaluda iga konkreetse olukorra individuaalseid asjaolusid. Võib olla ka III ja IV aktiivsusgrupi* kasutajaid, kellele oleks abi sellest seadmest, kuid sellise otsuse taga peab olema selge ja ammendav põhjendus.

* Kasutaja max kehakaal: 100 kg.

Aktiivsusgrupp 1

Patsient on suuteline või võimeline kasutama proteesi liikumiseks või kõndimiseks tasasel pinnal muutumatu kõnnikiirusega. Iseloomustab patsienti, kes suudab kõndida vaid lühikeste sammudega või aeglase kõnnikiirusega.

Aktiivsusgrupp 2

Patsient on suuteline või võimeline kõndima ning iseseisvalt ületama madalamaid igapäevasest keskkonnast tulenevaid takistusi (äärekiivid, trepid või ebatasased pinnad). Iseloomustab patsienti, kes suudab kõndida lühiajaliselt kiirema tempoga.

Aktiivsusgrupp 3

Patsient on suuteline või võimeline kõndima muutuva kõnnikiirusega.

Iseloomustab patsienti, kes on suuteline kõndima ka kiire kõnnikiirusega, ületama enamikku igapäevasest keskkonnast tulenevatest takistustest ning võib tegeleda kutse-, teraapia- või treeningtegevustega, mis seavad proteesile lihtsalt liikumise abistamisest suuremad nõudmised.

Aktiivsusgrupp 4

Patsient on suuteline või võimeline kõndima proteesiga viisil, mis ületab elementaarseid kõndimisoskusi ning nõuab suuremat löögi- või pingetaluvust või energiataset. Iseloomustab lapse, aktiivse täiskasvanu või sportlase proteesivajadusi.

Vastunäidustused

Seade ei pruugi sobida kasutamiseks spordivõistlustel. Sellistele kasutajatele võib olla sobivam erikonstruktsiooniga protees, mis on optimeeritud konkreetse kasutaja vajadustele.

Kliiniline kasu

- Vähene jäikus keharaskuse toetamisel vähendab amortisatsioonifaasini kuluvat aega ja suurendab stabiilsust väiksema liikumisvõimega patsientidel (võrreldes üheteljeliste ning jäiga hüppeliigese ja pehmenedusega tallaga jalalabadega).
- Mõlema jala proteesiga kasutajad ei koge stabiilsuse kadu (võrreldes jäiga hüppeliigese seadmetega).
- Teeb mõlema jala proteesiga kasutajatel ebatasasel pinnal kõndimise lihtsamaks (võrreldes jäiga hüppeliigese seadmetega).
- Teeb mõlema jala proteesiga kasutajatel kallakutel kõndimise lihtsamaks (võrreldes jäiga hüppeliigese seadmetega).
- Teeb mõlema jala proteesiga kasutajatel pikemate vahemaade kõndimise lihtsamaks (võrreldes jäiga hüppeliigese seadmetega).
- Toefaaside ajastus on sümmeetrilisem (võrreldes jäiga hüppeliigese seadmetega).
- Väiksem koormus tervele jalale (võrreldes jäiga hüppeliigese seadmetega)

2 Ohutusteave



Selle hoiatussümboliga on esile tõstetud oluline ohutusteave, mida tuleb hoolikalt järgida.



Kui jäsemeproteesi omadused või talitlus muutuvad (nt piiratud, liiga suur või katkendlik liikumine või ebatavalised helid), tuleks sellest viivitamata teenusepakkujale teada anda.



Treppist alla kõndides hoidke kinni käsipuust (ja alati ka muudel juhtudel, kui see on olemas).



Seade ei sobi kasutamiseks ekstreemspordis, jooksu- ega jalgrattavõistlustel, jää- ja lumespordis, eriti järskudel kallakutel ega eriti järskudel treppidel. Mis tahes sellisteks tegevusteks kasutamine on kasutaja enda riisikol. Harrastuslik jalgrattasõit on lubatud.



Seadme kokkupaneku, hooldamise ja parandamisega seotud töid tohib teha ainult asjakohase kvalifikatsiooniga proteesimeister/tehnik.



Kui kasutaja seisund muutub, peaks ta sellest viivitamata proteesimeistrile teada andma.



Sõiduki juhtimisel peab sõidukile olema paigaldatud asjaomane invavarustus. Iga mootorsõiduki juht on kohustatud järgima talle kehtivat liiklusseadust.



Libastumise ja komistamise ohu minimeerimiseks tuleb alati kanda sobivat jalatsit, kuhu jalalabaümbris tihedalt sisse istub.

3 Konstruksioon

Peamised osad

- Jalalabaümbris - polüüretaan
- Vormitud kaartald - Kiudtugevdatud termoplast / alumiiniumisulam
- Jalalaba polt - Roostevaba teras
- Nõgusseib - Roostevaba teras

Seadme osad



4 Otstarve

Seade annab koos Multiflex-sarja hüppeliigesega multiaktsiaalse dünaamika, et võimaldada sujuvat ja stabiilset kõnnakut ning mõningast vetruvust isegi ebatasasel pinnal. Seade koosneb kergest kiudtugevdatud termoplastist kaartallast, mis pakub sujuvat jalalaba rullumist kannalt suure varbani, ning sandaalile sobivast varbaosast, mis annab loomulikuma välimuse – ideaalne väiksema aktiivsusega kasutajatele.

Sakilise kontaktpinnaga hüppeliigeseliidese abil saab seadistada erinevatele kannu kõrgustele. Multiflex Slim võimaldab seadistada kannu kõrguse veelgi suuremaks.

5 Hooldus

Seadet tuleb regulaarselt visuaalselt kontrollida.

Kui seadme omadused peaksid muutuma (nt ebatavalised helid, jäikuse suurenemine, piiratud/liigne liikumine, märkimisväärne kulumine või ülemäärane värvimuutus, mis on põhjustatud pikaajalisest kokkupuutest UV-kiirgusega), teatage sellest proteesimeistrile/teenusepakkujale.

Teavitage proteesimeistrit/teenusepakkujat igasugusest kehakaalu ja/või aktiivsusgrupi muutusest.

Puhastamine

Kasutage välispindade puhastamiseks niisket lappi ja pehmetoimelist seepi. Ärge kasutage tugevatoimelisi puhastusvahendeid.

Käesoleva jaotise ülejäänud juhised on mõeldud ainult proteesimeistrile.

Neid hooldustöid võib teha ainult pädev spetsialist (proteesimeister või asjakohase väljaõppega tehnik).

Kord aastas on soovitatav teha järgmised hooldustoimingud.

- Kontrollige jalalaba poldi pingust.

Kasutajat tuleks juhendada teatama proteesimeistrile järgmisest.

- Kehakaalu ja/või aktiivsusgrupi muutus
- Seadme omaduste muutus (nt ebatavalised helid või lõtk)

Veenduge, et kasutaja on kõigist kasutusjuhistest aru saanud, pöörates erilist tähelepanu hoolduse jaotisele.

6 Kasutuspiirangud

Kavandatud kasutusiga

Koostada tuleks kohalik riskianalüüs, mis arvestab aktiivsust ja kasutust.

Raskuste tõstmine

Kasutaja kehakaal ja aktiivsus peab jääma nimetatud piiridesse. Kasutajale lubatud raskuste tõstmise piirid peaksid põhinema kohalikul riskianalüüsil.

Keskkond

Ärge laske Multiflex-sarja jalalabal puutuda kokku korrodeerivate ainetega (nt vesi, happed jm vedelikud).

Vältige ka abrasiivseid (nt liiva sisaldavaid) keskkondi, sest need võivad põhjustada enneaegset kulumist.

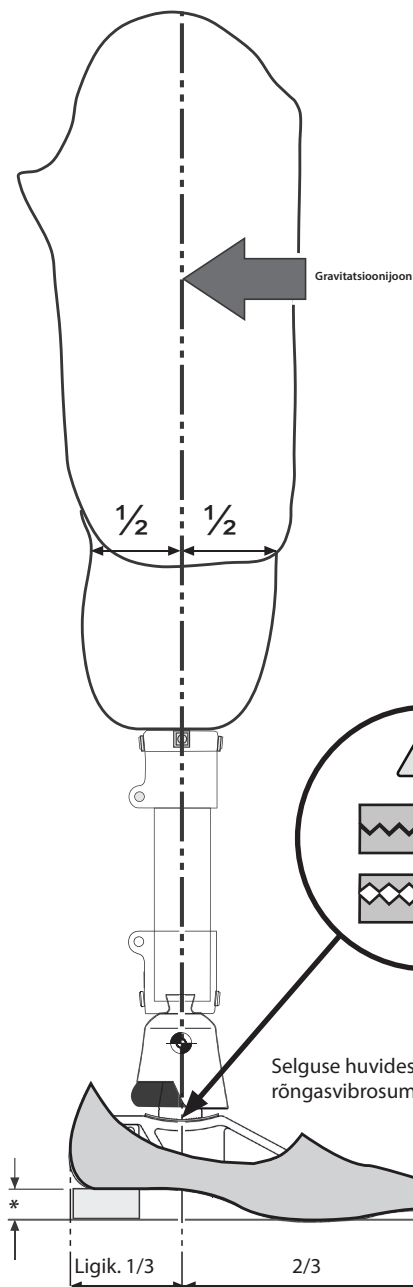
Mõeldud kasutamiseks ainult temperatuurivahemikus –10 °C kuni 50 °C.



Lubatud kasutada õues

7 Joondumuse eelseadistamine rakises

Käesoleva jaotise juhised on mõeldud ainult proteesimeistritele.



Seadistage transfemoraalsete komponentide joondumus kooskõlas põlvega kaasa tulnud juhistega, et gravitatsioonijoon jääks Multiflex-sarja hüppeliigese suhtes selliselt, nagu on näidatud illustratsioonil.

7.1 Staatiline joondumus

Kui fleksioon on seatud sobivaks, peaks gravitatsioonijoon kulgema läbi hülsi sagitaaltasapinna (A-P) tsentri ja Multiflex-sarja jalalaba, nagu näidatud illustratsioonil. Arvesse tuleks võtta jalatsi kann kõrgust.

7.2 Dünaamiline joondumus

Koronaaltasapind

Kohandage hülsi ja jalalaba suhtelist asendit tagamaks, et M–L-jõud on minimaalsed.

Sagitaaltasapind

Kontrollige sujuvat üleminekut kannalöögist hooperi algfaasini. Samuti veenduge, et seismise ajal on kann- ja varbavedru ühtlaselt koormatud ning mõlemad pörandaga kontaktis.

Veenduge enne jalalaba poldi pingutamist, et komponentide sکید on hambunud. Kui sکید ei ole korralikult hambunud, võib see põhjustada helisid ja jalalaba järsku lahtitulekut. Veenduge sakkide korralikus hambumises, lõdvendades jalalaba polti 1/8 pööret. Jalalaba peaks veidi liikuma, kuid ei tohiks pöörelda. Seejärel pingutage nõuetekohase momendiga.

Selguse huvides ei ole rõngasvibrosummutit näidatud.

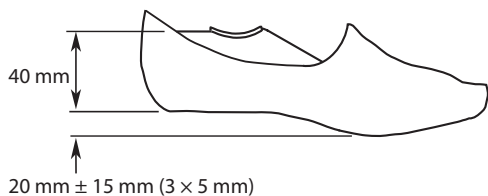
* Jätke ruumi kasutaja jalanõule

8 Tehnilised andmed

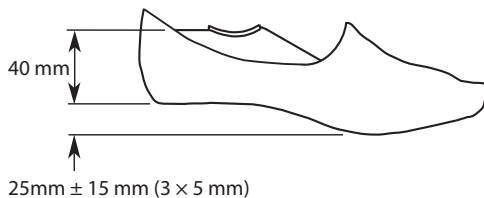
Kasutamise- ja hoiustamistemperatuuri vahemik:	-15 °C kuni 50 °C
Komponendi mass (suurus 26):	375 g
Aktiivsusgrupp:	1–2
Kasutaja max kehakaal:	
Aktiivsusgrupp 1–2	125 kg
Aktiivsusgrupp 3–4	100 kg
Konstruksiooni kõrgus:	40 mm
Kanna nimikõrgus / keskmine kõrgus:	Multiflex Slim – 25 mm Multiflex Standard – 20 mm
Kanna kõrguse reguleerimisvahemik:	±15 mm (3 × 5 mm sammuga)

Sobituspikkus

Multiflex Standard



Multiflex Slim



9 Tellimisteave

Multiflex Standard

Suurus (cm)	Tootekood – vasak	Tootekood – parem
22	519119	519120
23	519121	519122
24	519123	519124
25	519125	519126
26	519127	519128
27	519129	519130
28	519131	519132
29	519133	519134
30	519135	519136

Multiflex Slim

Suurus (cm)	Tootekood – vasak	Tootekood – parem
22	519141	519142
23	519143	519144
24	519145	519146
25	519147	519148

Artikkel	Tootekood
Jalalaba polt	400022
Nõgusseib	500021

Vastutus

Tootja soovib kasutada seadet üksnes nimetatud tingimustes ja kasutusotstarbel. Seadet tuleb hooldada kooskõlas seadme komplektis oleva kasutusjuhendiga. Tootja ei vastuta mingisuguste kõrvaltoimete eest, mis on põhjustatud komponentide kombinatsioonist, mida tootja pole heaks kiitnud.

CE-vastavus

Toode on kooskõlas Euroopa meditsiiniseadmete määruse EL 2017/745 nõuetega. Toode on liigitatud I klassi seadmeks vastavalt määruse VIII lisas toodud liigitamisreeglitele. Euroopa Liidu vastavusdeklaratsiooni saate alla laadida järgmiselt aadressilt: www.blatchford.co.uk



Meditsiiniseade



Üks patsient – mitu kasutuskorda

Ühilduvus

Kasutamine koos Blatchfordi toodetega on heaks kiidetud, tuginedes kooskõlas asjaomaste standardite ja meditsiiniseadmete direktiiviga tehtud katsetele (sh konstruktsioonikatse, mõõtmete ühilduvus ja toimivuse jälgimine praktikas).

Kasutamine koos mõne teise CE-märgisega tootega nõuab eelnevat dokumenteeritud kohalikku riskianalüüsi proteesimeistri poolt.

Garantii

Seadmel on 24-kuuline garantii.

Kasutaja peab olema teadlik sellest, et muudatused või täiendused, milleks pole saadud selgesõnalist luba, võivad garantii, kasutusloa ja vabastused kehtetuks muuta.

Eeltoodu võib riigiti erineda. Küsige lisateavet kohalikul müügiesindajalt.

Kõiki kehtivaid garantiitingimusi vt Blatchfordi veebisaidilt.

Ohujuhtumitest teatamine

Seadmega seotud ohujuhtumitest, mis on äärmiselt ebatõenäolised, tuleks teavitada tootjat ja oma riigi pädevat asutust.

Keskkonnaaspektid

Blatchford pakub toodete tagasivõtmise teenust, et kaitsta keskkonda ja inimtervist kontrollimatu jäätmete kõrvaldamise eest. Küsige lisateavet klienditeeninduselt.

Pakendi etiketi säilitamine

Proteesimeister peaks pakendi etiketi alles hoidma ning säilitama seda seadme tarnimise dokumendina.

Kaubamärgid

Multiflex ja Blatchford on ettevõtte Blatchford Products Limited registreeritud kaubamärgid.

Tootja registriaadress

Blatchford Products Limited, Lister Road, Basingstoke RG22 4AH, Ühendkuningriik.

blatchford.co.uk/distributors

Blatchford Products Ltd.

Unit D Antura
Kingsland Business Park
Basingstoke
RG24 8PZ
UNITED KINGDOM
Tel: +44 (0) 1256 316600
Fax: +44 (0) 1256 316710
Email: customer.service@blatchford.co.uk
www.blatchford.co.uk

Blatchford Inc.

1031 Byers Road
Miamisburg
Ohio 45342
USA
Tel: +1 (0) 800 548 3534
Fax: +1 (0) 800 929 3636
Email: info@blatchfordus.com
www.blatchfordus.com

Blatchford Europe GmbH

Am Prime-Parc 4
65479 Raunheim
GERMANY
Tel: +49 (0) 9221 87808 0
Fax: +49 (0) 9221/87808 60
Email: info@blatchford.de
www.blatchford.de

Email: contact@blatchford.fr
www.blatchford.fr

Endolite India Ltd.

A4 Naraina Industrial Area
Phase - 1
New Delhi
INDIA – 110028
Tel: +91 (011) 45689955
Fax: +91 (011) 25891543
Email: endolite@vsnl.com
www.endoliteindia.com

Ortopro AS

Hardangervegen 72
Seksjon 17
5224 Nesttun
NORWAY
Tel: +47 (0) 55 91 88 60
Email: post@ortopro.no
www.ortopro.no



Blatchford Europe GmbH
Am Prime-Parc 4
65479 Raunheim Germany

