

Elite^{VT}

Instructions for Use

EVT22L11S–EVT30R94S
EVT22L11SD–EVT30R94SD

| | | |
|----|-----------------------|-----|
| EN | Instructions for Use | 2 |
| DA | Brugsanvisning | 17 |
| NO | Bruksanvisning | 32 |
| FI | Käyttöohjeet | 47 |
| SV | Bruksanvisning | 62 |
| RU | Инструкция протезиста | 77 |
| ZH | 使用说明 | 92 |
| AR | إرشادات الاستخدام | 107 |

Contents



| | |
|--|----|
| Contents | 2 |
| 1 Description and Intended Purpose | 3 |
| 2 Safety Information | 5 |
| 3 Construction | 6 |
| 4 Function..... | 7 |
| 5 Maintenance | 7 |
| 6 Limitations on Use | 8 |
| 7 Bench Alignment..... | 9 |
| 7.1 Static Alignment..... | 9 |
| 7.2 Dynamic Alignment | 9 |
| 7.3 Transfemoral Alignment..... | 9 |
| 8 Fitting Advice..... | 10 |
| 9 Foot Shell Removal & Foot Spring Replacement | 11 |
| 10 Axial Shock Spring Replacement..... | 13 |
| 11 Technical Data | 14 |
| 12 Ordering Information | 15 |

1 Description and Intended Purpose

These Instructions for Use are intended for use by the practitioner and user unless otherwise stated.

The term *device* is used throughout these instructions for use to refer to EliteVT.

Please read and ensure you understand all instructions for use, in particular all safety information and maintenance instructions.

Application

This device is to be used exclusively as part of a lower limb prosthesis.

Intended for a single user.

A high-energy-return foot. Independent heel and toe spring provides axial deflection. The split toe provides good ground compliance. This device also includes a spring element capable of absorbing axial and rotational shock intended to reduce shear stresses at the residuum/socket interface.

Features

- Precision titanium spring for vertical compression and axial rotation
- Linear response to axial loading
- Efficient energy return
- Independent e-carbon foot springs
- Heel wedge for adjusting spring stiffness

Activity Level

This device is recommended for users that have the potential to achieve Activity Level 3 or 4. Of course there are exceptions and in our recommendation we want to allow for unique, individual circumstances and any such decision should be made with sound and thorough justification.

Activity Level 1

Has the ability or potential to use a prosthesis for transfers or ambulation on level surfaces at fixed cadence. Typical of the limited and unlimited household ambulator.

Activity Level 2

Has the ability or potential for ambulation with the ability to traverse low-level environmental barriers such as curbs, stairs, or uneven surfaces. Typical of the limited community ambulator.

Activity Level 3

Has the ability or potential for ambulation with variable cadence. Typical of the community ambulator who has the ability to traverse most environmental barriers and may have vocational, therapeutic, or exercise activity that demands prosthetic utilization beyond simple locomotion.

Activity Level 4

Has the ability or potential for prosthetic ambulation that exceeds basic ambulation skills, exhibiting high impact, stress, or energy levels. Typical of the prosthetic demands of the child, active adult, or athlete.

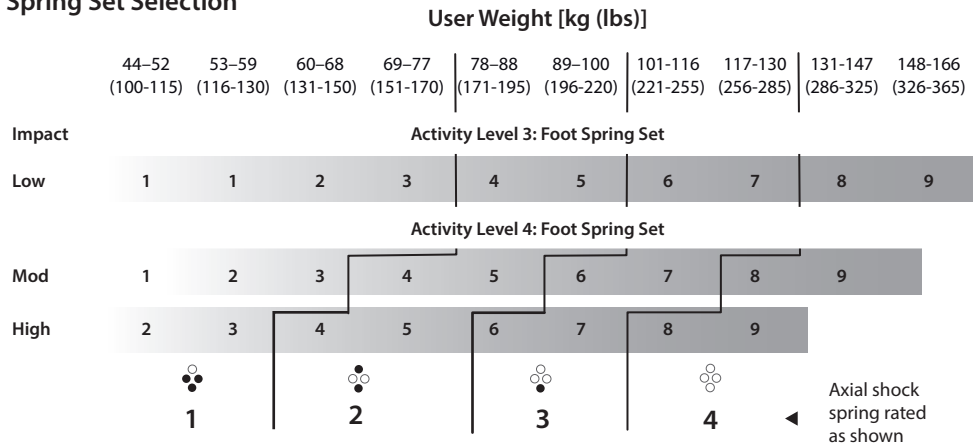
Contraindications

This device may not be suitable for Activity Level 1 individuals or for competitive sports events, as these types of users will be better served by a specially designed prosthesis optimized for their needs.

Clinical Benefits

- Allows variable running speeds
- Increased walking speed, compared to rigid pylons
- High levels of mobility for active users, compared to non-energy-storage-and-return feet, hydraulic ankles, flex-foot-style feet and flex-walk-style feet.
- Improved prosthetic push-off work compared to solid-ankle-cushioned-heel feet
- Increased prosthetic positive work done, compared to lower activity feet
- High degree of user satisfaction, particularly with high activity users
- Reduced loading rate on the residual limb, compared to rigid pylons
- Reduced back pain when twisting, compared to rigid pylons

Spring Set Selection



- Low** Daily walking and occasional sports such as golf and hiking
- Moderate** Aggressive walking, frequent or daily sports such as jogging
- High** Daily activities such as distance running, climbing, lifting and carrying heavy objects for vocational purposes

Warning: For higher impact users, do not exceed the weight limit for individual springs.

Note... If in doubt choosing between two categories, choose the higher rate spring set.

Foot spring set recommendations shown are for transtibial users.

For transfemoral users we suggest selecting a foot spring set one category lower.

Once fitted with springs, cover appropriate lines on carrier with permanent black marker to leave spring set number showing.



2 Safety Information



This warning symbol highlights important safety information which must be followed carefully.



Any changes in the performance or function of the limb e.g. restricted or excessive movement, non-smooth motion or unusual noises should be immediately reported to your service provider.



Always use a hand rail when descending stairs and at any other time if available.



The device is not suitable for extreme sports, competitive running or cycle racing, ice and snow sports, extreme slopes and steps. Any such activities undertaken are done so completely at the users' own risk. Recreational cycling or running is acceptable.



Assembly, maintenance and repair of the device must only be carried out by a suitably qualified practitioner.



The user should be advised to contact their practitioner if their condition changes.



Ensure only suitably retrofitted vehicles are used when driving. All persons are required to observe their respective driving laws when operating motor vehicles.



To minimize the risk of slipping and tripping, appropriate footwear that fits securely onto the foot shell must be used at all times.



The device is not intended for use when immersed in water or as a shower prosthesis. If the limb comes into contact with water wipe dry immediately.



Be aware of finger trap hazard at all times

4 Function

This device comprises an e-carbon toe and independent heel spring. The carrier assembly contains a spring component which allows the pyramid tube to deflect and/or rotate through a limited range under an axial and/or torsional load. When the load is removed the spring returns to its original position. The effect of this movement is to attenuate any shock forces that would otherwise be transmitted to the residuum/socket interface both in axial and rotational directions.

Heel and toe springs are attached to the carrier assembly using titanium screws. The foot is wrapped in a UHM PE sock which is in turn surrounded by a PU foot shell.

5 Maintenance

Visually check the device regularly.

Report any changes in performance of this device to the practitioner/service provider e.g. unusual noises, increased stiffness or restricted/excessive rotation, significant wear or excessive discoloration from long term exposure to UV.

Inform the practitioner/service provider of any changes in body weight and/or activity level.

Cleaning

Use a damp cloth and mild soap to clean outside surfaces, do not use aggressive cleansers.

The remaining instructions in this section are for practitioner use only.

This maintenance must be carried out only by competent personnel (practitioner or suitable trained technician).

The following routine maintenance is to be carried out at least annually:

- Remove foot shell and glide sock, check for damage or wear and replace if necessary.
- Check all screws for tightness, see *Construction* section; clean and reassemble as necessary.
- Check heel and toe springs for signs of delamination or wear and replace if necessary. Some minor surface damage may occur after a period of use, this does not affect the function or strength of the foot.

Instructions to remove the foot shell and replace the foot-springs are included in Foot Shell Removal & Foot Spring Replacement section.

If necessary, re-lubricate the spring's bearing surfaces. To do this:

- Disassemble the device as shown in the Axial Shock Spring Replacement instructions.
- Apply 'Sapphire Endure' (928015) or equivalent PTFE loaded grease to the bearing surface, then reassemble.

Ensure the user has read and understood all safety and user-level maintenance information.

Advise the user that a regular visual check of the foot is recommended and signs of wear that may affect function should be reported to their service provider (e.g. significant wear or excessive discoloration from long term exposure to UV).

If this device is used for extreme activity, the maintenance level and interval should be reviewed and if required advice and technical support sought to plan a new maintenance schedule dependent upon the frequency and nature of the activity. This should be determined by a local risk assessment carried out by a suitably qualified individual.

6 Limitations on Use

Intended Life

A local risk assessment should be carried out based upon activity and usage.

Lifting Loads

Users weight and activity is governed by the stated limits.

Load carrying by the users should be based on a local risk assessment.

Environment

Avoid exposing this device to corrosive elements such as water, acids and other liquids. Also avoid abrasive environments such as those containing sand for example as these may promote premature wear.

Exclusively for use between -15 °C and 50 °C
(5 °F and 122 °F).

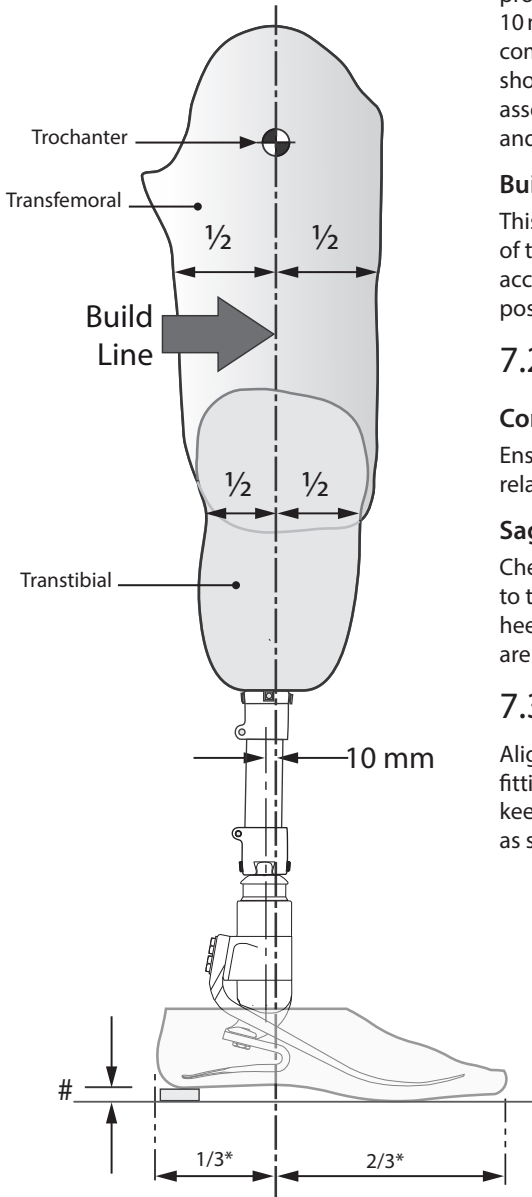


Suitable for outdoor use

7 Bench Alignment

The instructions in this section are for practitioner use only.

7.1 Static Alignment



Set-up Length

With flexion, adduction and abduction properly accommodated, set the limb length 10 mm longer than the sound side to allow for compression and deflection of the foot & axial shock springs during gait. This should be re-assessed before the dynamic trial commences and the length adjusted accordingly.

Build Line

This should fall 10 mm anterior to the centre of the pyramid (with heel height properly accommodated). The socket should be positioned accordingly.

7.2 Dynamic Alignment

Coronal Plane

Ensure that M-L thrust is minimal by adjusting relative positions of socket and foot.

Sagittal Plane

Check for smooth transition from heel strike to toe-off. Ensure also that when standing the heel and toe are evenly loaded and that both are touching the floor.

7.3 Transfemoral Alignment

Align transfemoral components according to fitting instructions supplied with the knee, keeping the build line relative to this device, as shown.

#Allow for users own footwear

*Approximate Ratio

8 Fitting Advice

The instructions in this section are for practitioner use only.

Springs are supplied as matched sets i.e. the heel, toe and axial springs are designed to work together to give smooth progression for most users.

Heel Wedge

A heel wedge is supplied with the foot. Fitting the wedge will have the effect of stiffening the heel spring. These can be taped in place for trial. For permanent fitting, wedges should be adhered in place by application of Loctite 424 (926104) between the lower contacting surface of the heel and the wedge.

Heel Stiffness

Progression throughout the stance phase should be smooth; heel function is key to this process:

- Too soft a heel or load line excessively posterior will result in sinking at heel strike and difficulty in getting over the toe.
- Too hard a heel or load line excessively anterior will result in a rapid progression through mid-stance or jarring at heel strike.

Axial Stiffness

The axial spring controls both compressive and torsional resilience. Typical vertical movement should be between 3-6 mm for normal walking. Alternative stiffness springs are available if required.

| | Symptoms | Remedy |
|----------------------------|--|---|
| Heel too soft | <ul style="list-style-type: none">• Sinking at heel strike• Difficulty climbing over the toe (toe feels too hard) | <ol style="list-style-type: none">1. Add heel wedge2. Move socket anteriorly in relation to the foot (excess movement may result in drop-off)3. If 1 and 2 fail, fit a stiffer spring set |
| Heel too hard | <ul style="list-style-type: none">• Rapid transition from heel strike through stance phase• Difficulty in controlling heel action, foot jars into mid-stance• Foot feels too rigid | <ol style="list-style-type: none">1. Remove heel wedge (if fitted)2. Move socket posteriorly in relation to foot3. If 1 and 2 fail, fit softer spring set |
| Toe/ Blade too soft | <ul style="list-style-type: none">• Rapid progression through mid-stance.• 'Drop off' at higher Activity Levels | <ol style="list-style-type: none">1. Move socket posteriorly in relation to foot2. Plantarflex foot slightly - note: some re-alignment may be required |

Note... Please contact your supplier if it is not possible to achieve a smooth gait after following the advice above.

9 Foot Shell Removal & Foot Spring Replacement

The instructions in this section are for practitioner use only.



Use appropriate health and safety equipment at all times including extraction facilities.



Be aware of finger trap hazard at all times.

1



13A/F



Remove toe spring screws (13A/F spanner 940273).

2



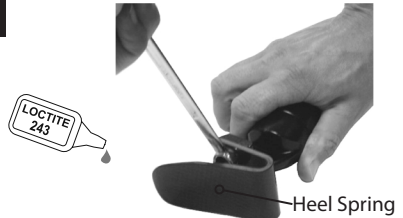
Withdraw toe spring from shell.

3



Rotate the carrier/heel spring assembly toward the rear of the foot to dis-engage the spring from its location in the shell.

4



Undo and remove heel spring screws. Assemble new heel spring onto carrier, use Loctite 243 (926012) and torque to 15 Nm. Use special Allen wrench 940080, Torque spanner adaptor 940081 or 13A/F spanner 940273

5



Attach the toe spring to the carrier using Loctite 243 (926012) on the bolts.



1. For spring rates 1 to 7 use 4 A/F Allen wrench and torque to 15 Nm. Do not use external hex, this is reserved for loosening the bolt, if required.

2. For spring rates 8 and 9 use 13 A/F spanner and torque to 25 Nm.

6



If a foam cosmesis is to be fitted, roughen top surface of foot shell to provide ideal bonding surface.

7



Mark carrier with spring category as appropriate and fit glide sock as shown.

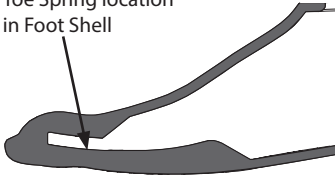
8



Insert assembly into foot shell, push toe spring, carrier and heel assembly forward in the foot shell as far as possible.

9

Toe Spring location
in Foot Shell



Ensure toe spring's correct fit into location slot in foot shell.

10



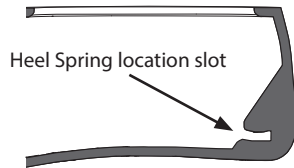
Slide a metal shoe horn between heel spring and back of foot shell opening. Lever the spring down into the foot shell while pushing the whole assembly downwards.

11



The shoe horn should be located approx. 30 mm below top surface of foot shell to ensure full engagement of heel spring.

12



Ensure heel spring's correct fit into location slot in foot shell.

13

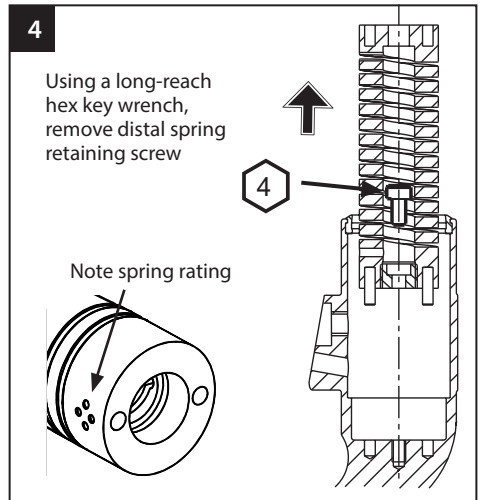
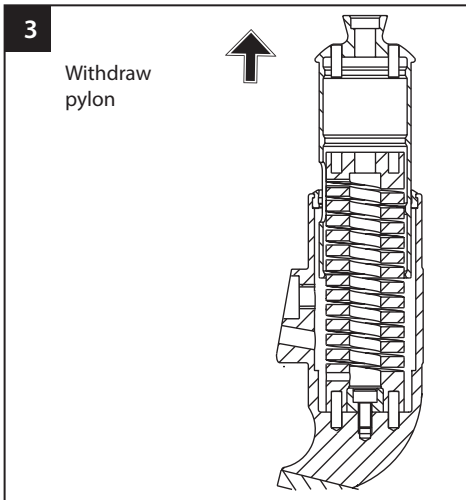
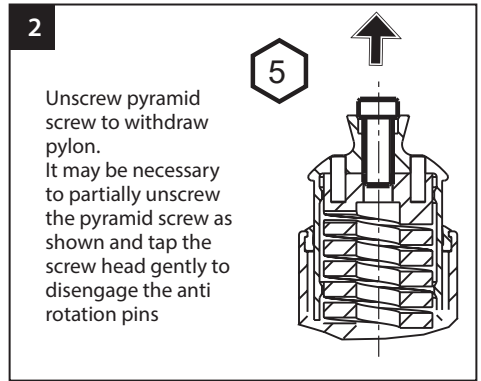
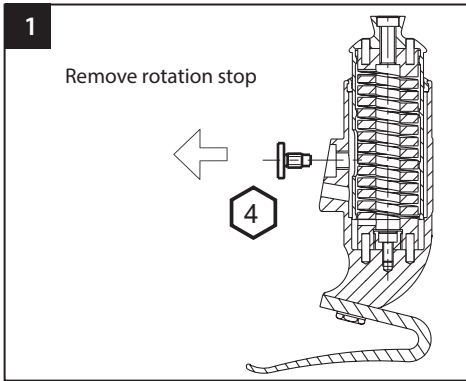


Bond foam cosmesis to top surface of the foot shell as shown using Thixofix adhesive (926204) or equivalent and shape to suit.

10 Axial Shock Spring Replacement

The instructions in this section are for practitioner use only.

Remove from foot shell as shown previously



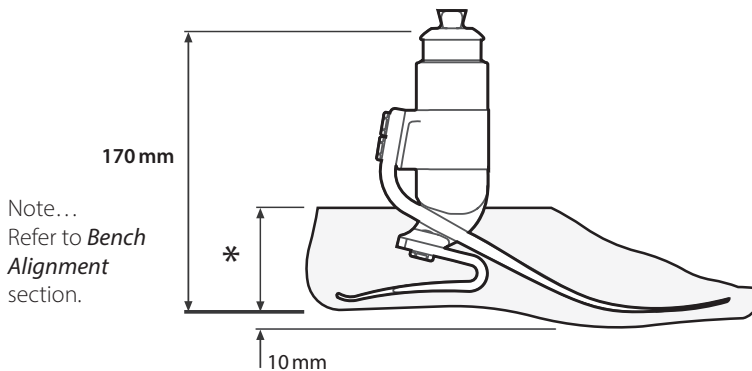
Re-lubricate bearing surface with 'Sapphire Endure' (928015) or equivalent PTFE loaded grease if necessary.

Re-assembly is the reverse of above, note the position and location of anti-rotation pins in the axial spring and the orientation of the slot in the pylon (posterior). Apply Loctite and apply torque to screws as shown in the *Construction* section.

11 Technical Data

| | |
|--|-------------------------------------|
| Operating and Storage Temperature Range: | -15 °C to 50 °C (5 °F to 122 °F) |
| Component Weight (size 26): | 1000 g (2 lb 2 oz) |
| Activity Level: | 3-4 |
| Maximum User Weight: | 166 kg (365 lb) |
| Range of Adjustment | ±7° angular |
| Maximum Rotation | ±15° |
| Typical Axial Movement | 3-6 mm (max. 10 mm) |
| Proximal Attachment: | Male pyramid (Blatchford) |
| Build Height: | 170 mm |
| Heel Height | 10 mm |

Fitting Length



Note...
Refer to *Bench Alignment* section.

- * Sizes
- 22-26 = 65 mm
- 27-28 = 70 mm
- 29-30 = 75 mm

12 Ordering Information

Order Example

| | | | | | | |
|------------|-----------|---------------|-----------------|---------------|-----------------|---------------|
| EVT | 25 | L | N | 7 | 3 | S |
| | Size | Side (L/R) | Width* (N/W) | Spring Set | Shock Spring | Sandal Toe |

Available from
size 22 to size 30:
EVT22L11S to EVT30R94S
EVT22L11SD to EVT30R94SD
(add 'D' for a dark tone foot shell)

e.g. EVT25LN73S

*Sizes 25-28 only. For all other sizes, omit the Width field.

Spring Kit

| Spring Kit | Foot Size | | | |
|--------------|-----------|---------|---------|---------------|
| | 22-24 | 25-26 | 27-28 | 29-30 |
| Set 1 | 539701S | 539710S | 539719S | Special order |
| Set 2 | 539702S | 539711S | 539720S | Special order |
| Set 3 | 539703S | 539712S | 539721S | 539730S |
| Set 4 | 539704S | 539713S | 539722S | 539731S |
| Set 5 | 539705S | 539714S | 539723S | 539732S |
| Set 6 | 539706S | 539715S | 539724S | 539733S |
| Set 7 | 539707S | 539716S | 539725S | 539734S |
| Set 8 | 539708S | 539717S | 539726S | 539735S |
| Set 9 | | 539718S | 539727S | 539736S |

Foot Shell (For dark add 'D')

| Size/Side | Narrow | Wide |
|-----------|----------|----------|
| 22L | 539038S | - |
| 22R | 539039S | - |
| 23L | 539040S | - |
| 23R | 539041S | - |
| 24L | 539042S | - |
| 24R | 539043S | - |
| 25L | 539044SN | 539044SW |
| 25R | 539045SN | 539045SW |
| 26L | 539046SN | 539046SW |
| 26R | 539047SN | 539047SW |
| 27L | 539048SN | 539048SW |
| 27R | 539049SN | 539049SW |
| 28L | 539050SN | 539050SW |
| 28R | 539051SN | 539051SW |
| 29L | - | 539052S |
| 29R | - | 539053S |
| 30L | - | 539054S |
| 30R | - | 539055S |

Axial Shock Springs

| | |
|---------------|--------|
| Rate 1 | 539058 |
| Rate 2 | 539059 |
| Rate 3 | 539060 |
| Rate 4 | 539061 |

Glide Sock

| | |
|--------------------|--------|
| Sizes 22-24 | 531011 |
| Sizes 25-30 | 532811 |

Liability

The manufacturer recommends using the device only under the specified conditions and for the intended purposes. The device must be maintained according to the instructions for use supplied with the device. The manufacturer is not liable for any adverse outcome caused by any component combinations that were not authorized by them.

CE Conformity

This product meets the requirements of the European Regulation EU 2017/745 for medical devices. This product has been classified as a class I device according to the classification rules outlined in Annex VIII of the regulation. The EU declaration of conformity certificate is available at the following internet address: www.blatchford.co.uk



Medical Device



Single Patient – multiple use

Compatibility

Combination with Blatchford branded products is approved based on testing in accordance with relevant standards and the MDR including structural test, dimensional compatibility and monitored field performance.

Combination with alternative CE marked products must be carried out in view of a documented local risk assessment carried out by a Practitioner.

Warranty

This device is warranted for 36 months - foot shell 12 months - glide sock 3 months. The user should be aware that changes or modifications not expressly approved could void the warranty, operating licenses and exemptions. See Blatchford website for the current full warranty statement.

Reporting of Serious Incidents

In the unlikely event of a serious incident occurring in relation to this device it should be reported to the manufacturer and your national competent authority.

Environmental Aspects

Where possible the components should be recycled in accordance with local waste handling regulations.

Retaining the Packaging Label

The practitioner is advised to keep the packaging label as a record of the device supplied.

Trademark Acknowledgements

Elite Foot and Blatchford are registered trademarks of Blatchford Products Limited.

Manufacturer's Registered Address

Blatchford Products Limited, Lister Road, Basingstoke RG22 4AH, UK.

| | |
|---|----|
| Indhold..... | 17 |
| 1 Beskrivelse og tilsigtet formål..... | 18 |
| 2 Sikkerhedsinformation..... | 20 |
| 3 Konstruktion | 21 |
| 4 Funktion..... | 22 |
| 5 Vedligeholdelse | 22 |
| 6 Begrænsninger i forbindelse med brugen..... | 23 |
| 7 Bænktilpasning | 24 |
| 7.1 Statisk tilpasning | 24 |
| 7.2 Dynamisk tilpasning | 24 |
| 7.3 Transfemoral tilpasning | 24 |
| 8 Rådgivning vedrørende tilpasning | 25 |
| 9 Aftagning af fodskal og udskiftning af fodprotesens fjedre..... | 26 |
| 10 Udskiftning af aksialt støddæmpende fjeder | 28 |
| 11 Tekniske data | 29 |
| 12 Bestillingsoplysninger | 30 |

1 Beskrivelse og tilsigtet formål

Denne brugsanvisning er beregnet til brug for den praktiserende læge og brugeren, medmindre andet er angivet.

Udtrykket *anordning* anvendes i hele brugsanvisningen og henviser til EliteVT.

Gennemlæs venligst hele brugsanvisningen og sørg for, at du forstår den, særligt alle anvisninger vedrørende sikkerhedsinformation og vedligeholdelse.

Anvendelse

Denne anordning må udelukkende anvendes som en del af en underbensprotese.

Beregnet til en enkelt bruger.

En fod med høj returneringsenergi. Den uafhængige hæl- og tåfjeder sørger for aksial afbøjning. Den delte tå sørger for god kontakt med underlaget. Anordningen omfatter også et fjederelement, som er i stand til at absorbere stød i aksial retning eller under drejning, og den er beregnet til at mindske overdreven belastning på grænsen mellem stumpen/hylstret.

Funktioner

- Præcisionsfjeder af titanium til vertikal kompression og aksial drejning
- Lineært respons over for aksial belastning
- Effektiv energireturnering
- Uafhængige fodfjedre af e-carbon
- Hælkile til justering af fjederstivhed

Aktivitetsniveau

Denne anordning anbefales til brugere, som vil være i stand til at opnå aktivitetsniveau 3 eller 4. Der er naturligvis undtagelser, og i vores anbefaling tager vi højde for unikke, individuelle omstændigheder, og enhver sådan beslutning skal træffes med en velfunderet og grundig begrundelse.

Aktivitetsniveau 1

Har evnen eller potentialet til at bruge en protese til overførsler eller gang på plane overflader med en jævn gangrytme. Typisk for en person, der bruger protesen til begrænset og ubegrænset gang indendørs.

Aktivitetsniveau 2

Har evnen eller potentialet til gang og kan krydse lave forhindringer i omgivelserne såsom kantsten, trappetrin eller ujævne overflader. Typisk for en person, der bruger protesen til begrænset udendørs gang.

Aktivitetsniveau 3

Har evnen eller potentialet til gang med en skiftende gangrytme.

Typisk for en person, der kan gå udendørs, kan krydse de fleste forhindringer i omgivelserne, og kan have erhvervsmaessig-, terapeutisk- eller træningsaktivitet, der kræver brug af protesen til andet end simpel bevægelse.

Aktivitetsniveau 4

Har evnen eller potentialet til at gå med en benprotese, der overgår almindelige gangfærdigheder og kan klare høje niveauer af nedslag, stres og energi. Typisk for barnets, den aktive voksne eller atletens krav til en benprotese.

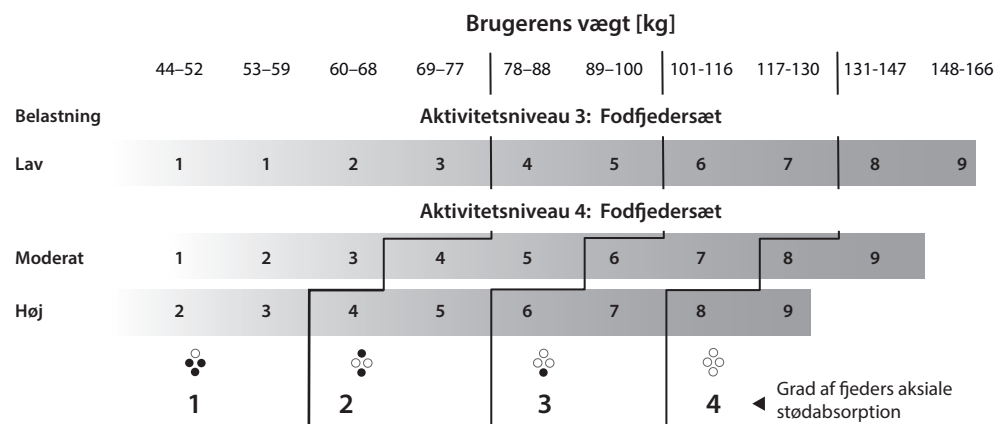
Kontraindikationer

Denne anordning er muligvis ikke egnet til personer med aktivitetsniveau 1, eller som dyrker konkurrencesport, eftersom disse typer af brugere vil være bedre tjent med en specialfremstillet protese, som er optimeret til deres behov.

Kliniske fordele

- Giver mulighed for variabel løbehastighed
- Øget ganghastighed sammenlignet med stive pyloner
- Høje mobilitetsniveauer for aktive brugere sammenlignet med en fod-uden-bevaring-af-returenergi. Hydraulisk ankel, fod som kan flektere og fleksion under gang.
- Forbedret proteseafsæt sammenlignet med fodproteser med polstret hæl og fast ankel
- Forbedret arbejdsbidrag fra protesen under afsættet sammenlignet med fodproteser med lavere aktivitet
- Høj tilfredsgrad, særligt hos brugere med høj aktivitet
- Mindsket belastningsgrad på stumpen sammenlignet med stive pyloner
- Færre rygsmarter under vridebevægelser sammenlignet med stive pyloner

Valg af fjedersæt



Lav Daglige gåture og lejlighedsvis sportsudøvelse såsom golf og vandreture

Moderat Hurtig gang, hyppig eller lejlighedsvis sportsudøvelse såsom jogging

Høj Daglige aktiviteter såsom løb, klatring, løft og transport af tunge genstande til erhvervsformål



Advarsel: For brugere, som udsættes for stor belastning, må vægtgrænsen for individuelle fjedre ikke overskrides.

Bemærk... Hvis du er i tvivl om, hvilken af to kategorier du skal vælge, skal du vælge fjedersættet med de kraftigste fjedre.

Anbefalingerne for de viste fodfjedersæt er til transtibiale brugere.

Vi anbefaler, at der for transfemorale brugere vælges et fjedersæt, der er én kategori lavere.

Når fjedrene er monteret, skal de relevante linjer på bæreenheden dækkes med en permanent sort tushpen, således at fjedersættets nummer er synligt.



2 Sikkerhedsinformation



Dette advarselssymbol fremhæver vigtig sikkerhedsinformation, som skal følges nøje.



Enhver ændring i protesens ydeevne eller funktion, f.eks. begrænset eller overdreven bevægelse, ujævn bevægelse eller mislyde, skal omgående rapporteres til serviceudbyderen.



Brug altid et gelænder, når du går ned ad trapper og på alle andre tidspunkter, når der forefindes gelænder.



Anordningen er ikke egnet til ekstremsport, konkurrenceløb eller cykelløb, sportsudøvelse på is eller i sne, ekstreme hældninger og trappetrin. Alle slags aktiviteter af denne art er udelukkende på brugerens egen risiko. Motionscykling eller motionsløb kan accepteres.



Montering, vedligeholdelse og reparation af anordningen må kun udføres af en kvalificeret person.



Brugeren bør rådes til at kontakte sin praktiserende læge, hvis hans eller hendes tilstand ændres.



Sørg for, at der kun anvendes hensigtsmæssigt eftermonterede køretøjer under kørsel i bil. Alle personer er forpligtet til at overholde deres respektive kørebestemmelser, når de betjener motorkøretøjer.



For at minimere risikoen for at glide og snuble skal der altid anvendes passende fodtøj, der sidder sikkert fast på fodskallen.



Anordningen er ikke beregnet til anvendelse i vand, eller når der tages brusebad. Hvis protesen kommer i kontakt med vand, skal den omgående tørres.

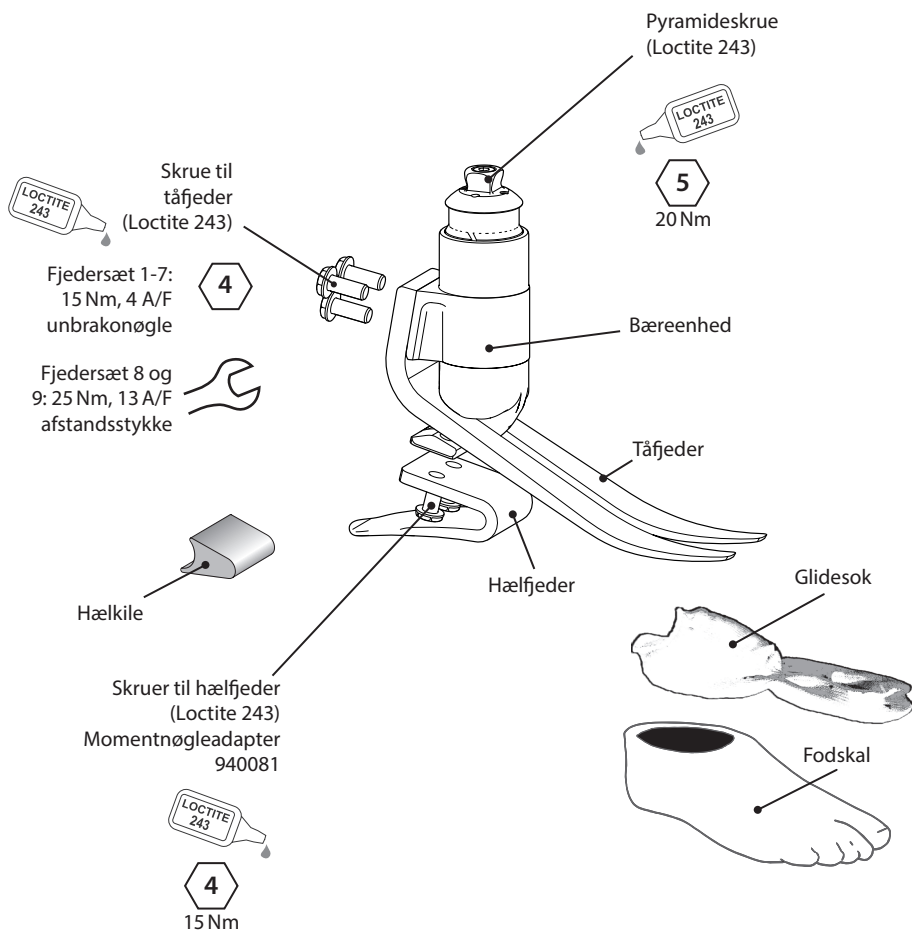


Vær til enhver tid opmærksom på risikoen for at få fingrene i klemme

3 Konstruktion

Vigtige dele

- Bæreenhed aluminium/titanium/rustfrit stål
- Hæl- og tåfjedre e-carbon
- Skruer til fjederfastholdelse titanium
- Glidesok UHM PE (polyethylen med ultrahøj molekylvægt)
- Fodskal PU (polyurethan)



4 Funktion

Denne anordning består af en tå af e-carbon og en uafhængig hælfjeder. Bæreenheden indeholder en fjederkomponent, som tillader afbøjning og/eller drejning af pyramiderøret i et begrænset område under aksial belastning og/eller belastning i drejning. Når belastningen fjernes, vender fjederen tilbage til sin oprindelige position. Formålet med denne effekt er at svække alle stødpåvirkninger, som ellers ville blive overført til kontaktfladen mellem stumpen/hylstret i både aksial retning og ved rotation.

Hæl- og tåfjedrene sidder fast på bæreenheden med titaniumskruer. Foden er pakket ind i en UHM PE-sok, som igen er omgivet af en PU-fodskal.

5 Vedligeholdelse

Efterse anordningen med jævne mellemrum.

Rapportér eventuelle ændringer i denne anordnings ydeevne til den praktiserende læge/serviceudbyderen, f.eks. mislyde, øget stivhed eller begrænset/overdreven rotation, betydelig slitage eller kraftig misfarvning på grund af langvarig eksponering for UV.

Informér den praktiserende læge/serviceudbyderen, hvis der er ændringer kropsvægt og/eller aktivitetsniveau.

Rengøring

Brug en fugtig klud og mild sæbe til at rengøre udvendige overflader. Brug ikke aggressive rengøringsmidler.

De resterende anvisninger i dette afsnit er kun beregnet for den praktiserende læge.

Denne vedligeholdelse må kun udføres af kompetent personale (praktiserende læge eller uddannet tekniker).

Følgende rutinevedligeholdelse skal udføres mindst en gang om året:

- Fjern fodskallen og glidesokken, kontrollér for beskadigelse eller slitage, og udskift om nødvendigt.
- Kontrollér, at alle skruer er godt strammet til, se afsnittet *Konstruktion*. Rengør og saml igen efter behov.
- Efterse hæl- og tåfjedre for tegn på delaminering eller slitage, og udskift om nødvendigt. Der kan opstå lettere overfladiske skader efter en brugsperiode. Dette påvirker ikke fodens funktion eller styrke.

Anvisninger i aftagning af fodskallen og udskiftning af fodprotesens fjedre findes i afsnittet Aftagning af fodskal og udskiftning af fodprotesens fjedre.

Smør fjederens bærende overflader igen om nødvendigt. For at gøre dette:

- Afmontér anordningen, som vist i Anvisninger vedrørende udskiftning af aksialt støddæmpende fjeder.
- Påfør 'Sapphire Endure' (928015) eller tilsvarende PTFE-smørelse på de bærende overflader, og monter igen.

Sørg for, at brugeren har læst og forstået alle oplysninger om sikkerhed og vedligeholdelse på brugerniveau.

Informér brugeren om, at jævnlig visuel inspektion af foden anbefales, og at tegn på slid, der kan påvirke funktionen, skal rapporteres til serviceudbyderen (f.eks. betydeligt slid eller kraftig misfarvning på grund af langvarig eksponering for UV).

Hvis denne anordning bruges til ekstrem aktivitet, skal niveauet og intervallet for vedligeholdelse gennemgås, og hvis det er nødvendigt, skal der søges råd og teknisk support til at lægge en ny vedligeholdelsesplan afhængigt af aktivitetens hyppighed og art. Denne bør fastslås med en lokal risikovurdering, som skal udføres af en person med relevante kvalifikationer.

6 Begrænsninger i forbindelse med brugen

Forventet levetid

En lokal risikovurdering baseret på aktivitet og brugslængde skal udføres.

Belastning ved løft af byrder

Brugerens vægt og aktivitet er underlagt de angivne grænser.

Byrder, der må bæres af brugeren, skal baseres på en lokal risikovurdering.

Miljø

Undgå at udsætte anordningen for korroderende elementer som f.eks. vand, syrer eller væsker. Undgå også slibende miljøer som f.eks. dem, der indeholder sand, eftersom disse kan fremme førtidigt slid.

Må kun anvendes ved temperaturer mellem -15 °C og 50 °C.

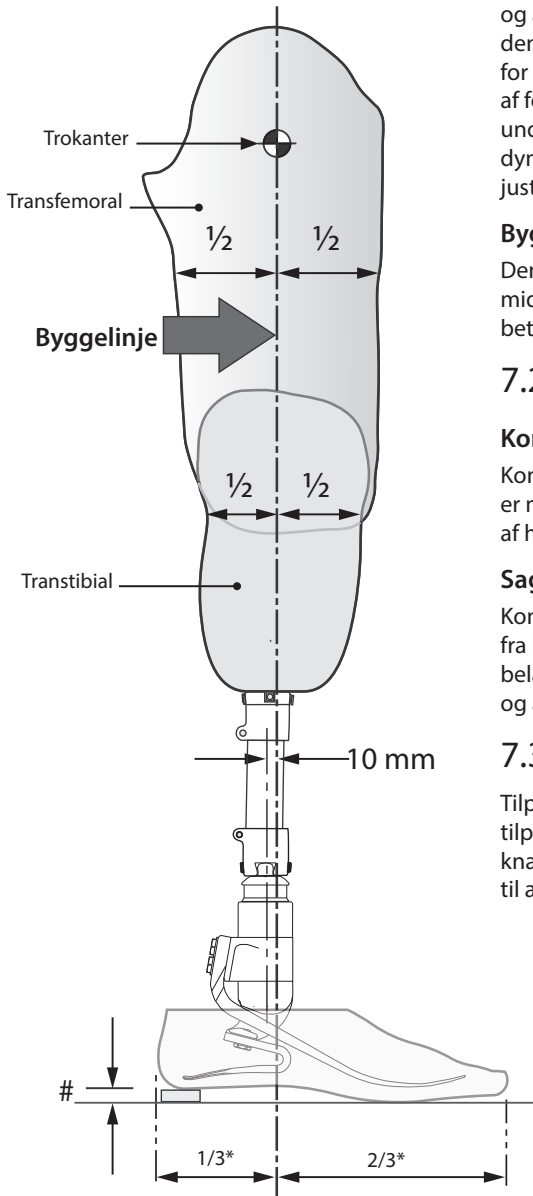


Egnet til udendørs brug

7 Bænktilpasning

Anvisningerne i dette afsnit er kun beregnet til brug for den praktiserende læge.

7.1 Statisk tilpasning



Opsætningslængde

Når der er taget højde for fleksion, adduktion og abduktion, skal benlængden justeres, indtil den er 10 mm længere end den raske side for at muliggøre kompression og afbøjning af foden og de aksialt støddæmpende fjedre under gang. Dette bør genevalueres inden den dynamiske prøvning starter, og længden skal justeres tilsvarende.

Byggelinje

Denne skal være 10 mm anteriori i forhold til midten af pyramiden (med hælhøjden taget i betragtning). Hylstret skal placeres derefter.

7.2 Dynamisk tilpasning

Koronalt plan

Kontrollér, at M-L-trykkraften (medialt-lateralt) er minimal ved at justere de relative positioner af hylster og fod.

Sagittalt plan

Kontrollér, at der er en glidende overgang fra hælisæt til tåafsæt. Sørg også for at belastningen på hælen og tåen er ens, og at begge rører gulvet i stående stilling.

7.3 Transfemorale tilpasning

Tilpas transfemorale komponenter ifølge tilpasningsanvisningerne, der følger med knæprotesen. Byggelinjen skal holdes relativt til anordningen som vist.

#Muliggør brug af brugerens eget fodtøj

*Omtrentlig ratio

8 Rådgivning vedrørende tilpasning

Anvisningerne i dette afsnit er kun beregnet til brug for den praktiserende læge.

Fjedre leveres som matchede sæt, dvs. hælfjedre, tåfjedre og aksiale fjedre er designet til at arbejde sammen for at give jævn fremføring for de fleste brugere.

Hælkile

Der følger en hælkile med foden. Når hælkilen monteres, afstives hælfjederen. Disse kan tapes sammen under prøvningen. For at opnå permanent tilpasning skal hælkiler sættes fast ved at påføre Loctite 424 (926104) mellem hælsens nedre kontaktflade og hælkilen.

Hælstivhed

Fremføringen igennem hele standfasen skal være jævn; hælfunktionen er essentiel for denne proces:

- Hvis hælen er for blød, eller belastningslinjen for bagudrettet, vil det resultere i, at man synker sammen under hælissættet og får vanskeligheder med afvikling hen over tåen.
- Hvis hælen er for hård, eller belastningslinjen for forudrettet, vil det resultere i hurtig fremføring i standfasen eller stødbevægelse under hælissættet.

Aksial stivhed

Den aksiale fjeder styrer både modstandsdygtighed over for kompression og vrid. Typisk vertikal bevægelse skal ligge i området 3-6 mm under normal gang. Fjedre med alternativ stivhed er tilgængelige om nødvendigt.

| | Symptomer | Afhjælpning |
|-------------------|--|---|
| Hælen for blød | <ul style="list-style-type: none">• Nedsynkning ved hælissæt• Problemer med at klatre over tåen (tåen føles for hård) | <ol style="list-style-type: none">1. Anvend hælkile2. Flyt hylstret anteriort i forhold til foden (overdreven bevægelse kan resultere i, at protesen løsner sig)3. Anvend et stivere fjedersæt, hvis 1 og 2 mislykkes |
| Hælen for hård | <ul style="list-style-type: none">• Hurtig overgang fra hælissæt til standfase• Problemer med at kontrollere hælbevægelse; foden foretager en stødbevægelse ind i standfasen• Foden føles for stiv | <ol style="list-style-type: none">1. Fjern hælkilen (hvis monteret)2. Flyt hylstret posteriort i forhold til foden3. Anvend et blødere fjedersæt, hvis 1 og 2 mislykkes |
| Tå/blad for blødt | <ul style="list-style-type: none">• Hurtig fremføring gennem standfasen.• 'Løsner sig' ved høje aktivitetsniveauer | <ol style="list-style-type: none">1. Flyt hylstret posteriort i forhold til foden2. Plantarflektér foden let – bemærk: en vis omjustering kan muligvis være nødvendig |

Bemærk... Du bedes kontakte din leverandør, hvis det ikke er muligt at opnå en jævn gang efter at ovenstående råd er blevet fulgt.

9 Aftagning af fodskal og udskiftning af fodprotesens fjedre

Anvisningerne i dette afsnit er kun beregnet til brug for den praktiserende læge.



Anvend altid passende sundheds- og sikkerhedsudstyr, herunder afmonteringsudstyr.



Vær til enhver tid opmærksom på risikoen for at få fingrene i klemme.

1



13A/F



Fjern skruerne til tåfjederen (13A/F afstandsstykke 940273).

2



Tag tåfjederen ud af fodskallen.

3



Drej bæreenheden/hælfjederenheden mod fodens bagende for at løsgøre fjederen fra dens placering i skallen.

4



Skru skruerne til hælfjederen ud. Monter den nye hælfjeder på bæreenheden ved brug af Loctite 243 (926012) og et moment på 15 Nm. Anvend specialunbrakonøgle 940080, momentnøgleadapter 940081 eller 13A/F afstandsstykke 940273.

5



Sæt tåfjederen fast på bæreenheden ved brug af Loctite 243 (926012) på boltene.

1. Brug en 4 A/F unbrakonøgle og et moment på 15 Nm til fjederkategori 1 til 7. Anvend ikke ekstern sekskantnøgle; den skal bruges til at løse boltene, hvis nødvendigt.

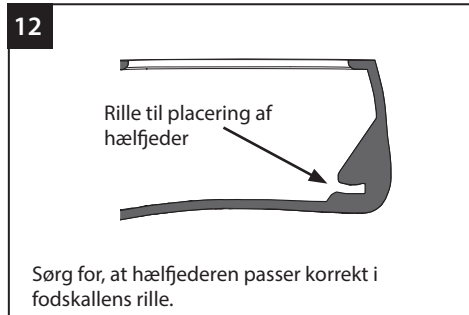
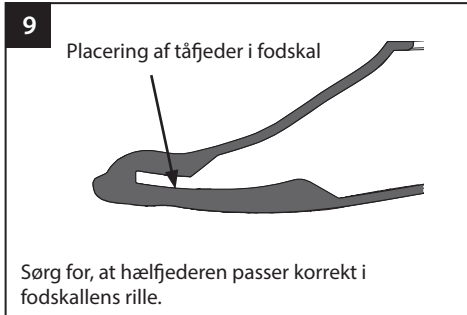
2. Brug en 13 A/F skiftsnøgle og et moment på 25 Nm til fjederkategori 8 og 9.



6



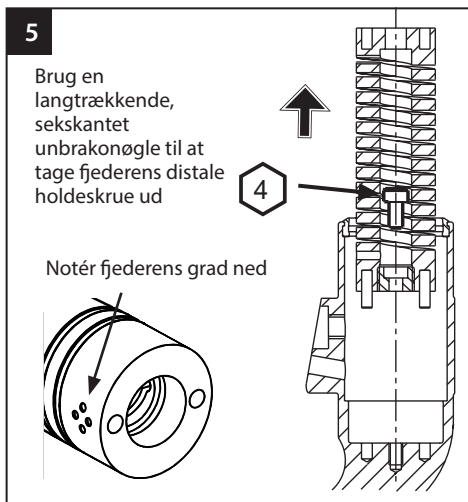
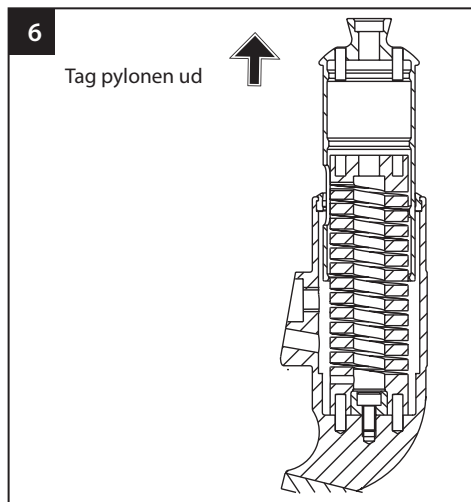
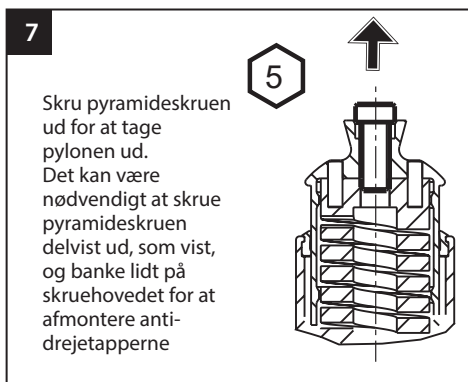
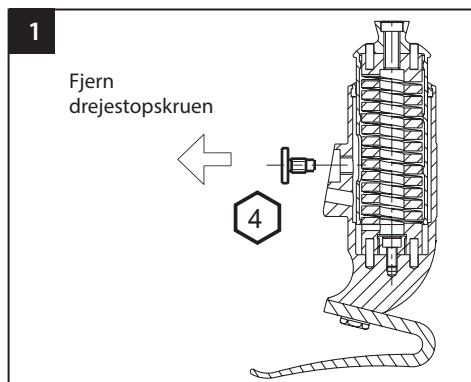
Hvis skumkosmetik skal påsættes, skal fodskallens øverste flade gøres ru for at skabe en ideel bindingsoverflade.



10 Udskiftning af aksialt støddæmpende fjeder

Anvisningerne i dette afsnit er kun beregnet til brug for den praktiserende læge.

Tag fjederen ud af fodskallen som vist tidligere



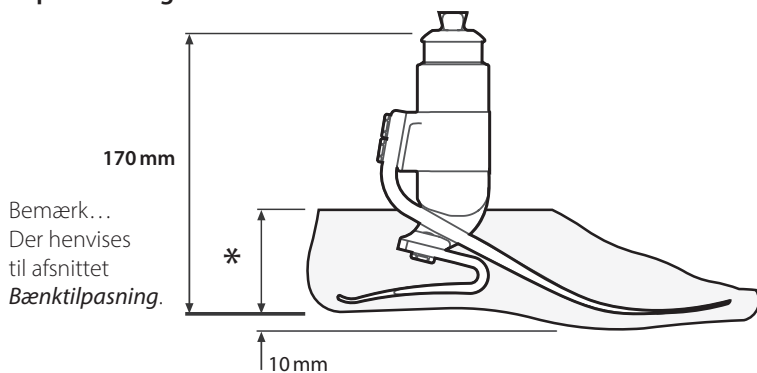
Smør fjederens bærende overflader igen om nødvendigt med 'Sapphire Endure' (928015) eller tilsvarende PTFE-smørelse på de bærende overflader.

Genmontering sker i omvendt rækkefølge. Bemærk position og placering af anti-drejetapperne i den aksiale fjeder og rillens orientering i pylonen (posterior). Påfør Loctite, og anvend et moment på skrueerne, som vist i afsnittet *Konstruktion*.

11 Tekniske data

| | |
|---|---------------------------|
| Temperaturområde for betjening og opbevaring: | -15 °C til 50 °C |
| Komponentvægt (størrelse 26): | 1000 g |
| Aktivitetsniveau: | 3-4 |
| Brugerens maksimale vægt: | 166 kg |
| Justeringsområde | ±7° vinkel |
| Maksimal drejning | ±15° |
| Typisk aksial bevægelse | 3-6 mm [maksimum 10 mm] |
| Proksimal vedhæftning: | Han-pyramide (Blatchford) |
| Byggehøjde: | 170 mm |
| Hælhøjde | 10 mm |

Tilpasset længde



* Størrelser
22-26 = 65mm
27-28 = 70mm
29-30 = 75mm

12 Bestillingsoplysninger

Bestillingseksempel

| | | | | | | |
|------------|-----------|-----------------------------------|------------------|-----------------|-----------------------------|----------|
| EVT | 25 | L | N | 7 | 3 | S |
| | Størrelse | Side (L/R) (venstre/ højre) | Bredde* (S/B) | Fjeders- sæt | Stødd- æmpende fjeder | Sandaltå |

f.eks. EVT25LN73S

*Kun størrelse 25-28. Brug ikke feltet Bredde til alle andre størrelser.

Fås fra størrelse 22
til størrelse 30:
EVT22L11S til EVT30R94S
EVT22L11SD til EVT30R94SD
(Tilføj 'D' for fodskal i mørk tone)

Fjedersæt

| Fjedersæt | Fodstørrelse | | | |
|-----------|--------------|---------|---------|--------------|
| | 22-24 | 25-26 | 27-28 | 29-30 |
| Sæt 1 | 539701S | 539710S | 539719S | Specialordre |
| Sæt 2 | 539702S | 539711S | 539720S | Specialordre |
| Sæt 3 | 539703S | 539712S | 539721S | 539730S |
| Sæt 4 | 539704S | 539713S | 539722S | 539731S |
| Sæt 5 | 539705S | 539714S | 539723S | 539732S |
| Sæt 6 | 539706S | 539715S | 539724S | 539733S |
| Sæt 7 | 539707S | 539716S | 539725S | 539734S |
| Sæt 8 | 539708S | 539717S | 539726S | 539735S |
| Sæt 9 | | 539718S | 539727S | 539736S |

Fodskal

(Tilføj 'D' for mørk (dark))

| Størrelse/ side | Smal | Bred |
|--------------------|----------|----------|
| 22L | 539038S | - |
| 22R | 539039S | - |
| 23L | 539040S | - |
| 23R | 539041S | - |
| 24L | 539042S | - |
| 24R | 539043S | - |
| 25L | 539044SN | 539044SW |
| 25R | 539045SN | 539045SW |
| 26L | 539046SN | 539046SW |
| 26R | 539047SN | 539047SW |
| 27L | 539048SN | 539048SW |
| 27R | 539049SN | 539049SW |
| 28L | 539050SN | 539050SW |
| 28R | 539051SN | 539051SW |
| 29L | - | 539052S |
| 29R | - | 539053S |
| 30L | - | 539054S |
| 30R | - | 539055S |

Aksialt støddæmpende fjedre

| | |
|--------|--------|
| Grad 1 | 539058 |
| Grad 2 | 539059 |
| Grad 3 | 539060 |
| Grad 4 | 539061 |

Glidesok

| | |
|-----------------|--------|
| Størrelse 22-24 | 531011 |
| Størrelse 25-30 | 532811 |

Ansvar

Producenten anbefaler, at anordningen udelukkende bruges under de specificerede forhold og til de tilsigtede formål. Anordningen skal vedligeholdes i henhold til brugsanvisningen, der følger med anordningen. Producenten er ikke ansvarlig for ethvert negativt resultat, som er forårsaget af komponentkombinationer, der ikke er godkendt af producenten.

CE-overensstemmelse

Dette produkt opfylder kravene i den Europæiske forordning EU 2017/745 for medicinsk udstyr. Dette produkt er klassificeret som klasse I-udstyr i henhold til klassificeringskriterierne, der er beskrevet i bilag VIII til forordningen. Certifikatet for EU-overensstemmelseserklæringen er tilgængeligt på følgende internetadresse: www.blatchford.co.uk



Medicinsk udstyr



Enkelt patient – flergangsbrug

Kompatibilitet

Kombination med Blatchford-mærkevarer er godkendt baseret på testning i overensstemmelse med relevante standarder og direktivet om medicinsk udstyr, herunder strukturel test, dimensionskompatibilitet og monitoreret feltpræstation.

Kombination med alternative CE-mærkede produkter skal udføres på grundlag af en dokumenteret lokal risikovurdering udført af en praktiserende læge.

Garanti

Der ydes 36 måneders garanti på anordningen – 12 måneder på fodskallen – 3 måneder på glidesokken. Brugeren skal være opmærksom på, at ændringer eller modifikationer, der ikke udtrykkeligt er godkendt, kan annullere garantien, driftslicenser og undtagelser. Besøg Blatchford-webstedet for at se den aktuelle fulde garantierklæring.

Rapportering af alvorlige hændelser

I det usandsynlige tilfælde, at der opstår en alvorlig hændelse i forbindelse med denne anordning, skal den rapporteres til producenten og den nationale tilsynsmyndighed.

Miljømæssige aspekter

Hvor det er muligt, skal komponenterne genbruges i overensstemmelse med lokale regler for affaldshåndtering.

Opbevaring af emballagens etiket

Den praktiserende læge rådes til at opbevare emballagens etiket som en fortegnelse over den leverede anordning.

Anerkendelse af varemærket

Elite Foot og Blatchford er registrerede varemærker tilhørende Blatchford Products Limited.

Producentens registrerede adresse

Blatchford Products Limited, Lister Road, Basingstoke RG22 4AH, Storbritannien.

| | |
|--|----|
| Innhold..... | 32 |
| 1 Beskrivelse og tiltenkt formål | 33 |
| 2 Sikkerhetsinformasjon..... | 35 |
| 3 Konstruksjon | 36 |
| 4 Funksjon | 37 |
| 5 Vedlikehold..... | 37 |
| 6 Bruksbegrensninger | 38 |
| 7 Benkejustering | 39 |
| 7.1 Statisk justering | 39 |
| 7.2 Dynamisk justering..... | 39 |
| 7.3 Transfemoral justering | 39 |
| 8 Råd for tilpasning | 40 |
| 9 Fjerning av fotkosmetikk og erstatning av fotfjær..... | 41 |
| 10 Bytte ut aksialstøtfjær | 43 |
| 11 Tekniske data | 44 |
| 12 Bestillingsinformasjon..... | 45 |

1 Beskrivelse og tiltenkt formål

Disse bruksanvisningene er for legen og brukeren, med mindre annet er oppgitt.

Ordet enhet brukes i denne bruksanvisning for å referere til EliteVT.

Les og sørg for at du forstår alle instruksjoner for bruk, særlig all sikkerhetsinformasjon og vedlikeholdsinstruksjoner.

Anvendelse

Denne enheten skal brukes utelukkende som en del av en protese for nedre ekstremitet.

Beregnet på én bruker.

En fot med høy energiretur. Uavhengig hæl- og tåfjær sørger for aksial avbøying. Den delte tåen sørger for god terrengtilpasning. Enheten inkluderer også et fjærelement som kan dempe aksielle og rotasjonsstøt, for å redusere skjæreb belastningen ved residuum/hylse-grensesnittet.

Funksjoner

- Presisjonsfjær i titan for vertikal kompresjon og aksial rotasjon
- Lineær respons på aksial belastning
- Effektiv energiretur
- Uavhengige fotfjærer av e-karbon
- Hælkile for justering av fjærens stivhet

Aktivitetsnivå

Denne enheten er anbefalt for brukere som kan oppnå aktivitetsnivå 3 eller 4. Det finnes selvsagt unntak, og i vår anbefaling ønsker vi å ta høyde for unike, individuelle omstendigheter. Enhver slik avgjørelse skal være velbegrunnet.

Aktivitetsnivå 1

Har evnen eller potensialet til å bruke protese for å reise seg eller sette seg ned, eller forflytte seg på jevne overflater med fast skritthastighet. Typisk for den begrensede og ubegrensede ambulatoren.

Aktivitetsnivå 2

Har evnen eller potensialet for ambulering med evnen til å gå på lave miljøbarrierer slik som fortauskanter, trapper eller ujevne overflater. Typisk for begrenset omreiser.

Aktivitetsnivå 3

Har evnen eller potensialet for ambulering med variabel kadens.

Typisk for den begrensede omreisende som har evnen til å krysse de fleste miljøbarrierer og kan ha yrkesaktiv, terapeutisk eller treningsaktivitet som krever protetisk utnyttelse utover enkel bevegelse.

Aktivitetsnivå 4

Har evnen eller potensialet for protetisk ambulering som overgår grunnleggende ambuleringsferdigheter, og viser høyt nivå av motstandsdyktighet, spenning og energi. Typisk for protesekravene hos et barn, en aktiv voksen eller konkurranseutøvere.

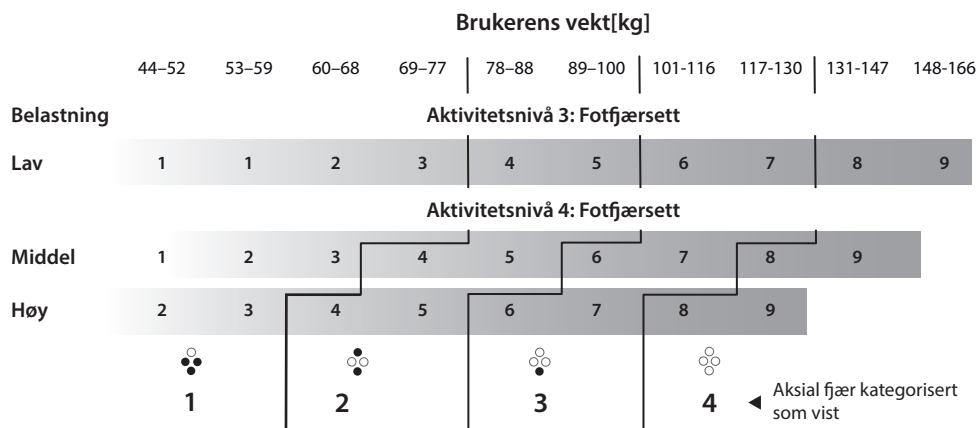
Kontraindikasjoner

Denne enheten er kanskje ikke egnet for personer på aktivitetsnivå 1 eller for konkurranseidrett. Slike brukere har bedre nytte av spesiallagede proteser optimert for deres behov.

Kliniske fordeler

- Gir ulike løpehastigheter
- Økt ganghastighet, sammenlignet med stive pylonproteser
- Høye mobilitetsnivåer for aktive brukere, sammenlignet med ikke-energibesparende og returnerende føtter, hydrauliske ankler, flex-foot-føtter og flex-walk-føtter.
- Bedre løftearbeid sammenlignet med SACH-føtter.
- Økt positivt arbeid gjort med protesen, sammenlignet med føtter for lavere aktivitet
- Høy grad av tilfredse brukere, spesielt brukere i høy aktivitet
- Redusert belastning på gjenværende lem, sammenlignet med stive pylonproteser
- Reduserte rygg smerter ved vridning, sammenlignet med stive pylonproteser

Valg av fjærsett



Lav Daglig gange og sporadisk mosjon slik som golf og fotturer

Middel Rask gange, hyppig eller daglig mosjon slik som jogging

Høy Daglige aktiviteter slik som løping, klatring, løfting og bæring av tunge gjenstander i yrkessammenheng



Advarsel: For storbelastningsbrukere må vektgrensen for individuelle fjærer ikke overskrides.

Merk... Hvis du er i tvil om å velge mellom to kategorier, velger du fjærsettet med hardest fjær.

Foot spring set recommendations shown are for transtibial users.

For transfemoral users we suggest selecting a foot spring set one category lower.

Når montert med fjærer, dekk til aktuelle linjer på ankelen med permanent svart markeringspenn slik at fjærsettnummeret vises.



2 Sikkerhetsinformasjon



Dette advarselssymbolet fremhever viktig sikkerhetsinformasjon som må følges nøye.



Eventuelle endringer i ytelsen eller funksjonen til protesen, f.eks. begrenset eller overdreven bevegelse, ujevn bevegelse eller uvanlige lyder skal umiddelbart rapporteres til leverandøren.



Bruk alltid et rekkverk når du går ned trapper og når som helst ellers hvis det er tilgjengelig.



Enheten er ikke egnet for ekstremsport, konkurranseløping, sykling, vinteridrett, svært bratte bakker/løyper og trappetrinn. Alle slike aktiviteter utføres helt og holdent på brukers egen risiko. Rekreasjonssykling eller -løping er akseptabelt.



Montering, vedlikehold og reparasjon av enheten må bare utføres av en kvalifisert lege.



Brukeren bør informeres om å kontakte legen sin hvis tilstanden endrer seg.



Forsikre deg om at bare kjøretøyer med passende ettermontering brukes når du kjører. Alle personer må overholde gjeldende vegtrafikklover når de bruker motorvogner.



For å minimere risikoen for å gli og snuble, må passende fottøy som passer sikkert på fotkosmetikken brukes til enhver tid.



Enheten er ikke egnet til bruk i vann eller som en dusjprotese. Hvis lemmet kommer i kontakt med vann, må det tørkes av umiddelbart.

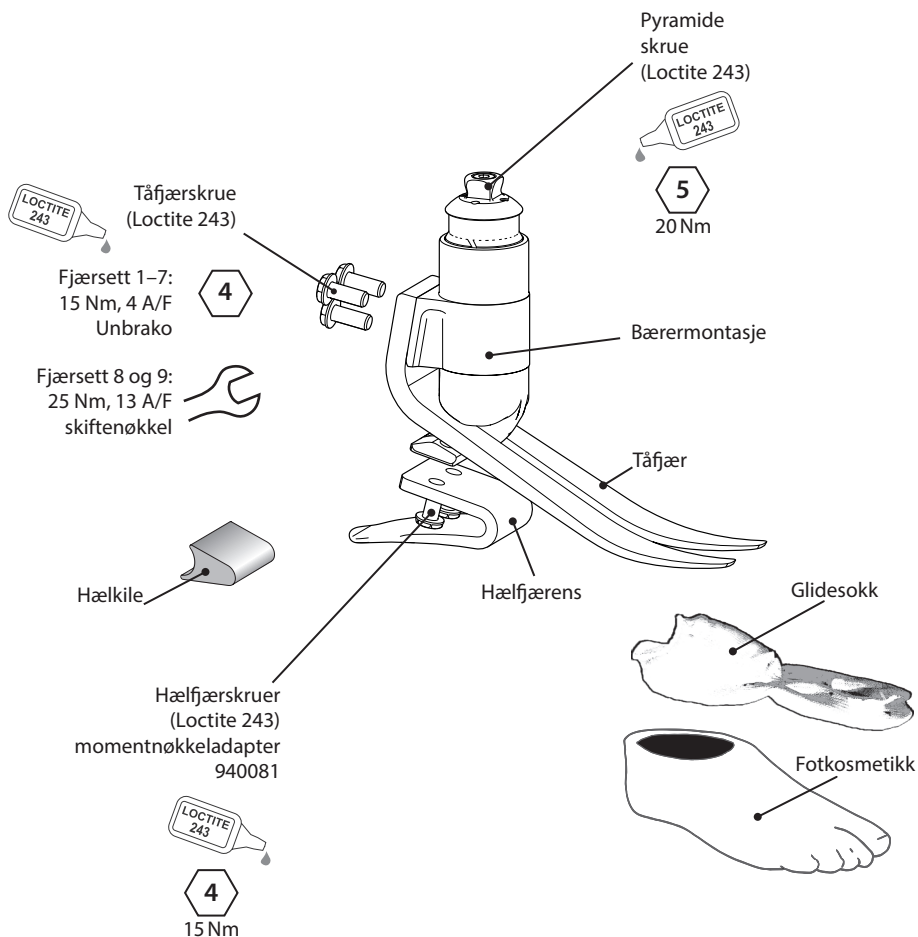


Vær alltid oppmerksom på fingerfellefare.

3 Konstruksjon

Hoveddeler

- Bærrermontasje Aluminium / titan / rustfritt stål
- Hæl- og tåfjærer e-karbon
- Fjærfesteskruer Titan
- Glidesokk UHM PE (ultrahøy molekylvekt polyetylen)
- Fotkosmetikk PU (polyuretan)



4 Funksjon

Denne enheten består av en tå og uavhengig hælfer i e-Carbon. Ankelen inneholder en fjærkomponent som gjør at pyramiderøret kan bøye seg og/eller rotere i et begrenset omfang under en aksial og/eller vridningsbelastning. Når belastningen fjernes, returnerer fjæren til sin opprinnelige stilling. Effekten av denne bevegelsen er å dempe støtkrefter som ellers ville blitt overført til residuum/hylse-grensesnittet, både i aksielle og rotasjonsretninger. Hæl- og tåfjærene er festet til ankelen med skruer av titan. Fotprotesen er innpakket i en UHM PE-sokk som igjen er innpakket i et PU-fotskall.

5 Vedlikehold

Sjekk enheten visuelt jevnlig.

Rapporter endringer i enhetens ytelse til legen/leverandøren, f.eks. uvanlige lyder, økt stivhet eller begrenset/overdreven rotasjon, betydelig slitasje eller overdreven misfarging ved langvarig eksponering for UV.

Informér legen/leverandøren om endringer i kroppsvekt og/eller aktivitetsnivå.

Rengjøring

Rengjør utvendig med en fuktig klut og mild såpe. Ikke bruk sterke rensemidler.

Resten av instruksjonene i avsnittet er kun for legens bruk.

Vedlikehold må utføres av kompetent personell (lege eller utdannet tekniker).

Følgende rutinemessig vedlikehold må gjennomføres minst én gang i året:

- Fjern fotskallet og glidesokken, se etter skade eller slitasje, og skift ut om nødvendig.
- Kontroller at alle skruer er strammet til, se avsnittet *Konstruksjon*; rengjør og sett sammen på nytt om nødvendig.
- Se etter tegn til delaminering eller slitasje på hæl- og tåfjær, og skift ut om nødvendig. Noe mindre overflateskade kan oppstå etter en periode med bruk. Dette påvirker ikke funksjonen eller styrken til foten.

Instruksjoner om fjerning av fotkosmetikk og erstatte fotfjæren er inkludert i avsnittet *Fjerning av fotkosmetikk og erstatning av fotfjær*.

Smør fjærens bæreoeverflater på nytt om nødvendig. For å gjøre dette:

- Demonter enheten som vist i instruksjonene om erstatning av aksial støtfjær.
- Bruk Sapphire Endure (928015) eller tilsvarende PTFE-lastet fett på bæreoeverflaten, og sett sammen på nytt.

Sørg for at brukeren har lest og forstått all informasjon om sikkerhet og vedlikehold på brukernivå.

Informér brukeren om at en regelmessig visuell sjekk av foten anbefales, og at tegn på slitasje som kan påvirke funksjonen skal rapporteres til leverandøren (f.eks. betydelig slitasje eller overdreven misfarging ved langvarig eksponering for UV).

Hvis denne enheten brukes til ekstreme aktiviteter, må vedlikeholds nivået og -intervallene revurderes. Oppsøk råd og teknisk støtte ved behov for å planlegge en ny vedlikeholdsplan, avhengig av hyppigheten og typen av aktivitet. Dette skal avgjøres ved hjelp av lokal risikovurdering utført av en kvalifisert person.

6 Bruksbegrensninger

Tiltenkt levetid

En lokal risikovurdering skal utføres basert på aktivitet og bruk.

Løftelast

Brukerens vekt og aktivitet er underlagt de angitte grensene.

Lasten som bæres av brukeren, skal være basert på en lokal risikovurdering.

Miljø

Unngå å eksponere enheten for korrosive elementer slik som vann, syrer og andre væsker. Unngå også friksjonsmiljøer, for eksempel miljøer med sand, da de kan føre til tidlig slitasje.

Kun for bruk mellom -15°C og $+50^{\circ}\text{C}$.

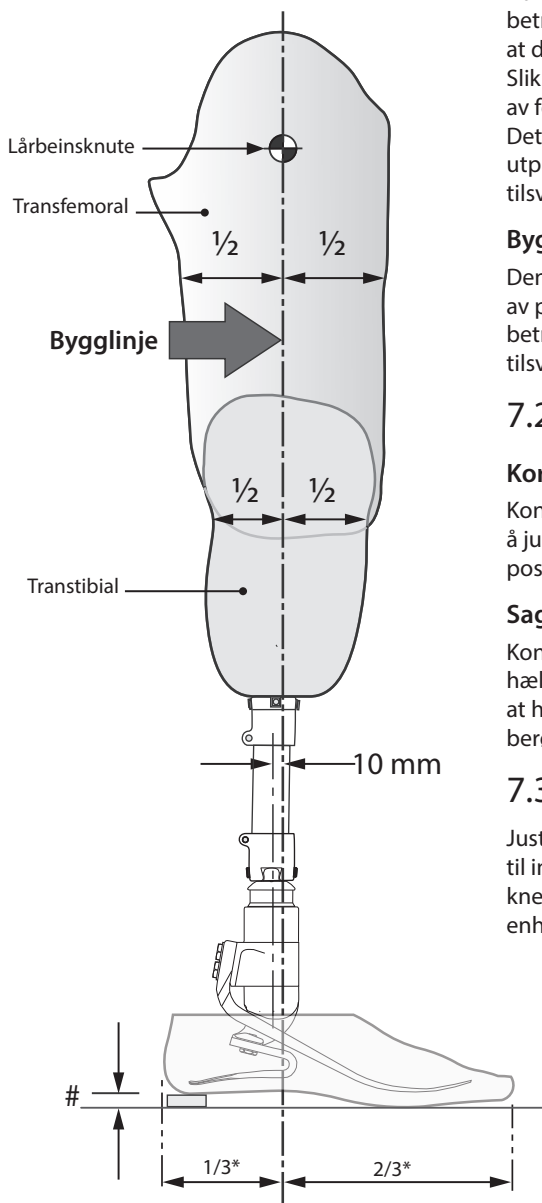


Egnet for utendørs bruk

7 Benkejustering

Instruksjonene i dette avsnittet er kun for legens bruk.

7.1 Statisk justering



Oppsettlengde

Når fleksjon, adduksjon og abduksjon er tatt i betraktning, skal ekstremiteten stilles inn slik at den er 10 mm lenger enn den friske siden. Slik tas det høyde for kompresjon og avbøying av fot- og aksialstøtjernene under gange. Dette skal revurderes før den dynamiske utprøvingen starter, og lengden skal justeres tilsvarende.

Bygglinje

Denne skal være 10 mm anterior til midten av pyramiden (med hælhøyden tatt i betraktning). Hylsen skal posisjoneres tilsvarende.

7.2 Dynamisk justering

Koronalt plan

Kontroller at M-L-fremstøt er minimalt ved å justere kontaktens og fotens relative posisjoner.

Sagittalt plan

Kontroller at det er en jevn overgang fra hæslag til tåløft. Kontroller også når man står at hælen og tåen er jevnt belastet og at begge berører gulvet.

7.3 Transfemorale justering

Juster transfemorale komponenter i henhold til instruksjonene for passform som følger med kneet, og hold byggelinjen i forhold til denne enheten som vist.

#Gi rom for brukerens egne sko

*Omtrentlig forhold

8 Råd for tilpasning

Instruksjonene i dette avsnittet er kun for legens bruk.

Fjærer leveres som avpassede sett, dvs. at hælen, tåen og aksialfjærene er laget for å fungere sammen og gi en jevn overgang for de fleste brukere.

Hælkile

En hælkile følger med fotprotesen. Ved montering av kilen avstives hælfjæren. Disse kan festes med tape for utprøving. For permanent tilpasning skal kilene klebes på plass ved hjelp av Loctite 424 (926104) mellom den lavere kontaktflaten til hælen og kilen.

Hælstivhet

Bevegelsen gjennom stillingsfasen skal være jevn, og hælfunksjonen er avgjørende for denne prosessen:

- Hvis hælen er for myk eller belastningslinjen for posterior, vil du synke ved hælslag og ha vanskeligheter med å komme over tåen.
- Hvis hælen er for hard eller belastningslinjen for anterior, vil du få en rask overgang til og med midtstilling eller rykke ved hælslag.

Aksiell stivhet

Aksialfjæren kontrollerer både kompresjons- og torsjonsfasthet. Typisk vertikal bevegelse skal være på mellom 3–6 mm for normal gange. Alternative stivhetsfjærer er tilgjengelige ved behov.

| | Symptomer | Løsning |
|-------------------------|--|--|
| Hæl for myk | <ul style="list-style-type: none">• Synker ved hælslag• Vanskeligheter med å rulle over tåen (tåen kjennes for hard) | <ol style="list-style-type: none">1. Legg til hælkile2. Flytt hylsen anteriort i forhold til foten (for mye bevegelse kan resultere i frafall)3. Hvis 1 og 2 mislykkes, monter et stivere fjærsett |
| Hæl for hard | <ul style="list-style-type: none">• Rask overgang fra hælslag til og med stillingsfasen• Vanskelig å kontrollere hælfunksjonen, foten rykker inn i midtstillingen• Foten kjennes for stiv ut | <ol style="list-style-type: none">1. Fjern hælkilen (hvis brukt)2. Flytt kontakten posteriort i forhold til foten3. Hvis 1 og 2 mislykkes, monter et mykere fjærsett |
| Tå/blad for mykt | <ul style="list-style-type: none">• Rask overgang til og med midtstilling.• "Frafall" ved høyere aktivitetsnivå | <ol style="list-style-type: none">1. Flytt kontakten posteriort i forhold til foten2. Plantarflekter foten litt – NB: noe omjustering kan være nødvendig |

Merk... Ta kontakt med leverandøren din hvis det ikke er mulig å oppnå en jevn gangart etter å ha fulgt rådene ovenfor.

9 Fjerning av fotkosmetikk og erstatning av fotfjær

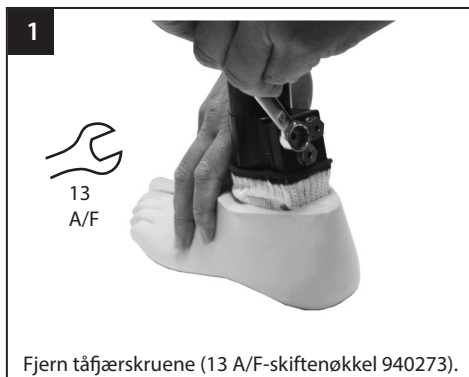
Instruksjonene i dette avsnittet er kun for legens bruk.



Bruk egnet HMS-utstyr til enhver tid, inkludert fjerningsutstyr.



Vær til enhver tid oppmerksom på fingerklemfaren.



9 Fjerning av fotkosmetikk og erstatning av tåfjær (fortsettelse)

Instruksjonene i dette avsnittet er kun for legens bruk.

7



Merk ankelen med aktuell fjærkategori og monter glidesokken som vist.

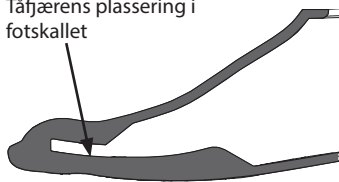
8



Sett enheten inn i fotskallet og skyv tåfjæren, ankelen og hælenheten fremover i fotskallet så langt det går.

9

Tåfjærens plassering i fotskallet



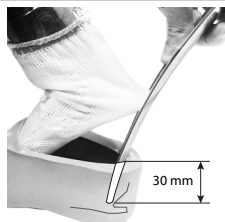
Påse at tåfjæren sitter godt i plasseringssporet i fotskallet.

10



Skyv en skoskje i metall mellom hælfjæren og baksiden av fotskallåpningen. Bend fjæren ned i fotskallet mens du skyver hele enheten nedover.

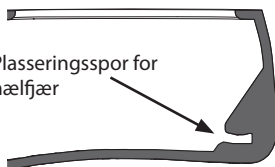
11



Skoskjeen skal plasseres ca. 30 mm under fotskallets overflate for å sikre at hælfjæren aktiveres fullt ut.

12

Plasseringsspor for hælfjær



Påse at hælfjæren sitter godt i plasseringssporet i fotskallet.

13

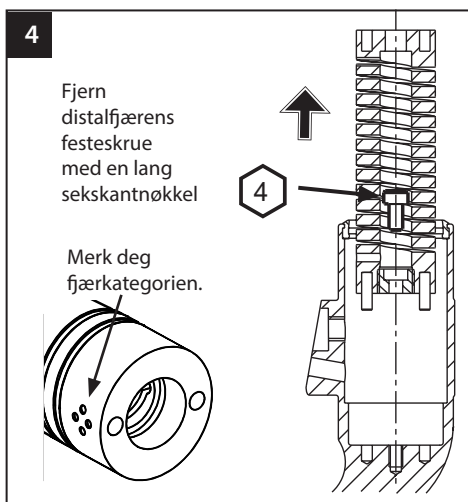
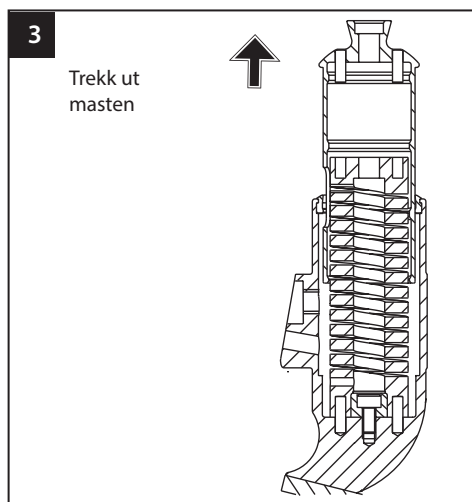
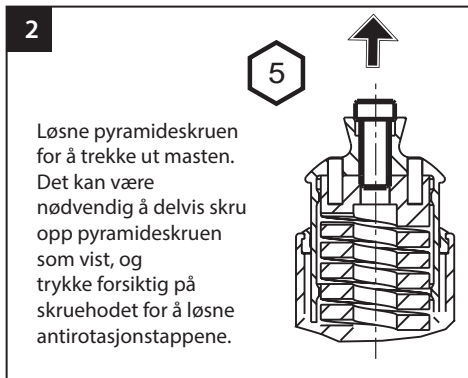
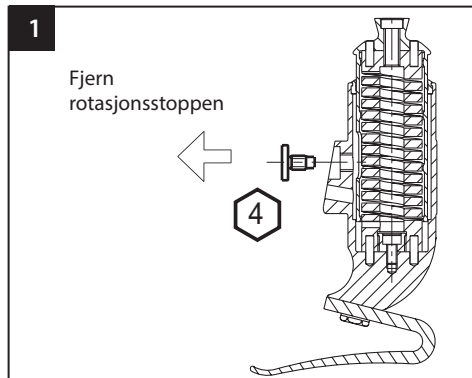


Fest skumkosmetikk til overflaten av fotskallet som vist ved hjelp av klebemiddelet Thixofix (926204) eller tilsvarende, og form etter behov.

10 Bytte ut aksialstøtfjær

Instruksjonene i dette avsnittet er kun for legens bruk.

Fjern fra fotskallet, som tidligere vist



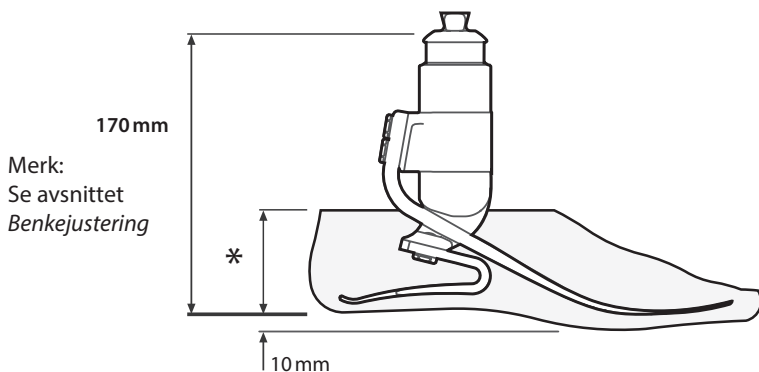
Smør den bærende overflaten på nytt med "Sapphire Endure" (928015) eller tilsvarende PTFE-fett ved behov.

Remontering er motsatt av det ovennevnte. Merk posisjonen og plasseringen av antirotasjonstappene i aksialfjæren og retningen av sporet i masten (posterior). Påfør Loctite og sett dreiemoment på skruene som vist i avsnittet *Konstruksjon*.

11 Tekniske data

| | |
|--|---------------------------|
| Drifts- og oppbevaringstemperatur: | -15 °C til +50 °C |
| Komponentvekt (<i>størrelse 26</i>): | 1000 g |
| Aktivitetsnivå: | 3-4 |
| Maksimal brukervekt: | 166 kg |
| Justeringsområde | ±7° vinkel |
| Maksimal rotasjon | ±15° |
| Typisk aksial bevegelse | 3–6 mm (maksimalt 10 mm) |
| Proksimalt vedlegg: | Hannpyramide (Blatchford) |
| Bygghøyde: | 170 mm |
| Hælhøyde | 10 mm |

Monteringslengde



* Størrelser
22–24 = 65 mm
27–28 = 70 mm
29–30 = 75mm

12 Bestillingsinformasjon

Bestillingseksempel

| | | | | | | |
|------------|-----------|---------------|------------------|----------|----------|----------|
| EVT | 25 | L | N | 7 | 3 | S |
| | Størrelse | Side (V/H) | Bredde* (S/B) | Fjærsett | Støtfjær | Sandaltå |

f.eks. EVT25LN73S

* Kun størrelse 25-28. For alle andre størrelser, utelat Bredde-feltet.

Tilgjengelig fra
størrelse 22 til 30:

EVT22L11S til EVT30R94S
EVT22L11SD til EVT30R94SD
(legg til "D" for fotskall i mørk tone)

Fjærsett

| Fjærsett | Fotstørrelse | | | |
|----------|--------------|---------|---------|-------------------|
| | 22-24 | 25-26 | 27-28 | 29-30 |
| Sett 1 | 539701S | 539710S | 539719S | Spesialbestilling |
| Sett 2 | 539702S | 539711S | 539720S | Spesialbestilling |
| Sett 3 | 539703S | 539712S | 539721S | 539730S |
| Sett 4 | 539704S | 539713S | 539722S | 539731S |
| Sett 5 | 539705S | 539714S | 539723S | 539732S |
| Sett 6 | 539706S | 539715S | 539724S | 539733S |
| Sett 7 | 539707S | 539716S | 539725S | 539734S |
| Sett 8 | 539708S | 539717S | 539726S | 539735S |
| Sett 9 | | 539718S | 539727S | 539736S |

Fotskall

(Legg til "D" for mørk)

| Størrelse/ Side | Smal | Bred |
|--------------------|----------|----------|
| 22L | 539038S | - |
| 22R | 539039S | - |
| 23L | 539040S | - |
| 23R | 539041S | - |
| 24L | 539042S | - |
| 24R | 539043S | - |
| 25L | 539044SN | 539044SW |
| 25R | 539045SN | 539045SW |
| 26L | 539046SN | 539046SW |
| 26R | 539047SN | 539047SW |
| 27L | 539048SN | 539048SW |
| 27R | 539049SN | 539049SW |
| 28L | 539050SN | 539050SW |
| 28R | 539051SN | 539051SW |
| 29L | - | 539052S |
| 29R | - | 539053S |
| 30L | - | 539054S |
| 30R | - | 539055S |

Aksialstøtfjærer

| | |
|------------|--------|
| Kategori 1 | 539058 |
| Kategori 2 | 539059 |
| Kategori 3 | 539060 |
| Kategori 4 | 539061 |

Glidesokk

| | |
|-----------------|--------|
| Størrelse 22-24 | 531011 |
| Størrelse 25-30 | 532811 |

Ansvar

Produsenten anbefaler å bruke enheten kun under de angitte betingelsene og for de tiltenkte formålene. Enheten må vedlikeholdes i henhold til instruksjonene som følger med enheten. Produsenten er ikke ansvarlig for skadelige utfall forårsaket av komponentkombinasjoner som ikke ble autorisert av dem.

CE-samsvar

Dette produktet oppfyller kravene i EUs regelverk EU 2017/745 for medisinsk utstyr. Dette produktet er klassifisert som en klasse I-enhet i henhold til klassifiseringsreglene beskrevet i vedlegg VIII til forskriften. EU-samsvarserklæringen er tilgjengelig på følgende internettadresse: www.blatchford.co.uk



Medisinsk enhet



Enkelt pasient – flerbruk

Kompatibilitet

Kombinasjon med Blatchford-merkede produkter er godkjent basert på testing i samsvar med relevante standarder og MDR inkludert strukturell test, dimensjonell kompatibilitet og overvåket feltytelse.

Kombinasjon med alternative CE-merkede produkter må utføres med tanke på en dokumentert lokal risikovurdering utført av en utøver.

Garanti

Garantien for denne enheten varer i 36 måneder – fotskallet 12 måneder – glidesokken 3 måneder. Brukeren må være klar over at endringer eller modifikasjoner som ikke er uttrykkelig godkjent kan ugyldiggjøre garantien, brukslisensene og fritakene. Gå til Blatchford-nettstedet for å se hele garantierklæringen.

Rapportering av alvorlige hendelser

I det usannsynlige tilfelle at det skulle oppstå en alvorlig hendelse relatert til denne enheten, skal den rapporteres til produsenten og din nasjonale kompetente myndighet.

Miljøhensyn

Hvor mulig skal delene resirkuleres i samsvar med lokale regler for avfallshåndtering.

Behold emballasjemerket

Legen anbefales å oppbevare emballasjetiketten som en oversikt over den medfølgende enheten.

Varemerkeanerkjennelser

Elite Foot og Blatchford er registrerte varemerker for Blatchford Products Limited.

Produsentens registrerte adresse

Blatchford Products Limited, Lister Road, Basingstoke RG22 4AH, Storbritannia.

| | |
|---|----|
| Sisällys | 47 |
| 1 Kuvaus ja käyttötarkoitus | 48 |
| 2 Turvallisuustietoja | 50 |
| 3 Rakenne | 51 |
| 4 Toiminta | 52 |
| 5 Huolto | 52 |
| 6 Käyttöä koskevat rajoitukset | 53 |
| 7 Linjaus työpenkillä | 54 |
| 7.1 Staattinen linjaus | 54 |
| 7.2 Dynaaminen linjaus | 54 |
| 7.3 Reisisosan linjaus | 54 |
| 8 Sovitusta koskevia ohjeita | 55 |
| 9 Kosmeettisen suojuksen irrotus ja jalan jousen vaihto | 56 |
| 10 Aksiaalisen vaimennusjousen vaihto | 58 |
| 11 Tekniset tiedot | 59 |
| 12 Tilaustiedot | 60 |

1 Kuvaus ja käyttötarkoitus

Nämä käyttöohjeet on tarkoitettu proteesiteknikolle ja käyttäjälle, ellei toisin mainita.

Termiä *laite* käytetään näissä ohjeissa puhuttaessa EliteVT-jalkateräproteesista.

Lue ja varmista, että ymmärrät kaikki ohjeet, etenkin kaikki turvallisuuteen ja huoltoon liittyvät ohjeet.

Käyttö

Laite on tarkoitettu käytettäväksi vain osana alaraajaproteesia.

Vain henkilökohtaiseen käyttöön.

Jalkateräproteesi, jossa on suuri energianpalautus. Erilliset kantapää- ja varvasjouset saavat aikaan aksiaalisen heilahduksen. Jaettu varvasosa takaa hyvän maakosketuksen. Laite sisältää myös aksiaalista ja kiertoiskua vaimentavan jouselementin, jonka tarkoitus on vähentää leikkausjännitystä tyngän/holkin kosketuspinnalla.

Ominaisuudet

- Titaanista valmistettu tarkkuusjousi pystysuuntaista kasaan painumista ja aksiaalista kiertoa varten
- Lineaarinen vaste aksiaaliseen kuormitukseen
- Tehokas energianpalautus
- Erilliset keinohiilestä valmistetut jalkaterän jouset
- Kantakiilalla säädettävä jousen jäykkyys

Aktiivisuustaso

Tätä laitetta suositellaan henkilöille, jotka voivat saavuttaa aktiivisuustason 3 tai 4.

Poikkeuksia ilman muuta on, ja siksi haluamme suosituksissamme huomioida yksilölliset tapaukset, jolloin päätöksen tulee olla perusteltu ja huolella harkittu.

Aktiivisuustaso 1

Pystyy käyttämään tai on mahdollisuus käyttää proteesia siirtymiseen tai liikkumiseen tasaisella pinnalla tasaiseen tahtiin. Tyypillistä rajallisesti ja rajoituksitta liikkuvalla.

Aktiivisuustaso 2

Pystyy liikkumaan tai on mahdollisuus liikkua sekä pystyy ylittämään matalia esteitä, kuten reunakiveyksiä, portaita tai epätasaisia pintoja. Tyypillistä rajallisesti ulkona liikkuvalla.

Aktiivisuustaso 3

Pystyy liikkumaan tai on mahdollisuus liikkua vaihtelevaan tahtiin.

Tyypillistä ulkona liikkuvalla, joka pystyy ylittämään useimmat esteet ja jolla on työhön, terapiaan tai liikuntaan liittyvää toimintaa, joka vaatii proteesilta yksinkertaista liikettä enemmän.

Aktiivisuustaso 4

Pystyy liikkumaan tai on mahdollisuus liikkua proteesilla perusliikkumistaitoja vaativammin, sisältäen iskuja, rasiusta ja voimaa. Tyypillinen vaatimus lasten, aktiivisten aikuisten ja urheilijoiden proteesilta.




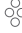
Vasta-aiheet

Laite ei välttämättä sovellu aktiivisuustason 1 käyttäjille eikä kilpaurheiluun. Näissä tapauksissa on parempi käyttää erikoisvalmisteista proteesia, joka on optimoitu käyttäjän tarpeisiin sopivaksi.

Kliiniset hyödyt

- Mahdollistaa juoksemisen eri nopeuksilla
- Suurempi kävelynopeus verrattuna jäykkiin putkiin
- Enemmän liikkuvuutta aktiivisille käyttäjille verrattuna energiaa varastoimattomiin ja palauttamattomiin jalkateräproteeseihin, hydraulisiin nilkkaproteeseihin sekä flex-foot- ja flex-walk-tyyppisiin jalkateräproteeseihin
- Parempi proteesin ponnistus verrattuna SACH-jalkoihin
- Parempi proteesin positiivinen toiminta verrattuna alhaisemman aktiivisuustason jalkateräproteeseihin
- Korkea käyttäjätyytyväisyys, etenkin erittäin aktiivisten käyttäjien keskuudessa
- Hitaampi kuormitus amputaatiotynkään verrattuna jäykkiin putkiin
- Vähemmän selkäkipeä kiertoliikkeessä verrattuna jäykkiin putkiin

Jousisarjan valinta

| | Käyttäjän paino[kg] | | | | | | | | | |
|------------------|---|-------|---|-------|---|--------|---|---------|---------|---------|
| | 44-52 | 53-59 | 60-68 | 69-77 | 78-88 | 89-100 | 101-116 | 117-130 | 131-147 | 148-166 |
| Iskuvoima | Aktiivisuustaso 3: Jalan jousisarja | | | | | | | | | |
| Pieni | 1 | 1 | 2 | 3 | 4 | 5 | 6 | 7 | 8 | 9 |
| | Aktiivisuustaso 4: Jalan jousisarja | | | | | | | | | |
| Kohtalainen | 1 | 2 | 3 | 4 | 5 | 6 | 7 | 8 | 9 | |
| Suuri | 2 | 3 | 4 | 5 | 6 | 7 | 8 | 9 | | |
| |  | |  | |  | |  | | | |
| | 1 | | 2 | | 3 | | 4 | | | |
| Pieni | Päivittäinen kävely ja ajoittainen urheilu, kuten golf ja vaellus | | | | | | | | | |
| Kohtalainen | Reipas kävely, säännöllinen tai päivittäinen urheilu, kuten hölkkä | | | | | | | | | |
| Suuri | Päivittäiset aktiviteetit, kuten pitkän matkan juoksu, kiipeily, painavien esineiden nostaminen ja kantaminen työn takia. | | | | | | | | | |

Aksiaalisen vaimennusjousen jousiluokka kuten taulukossa näkyy



Varoitus: Jos proteesiin kohdistuu suuri iskuvoima, yksittäisille jousille asetettuja painorajoituksia ei saa ylittää.

Huomautus... Jos on epäselvää, kumpaa jousiluokkaa tulisi käyttää, valitse suuremman jousiluokan jousisarja.

Esitetyt jalan jousisarjasuosituksukset on tarkoitettu sääriproteesin käyttäjille.

Reisiproteesin käyttäjille suositellaan yhtä jousiluokkaa pienempää jalan jousisarjaa.

Kun jouset on asennettu, peitä kannattimessa olevat viivat mustalla pysyvämusteisella kynällä niin, että jousisarjan numero jää näkyviin.



2 Turvallisuustietoja



Tällä varoitusmerkillä tuodaan esille tärkeitä turvallisuuteen liittyviä tietoja, joita täytyy noudattaa huolellisesti.



Kaikista proteesin toimintaan tai toimivuuteen liittyvistä muutoksista, kuten rajoittuneesta, liiallisesta tai takeltelevasta liikkeestä tai poikkeavista äänistä, tulee ilmoittaa välittömästi laitevalmistajalle.



Pidä aina kiinni kaiteesta, kun kuljet alas portaita ja myös muulloin, jos mahdollista.



Laite ei sovellu vaativaan urheiluun, kilpajuoksuun tai kilpapyöräilyyn, jää- ja lumieurheiluun eikä jyrkissä rinteissä tai jyrkissä portaissa liikkumiseen. Tällaisiin aktiviteetteihin ryhtyminen on täysin käyttäjän omalla vastuulla. Virkistyspyöräily tai juokseminen on sallittua.



Vain pätevä ammattihenkilö saa koota, huoltaa ja korjata laitetta.



Käyttäjää tulee neuvoa ottamaan yhteyttä proteesitekniikkoon, jos hänen tilaansa tulee muutoksia.



Autoa ajettaessa on varmistettava, että asianmukaiset varusteet on asennettu. Jokaisen täytyy noudattaa paikallisia liikennelakeja moottoriajoneuvoilla ajettaessa.



Liukastumis- ja kaatumisriskin minimoimiseksi täytyy aina käyttää sopivaa jalkinetta, joka istuu napakasti kosmeettiseen suojukseen.



Laitetta ei ole tarkoitettu käytettäväksi vedessä tai suihkussa. Jos proteesi joutuu kosketukseen veden kanssa, pyyhi se välittömästi kuivaksi.

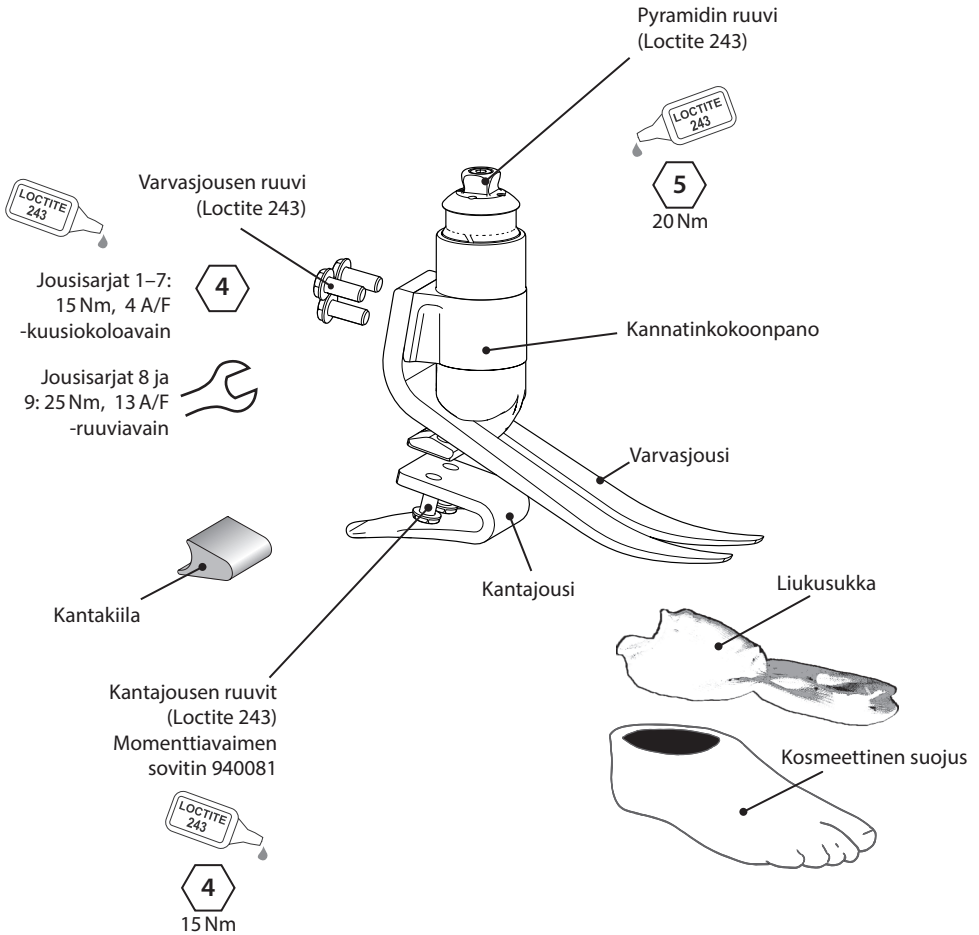


Varo sormien juuttumista.

3 Rakenne

Tärkeimmät osat

- Kannatinkokoonpano alumiini, titaani, ruostumaton teräs
- Kantapää- ja varvasjouset keinohiili
- Jousen kiinnitysruuvit titaani
- Liukusukka UHMWPE (ultrauurimolekyylipainoinen polyeteeni)
- Kosmeettinen suojus PU (polyuretaani)



4 Toiminta

Laitte koostuu varvasosasta ja erillisestä kantajousesta. Kannatinkokoonpano sisältää jousikomponentin, jonka avulla pyramidiputki pääsee heilahtamaan ja/tai kiertymään rajallisesti aksiaalisessa ja/tai kiertorasituksessa. Kun rasitusta ei enää ole, jousi palaa alkuperäiseen asentoonsa. Tämä liike vaimentaa iskuvoimia, jotka muutoin siirtäisivät tyngän/holkin liitospintaan sekä aksiaalisessa että kiertosuunnassa.

Kanta- ja varvasjouset on kiinnitetty kannatinkokoonpanoon titaaniruuveilla. Jalkaosaa ympäröi sukka (UHMWPE), jota puolestaan ympäröi kosmeettinen suojuus (PU).

5 Huolto

Tarkista laite silmämääräisesti säännöllisesti.

Ilmoita kaikista tämän laitteen toiminnassa esiintyvistä muutoksista, kuten poikkeavista äänistä, lisääntyneestä jäykkyydestä, rajoittuneesta/liiallisesta kiertoliikkeestä, merkittävästä kulumisesta tai pitkäaikaisesta ultraviolettivalolle altistumisesta johtuvista huomattavista värimuutoksista proteesiteknikolle/laitevalmistajalle.

Ilmoita proteesiteknikolle/laitevalmistajalle, jos painossasi ja/tai aktiivisuustasossasi tapahtuu muutoksia.

Puhdistus

Puhdista ulkopinnat kostealla liinalla ja miedolla saippualla. Älä käytä voimakkaita puhdistusaineita.

Loput tässä kappaleessa annetuista ohjeista on tarkoitettu vain proteesiteknikoille.

Nämä huoltotoimenpiteet saa tehdä vain pätevä ammattihenkilö (proteesiteknikko tai asianmukaisen koulutuksen saanut apuvälineteknikko).

Seuraavat säännölliset huoltotoimenpiteet täytyy tehdä vähintään kerran vuodessa:

- Poista kosmeettinen suojuus ja liukusukka, tarkista mahdolliset vauriot ja kuluminen ja vaihda tarvittaessa.
- Tarkista kaikkien ruuvien kireys, katso *Rakenne* kohta; puhdista ja kokoa uudelleen tarpeen mukaan.
- Tarkista, ovatko kanta- ja varvasjouset kuluneet tai laminointi irronnut, ja vaihda tarvittaessa. Pieniä pintavaurioita saattaa muodostua ajan kuluessa, mutta ne eivät vaikuta proteesin toimintaan tai kestävytyteen.

Kosmeettisen suojuksen irrotusohjeet ja jalan jousien vaihto-ohjeet löytyvät kohdasta Kosmeettisen suojuksen irrotus ja jalan jousen vaihto.

Voitele jousen kantopinnat uudelleen tarvittaessa. Toimi seuraavasti:

- Pura laite aksiaalisen vaimennusjousen vaihto-ohjeiden mukaisesti.
- Laita kantopinnoille Sapphire Endurea (928015) tai vastaavaa PTFE-rasvaa ja kokoa uudelleen.

Varmista, että käyttäjä on lukenut ja ymmärtää kaikki turvallisuusohjeet sekä käyttäjän tehtäviin huoltotoimenpiteisiin liittyvät ohjeet.

Kerro käyttäjälle, että on suositeltavaa tarkistaa jalka säännöllisesti silmämääräisesti ja että toimintaan vaikuttavan kuluman merkeistä (esim. merkittävä kuluminen tai pitkään ultraviolettivalolle altistumisesta johtuvat huomattavat värimuutokset) tulee ilmoittaa laitevalmistajalle.

Jos tätä laitetta käytetään vaativassa toiminnassa, huollon taso ja huoltovälit tulee arvioida uudelleen ja tarvittaessa tulee pyytää neuvoa ja teknistä tukea uuden huolto-ohjelman suunnitteluun, riippuen toiminnan toistuvuudesta ja luonteesta. Asianmukaisesti pätevän henkilön tulee määrittää tämä paikallisen riskiarvioinnin perusteella.

6 Käyttöä koskevat rajoitukset

Kestoikä

Toimintaan ja käyttöön perustuva paikallinen riskiarviointi tulee tehdä.

Kantokyky

Käyttäjän painolle ja toiminnalle on asetettu raja-arvot.

Käyttäjän kantamien kuormien tulee perustua paikalliseen riskiarviointiin.

Ympäristö

Vältä altistamasta laitetta syövyttävillä aineilla, kuten vedelle, hapoille ja muille nesteille. Vältä hankaavia materiaaleja, kuten hiekkaa, sisältäviä ympäristöjä, koska ne voivat aiheuttaa ennenaikaista kulumista. Sallittu käyttölämpötila -15–50 °C.

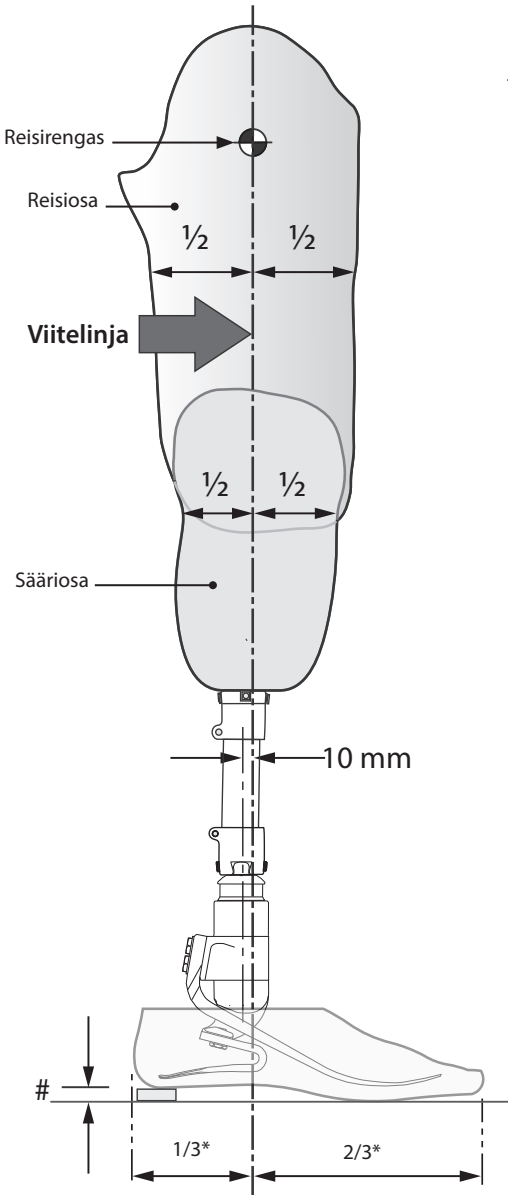


Soveltuu ulkokäyttöön

7 Linjaus työpenkillä

Tässä kappaleessa esitetyt ohjeet on tarkoitettu vain proteesiteknikoille.

7.1 Staattinen linjaus



Asetuspituus

Kun koukistus, lähennys ja loitonnuks on säädetty sopiviksi, säädä raajan pituus 10 mm pidemmäksi kuin kiinteä puoli, jotta jalan jouset ja aksiaaliset vaimennusjouset pääsevät painumaan ja heilahtamaan kävelyn aikana. Tämä tulee tarkistaa ennen kuin dynaaminen testi aloitetaan ja pituus säätää sen mukaisesti.

Viitelinja

Tämän tulee olla 10 mm pyramidin keskiviivan etupuolella (kantapään ollessa oikealla korkeudella). Holkki tulee asettaa vastaavasti.

7.2 Dynaaminen linjaus

Koronaalisuunta

Varmista, että M-L-työntövoima on minimaalinen, säätämällä holkin ja jalan suhteellista asentoa.

Sagittaalisuunta

Tarkista, että siirtyminen kantaiskusta varvastyöntöön tapahtuu tasaisesti. Varmista myös, että seisoma-asennossa kantapää ja varvas kuormittuvat tasaisesti ja kummatkin koskettavat lattiaa.

7.3 Reisisosan linjaus

Linjaa reisisosat polven mukana toimitettujen sovitusharjojen mukaisesti niin, että viitelinja pysyy suhteessa tähän laitteeseen kuten kuvassa on esitetty.

#Huomioi käyttäjän oma jalkiner

*Likimääräinen suhde

8 Sovitusta koskevia ohjeita

Tässä kappaleessa esitetyt ohjeet on tarkoitettu vain proteesiteknikoille.

Jouset toimitetaan yhteensopivina pareina, ts. kanta-, varvas- ja aksiaaliset jouset on suunniteltu toimimaan yhdessä tehden siirtymisestä tasaista useimpien käyttäjien kohdalla.

Kantakiila

Jalkaterän mukana toimitetaan kantakiila. Kiilaa käytettäessä kantajousi on jäykempi. Kiila voidaan teipata paikalleen testauksen ajaksi. Jos kiila halutaan kiinnittää pysyvästi, se tulee kiinnittää paikalleen laittamalla Loctite 424 -liimaa (926104) kantapään ja kiilan väliseen alempaan kosketuspintaan.

Kantapään jäykkyys

Siirtymisen tulisi olla tasaista kävelyn tukivaiheessa; kantapään toiminta on avainasemassa tässä vaiheessa:

- Liian pehmeä kantapää tai liian takana oleva kuormituslinja johtaa painumiseen kantaiskun aikana, mikä vaikeuttaa varvasosan ylittämistä.
- Liian kova kantapää tai liian edessä oleva kuormituslinja johtaa nopeaan siirtymiseen keskitukivaiheessa tai nytkähdykseen kantaiskun aikana.

Aksiaalinen jäykkyys

Aksiaalinen jousi hallitsee sekä puristus- että kiertojuuutta. Tyypillisen pystyliikkeen tulisi olla 3–6 mm normaalia kävelyä varten. Jousia on tarvittaessa saatavana eri jäykkyyksillä.

| | Ongelma | Korjaustoimenpide |
|---------------------------------|---|--|
| Liian pehmeä kantapää | <ul style="list-style-type: none">• Painuminen kantaiskun aikana.• Vaikea päästä varvasosan ylitse (varvasosa tuntuu liian kovalta). | <ol style="list-style-type: none">1. Lisää kantakiila.2. Siirrä holkkia eteenpäin suhteessa jalkaan (liiallinen liike voi johtaa putoamiseen).3. Jos vaiheet 1 ja 2 eivät toimi, vaihda jäykempään jousisarjaan. |
| Liian kova kantapää | <ul style="list-style-type: none">• Nopea siirtyminen kantaiskusta kävelyn tukivaiheeseen.• Vaikea hallita kantapään liikettä, jalkaterä nytkähtää keskitukivaiheeseen.• Jalkaterä tuntuu liian jäykältä. | <ol style="list-style-type: none">1. Poista kantakiila (jos asennettu).2. Siirrä holkkia taaksepäin suhteessa jalkaan.3. Jos vaiheet 1 ja 2 eivät toimi, vaihda pehmeämpään jousisarjaan. |
| Varvasjousi liian pehmeä | <ul style="list-style-type: none">• Nopea siirtyminen keskitukivaiheessa.• Putoamista korkeilla aktiivisuustasoilla. | <ol style="list-style-type: none">1. Siirrä holkkia taaksepäin suhteessa jalkaan.2. Tee lievä plantaarifleksio. Huom: lievä uudelleen linjaus voi olla tarpeen. |

Huomautus... Ota yhteyttä laitetoimittajaan, jos kävely ei ole tasaista edellä esitettyjä ohjeita noudattamalla.

9 Kosmeettisen suojuksen irrotus ja jalan jousen vaihto

Tässä kappaleessa esitetyt ohjeet on tarkoitettu vain proteesiteknikoille.



Käytä aina asianmukaisia suojavarusteita ja sopivia proteesin irrotusvälineitä.



Varo sormien juuttumista.



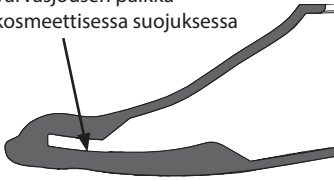
7



Merkitse kannattimen jousiluokka ja sovita liukusukka kuten kuvassa on esitetty.

9

Varvasjousen paikka kosmeettisessa suojuksessa



Varmista, että varvasjousi asettuu oikein kosmeettisessa suojuksessa olevaan uraan.

8



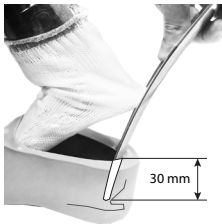
Laita kokoonpano kosmeettiseen suojukseen ja työnnä varvasjousi-, kannatin- ja kantakokoonpanoa eteenpäin suojuksessa niin pitkälle kuin mahdollista.

10



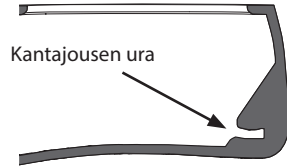
Työnnä metallinen kenkälusikka kantajousen ja kosmeettisen suojuksen takaosan väliseen rakoon. Vipua jousi alas suojukseen samalla kun painat koko kokoonpanoa alaspäin.

11



Kenkälusikan tulisi olla noin 30 mm kosmeettisen suojuksen yläpinnan alapuolella, jotta kantajousi asettuu kunnolla paikalleen.

12



Kantajousen ura

Varmista, että kantajousi asettuu oikein kosmeettisessa suojuksessa olevaan uraan.

13

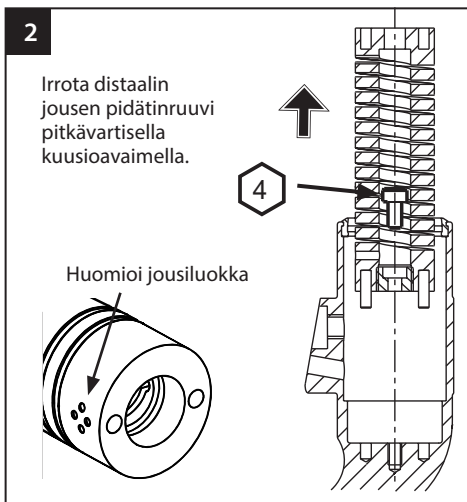
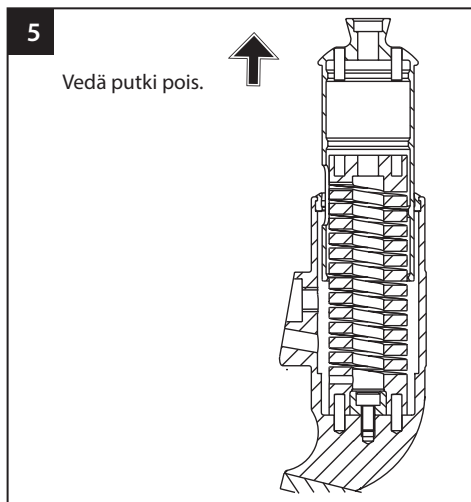
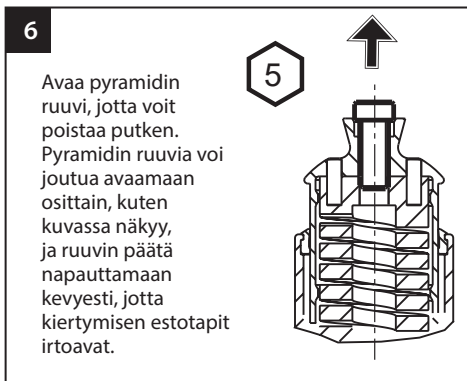
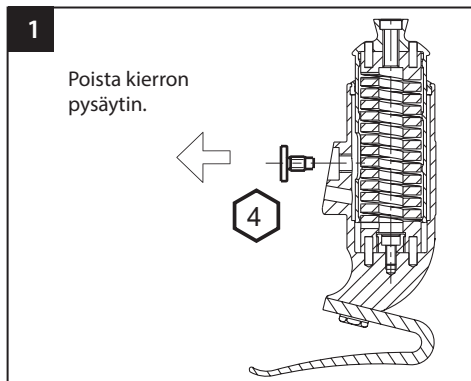


Kiinnitä kosmeettinen vaahtomuoviosa suojuksen yläpintaan Thixofix-liimalla (926204) tai vastaavalla ja muotoile sopivaksi.

10 Aksiaalisen vaimennusjousen vaihto

Tässä kappaleessa esitetyt ohjeet on tarkoitettu vain proteesiteknikoille.

Poista kosmeettinen suojus kuten edellä on neuvottu.



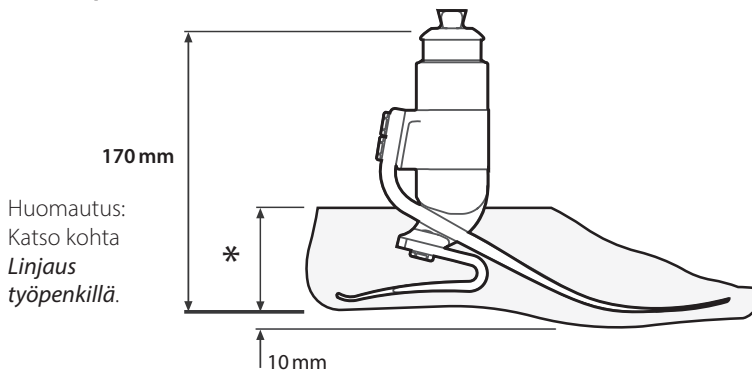
Voitele kantopinta tarvittaessa uudelleen Sapphire Endurella (928015) tai vastaavalla PTFE-rasvalla.

Kokoaminen tapahtuu päinvastaisessa järjestyksessä edelliseen. Huomioi aksiaalisen jousen olevien kiertymisen estotappien asento ja sijainti sekä putkessa (posteriorinen) olevan uran asento. Levitä Loctite-kierrelukitettä ja kiristä ruuvit kuten kohdassa *Rakenne* on neuvottu.

11 Tekniset tiedot

| | |
|------------------------------------|---------------------------|
| Käyttö- ja säilytyslämpötila-alue: | -15–50°C |
| Paino (koko 26): | 1000 g |
| Aktiivisuustaso: | 3–4 |
| Suurin sallittu käyttäjän paino: | 166 kg |
| Säätöalue: | kulma $\pm 7^\circ$ |
| Maksimikierto: | $\pm 15^\circ$ |
| Tyypillinen aksiaalinen liike: | 3–6 mm (maks. 10 mm) |
| Proksimaalinen kiinnitys: | urospyramidi (Blatchford) |
| Rakenteen korkeus: | 170 mm |
| Kantapään korkeus: | 10 mm |

Sovituspituus



* Koot
22–26 = 65 mm
27–28 = 70 mm
29–30 = 75 mm

12 Tilaustiedot

Tilaukesimerkki

| | | | | | | |
|------------|-----------|-------------------------|---------------------------|------------|---------------------|---------------------|
| EVT | 25 | L | N | 7 | 3 | S |
| | Koko | Puoli (L/R [V/O]) | Leveys* (N/W [K/L]) | Jousisarja | Vaimennus- jousi | Sandaali- varvas |

Saatavana olevat

koot 22–30:

EVT22L11S–EVT30R94S

EVT22L11SD–EVT30R94SD

esim. EVT25LN73S

(lisää D, jos haluat tummasävyisen
kosmeettisen suojuksen)

*Vain koot 25–28. Jätä leveys pois muista kokoluokista.

Jousisarja

| Jousisarja | Jalan koko | | | |
|------------|------------|---------|---------|---------------|
| | 22–24 | 25–26 | 27–28 | 29–30 |
| Sarja 1 | 539701S | 539710S | 539719S | Erikoistilaus |
| Sarja 2 | 539702S | 539711S | 539720S | Erikoistilaus |
| Sarja 3 | 539703S | 539712S | 539721S | 539730S |
| Sarja 4 | 539704S | 539713S | 539722S | 539731S |
| Sarja 5 | 539705S | 539714S | 539723S | 539732S |
| Sarja 6 | 539706S | 539715S | 539724S | 539733S |
| Sarja 7 | 539707S | 539716S | 539725S | 539734S |
| Sarja 8 | 539708S | 539717S | 539726S | 539735S |
| Sarja 9 | | 539718S | 539727S | 539736S |

Kosmeettinen suojus (lisää D, jos haluat tumman)

| Koko/puoli | Kapea | Leveä |
|------------|----------|----------|
| 22L | 539038S | - |
| 22R | 539039S | - |
| 23L | 539040S | - |
| 23R | 539041S | - |
| 24L | 539042S | - |
| 24R | 539043S | - |
| 25L | 539044SN | 539044SW |
| 25R | 539045SN | 539045SW |
| 26L | 539046SN | 539046SW |
| 26R | 539047SN | 539047SW |
| 27L | 539048SN | 539048SW |
| 27R | 539049SN | 539049SW |
| 28L | 539050SN | 539050SW |
| 28R | 539051SN | 539051SW |
| 29L | - | 539052S |
| 29R | - | 539053S |
| 30L | - | 539054S |
| 30R | - | 539055S |

Aksiaalinen vaimennusjousi

| | |
|----------|--------|
| Luokka 1 | 539058 |
| Luokka 2 | 539059 |
| Luokka 3 | 539060 |
| Luokka 4 | 539061 |

Liukusukka

| | |
|------------|--------|
| Koot 22–24 | 531011 |
| Koot 25–30 | 532811 |

Vastuu

Valmistaja suosittelee, että laitetta käytetään ainoastaan ilmoitetuissa olosuhteissa ja aiottuun käyttötarkoitukseen. Laitetta täytyy huoltaa laitteen mukana toimitettujen käyttöohjeiden mukaisesti. Valmistaja ei ole vastuussa mistään haitallisista seuraamuksista, jotka johtuvat sellaisten osakokoonpanojen käytöstä, joita valmistaja ei ole hyväksynyt.

CE-vaatimustenmukaisuus

Tämä tuote täyttää lääkinällisistä laitteista annetun Euroopan unionin säädöksen 2017/745 vaatimukset. Tämä tuote on luokiteltu luokan I tuotteeksi kyseisen säädöksen liitteen VIII luokituskriteerien mukaisesti. Todistus EU:n vaatimustenmukaisuusvakuutuksesta löytyy osoitteesta: www.blatchford.co.uk



Lääkinnällinen laite



Yhdelle potilaalle, kestävä käyttöinen

Yhteensopivuus

Blatchfordin omien tuotteiden käyttö on hyväksytty edellyttäen että ne on testattu asiaankuuluvien standardien ja MDR-asetuksen mukaisesti käsittäen myös rakenteellisen testin, mittojen yhteensopivuuden ja valvotun kenttätoimivuuden.

Vaihtoehtoisia CE-merkittyjä tuotteita käytettäessä täytyy ottaa huomioon proteesitekniikan tekemä dokumentoitu paikallinen riskiarviointi.

Takuu

Tällä laitteella on 36 kuukauden takuu, kosmeettisella suojuksella 12 kuukauden takuu ja liukusukalla kolmen kuukauden takuu. Käyttäjän tulee olla tietoinen siitä, että takuu, käyttöluva ja erityisluvut voidaan mitätöidä, jos laitteeseen tehdään muutoksia tai muunnoksia, joita ei ole erikseen hyväksytty. Tämänhetkiset täydelliset takuutiedot löytyvät Blatchfordin verkkosivustolta.

Vakavista tapahtumista ilmoittaminen

Jos tähän laitteeseen liittyvä vakava tapahtuma sattuu (mikä on hyvin epätodennäköistä), asiasta tulee ilmoittaa valmistajalle ja kansalliselle toimivaltaiselle viranomaiselle.

Ympäristötiedot

Osat tulee kierrättää, mikäli mahdollista, paikallisten jätehuoltomääräysten mukaisesti.

Pakkausetiketin säilyttäminen

On suositeltavaa, että proteesitekniikko säilyttää pakkausetiketin tiedoksi tulevan varalle.

Tavaramerkkejä koskevat tiedot

Elite Foot ja Blatchford ovat Blatchford Products Limitedin rekisteröityjä tavaramerkkejä.

Valmistajan rekisteröity osoite

Blatchford Products Limited, Lister Road, Basingstoke RG22 4AH, Iso-Britannia.

| | |
|---|----|
| Innehåll | 62 |
| 1 Beskrivning och avsett syfte..... | 63 |
| 2 Säkerhetsinformation | 65 |
| 3 Konstruktion | 66 |
| 4 Funktion..... | 67 |
| 5 Underhåll..... | 67 |
| 6 Begränsningar av användningen | 68 |
| 7 Inriktning på arbetsbänken..... | 69 |
| 7.1 Statisk inriktning..... | 69 |
| 7.2 Dynamisk inriktning..... | 69 |
| 7.3 Transfemoral inriktning..... | 69 |
| 8 Inpassningsråd | 70 |
| 9 Borttagning av fotskal och byte av fotfjäder..... | 71 |
| 10 Byte av axiell fjäder..... | 73 |
| 11 Tekniska uppgifter | 74 |
| 12 Beställningsinformation | 75 |

1 Beskrivning och avsett syfte

Denna bruksanvisning är avsedd för användning av läkare och brukare om inget annat anges.

Termen *enhet* används i hela denna bruksanvisning för att referera till EliteVT.

Läs och se till att du förstår hela bruksanvisningen, särskilt all säkerhetsinformation och alla underhållsinstruktioner.

Användningssätt

Denna enhet får endast användas som en del av en underbensprotes.

Avsedd för en enda brukare.

En fot som återfjädrar med hög energi. Oberoende häl- och tåfjädrer ger axiell avböjning. Den delade tån ger god följsamhet mot marken. Denna enhet innefattar också ett fjäderelement som kan absorbera axiella och roterande stötar, avsett att minska skjuvningskraften vid kontaktytan mellan resterande extremitet och hylsan.

Funktioner

- Precisionstitanfjädrer för vertikal kompression och axiell rotation
- Linjär respons på axiell belastning
- Effektiv energiåterfjädring
- Oberoende fotfjädrar av e-kol
- Hälkil för justering av fjäderstyvheten

Aktivitetsnivå

Den här enheten rekommenderas för brukare som har potential att uppnå aktivitetsnivå 3 eller 4. Det finns naturligtvis undantag och i vår rekommendation vill vi tillåta unika, individuella omständigheter. Varje sådant beslut bör fattas med en sund och grundlig motivering.

Aktivitetsnivå 1

Har förmåga eller potential att använda protes för förflyttning eller rörlighet på plana ytor i jämn takt. Typiskt för en patient som rör sig begränsat eller obegränsat.

Aktivitetsnivå 2

Har förmåga eller potential att förflytta sig förbi enkla hinder som trottoarkanter, trappor eller ojämna ytor. Typiskt för en patient som rör sig begränsat ute i samhället.

Aktivitetsnivå 3

Har förmåga eller potential att förflytta sig i variabel takt.

Typiskt för en person som har förmåga att ta sig förbi de flesta hinder i miljön och som kan bedriva yrkesmässig, terapeutisk eller motionsinriktad aktivitet som kräver att protesen kan användas för mer än bara enkel förflyttning.

Aktivitetsnivå 4

Har förmåga eller potential att förflytta sig med hjälp av en protes som överskrider den grundläggande rörelseförmågan och har höga stöt-, belastnings- eller energinivåer. Typiskt för behovet av protes hos ett barn, en aktiv vuxen eller en idrottsman.

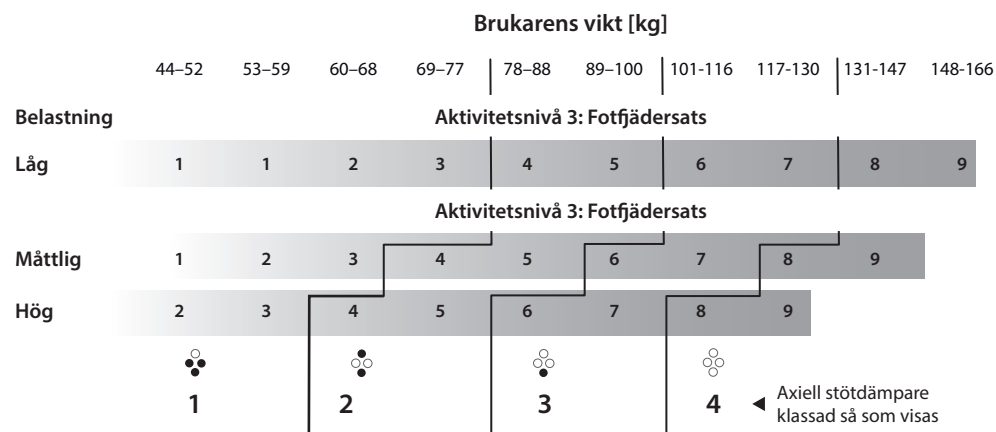
Kontraindikationer

Den här enheten är kanske inte lämplig för personer på aktivitetsnivå 1 eller för tävlingsinriktade idrottsevenemang, eftersom dessa typer av brukare har bättre nytta av en särskilt utformad protes som är optimerad för deras behov.

Klinisk nytta

- Tillåter variabla körningshastigheter
- Ökad gånghastighet jämfört med styva pyloner
- Höga mobilitetsnivåer för aktiva brukare, jämfört med fötter utan energilagring och återfjädring, hydrauliska fotleder, fötter i flexfotstil och flexgångstil
- Förbättrad protetisk fränstötning jämfört med fötter med fast fotled och dämpad häl
- Ökad positiv verkan av protesen jämfört med fötter med lägre aktivitet
- Hög grad av brukarnöjdhet, särskilt hos brukare med hög aktivitet
- Minskad belastning på kvarvarande extremitet jämfört med styva pyloner
- Minskad ryggsmärta vid vridning jämfört med styva pyloner

Val av fjädersats



Låg Dagliga promenader och enstaka sporter som golf och vandring

Måttlig Snabba promenader, ofta förekommande eller dagliga sporter som jogging

Hög Dagliga aktiviteter såsom distanslöpning, klättring, lyft och transport av tunga föremål i arbetet

 **Varning:** För brukare med högre belastning får viktgränsen inte överskridas för enskilda fjädrar.

Obs... Om du är osäker i valet mellan två kategorier ska du välja den högre fjädersatsen.

De rekommenderade fotfjädersatser som visas är avsedda för transtibiala brukare.

För transfemorala brukare föreslår vi att en fotfjädersats i en kategori lägre väljs.

När fjädrarna har monterats ska lämpliga linjer på bäraren täckas med permanent svart märkpena så att numret på fjädersatsen visas.



2 Säkerhetsinformation



Denna varningssymbol visas vid viktig säkerhetsinformation som måste följas noggrant.



Eventuella förändringar i extremitetens prestanda eller funktion, t.ex. begränsade eller för stora rörelser, osmidig rörelse eller ovanliga ljud, ska omedelbart rapporteras till din serviceleverantör.



Använd alltid ett räcke när du går nedför trappor och vid andra tillfällen om det finns något.



Enheten är inte lämplig för Extremsport, tävlingslöpning eller cykeltävlingar, is- och snösporter eller i extrema sluttningar eller trappor. Alla sådana aktiviteter utförs helt och hållet på brukarens egen risk. Cykling eller löpning för rekreation är acceptabelt.



Montering, underhåll och reparation av enheten får endast utföras av behörig vårdpersonal.



Brukaren rekommenderas att kontakta sin läkare om hens tillstånd förändras.



Se till att endast lämpliga, specialutrustade fordon används vid körning. Alla måste följa sina respektive trafiklagar vid framförande av motorfordon.



För att minimera risken för att halka och snubbla måste lämpliga skor som sitter säkert på fotskalet alltid användas.



Enheten är inte avsedd att användas i vatten eller som duschprotes. Torka omedelbart om extremiteten kommer i kontakt med vatten.

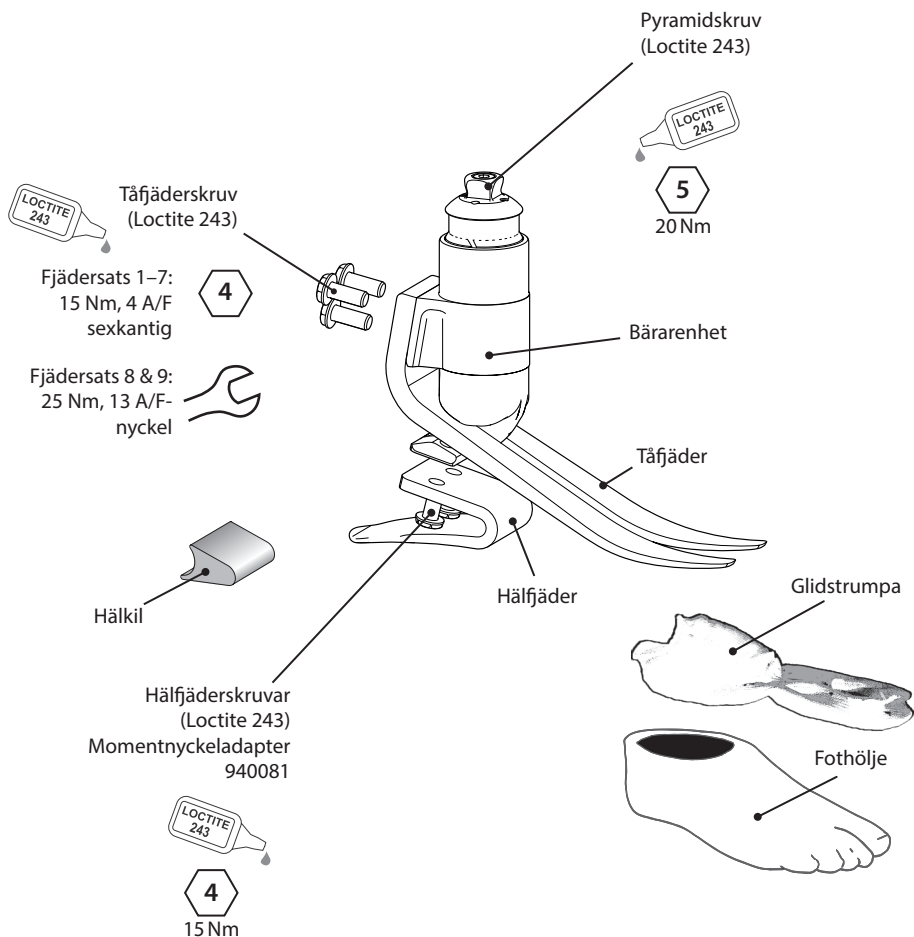


Var alltid uppmärksam på risken för att fingrar kommer i kläm.

3 Konstruktion

Huvuddelar

- Bärarenhet Aluminium/titan/rostfritt stål
- Häl- och täfjädrar e-kol
- Fjäderfästskruvar Titan
- Glidstrumpa UHM PE (polyeten med ultrahög molekylvikt)
- Fotskal PU (polyuretan)



4 Funktion

Enheten består av en tå av e-kol och en oberoende hälffäder. Bärarenheten innehåller en fjäderkomponent som tillåter pyramidröret att avböjas och/eller rotera inom ett begränsat område under axiell och/eller vridande belastning. När belastningen tas bort återgår fjädern till sitt ursprungliga läge. Effekten av denna rörelse är att dämpa eventuella stötkrafter som annars skulle överföras till kontaktytan mellan den resterande extremiteten och hylsan i både axiell och roterande riktning.

Häl- och tåfjädrarna fästs på bärarenheten med titanskruvar. Foten är inlindad i en strumpa av UHM PE som i sin tur omges av ett fothölje av PU.

5 Underhåll

Inspektera enheten regelbundet.

Rapportera eventuella förändringar av enhetens prestanda till läkaren/serviceleverantören, t.ex. ovanliga ljud, ökad styvhet eller begränsad/för stor rotation, betydande slitage eller kraftig missfärgning till följd av långvarig exponering för UV-ljus.

Informera läkaren/serviceleverantören om eventuella förändringar av kroppsvikt och/eller aktivitetsnivå.

Rengöring

Använd en fuktig trasa och mild tvål för att rengöra utsidan. Använd inte starka rengöringsmedel.

Övriga instruktioner i det här avsnittet är endast avsedda för läkaren.

Detta underhåll får endast utföras av kompetent personal (praktiserande läkare eller lämpligt utbildad tekniker).

Följande rutinunderhåll ska utföras minst en gång om året:

- Ta av fotskalet och glidstrumpan, kontrollera om de är skadade eller slitna och byt ut vid behov.
- Kontrollera att alla skruvar är åtdragna, se avsnitt *Konstruktion*. Rengör och återmontera dem vid behov.
- Kontrollera om häl- och tåfjädrarna visar tecken på delaminering eller slitage och byt ut dem vid behov. Vissa mindre skador på ytan kan uppstå efter en tids användning. Detta påverkar inte fotens funktion eller styrka.

Instruktioner för att hur fotskalet tas bort och fotfjädrar byts ut ingår i avsnittet *Borttagning av fotskal och byte av fotfjäder*.

Smörj vid behov fjäderns lagerytor. Så här gör du detta:

- Demontera enheten enligt instruktionerna i *Byte av axiell fjäder*.
- Applicera "Sapphire Endure" (928015) eller motsvarande PTFE-laddat fett på lagerytan och återmontera sedan.

Se till att brukaren har läst och förstått all information om säkerhet och underhåll på brukarnivå.

Informera brukaren om att en regelbunden visuell kontroll av foten rekommenderas och att tecken på slitage som kan påverka funktionen ska rapporteras till serviceleverantören (t.ex. betydande slitage eller kraftig missfärgning till följd av långvarig exponering för UV-ljus).

Om enheten används för extrem aktivitet bör underhållsnivån och -intervallen ses över och vid behov bör råd och teknisk support sökas för att planera ett nytt underhållsschema utifrån aktivitetens frekvens och art. Detta bör fastställas genom en lokal riskbedömning som utförs av en person med lämpliga kvalifikationer.

6 Begränsningar av användningen

Avsedd livslängd

En lokal riskbedömning bör utföras på grundval av aktivitet och användning.

Lyft av laster

Brukarens vikt och aktivitet styrs av de angivna gränserna.

Den belastning som brukaren kan transportera ska baseras på en lokal riskbedömning.

Miljö

Undvik att utsätta enheten för korroderande ämnen som vatten, syror och andra vätskor. Undvik också nötande miljöer som t.ex. sandhaltiga, eftersom dessa kan orsaka förtida slitage.

Uteslutande för användning mellan -15 °C och 50 °C .

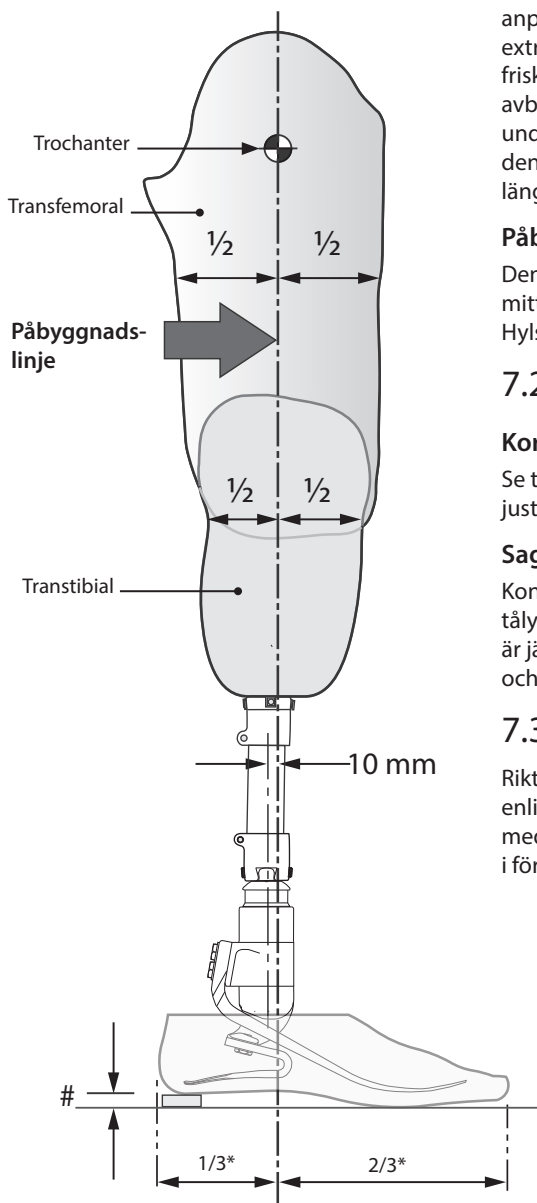


Lämplig för utomhusbruk

7 Inriktning på arbetsbänken

Instruktionerna i det här avsnittet är endast avsedda för läkaren.

7.1 Statisk inriktning



Inställningslängd

När flexion, adduktion och abduktion har anpassats på lämpligt sätt ställer du in extremitetens längd 10 mm längre än på den friska sidan för att möjliggöra kompression och avböjning av foten och de axiella stötfjädrarna under gång. Detta bör bedömas på nytt innan den dynamiska prövningen påbörjas och längden justeras därefter.

Påbyggnadslinje

Denna ska falla 10 mm framför pyramidens mitt (med hänsyn tagen till lämplig höjd). Hylsan ska placeras i enlighet med detta.

7.2 Dynamisk inriktning

Koronalplanet

Se till att M-L-trycket blir minimalt genom att justera hylsans och fotens relativa lägen.

Sagittalplanet

Kontrollera att övergången från hälsättning till tålyft är smidig. Se också till att hälen och tån är jämnt belastade när brukaren står upprätt och att båda två vidrör golvet.

7.3 Transfemoralt inriktning

Rikta in de transfemorala komponenterna enligt inpassningsanvisningarna som medföljer knäet och håll påbyggnadslinjen i förhållande till foten enligt bilden.

#Skapa utrymme för brukarens egna skor

*Ungefärligt förhållande

8 Inpassningsråd

Instruktionerna i det här avsnittet är endast avsedda för läkaren.

Fjädrar levereras som matchade set, dvs häl, tå och axiella fjädrar är utformade för att fungera tillsammans för att ge jämn övergång för de flesta brukare.

Hälkil

En hälkil medföljer foten. När kilen monteras blir häl fjädern styvare. Dessa kan tejpas på plats för utprovning. För permanent montering ska kilarna fästas på plats med Loctite 424 (926104) mellan hälens nedre kontaktyta och kilen.

Hälens styvhet

Progressionen under hela gångfasen ska vara smidig, och hälens funktion är nyckeln till denna process:

- För mjuk häl eller en alltför posterior belastningslinje leder till att hälen sjunker ned och att det är svårt att komma över tån.
- För hård häl eller en alltför kraftig främre belastningslinje leder till en snabb övergång genom stegets mitt eller stötar vid isättning av hälen.

Axiell styvhet

Den axiella fjädern styr både kompressions- och vridningsmotstånd. En typisk vertikal rörelse bör vara 3–6 mm för normal gång. Fjädrar med alternativ styvhet finns tillgängliga vid behov.

| | Symptom | Åtgärd |
|----------------------------|--|--|
| Hälen är för mjuk | <ul style="list-style-type: none">• Sjunker ned när hälen sätts i• Svårt att komma över tån (tån känns för hård) | <ol style="list-style-type: none">1. Lägg till en hälkil2. Flytta hylsan framåt i förhållande till foten (för stora rörelser kan leda till att den tappas)3. Om 1 och 2 inte fungerar, montera en styvare fjädersats |
| Hälen är för hård | <ul style="list-style-type: none">• Snabb övergång från hälisättning genom den stående fasen• Svårt att kontrollera hälens funktion, foten fastnar mitt i steget• Foten känns för styv | <ol style="list-style-type: none">1. Ta bort hälkilen (om en sådan är monterad)2. Flytta hylsan bakåt i förhållande till foten3. Om 1 och 2 inte fungerar, montera en mjukare fjädersats |
| Tån/fotbladet är för mjukt | <ul style="list-style-type: none">• Snabb förflyttning genom stegets mitt• "Släpper" vid högre aktivitetsnivåer | <ol style="list-style-type: none">1. Flytta hylsan bakåt i förhållande till foten2. Plantarflexa foten något – Obs! Viss ny justering kan krävas |

Obs... Kontakta leverantören om det inte går att få till en jämn gång efter att ha följt ovanstående råd.

9 Borttagning av fotskal och byte av fotfjäder

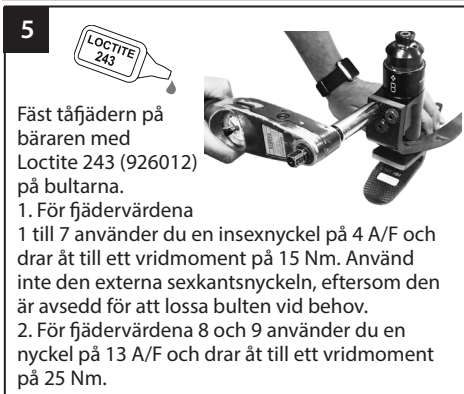
Instruktionerna i det här avsnittet är endast avsedda för läkaren.



Använd alltid lämplig hälso- och säkerhetsutrustning, inklusive utsugsutrustning.



Var alltid medveten om risken för att fingrarna kommer i kläm.



7



Markera bäraren med fjäderkategorin efter behov och passa in glidstruppan enligt bilden.

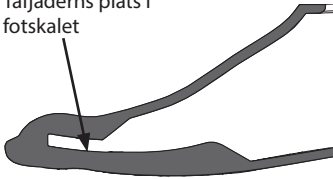
8



För in enheten i fotskalet och skjut tåfjädersn, bäraren och hälen framåt i fotskalet så långt som möjligt.

9

Tåfjäders plats i fotskalet



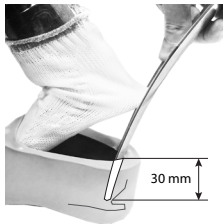
Se till att tåfjädersn passas in på rätt sätt på sin plats i fotskalet.

10



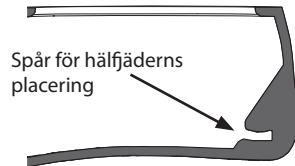
Skjut in ett skohorn av metall mellan hälfjädersn och baksidan av fotskalets öppning. Tryck ned fjädersn i fotskalet samtidigt som du trycker hela enheten nedåt.

11



Skohornet ska placeras ca 30 mm under fotskalets övre yta för att säkerställa att hälfjädersn aktiveras ordentligt.

12



Se till att hälfjädersn sitter korrekt i sitt uttag i fothöljet.

13

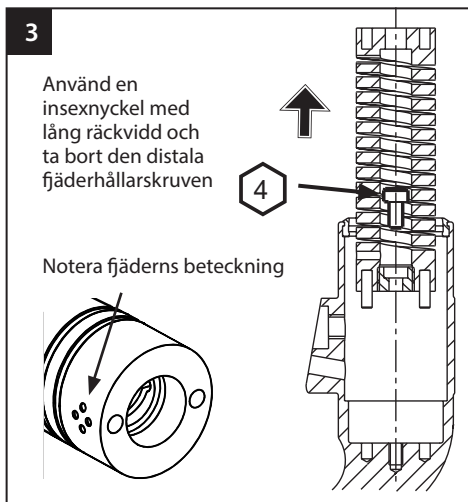
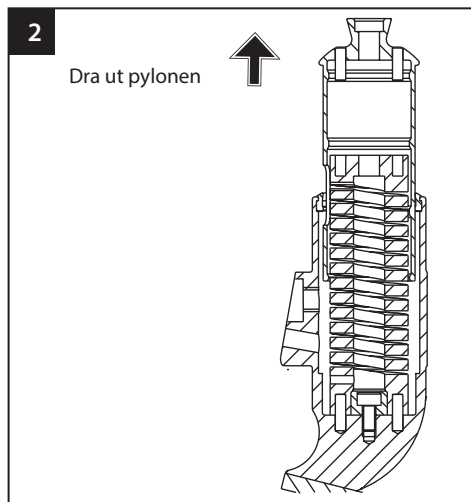
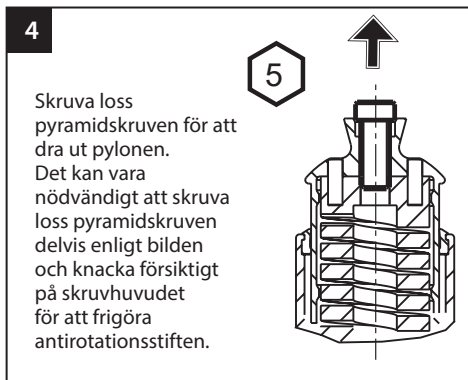
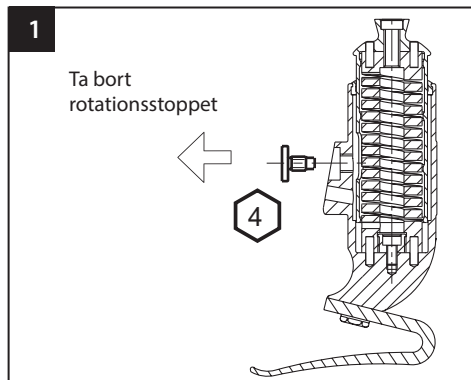


Limma fast skumkosmetiken på fothöljets övre yta enligt bilden med Thixofix-lim (926204) eller motsvarande och forma till den så att den passar.

10 Byte av axiell fjäder

Instruktionerna i det här avsnittet är endast avsedda för läkaren.

Ta ut ur fotskalet på det sätt som tidigare visats



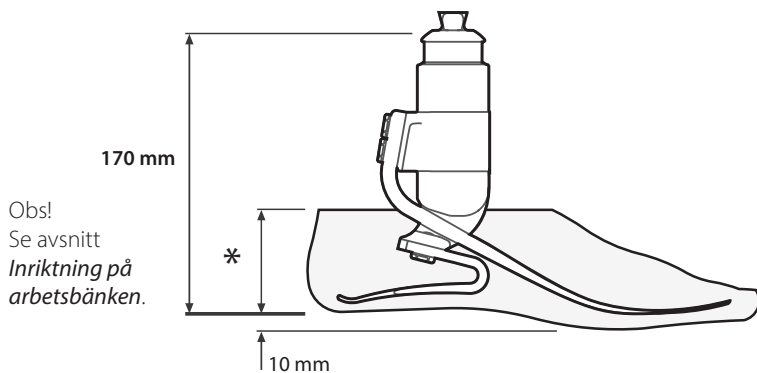
Smörj lagerytan med "Sapphire Endure" (928015) eller motsvarande PTFE-laddat fett om det behövs.

Återmonteringen sker i motsatt ordning som det ovanstående. Notera antirotationsstiftens position och placering i den axiella fjädern och orienteringen på spåret i pylonen (bakre). Applicera Loctite och applicera vridmoment på skruvarna på det sätt som visas i avsnitt *Konstruktion*.

11 Tekniska uppgifter

| | |
|-------------------------------------|-------------------------|
| Temperatur vid drift och förvaring: | -15 °C till 50 °C |
| Komponentvikt (storlek 26): | 1000 g |
| Aktivitetsnivå: | 3–4 |
| Maximal brukarvikt: | 166 kg |
| Justeringsintervall: | ±7° vinkling |
| Maximal rotation | ±15° |
| Typisk axiell rörelse | 3–6 mm (max 10 mm) |
| Proximal infästning: | Hanpyramid (Blatchford) |
| Påbyggnadshöjd: | 170 mm |
| Hälhöjd | 10 mm |

Inpassningslängd:



* Storlekar
22–26 = 65 mm
27–28 = 70 mm
29–30 = 75 mm

12 Beställningsinformation

Exempel på beställning

| | | | | | | |
|------------|-----------|---------------|-----------------|------------|------------------------|-------------|
| EVT | 25 | L | N | 7 | 3 | S |
| | Storlek | Sida (V/H) | Bredd* (N/B) | Fjädersats | Stötdämpande fjäder | Öppen tä |

t.ex. EVT25LN73S

*Endast storlekarna 25–28. Utelämnat fältet för bredd (B) för alla andra storlekar.

Finns från storlek 22
till storlek 30:
EVT22L11S
till EVT30R94S
EVT22L11SD
till EVT30R94SD

(Lägg till "D" för ett
fothölje i mörk nyans)

Fjädersats

| Fjädersats | Fotens storlek | | | |
|------------|----------------|---------|---------|--------------------|
| | 22–24 | 25–26 | 27–28 | 29–30 |
| Sats 1 | 539701S | 539710S | 539719S | Specialbeställning |
| Sats 2 | 539702S | 539711S | 539720S | Specialbeställning |
| Sats 3 | 539703S | 539712S | 539721S | 539730S |
| Sats 4 | 539704S | 539713S | 539722S | 539731S |
| Sats 5 | 539705S | 539714S | 539723S | 539732S |
| Sats 6 | 539706S | 539715S | 539724S | 539733S |
| Sats 7 | 539707S | 539716S | 539725S | 539734S |
| Sats 8 | 539708S | 539717S | 539726S | 539735S |
| Sats 9 | | 539718S | 539727S | 539736S |

Fothölje

(För mörk, lägg till "D" (dark))

| Storlek/sida | Smal | Bred |
|--------------|----------|----------|
| 22L | 539038S | - |
| 22R | 539039S | - |
| 23L | 539040S | - |
| 23R | 539041S | - |
| 24L | 539042S | - |
| 24R | 539043S | - |
| 25L | 539044SN | 539044SW |
| 25R | 539045SN | 539045SW |
| 26L | 539046SN | 539046SW |
| 26R | 539047SN | 539047SW |
| 27L | 539048SN | 539048SW |
| 27R | 539049SN | 539049SW |
| 28L | 539050SN | 539050SW |
| 28R | 539051SN | 539051SW |
| 29L | - | 539052S |
| 29R | - | 539053S |
| 30L | - | 539054S |
| 30R | - | 539055S |

Axiella fjädrar

| | |
|--------------|--------|
| Beteckning 1 | 539058 |
| Beteckning 2 | 539059 |
| Beteckning 3 | 539060 |
| Beteckning 4 | 539061 |

Glidstrumpa

| | |
|---------------|--------|
| Storlek 22–24 | 531011 |
| Storlek 25–30 | 532811 |

Ansvar

Tillverkaren rekommenderar att enheten endast används under angivna förhållanden och för avsedda ändamål. Enheten måste underhållas i enlighet med de instruktioner som medföljer enheten. Tillverkaren ansvarar inte för eventuella negativa resultat som orsakas av komponentkombinationer som tillverkaren inte har godkänt.

CE-överensstämmelse

Denna produkt uppfyller kraven i EU-förordningen 2017/745 för medicintekniska produkter. Denna produkt är klassificerad som en klass I-produkt enligt de klassificeringsregler som anges i Bilaga VIII till förordningen. EU-försäkran om överensstämmelse finns på följande internetadress: www.blatchford.co.uk



Medicinteknisk utrustning



En patient – flera användningar

Kompatibilitet

Kombination med Blatchford-märkta produkter är godkänt baserat på tester i enlighet med relevanta standarder och MDR, inklusive strukturellt test, dimensionell kompatibilitet och övervakade fältprestanda.

Kombination med alternativa CE-märkta produkter måste utföras med hänsyn till en dokumenterad lokal riskbedömning som utförts av en praktiserande läkare.

Garanti

Den här enheten har 36 månaders garanti – fothöljet 12 månader – glidstrumpan 3 månader. Brukaren bör vara medveten om att ändringar eller modifieringar som inte uttryckligen godkänts kan upphäva garantin, användningslicenserna och undantagen. På Blatchfords webbplats finns aktuell fullständig garanti.

Rapportering av allvarliga incidenter

Om det mot förmodan skulle inträffa en allvarlig incident i samband med den här enheten ska denna rapporteras till tillverkaren och den nationella behöriga myndigheten.

Miljöaspekter

Om möjligt ska komponenterna återvinnas i enlighet med lokala föreskrifter för avfallshantering.

Spara förpackningsetiketten

Praktiserande läkare rekommenderas att spara förpackningsetiketten som journal över den levererade enheten.

Varumärkesinformation

Elite Foot och Blatchford är registrerade varumärken som tillhör Blatchford Products Limited.

Tillverkarens registrerade adress

Blatchford Products Limited, Lister Road, Basingstoke RG22 4AH, Storbritannien.

| | |
|---|----|
| Содержание | 77 |
| 1 Описание и Основное Назначение | 78 |
| 2 Техника безопасности | 80 |
| 3 Конструкция | 81 |
| 4 Функциональность | 82 |
| 5 Техническое обслуживание | 82 |
| 6 Ограничения при эксплуатации | 83 |
| 7 Стендовая юстировка | 84 |
| 7.1 Статическая юстировка | 84 |
| 7.2 Динамическая юстировка | 84 |
| 7.3 Бедренная юстировка | 84 |
| 8 Рекомендации по сборке | 85 |
| 9 Демонтаж косметической калоши и замена пружин стопы | 86 |
| 10 Замена осевой пружины торсионного амортизатора | 88 |
| 11 Спецификация | 89 |
| 12 Информация для заказа | 90 |

1 Описание и Основное Назначение

Если не оговорено иное, данная Данная инструкция предназначена для протезиста и пользователя, если не оговорено иное.

Термин *устройство* относится к стопе EliteVT и будет использован далее в настоящей инструкции. Внимательно прочитайте данную инструкцию и убедитесь в том, что вам все понятно в ней, особое внимание следует уделить разделам, посвященным технике безопасности и техническому обслуживанию.

Область применения

Данное устройство должно использоваться исключительно как составная часть протеза нижней конечности.

Устройство предназначается для индивидуального использования.

Данное устройство обладает высокой рекуперацией энергии. Независимые в работе пружины пятки и мыска стопы обеспечивают осевое отклонение. Расщепленная пружина мыска обеспечивает отличную адаптацию стопы к опорной поверхности. Данное устройство содержит пружинный элемент, предназначенный для амортизации вертикальных осевых нагрузок и торсионный элемент, предназначенный для снижения нежелательных стригущих нагрузок в области интерфейса культи/ гильзы.

Особенности

- Прецизионная осевая пружина торсионного амортизатора, изготовленная из титанового сплава, предназначена для амортизации вертикального осевого ударного воздействия и торсионной осевой ротации
- Линейная реакция на осевую нагрузку
- Эффективная рекуперация энергии
- Независимые в работе пружины, изготовленные из композиционного углеволокна e-carbon
- Пяточный клин, для юстировки жесткости пружины пятки

Уровень двигательной активности

Данное устройство может быть рекомендовано для назначения пользователям, у которых имеется потенциал для достижения Уровня Двигательной Активности 3 или 4. Однако с учетом отдельных обстоятельств существуют индивидуальные исключения для некоторых пользователей, однако это назначение должно быть оправданным и приниматься с учетом общего состояния здоровья.

Уровень двигательной активности 3

Пользователь обладает способностью или имеет достаточный потенциал для перемещения на протезе в переменном темпе вне помещения.

Данный уровень типичен для пользователей, которые могут преодолевать большинство естественных препятствий, а также имеющих дополнительные потребности при использовании протеза не только для простого перемещения, но например, при ведении профессиональной деятельности, прохождении лечебно-профилактических процедур или иной деятельности.

Уровень двигательной активности 4

Пользователь обладает способностью или имеет достаточный потенциал для перемещения на протезе вне помещения, превышающий базовые типы перемещений, и сталкивающийся с повышенными вертикальными ударными воздействиями, связанными с высокой нагрузкой на протез при ходьбе. Данный уровень типичен для детей, активных взрослых или спортивных пользователей.

Уровень Двигательной Активности 3

Пользователь обладает способностью или имеет достаточный потенциал для перемещения на протезе в переменном темпе вне помещения. Данный уровень типичен для пользователей, которые могут преодолевать большинство естественных препятствий, а также имеющих дополнительные потребности при использовании протеза не только для простого перемещения, но например, при ведении профессиональной деятельности, прохождении лечебно-профилактических процедур или занятий любительским спортом.

Уровень Двигательной Активности 4

Пользователь обладает способностью или имеет достаточный потенциал для перемещения на протезе вне помещения, превышающий базовые типы перемещений, и сталкивающийся с повышенными вертикальными ударными воздействиями, связанными с высокой нагрузкой на протез при ходьбе. Данный уровень типичен для детей, активных взрослых или спортивных пользователей.


Противопоказания

Данное устройство может не подходить для пользователей с Уровнем Двигательной Активности 1 или для участия в профессиональных спортивных состязаниях, для таких пользователей рекомендуется использовать специальные протезные системы, оптимальные для удовлетворения их потребностей.

Клинические преимущества

- Устройство позволяет осуществлять бег в переменном темпе
- Увеличена скорость ходьбы, по сравнению с устройствами, имеющими жесткую привязку опоры голени
- Высокие уровни мобильности для пользователей с высокой двигательной активностью, по сравнению с устройствами, не имеющими рекуперации энергии, гидравлической щиколотки, а также стопами имеющими конструкции гибкая стопа («flex-foot») и гибкая ходьба («flex-walk»).
- Улучшенная работа устройства при отталкивании от опорной поверхности, по сравнению со стопами имеющими связку жесткая щиколотка/амортизирующая пятка.
- Увеличена полезная работа стопы по сравнению со стопами, предназначенными для невысокой двигательной активности.
- Высокая степень удовлетворенности пользователей протезом, особенно у пользователей, обладающих высокой двигательной активностью.
- Снижена скорость нарастания нагрузки на культю, по сравнению с протезными системами, использующими жесткие опоры голени/пилоны.
- Снижаются боли в спине за счет применения торсионного амортизатора, по сравнению с протезными системами, использующими жесткие опоры голени/пилоны.

Таблица выбора пружин стопы

| | Вес пользователя[кг] | | | | | | | | | |
|--|---|-------|---|-------|---|--------|---|---------|---------|---|
| | 44-52 | 53-59 | 60-68 | 69-77 | 78-88 | 89-100 | 101-116 | 117-130 | 131-147 | 148-166 |
| Уровень вертикального осевого ударного воздействия | Уровень Двигательной Активности 3: Набор пружин стопы | | | | | | | | | |
| Низкий | 1 | 1 | 2 | 3 | 4 | 5 | 6 | 7 | 8 | 9 |
| | Уровень Двигательной Активности 4: Набор пружин стопы | | | | | | | | | |
| Умеренный | 1 | 2 | 3 | 4 | 5 | 6 | 7 | 8 | 9 | |
| Умеренный | 2 | 3 | 4 | 5 | 6 | 7 | 8 | 9 | | |
| |  1 | |  2 | |  3 | |  4 | | | |
| | | | | | | | | | | Категория жесткости осевой пружины торсионного амортизатора |
| Низкий | Обычные повседневные прогулки и эпизодические занятия спортом, например, игра в гольф или пеший туризм. | | | | | | | | | |
| Умеренный | Агрессивная ходьба, частые или повседневные занятия спортом, например, бег трусцой | | | | | | | | | |
| Высокий | Повседневные занятия спортом, например, бег на средние дистанции, лазание, подъем и перенос умеренных тяжестей во время профессиональной деятельности | | | | | | | | | |

⚠ Внимание: Для наиболее активных пользователей, с высокими показателями вертикального осевого ударного воздействия, не допускается превышение ограничения по весу для индивидуально подобранных пружин.

Примечание... При возникновении сомнений относительно выбора между двумя категориями жесткости набора пружин стопы, следует выбрать наиболее жесткую категорию.

Приведенные рекомендации по выбору категории жесткости пружин стопы предназначены для пользователей с ампутацией на уровне голени.

Для пользователей с ампутацией на уровне бедра мы рекомендуем выбрать категорию жесткости пружин стопы на одну категорию ниже, чем приведена в таблице.

После установки пружин стопы для обозначения их категории жесткости закрасьте соответствующие линии на сборке несущей при помощи черного перманентного маркера.



2 Техника безопасности



Символом «Внимание» выделяются наиболее важные правила, которые должны соблюдаться неукоснительно.



При любых изменениях в работе или функциональности протеза, например, неустойчивости, двойном срабатывании, ограничении диапазона движения, не плавном перемещении или возникновении посторонних шумов, пользователь обязан немедленно сообщить об этом своему протезисту.



При спуске по лестнице, а также везде, где это возможно, используйте опорные перила.



Устройство не предназначается для экстремальных спортивных занятий, забегов, велогонок, соревнований на коньках, лыжах, санках, а также для ходьбы по экстремальным наклонным опорным поверхностям и стремянкам. В этом случае вся ответственность за возможные последствия целиком возлагается на пользователя протезной системы. Допускается любительская езда на велосипеде.



К установке, настройке и техническому обслуживанию устройства допускается только специально обученный и сертифицированный в учебных центрах Blatchford персонал.



Пользователь также обязан незамедлительно сообщить своему протезисту о любых ощутимых изменениях в своем состоянии (в массе тела и/или уровне двигательной активности, а также условий эксплуатации протеза, например, при переезде из городской в сельскую местность).



Убедитесь в том, чтобы ваше транспортное средство было оборудовано всем необходимым для управления человеком с ограниченными возможностями. При вождении транспортного средства пользователь обязан строго соблюдать правила дорожного движения.



Для снижения потенциального риска подскользывания и спотыкания, необходимо всегда использовать подходящую обувь, которая надежно облегает косметическую калошу стопы.



Устройство не предназначено для использования в воде или в качестве протеза для принятия водных процедур. Если устройство подверглось контакту с водой, следует немедленно вытереть его насухо.



Всегда помните о потенциальной опасности защемления пальцев рабочими механизмами устройств.

3 Конструкция

Составные части:

- Сборка несущей стопы
Алюминиевый сплав/ титановый сплав/
нержавеющая сталь
- Пружины пятки и мыска стопы
Композиционное углеволокно e-carbon
- Болты крепления пружин стопы
Титановый сплав
- Скользящий носок
Сверхвысокомолекулярный полиэтилен
- Косметическая калоша
Полиуретан



4 Функциональность

Данное устройство включает в себя независимые в работе пружины пятки и мыска стопы, выполненные из композиционного углеволокна e-carbon. К сборке несущей стопы крепится специальный пружинный компонент, который позволяет торсионному амортизатору с адаптером-пирамидкой отклоняться и/или вращаться в ограниченном диапазоне под воздействием осевой нагрузки и/или крутящего момента. После снятия нагрузок пружина возвращается в исходное положение. Эффект от этого движения заключается в ослаблении любых нежелательных нагрузок, как в осевом, так и во вращательном направлениях, которые в противном случае передавались бы на интерфейс культи/гильза. Пружины пятки и мыска крепятся к несущей сборке стопы при помощи болтов из титанового сплава. Конструкция стопы помещена в специальный скользящий носок из сверхвысокомолекулярного полиэтилена, который предохраняет внутреннюю часть полиуретановой косметической калоши от повреждений.

5 Техническое обслуживание

Для данного устройства требуется регулярный визуальный осмотр.

Пользователь обязан сообщить своему протезисту о любых ощутимых изменениях в работе данного устройства, например, необычные шумы, повышенная жесткость или ограниченное/чрезмерное вращение, значительный износ или чрезмерное изменение цвета в результате длительного воздействия УФ-излучения.

Пользователь также обязан незамедлительно сообщить своему протезисту о любых изменениях в массе тела и/или уровне двигательной активности, а также условий эксплуатации протеза, например, при переезде из городской в сельскую местность.

Очистка от загрязнений

Для очистки внешней поверхности используйте влажную не ворсистую ткань и детское мыло, не используйте агрессивные моющие средства.

Последующие инструкции данного раздела предназначены только для протезиста.

Техническое обслуживание имеет право производить только сертифицированный персонал, прошедший обучение в учебных центрах Blatchford (врач или протезист соответствующей квалификации).

Рекомендуется ежегодно проводить следующие мероприятия по техническому обслуживанию:

- Снимите косметическую калошу и скользящий носок, проверьте их на наличие повреждений или признаков износа, при необходимости замените.
- Проверьте надежность крепления всех механических винтовых соединений, см. Раздел *Конструкция*; при необходимости очистите винты от загрязнений и установите на место.
- Проверьте состояние пружин мыска и пятки стопы на наличие признаков расслоения материала или износа, замените при необходимости. В процессе эксплуатации могут возникнуть небольшие поверхностные повреждения, которые не влияют на функциональность и прочность стопы.

Инструкции по демонтажу косметической калоши и замене пружин стопы включены в раздел «Демонтаж косметической калоши и замена пружин стопы».

При необходимости повторно смажьте поверхность втулок-подшипников пружин. Для этого:

- Разберите устройство так, как это показано в разделе инструкции по замене осевой пружину торсионного амортизатора.
- При повторной установке нанесите сапфировую смазку (928015) или аналогичную политетрафторэтиленовую (PTFE) смазку на поверхность втулок-подшипников.

Убедитесь, что пользователь прочитал и понял всю касающуюся информацию, посвященную технике безопасности и техническому обслуживанию.

Пользователь должен быть предупрежден о необходимости проведения регулярного визуального осмотра стопы, а при обнаружении признаков износа, которые могут повлиять на функциональность устройства, следует немедленно сообщить протезисту (например, при значительном износе или чрезмерном обесцвечивании в результате длительного воздействия УФ-излучения).

Если данное устройство используется в условиях экстремальной двигательной активности, то уровень и временной интервал проведения технического обслуживания могут быть изменены, в зависимости от частоты и характера двигательной активности. При этом должна быть проведена компетентная индивидуальная оценка степени локального риска.

6 Ограничения при эксплуатации

Срок службы

Срок службы изделия определяется с учетом локальной оценки степени риска, основанной на двигательной активности пользователя и рода деятельности пользователя

Поднятие тяжестей

Ограничения зависят от веса пользователя и его уровня двигательной активности.

При переносе тяжестей пользователем должна быть учтена локальная оценка степени риска.

Условия эксплуатации

При эксплуатации устройства следует избегать воздействие коррозионных реагентов, таких как вода, кислоты и прочие жидкости. Также следует избегать воздействие абразивных сред как, например, песок, поскольку это может вызвать преждевременный износ изделия.

Устройство допускается эксплуатировать только в температурном диапазоне от -15 °C до +50 °C (от 5 °F до 122 °F).

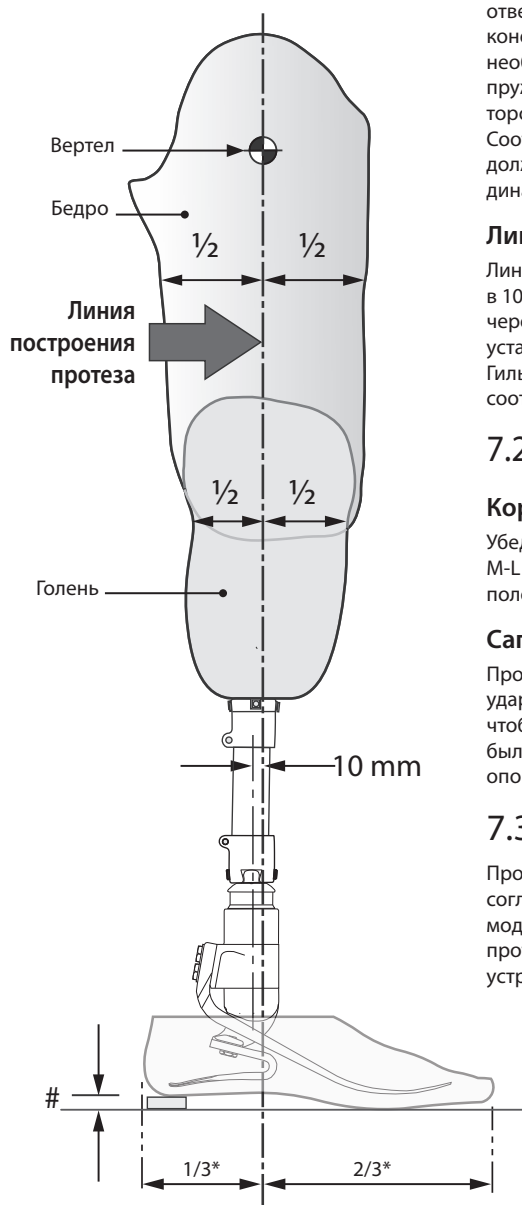


Подходит для всепогодной эксплуатации

7 Стендовая юстировка

Последующие инструкции данного раздела предназначены только для протезиста.

7.1 Статическая юстировка



Настройка длины

Для корректного сгибания, разгибания, отведения и приведения, установите протезную конечность на 10 мм длиннее здоровой, это необходимо для учета сжатия и отклонения пружин стопы, и сжатия осевой пружины торсионного амортизатора во время ходьбы. Соответствующая корректировка длины должна быть проведена до начала пробного динамического испытания.

Линия построения протеза

Линия построения протеза должна проходить в 10мм спереди от осевой линии, проходящей через центр адаптера-пирамидки (с корректно установленной высотой подъема каблука). Гильза протеза должна быть позиционирована соответствующим образом

7.2 Динамическая юстировка

Корональная плоскость

Убедитесь в том, чтобы осевой сдвиг в плоскости M-L (медиально-латеральная) относительно положения гильзы и стопы был минимальным.

Сагиттальная плоскость

Проверьте плавность переката от пяточного удара до отрыва мыска. Также убедитесь в том, чтобы в положении стоя пятка и мысок стопы были равномерно нагружены и касались плоской опорной поверхности.

7.3 Бедренная юстировка

Произведите юстировку бедренных компонентов согласно инструкциям прилагаемым к коленному модулю, при этом осевая линия построения протеза должна проходить относительно данного устройства так, как это показано на рисунке.

#Размер зависит от высоты подъема каблука обуви, предпочитаемой пользователем

*Приблизительное соотношение

8 Рекомендации по сборке

Последующие инструкции данного раздела предназначаются только для протезиста.

Пружины для данного устройства поставляются наборами, то есть пружины мыска и пятки стопы, а также осевая пружина торсионного амортизатора сконструированы для совместной согласованной работы, поскольку это необходимо для обеспечения плавности переката при ходьбе, подходящей большинству пользователей.

Пяточный клин

Пяточный клин поставляется вместе со стопой. Пяточный клин устанавливается для увеличения жесткости пяточной пружины. Для пробной носки пяточный клин можно временно закрепить при помощи скотча. Для постоянного крепления пяточный клин фиксируется к нижней контактной поверхности пружины пятки при помощи клея «Loctite 424» (шифр: 926104).

Жесткость пружины пятки

Перекал в процессе фазы переноса должно быть плавным, поэтому для данного процесса работа пружины пятки является ключевой:

- Излишне мягкая пятка или чрезмерно смещенная назад осевая линия нагрузки приведут к понижению пяточного удара и затруднению переноса мыска стопы
- Излишне твердая пятка или чрезмерно смещенная вперед осевая линия нагрузки приведут к излишне быстрому перемещению в середине фазы переноса или вызовут вибрирование при пяточном ударе.

Осевая жесткость

Осевая пружина торсионного амортизатора обеспечивает как осевую амортизацию, так и торсионное упругое скручивание. Типичное значение вертикального сжатия амортизации при нормальной ходьбы лежит в пределах 3–6 мм. При необходимости можно применять альтернативные жесткие осевые пружины, поставляемые прод заказ.

| | Симптомы | Методы решения |
|--|--|---|
| Пяточная пружина излишне мягкая | <ul style="list-style-type: none">• Излишняя амортизация пяточного удара• Затрудненный перенос мыска (мысок ощущается излишне жестким) | <ol style="list-style-type: none">1. Установите пяточный клин2. Сместите гильзу немного вперед относительно стопы (чрезмерное смещение может привести к падению)3. Если действия, описанные в пунктах 1 и 2 не привели к желаемым результатам, попробуйте установить более жесткий набор пружин стопы |
| Пяточная пружина излишне жесткая | <ul style="list-style-type: none">• Быстрый перекал при пяточном ударе в процессе фазы опоры• Затруднения в управлении действием пружины пятки, стопа вибрирует в середине фазы опоры• Стопа ощущается слишком твердой | <ol style="list-style-type: none">1. Удалите пяточный клин (если он был установлен ранее)2. Сместите гильзу немного назад относительно стопы3. Если действия, описанные в пунктах 1 и 2 не привели к желаемым результатам, попробуйте установить более мягкий набор пружин стопы |
| Мысочная пружина опоры голени излишне мягкая | <ul style="list-style-type: none">• Быстрый перекал в середине фазы переноса.• 'Провал' при высоких уровнях двигательной активности | <ol style="list-style-type: none">1. Сместите гильзу немного назад относительно стопы2. Немного уменьшите плантарфлексию - примечание: может потребоваться проведение повторной юстировки |

Примечание...

Если Вы не можете достигнуть плавной походки после приведенных выше рекомендаций, пожалуйста свяжитесь с Вашим поставщиком.

9 Демонтаж косметической калоши и замена пружин стопы

Последующие инструкции данного раздела предназначены только для протезиста.



Всегда используйте соответствующее оборудование для обеспечения техники безопасности и охраны труда, включая персональные средства защиты.



Всегда помните о потенциальном риске защемления пальцев.

1



13A/F



Отвинтите крепежные болты пружины мыска стопы, используйте ключ 13A/F (шифр 940273).

2



Извлеките пружину мыска стопы из косметической калоши.

3



Осторожно поверните сборку несущей стопы/ пружину пятки в направлении к задней части стопы, и извлеките пружину пятки из паза внутри косметической калоши.

4



Резьбовой фиксатор
Loctite 243

Пружина пятки

Отвинтите и извлеките крепежные болты пружины пятки стопы. Установите новую пружину пятки стопы на несущую сборку стопы, при этом используйте резьбовой фиксатор «Loctite 243» (шифр 926012) и затяните крепежные болты с усилием в 15 Н. Используйте специализированный шестигранный ключ 940080, адаптер динамометрического ключа 940081 или 13 A/F комбинированный гаечный ключ 940273.

5



Резьбовой фиксатор
Loctite 243

Подсоедините пружину мыска к несущей стопы, на резьбу крепежных болтов следует нанести небольшое количество резьбового фиксатора «Loctite 243» (шифр 926012).



1. Для набора пружин с жесткостью с 1 по 7 используйте ключ 4 A/F и затяните крепежные болты с усилием 15 Нм. Не используйте накидной ключ, который применяется при необходимости только для отвинчивания крепежных болтов.
2. Для набора пружин с жесткостью 8 и 9 используйте ключ 13 A/F и затяните болты с усилием 25 Нм.

6



При необходимости использования косметической облицовки из вспененного полимера, необходимо зашкурить верхнюю поверхность косметической калоши стопы для обеспечения надежного приклеивания.

7



Убедитесь в том, что на несущей сборке стопы указана жесткость установленного набора пружин, после этого наденьте скользящий носок так, как это показано на рисунке.

8



Осторожно задвиньте сборку стопы в косметическую калошу, при этом аккуратно протолкните пружину мыска, несущую сборку стопы и пружину пятки в косметическую калошу, как можно дальше вглубь.

9

Размещение пружины мыска в пазах косметической калоши стопы



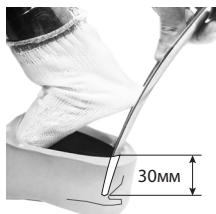
Убедитесь в том, что пружина мыска стопы корректно установлена в соответствующий паз внутри косметической калоши

10



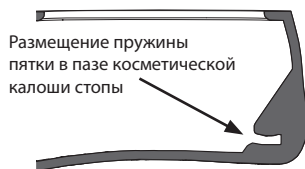
Аккуратно вставьте металлический обувной рожек между пружиной пятки и задней частью косметической калоши и осторожно вставьте сборку стопы внутрь косметической калоши.

11



Чтобы полностью поместить пяточную пружину в косметическую калошу, обувной рожек должен заходить на глубину приблизительно 30мм от верхней поверхности косметической калоши.

12



Размещение пружины пятки в пазах косметической калоши стопы

Убедитесь в том, чтобы пружина пятки была корректно размещена в соответствующем пазах внутри косметической калоши стопы.

13

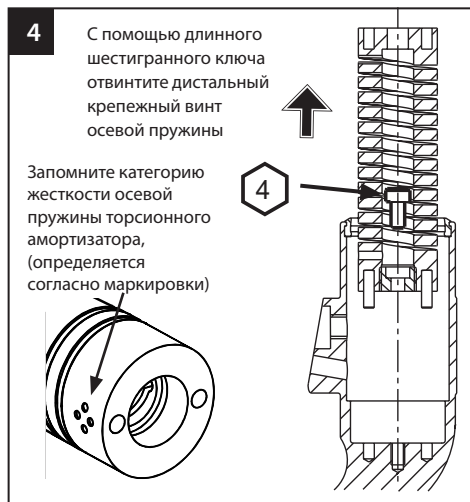
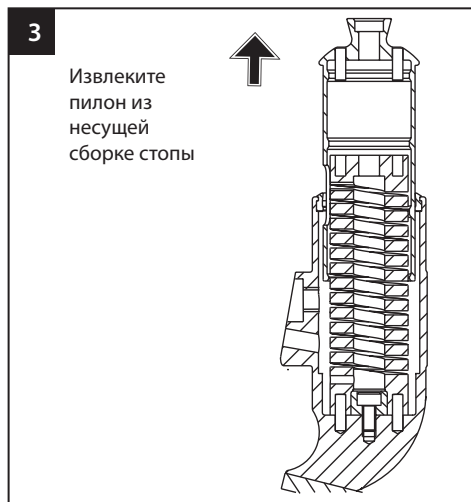
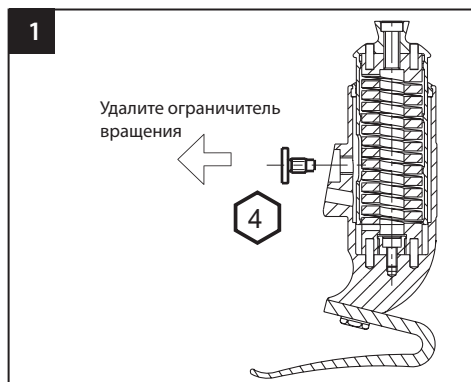


Подклейте косметическую облицовку из вспененного полимера к верхней поверхности косметической калоши стопы, для этого используйте клей «Тіхіобіх» (шифр 926204) или аналогичный клей, после склейки отформуйте облицовку соответствующим образом

10 Замена осевой пружины торсионного амортизатора

Последующие инструкции данного раздела предназначены только для протезиста.

Извлеките сборку несущей стопы из косметической калоши так, как это было показано ранее.



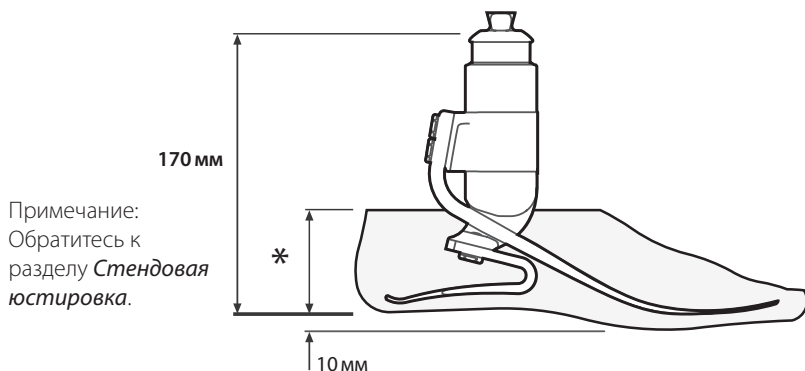
При необходимости повторно смажьте поверхность втулки-подшипника при помощи «Сапфировой Смазки» (928015) или эквивалентной смазки с содержанием ультрадисперсного политетрафторэтилена (PTFE).

Повторная сборка производится в обратном порядке, обратите внимание на положение антиротационного штифта в осевой пружине и ориентацию паза в пилоне (находится сзади). Нанесите резьбовой фиксатор «Loctite 243» на резьбу винтов и затяните их с необходимым усилием так, как это указано в разделе *Конструкция*.

11 Спецификация

| | |
|---|--|
| Температурный диапазон хранения и эксплуатации: | от -15 °С до +50 °С (от 5 °F до 122 °F) |
| Вес устройства (для размера 26): | 1000 г (2 фунта 2 унции) |
| Уровень двигательной активности: | 3–4 |
| Максимальный вес пользователя: | 166 кг |
| Диапазон юстировки: | ±7° угловая юстировка |
| Максимальный угол торсионного вращения: | ±15° |
| Типичный осевой момент: | 3–6 мм (макс. 10 мм) |
| Проксимальный адаптер: | Адаптер-пирамидка (Blatchford) |
| Высота конструкции: | 170 мм |
| Высота подъема каблука: | 10 мм |

Сборочные размеры:



* Размер
22-26 = 65 мм
27-28 = 70 мм
29-30 = 75 мм

12 Информация для заказа

Пример заказа

| | | | | | | |
|------------|------------------------------------|-------------------------------------|--------------------------|-----------------------------------|------------------|----------|
| EVT | 25 | L | N | 7 | 3 | S |
| Размер | Сторона L - левая R - правая | Ширина* N - узкая W - широкая | Набор пружин стопы | Осевая пружина торс. аморт. | Анатом. мысок | |

Размерный ряд

с 22 по 30:

с EVT22L11S по EVT30R94S

с EVT22L11SD по EVT30R94SD

например: EVT25LN73S

(для косметической калоши темного цвета к шифру изделия добавляется литера 'D')

* Только для размеров стоп 25-28. Для стоп остальных размеров этот параметр неактуален и может быть опущен.

Набор пружин

| Набор пружин | Размер стопы | | | |
|--------------|--------------|---------|---------|-----------------|
| | 22-24 | 25-26 | 27-28 | 29-30 |
| Набор 1 | 539701S | 539710S | 539719S | под спец. заказ |
| Набор 2 | 539702S | 539711S | 539720S | под спец. заказ |
| Набор 3 | 539703S | 539712S | 539721S | 539730S |
| Набор 4 | 539704S | 539713S | 539722S | 539731S |
| Набор 5 | 539705S | 539714S | 539723S | 539732S |
| Набор 6 | 539706S | 539715S | 539724S | 539733S |
| Набор 7 | 539707S | 539716S | 539725S | 539734S |
| Набор 8 | 539708S | 539717S | 539726S | 539735S |
| Набор 9 | | 539718S | 539727S | 539736S |

Косметическая калоша

(для косметической калоши темного цвета к шифру изделия добавляется литера 'D')

| Размер/Сторона R - правая L - левая | Узкая | Широкая |
|---|----------|----------|
| 22L | 539038S | - |
| 22R | 539039S | - |
| 23L | 539040S | - |
| 23R | 539041S | - |
| 24L | 539042S | - |
| 24R | 539043S | - |
| 25L | 539044SN | 539044SW |
| 25R | 539045SN | 539045SW |
| 26L | 539046SN | 539046SW |
| 26R | 539047SN | 539047SW |
| 27L | 539048SN | 539048SW |
| 27R | 539049SN | 539049SW |
| 28L | 539050SN | 539050SW |
| 28R | 539051SN | 539051SW |
| 29L | - | 539052S |
| 29R | - | 539053S |
| 30L | - | 539054S |
| 30R | - | 539055S |

Осевая пружина торсионного амортизатора

| | |
|-------------|--------|
| Категория 1 | 539058 |
| Категория 2 | 539059 |
| Категория 3 | 539060 |
| Категория 4 | 539061 |

Скользкий носок

| | |
|--------------------|--------|
| для размеров 22-24 | 531011 |
| для размеров 25-30 | 532811 |

Ответственность

Изготовитель рекомендует использовать данное устройство только в указанных условиях и предусмотренных целях. Обслуживание устройства должно проводиться согласно прилагаемой к устройству инструкции по эксплуатации. Производитель не несет ответственности за ущерб, вызванный применением комбинацией компонентов, не разрешенной изготовителем.

Соответствие стандартам Евросоюза CE

Данное изделие соответствует требованиям Евростандарта EU 2017/745 для медицинских изделий. Данное изделие относится к категории устройств класса I в соответствии с критериями классификации, изложенными в Приложении VIII данного Стандарта. Декларация соответствия стандартам Евросоюза доступна для скачивания на сайте компании по адресу: www.blatchford.co.uk



Медицинское
устройство



Индивидуальное многократное
использование

Совместимость

Допускаются комбинации изделий производства компании Blatchford на основании тестирования по соответствующим стандартам, в том числе и стандартам на медицинские устройства (MDR), включая структурные испытания, совместимость размеров и другие контролируемые эксплуатационные характеристики.

Комбинация с альтернативными изделиями, имеющими маркировку соответствия стандартам Евросоюза CE, должна производиться с учетом оценки локальной степени риска, проводимой компетентным специалистом.

Гарантийные обязательства

Гарантия на устройство составляет: 36 месяцев, на косметическую калошу 12 месяцев, на скользящий носок 3 месяца.

Пользователь должен быть предупрежден о том, что любые изменения в конструкции изделия или его модификация, не согласованные с изготовителем, аннулируют гарантию. Для получения подробной информации о гарантии, пожалуйста, обратитесь к сайту компании Blatchford.

Побочные эффекты и инциденты

Возникновение побочных эффектов и серьезных инцидентов, связанного с данным устройством, маловероятно, тем не менее, в случае возникновения таковых, следует сообщить об этом производителю и представителю Blatchford в вашем регионе.

Экологические аспекты

По возможности само устройство и его компоненты следует утилизировать в соответствии с правилами местного законодательства по утилизации и обращению с отходами.

Сохранение этикетки на упаковке

Протезисту рекомендуется сохранять этикетку на упаковке, поскольку она содержит необходимые данные о поставляемом устройстве.

Торговые марки

Elite и Blatchford являются зарегистрированными торговыми марками компании Blatchford Products Limited.

Зарегистрированный адрес производителя

Blatchford Products Limited, Lister Road, Basingstoke RG22 4AH, UK.

| | |
|--------------------|-----|
| 目录..... | 92 |
| 1 说明及设计用途 | 93 |
| 2 安全须知..... | 95 |
| 3 构造 | 96 |
| 4 功能..... | 97 |
| 5 维护 | 97 |
| 6 使用限制..... | 98 |
| 7 工作台对线..... | 99 |
| 7.1 静态对线 | 99 |
| 7.2 动态对线 | 99 |
| 7.3 大腿对线 | 99 |
| 8 安装建议..... | 100 |
| 9 脚套拆除和脚板弹片更换..... | 101 |
| 10 轴向冲击弹片更换..... | 103 |
| 11 技术数据..... | 104 |
| 12 订购须知..... | 105 |

1 说明及设计用途

本使用说明供假肢技师和用户使用，除非另有说明。

在本使用说明中频繁出现的“装置”一词用于指代 EliteVT。

请确保您阅读并充分理解使用说明的所有内容，尤其是安全须知和维护部分。

用途

本装置仅作为下肢假肢的一部分使用。

供单人使用。

一款高储能型假脚。采用独立的后跟和前掌弹片，可实现轴向形变。分趾式设计，确保良好的地面接触。本装置还带有一个可以吸收轴向冲击力和旋转冲击力的弹片部件，旨在降低残肢/接受腔内接触面的剪切应力。

功能及特性

- 具有垂直压缩和轴向旋转功能的精密钛弹片
- 轴向载荷线性响应
- 高效储能
- 独立 E 碳纤脚板弹片
- 用于调节弹片硬度的后跟缓冲块

活动等级

本装置建议由有潜力达到 3 级或 4 级活动等级的用户使用。

当然，也存在例外情况。通过我们的建议，我们希望用户可以根据自身情况实现独特的个性化应用，但应在充分考虑其合理性之后再决定是否使用本装置。

1 级活动等级

具有用假肢以固定步频在水平面上活动或行走的能力或潜力。通常为受限或不受限活动者。

2 级活动等级

具有行走的能力或潜力，能够跨越低矮的环境障碍物，如路缘石、台阶或不平坦表面。通常为受限的社区活动者。

3 级活动等级

具备以不同步频行走的能力或潜力。

能够跨越大多数环境障碍物，可能需要在假肢的辅助下从事简单活动以外的职业、治疗或锻炼类活动，通常为社区活动者。

4 级活动等级

具有用假肢行走的能力或潜力，行走技能超过基础水平，表现出高冲击力、应力或能量等级。通常为有假肢需求的儿童、活跃型成年人或运动员。

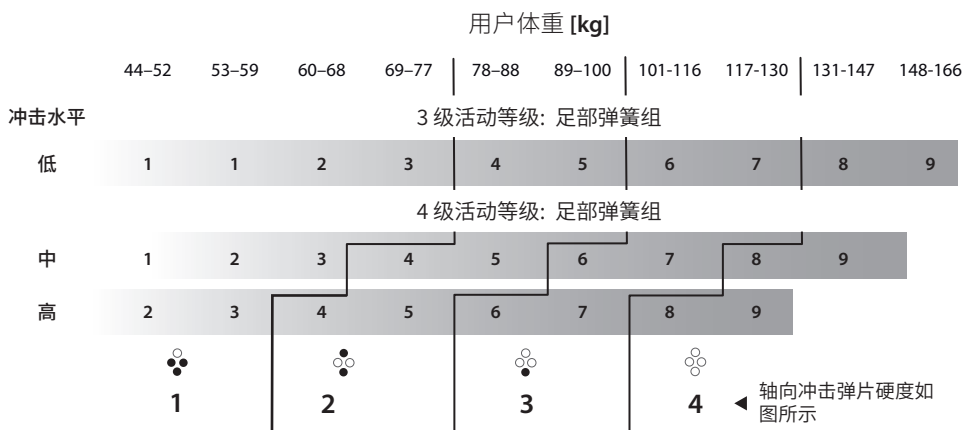
不适用

本装置可能不适合 1 级活动水平的人士或竞技类体育活动参与者, 此类用户更适合使用经过专门设计, 能够满足其特殊需求的假肢。

临床优势

- 允许以不同的速度跑动
- 与刚性管体相比, 行走速度更快
- 与非储能回弹型假脚、液压踝关节、屈脚式假脚及屈走式假脚相比, 活跃型用户可以获得较高的活动等级。
- 与实心踝关节加缓冲型后跟构成的假脚相比, 蹬离推进能力更强
- 与活动等级较低的假脚相比, 正功水平更高
- 用户满意度高, 尤其是高活动等级的用户
- 与刚性管体相比, 残肢负荷率更低
- 与刚性管体相比, 扭转时腰痛程度更低

弹片等级的选择



- 低 日常行走及偶尔运动, 如高尔夫和远足
- 中 高强度行走, 频繁或日常运动, 如慢跑
- 高 日常活动, 如长跑、攀岩、抓举和职业举重

 **警告: 高冲击性用户不要超过单个弹片的重量限制。**

注意... 如果无法确定应选择哪种弹片等级, 可选择硬度等级较高者。

建议使用的脚板弹片等级适用于小腿截肢用户。

对于大腿截肢用户, 建议选择硬度低一个等级的脚板弹片组。

装好弹片后, 用黑色记号笔涂抹龙骨上相应的线条, 以显现出弹片等级号。



2 安全须知



该警告标志用于强调必须认真遵守的重要安全信息。



假肢的性能或功能若有任何变化，如活动受限或过度、动作不顺畅或出现异响，都应立即报知服务提供商。



下台阶时以及任何其他时间都应始终握好扶手(若有)。



本装置不适用于极限运动、赛跑、骑行比赛、冰雪运动、极陡坡面和台阶。用户从事任何上述活动都须自行承担一切风险。可用于休闲类骑行或跑步。



本装置的组装、维护和修理只能由具备适当资质的假肢技师来进行。



建议用户在身体状况出现变化时及时联系执业医师。



用户只能驾驶经过适当改装的机动车。操作机动车辆时，所有人员必须遵守各自适用的驾驶法规。



为了将滑倒和绊倒的风险降至最低，必须始终使用与脚套牢固贴合的鞋子。



根据设计，本装置并不用作浸水或淋浴时使用的假肢。假肢与水发生接触时应立即擦干。

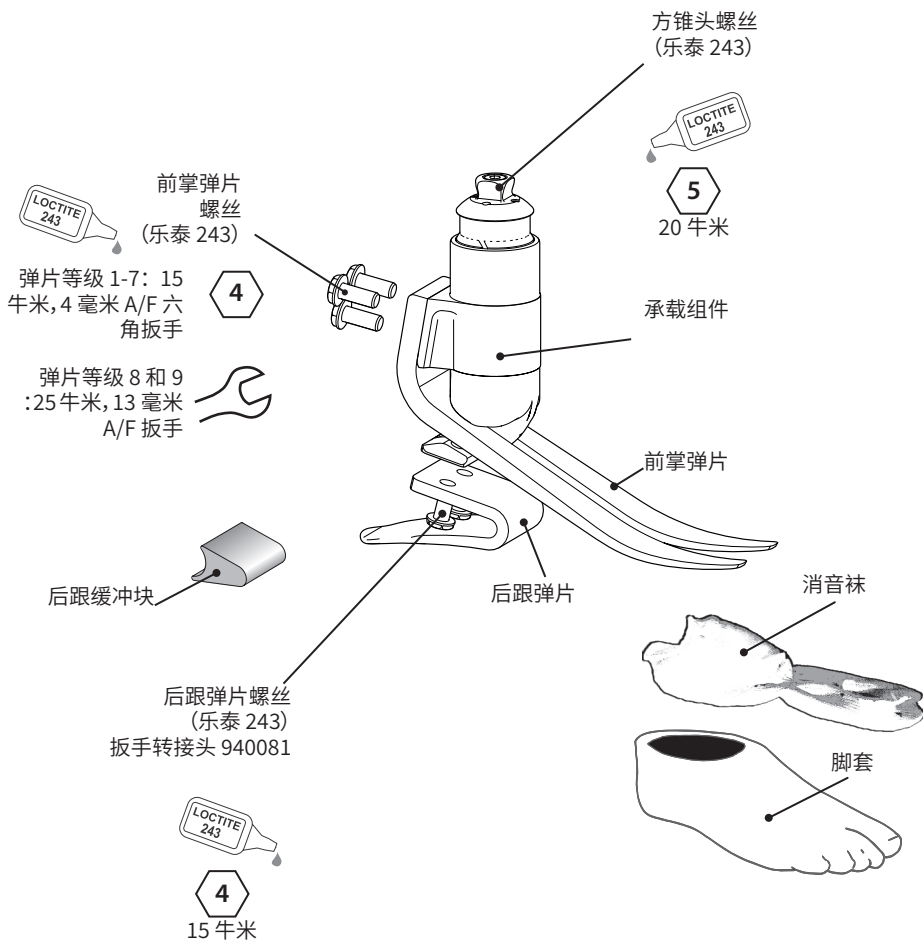


始终注意手指安全，防止夹伤。

3 构造

主要部件

- 龙骨总成 铝/钛/不锈钢
- 后跟和前掌弹片 E 碳纤
- 弹片固定螺丝 钛
- 消音袜 UHM PE (超高分子量聚乙烯)
- 脚套 PU (聚氨酯)



4 功能

本装置包含一个E碳纤维前掌和独立后跟弹片。龙骨总成带有一个弹片部件，便于方锥头管在轴向和/或扭转载荷下实现一定程度的形变和/或旋转。移除载荷后，弹簧会回到原始位置。这种动作有助于减弱冲击力，否则，冲击力会沿轴向及旋转方向传输到残肢/接受腔内接触面。

后跟弹片和前掌弹片通过钛螺丝固定在龙骨总成上。脚板包裹在一个 UHM PE 消音袜内，并整体包入 PU 脚套。

5 维护

定期对本装置进行目视检查。

本装置的性能若有任何变化，如异响、硬度增加或旋转受限/过度、长时间暴露于紫外线环境所导致的严重磨损或褪色，都应报知假肢技师/服务提供商。

体重和/或活动等级发生任何变化时，都应报知假肢技师/服务提供商。

清洁

用湿布与温性肥皂清洁外表面，不得使用腐蚀性清洁剂。

本节其余内容仅供假肢技师使用。

维护操作只能由合格人员(假肢技师或经过专业训练的技术人员)进行。

以下常规维护操作应至少每年进行一次：

- 拆下脚套和消音袜，检查损坏或磨损情况，必要时进行更换。
- 检查所有螺丝是否紧固(参见构造一节)；必要时进行清洁并重新组装。
- 检查后跟弹片和前掌弹片的分层或磨损情况，必要时进行更换。使用一段时间后可能会出现轻微的表面损伤，这不会影响假脚的功能和强度。

有关拆卸脚套和更换脚板弹片的说明包含在“脚套拆除和脚板弹片更换”一节中。

如有必要，请重新润滑弹片的轴承表面。如需进行该操作：

- 请按照“轴向冲击弹片更换”中的说明拆卸本装置。
- 在轴承表面涂抹 Sapphire Endure 润滑脂(928015)或等效 PTFE 润滑脂，然后重新装配。

确保用户阅读并理解所有安全和用户级维护信息。

应建议用户定期对假脚进行目视检查，如发现可能影响功能的磨损迹象(如：由于长时间暴露于紫外线环境而导致的严重磨损或褪色)，应报知服务提供商。

如果用于极限活动，应重新考虑本装置的维护等级和维护间隔，必要时应寻求专业建议和技术支持，以便根据活动频率和性质来制定新的维护计划。该计划应由专业人士通过局部风险评估的方式来确定。

6 使用限制

预期使用寿命

应根据活动和使用情况进行局部风险评估。

负重

用户的体重和活动等级应符合所述限制。
用户应根据局部风险评估结果进行负重。

环境

避免将本装置暴露于腐蚀性元素中,如水、酸和其他液体。此外,还应避免磨蚀性环境,例如含砂的环境,否则可能导致过早磨损。

仅限在 -15°C 至 50°C 范围内使用。

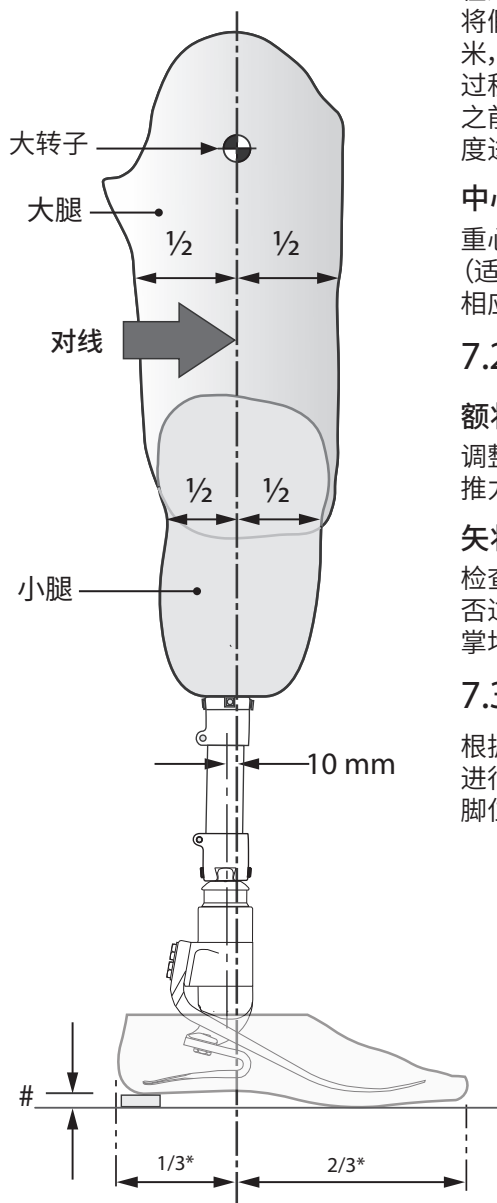


适合户外使用

7 工作台对线

本节内容仅供假肢技师使用。

7.1 静态对线



设置长度

在适当适应屈曲、内收和外展的情况下，将假肢长度设置为超出健侧长度 10 毫米，以便脚板弹片和轴向冲击弹片在步态过程中产生压缩和形变。在开始动态试验之前，应对此设置进行重新评估，并对长度进行相应调节。

中心线

重心线应位于方锥头中心前方 10 毫米处（适当调整后跟高度）。接受腔的位置应相应地调整到位。

7.2 动态对线

额状面

调整接受腔和足部的相对位置，确保 M-L 推力保持在最小水平。

矢状面

检查从足跟触地到前掌离地这个过程是否过渡顺畅。同时，确保站立时足跟和前掌均匀承重，并且两者均与地面接触。

7.3 大腿对线

根据膝关节随附的安装说明对大腿部件进行对线，将对线保持在如图所示的假脚位置。

#用户可以穿自己的鞋

*近似比

8 安装建议

本节内容仅供假肢技师使用。

弹片为配套部件,即,后跟、前掌和轴向弹片须配合使用,方可为大多数用户提供流畅的行进体验。

后跟缓冲块

假脚配有后跟缓冲垫。安装缓冲垫可起到使后跟弹片变硬的效果。可先将其粘到合适位置进行测试。如需永久性安装,应在缓冲垫下接触面与后跟弹片表面之间涂抹乐泰 424 (926104) 瞬干胶,以便将缓冲垫粘牢。

后跟硬度

整个支撑期应达到流畅的行进状态;在此过程中,足跟功能至关重要:

- 足跟过软或对线偏后会导致足跟触地时下沉,难以越过前掌。
- 足跟过硬或对线偏前会导致支撑期中期进展过快或足跟触地时发生振动。

轴向硬度

轴向弹片负责控制压缩和扭转回能。正常行走时,典型的垂直活动应在 3 至 6 毫米之间。如有需要,我们也可提供其他硬度的弹片。

| | 表现 | 解决方法 |
|---------|--|---|
| 足跟过软 | <ul style="list-style-type: none">• 足跟触地时下沉• 难以越过前掌(前掌感觉过硬) | <ol style="list-style-type: none">1. 添加后跟缓冲块2. 将接受腔以相对于脚板的位置向前移动(过度移动可能会导致脱落)3. 如果方法 1 和方法 2 无效,应安装一个硬度更高的弹片组 |
| 足跟过硬 | <ul style="list-style-type: none">• 从足跟触地渡过支撑期过渡太快• 足跟动作难以控制,脚板伴随振动进入支撑期• 脚板感觉过硬 | <ol style="list-style-type: none">1. 取出后跟缓冲块(若已安装)2. 将接受腔以相对于脚板的位置向后移动3. 如果方法 1 和方法 2 无效,应安装柔韧度更高的弹片组 |
| 前掌/足刃过软 | <ul style="list-style-type: none">• 支撑期中期前进过快• 在活动等级较高时出现“足下垂”。 | <ol style="list-style-type: none">1. 将接受腔以相对于脚板的位置向后移动2. 脚板轻微跖屈 - 注意:可能需要重新对线 |

注意...如果遵循上述建议后无法获得平稳步态,请联系您的供应商。

9 脚套拆除和脚板弹片更换

本节内容仅供假肢技师使用。

! 应始终使用适当的健康与安全设备,包括拆取设施。

! 始终注意手指安全,防止夹伤。



7



视情况在龙骨上标记弹片等级, 然后按图中所示方法安装消音袜。

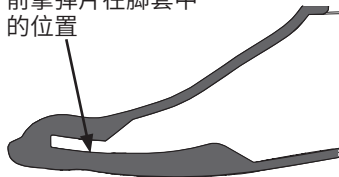
8



将总成插入脚套, 将前掌弹片、龙骨和后跟总成尽可能向前推入脚套中。

9

前掌弹片在脚套中的位置



确保前掌弹片正确卡入脚套内的定位槽。

10



将一个金属鞋拔滑入后跟弹片和脚套开口后部之间。将弹片向下撬入脚套, 同时将整个总成向下推。

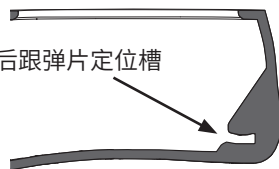
11



鞋拔应位于脚套顶面以下约 30 毫米处, 以确保后跟弹片完全啮合。

12

后跟弹片定位槽



确保后跟弹片正确卡入脚套内的定位槽。

13

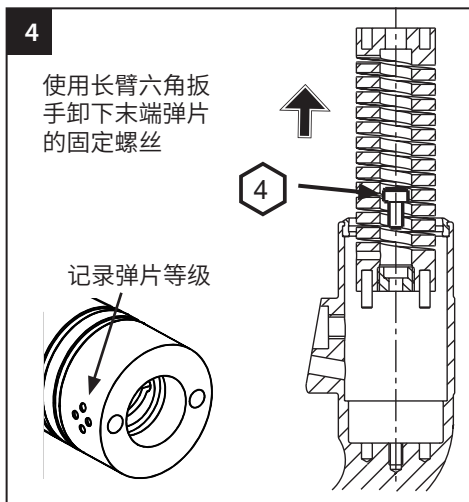
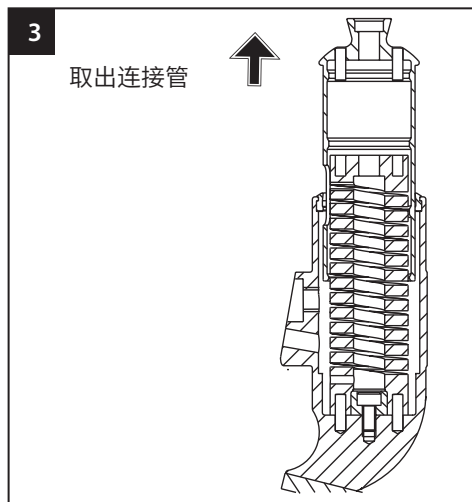
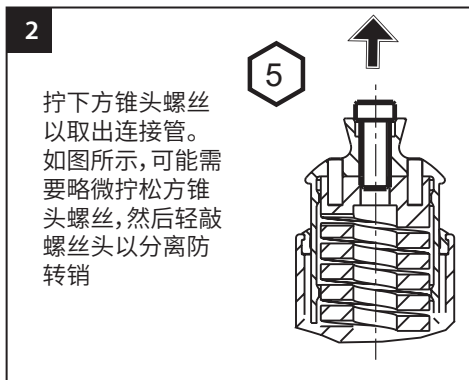
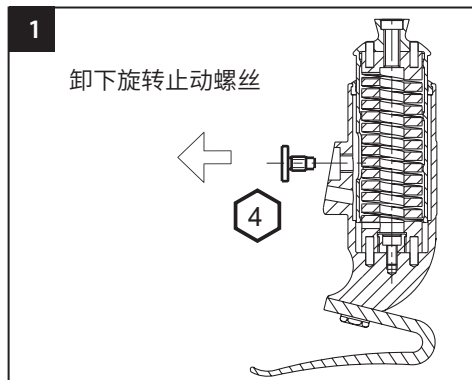


如图所示, 使用 Thixofix 粘合剂 (926204) 或等效产品将装饰泡沫粘到脚套顶面, 并进行贴合塑形。

10 轴向冲击弹片更换

本节内容仅供假肢技师使用。

按之前所示方法将弹片从脚套中取出



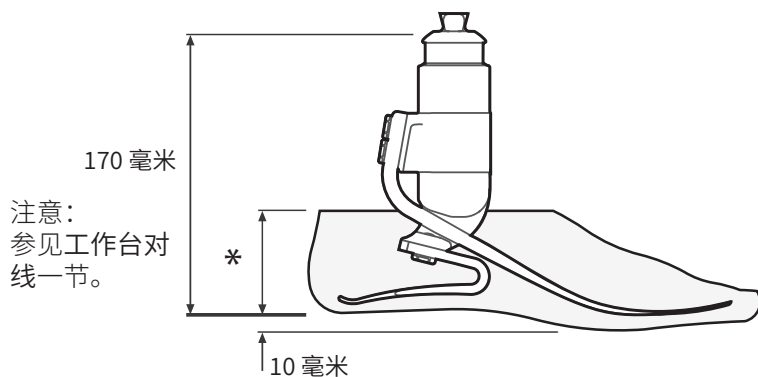
如有必要,使用 Sapphire Endure 润滑脂 (928015) 或等效 PTFE 润滑脂重新润滑轴承表面。

重新装配步骤与上述步骤相反,装配过程中请注意轴向弹片防转销的状态和位置以及连接管中(后部)定位槽的方向。按照构造一节所示方法涂抹乐泰防松胶并拧紧螺丝。

11 技术数据

| | |
|--------------|---------------------|
| 使用和存放温度范围: | -15°C 至 50°C |
| 部件重量 (26 码): | 1000 克 |
| 活动等级: | 3-4 |
| 用户体重上限: | 166 千克 |
| 调节范围 | 角度 $\pm 7^\circ$ |
| 最大旋转角度 | $\pm 15^\circ$ |
| 典型轴向移动 | 3 至 6 毫米 (最大 10 毫米) |
| 近端附件: | 方锥头 (Blatchford) |
| 结构高度: | 170 毫米 |
| 足跟高度 | 10 毫米 |

安装高度



* 尺寸
22-26 = 65 毫米
27-28 = 70 毫米
29-30 = 75 毫米

12 订购须知

订购示例

| | | | | | | |
|-----|----|------------|--------------|----------|----------|----|
| EVT | 25 | L | N | 7 | 3 | S |
| | 尺码 | 侧 (左/右) | 宽度* (窄/宽) | 弹片等 级 | 冲击弹 片 | 分趾 |

有 22 码至 30 码可选:

EVT22L11S 至

EVT30R94S

EVT22L11SD 至

EVT30R94SD

如 EVT25LN73S

* 仅 25-28 码。所有其他尺码请忽略“宽度”一栏。

(如需深色脚套请加注字母“D”)

弹片等级

| 弹片等级 | 假脚尺码 | | | |
|------|---------|---------|---------|---------|
| | 22-24 | 25-26 | 27-28 | 29-30 |
| 等级 1 | 539701S | 539710S | 539719S | 特殊订单 |
| 等级 2 | 539702S | 539711S | 539720S | 特殊订单 |
| 等级 3 | 539703S | 539712S | 539721S | 539730S |
| 等级 4 | 539704S | 539713S | 539722S | 539731S |
| 等级 5 | 539705S | 539714S | 539723S | 539732S |
| 等级 6 | 539706S | 539715S | 539724S | 539733S |
| 等级 7 | 539707S | 539716S | 539725S | 539734S |
| 等级 8 | 539708S | 539717S | 539726S | 539735S |
| 等级 9 | | 539718S | 539727S | 539736S |

脚套

(如需深色请加注字母“D”)

| 尺码/侧 | 窄 | 宽 |
|------|----------|----------|
| 22L | 539038S | - |
| 22R | 539039S | - |
| 23L | 539040S | - |
| 23R | 539041S | - |
| 24L | 539042S | - |
| 24R | 539043S | - |
| 25L | 539044SN | 539044SW |
| 25R | 539045SN | 539045SW |
| 26L | 539046SN | 539046SW |
| 26R | 539047SN | 539047SW |
| 27L | 539048SN | 539048SW |
| 27R | 539049SN | 539049SW |
| 28L | 539050SN | 539050SW |
| 28R | 539051SN | 539051SW |
| 29L | - | 539052S |
| 29R | - | 539053S |
| 30L | - | 539054S |
| 30R | - | 539055S |

轴向冲击弹片

| | |
|------|--------|
| 等级 1 | 539058 |
| 等级 2 | 539059 |
| 等级 3 | 539060 |
| 等级 4 | 539061 |

消音袜

| | |
|---------|--------|
| 22-24 码 | 531011 |
| 25-30 码 | 532811 |

免责声明

制造商建议只在指定条件下和设计用途范围内使用本装置。本装置必须按照随附的使用说明进行维护。对于因使用未经制造商授权的任何部件组合而造成的任何不良后果，制造商概不负责。

欧盟合规认证

本产品符合欧盟第“2017/745”号医疗器械法规的要求。根据该法规“附录 8”所列分类规则，本产品被归为 I 类医疗器械。查看欧盟《符合性声明》证书请访问下方网址：www.blatchford.co.uk



医疗器械



单人 - 多次使用

兼容性

如需将其他产品与 Blatchford 品牌的产品组合使用，须根据相关标准和医疗器械法规进行测试（包括结构测试、尺寸兼容性测试和现场性能监测），测试通过后方可获准。

与其他具有 CE 认证标识的产品组合使用时，必须遵循假肢技师出具的局部风险评估意见。

保修

本装置的保修期为 36 个月：脚套 12 个月，消音袜 3 个月。用户应注意，在未经明确许可的情况下对装置进行改动或改装，可能会造成保修、使用牌照和免责条款失效。最新完整保修声明见 Blatchford 网站。

严重事故报告

使用本装置不大可能发生严重事故，如若发生，应报知制造商以及您所在国家的主管部门。

环保事项

应尽可能根据当地的废物处理法规对部件进行回收处理。

保留包装标签

建议假肢技师保留包装标签，作为所购装置的一份记录。

商标确认

Elite Foot 和 Blatchford 是 Blatchford Products Limited 的注册商标。

制造商注册地址

地址：Blatchford Products Limited, Lister Road, Basingstoke RG22 4AH, UK. (英国)

| | |
|----------|--|
| 107..... | المحتويات |
| 108..... | ١ الوصف والغرض من الاستخدام |
| 110..... | ٢ معلومات السلامة |
| 111..... | ٣ التركيب |
| 112..... | ٤ الوظيفة |
| 112..... | ٥ الصيانة |
| 113..... | ٦ قيود الاستخدام |
| 114..... | ٧ محاذاة المكونات على طاولة العمل |
| 114..... | ١-٧ المحاذاة الثابتة |
| 114..... | ٢-٧ المحاذاة أثناء الحركة |
| 114..... | ٣-٧ المحاذاة أعلى الركبة |
| 115..... | ٨ نصائح بشأن التركيب |
| 116..... | ٩ إزالة غطاء القدم المطاطي واستبدال نابض القدم |
| 118..... | ١٠ استبدال نابض الصدمة المحوري |
| 119..... | ١١ البيانات الفنية |
| 120..... | ١٢ معلومات الطلب |

1 الوصف والغرض من الاستخدام

أُعدت إرشادات الاستخدام الماثلة بهدف أن يستخدمها كل من الممارس والمستخدم ما لم يُنص على خلاف ذلك. تُستخدم كلمة جهاز متي وُرِدت في إرشادات الاستخدام الماثلة للإشارة إلى منتج "EliteVT". يُرجى قراءة كل ما جاء في إرشادات الاستخدام والتأكد من فهمها، وخاصةً جميع معلومات السلامة وتعليمات الصيانة.

الاستخدام

لا يستخدم هذا الجهاز إلا بوصفه جزءًا من طرف صناعي سفلي. مخصص لمستخدم واحد.

قدم صناعية بارتداد مرتفع الطاقة. يُوقر نابض العقب الحُر ونابض أصابع القدم الحُر انحرافًا محوريًا. ويوقر الإبهام المفصول درجة مطاوعة جيدة على الأرض. يحتوي هذا الجهاز أيضًا على نابض يمنحه القدرة على امتصاص الصدمات المحورية والدورانية، بهدف تخفيف إجهاد القص عند السطح البيئي بين التجويف والجدعة.

الميزات

- نابض دقيق مصنوع من التيتانيوم لتوفير ضغط عمودي ودوران محوري
- استجابة خطية للتحميل المحوري
- كفاءة في استعادة الطاقة
- نوابض قدم حرة (e-carbon)
- إسفين العقب لضبط صلابة النابض

مستوى النشاط

يُنصح بأن يستعمل هذا الجهاز المُستخدمون القادرون على بلوغ مستوى النشاط 3 أو 4. هنالك بعض الاستثناءات بطبيعة الحال، ونحن نُراعي في توصيتنا وجود ظروف خاصة واستثنائية، ومن ثم فإن أي قرار من هذا القبيل ينبغي أن يكون مشفوعًا بتبرير وافي وسليم.

مستوى النشاط 1

القدرة على أو إمكانية استخدام الطرف الصناعي في عمليات الانتقال أو السير على الأسطح المستوية بإيقاع ثابت. وهو المستوى المعتاد للقادرين على السير محدودة وغير محدودة بسرعة محدودة وغير محدودة.

مستوى النشاط 2

القدرة على أو إمكانية السير مع القدرة على اجتياز الحواجز البيئية منخفضة المستوى مثل الرصقان، أو السلالم، أو الأسطح غير المستوية. وهو المستوى المعتاد للقادرين على السير والتنقل في المجتمع باستقلالية بسرعة محدودة.

مستوى النشاط 3

القدرة على أو إمكانية السير بإيقاع متغير.

عادةً ما يُقصد بذلك الأشخاص القادرون على السير والتنقل في المجتمع باستقلالية ممن لديهم القدرة على اجتياز معظم العوائق البيئية ويُحتمل أن يمارسوا نشاطًا مهنيًا أو علاجيًا أو ترفيهيًا يتطلب استخدام طرف صناعي لغرض أكبر من مجرد التنقل.

مستوى النشاط 4

القدرة على أو إمكانية السير باستخدام طرف صناعي مخصص لغرض يتخطى مهارات السير الأساسية، مع تحقيق مستويات مرتفعة من التأثير أو الضغط أو الطاقة. وعادةً ما تكون تلك هي متطلبات الطرف الصناعي للأطفال أو البالغين النشطين أو الرياضيين.

موانع الاستخدام

من المحتمل ألا يكون هذا الجهاز مناسباً للأفراد الذين يمارسون أنشطة من المستوى 1 أو يشاركون في فعاليات رياضية تنافسية، إذ أنه سيكون من الأفضل لهؤلاء استخدام طرف صناعي مُحسَّن ومُصمَّم خصيصاً ليلائم احتياجاتهم.

المناخ السريرية

- يسمح بالجري عند سرعات مُتغيِّرة
- سرعة المشي زائدة مقارنةً بالعواميد الصلبة
- مستويات مرتفعة من الحركة للمستخدمين النشطين، مُقارنةً بالأقدام الصناعية التي لا تعمل على تخزين الطاقة واستردادها وكذلك الكواحل الصناعية الهيدروليكية والأقدام الصناعية طراز الساق المرنة [flex-foot] والسير المرن [flex-walk].
- تحسين قوة دفع الطرف الصناعي مقارنةً بالأقدام الصناعية ذات الكاقل الصلب مبطنة العقب
- زيادة الجهد الإيجابي للطرف الصناعي مقارنةً بالأقدام الصناعية المُخصَّصة لمستويات النشاط المنخفضة
- يكفل لمستخدميه درجة عالية من الرضا والارتياح، وخاصةً أولئك الذين يمارسون أنشطة ذات مستويات مرتفعة
- معدل تحميل مُنخفض على جعدة الطرف مُقارنةً بالعواميد الصلبة
- آلام الظهر أقل عند الانحناء مقارنةً بالعواميد الصناعية الصلبة

مجموعة النوايض للاختيار

| النشاط | الوزن المستخدم | مجموعة نوايض القدم | صُنِّفَت نوايض الصدمة المحورية حسبها هو مُبيَّن بالشكل |
|--|----------------|--------------------|--|
| السير | 69 إلى 77 | 3 | 2 |
| السير السريع | 60 إلى 68 | 2 | 2 |
| السير اليومي وممارسة ألعاب رياضية على أوقات متفرقة مثل الجولف والسير لمسافات طويلة | 53 إلى 59 | 1 | 1 |
| السير السريع وممارسة ألعاب رياضية بصورة متواترة أو يوميًا كالهولرة على سبيل المثال | 44 إلى 52 | 1 | 1 |
| ممارسة الأنشطة اليومية كالجري لمسافات طويلة والتسلُّق ورفع الأوزان الثقيلة وحملها لأغراض مهنية | 30 إلى 39 | 7 | 4 |
| | 101 إلى 116 | 6 | 3 |
| | 88 إلى 98 | 4 | 3 |
| | 100 إلى 109 | 5 | 3 |
| | 147 إلى 166 | 8 | 4 |
| | 131 إلى 147 | 8 | 4 |
| | 148-166 | 9 | 4 |

- منخفض: السير اليومي وممارسة ألعاب رياضية على أوقات متفرقة مثل الجولف والسير لمسافات طويلة
- مُعتدل: السير السريع وممارسة ألعاب رياضية بصورة متواترة أو يوميًا كالهولرة على سبيل المثال
- مرتفع: ممارسة الأنشطة اليومية كالجري لمسافات طويلة والتسلُّق ورفع الأوزان الثقيلة وحملها لأغراض مهنية
- تحذير: للمستخدمين الذين يمارسون أنشطة ذات تأثير مرتفع، يُبصَح بعدم تجاوز حد الوزن المسموح به للنوايض الفردية.

ملاحظة... إذا راودك شك بخصوص الاختيار بين فئتين، فعندئذٍ اختر مجموعة النوايض ذات المُعدَّل الأعلى.

علمًا بأن توصيات مجموعة نوايض القدم المُبيَّنة تخص مستخدمي الجهاز أسفل الركبة.

نوصي مستخدمي الجهاز أعلى الركبة باختيار مجموعة نوايض القدم من الفئة الأدنى.

بمُجرَّد تركيب النوايض، ظلَّ الخطوط المقابلة على الحامل باستخدام قلم تخطيط أسود دائم حتى يظل رقم مجموعة النوايض ظاهرًا.

يرمز التحذير هذا معلومات السلامة المهمة التي يجب اتباعها بعناية.



⚠ يجب استخدام الأحذية المناسبة التي تثبت بشكل آمن فوق غطاء القدم المطاطي في جميع الأوقات، وذلك لتقليل مخاطر الانزلاق والتعثر.

⚠ الجهاز غير مُعدّ للاستخدام عند الغمر في الماء أو كطرف صناعي أثناء الاستحمام. جفّف الطرف الصناعي على الفور إذا لامس الماء.

⚠ توخ الحذر طوال الوقت لتفادي خطر انحشار الإصبع.

⚠ ينبغي إبلاغ مُقدّم الخدمة الخاص بك فوراً بأي تغيرات تطرأ على أداء أو وظيفة الطرف الصناعي، مثل تقييد الحركة أو الحركة المفرطة أو عدم سلاسة الحركة أو صدور ضجيج غير معتاد.

⚠ استخدم دائماً الدرابزين عند نزول الدرج وفي أي وقت آخر إذا كان متاحاً.

⚠ الجهاز غير مُناسب لممارسة الرياضات العنيفة، أو الجري التنافسي أو سباقات الدراجات الهوائية، أو رياضات التزلج على الجليد والثلوج، أو في المنحدرات والمرتفعات الوعرة. أي ممارسة لهذه الأنشطة تكون على مسؤولية المستخدمين الخاصة بشكل تام. يُسمح بركوب الدراجات أو الجري على سبيل الترفيه.

⚠ يجب أن يتم تركيب الجهاز وصيانته وإصلاحه فقط من جانب مُمارس مؤهل تأهيلاً مناسباً.

⚠ ينبغي توجيه النصيحة للمستخدم بالاتصال بالممارس المسؤول عنه إذا تغيّرت حالته.

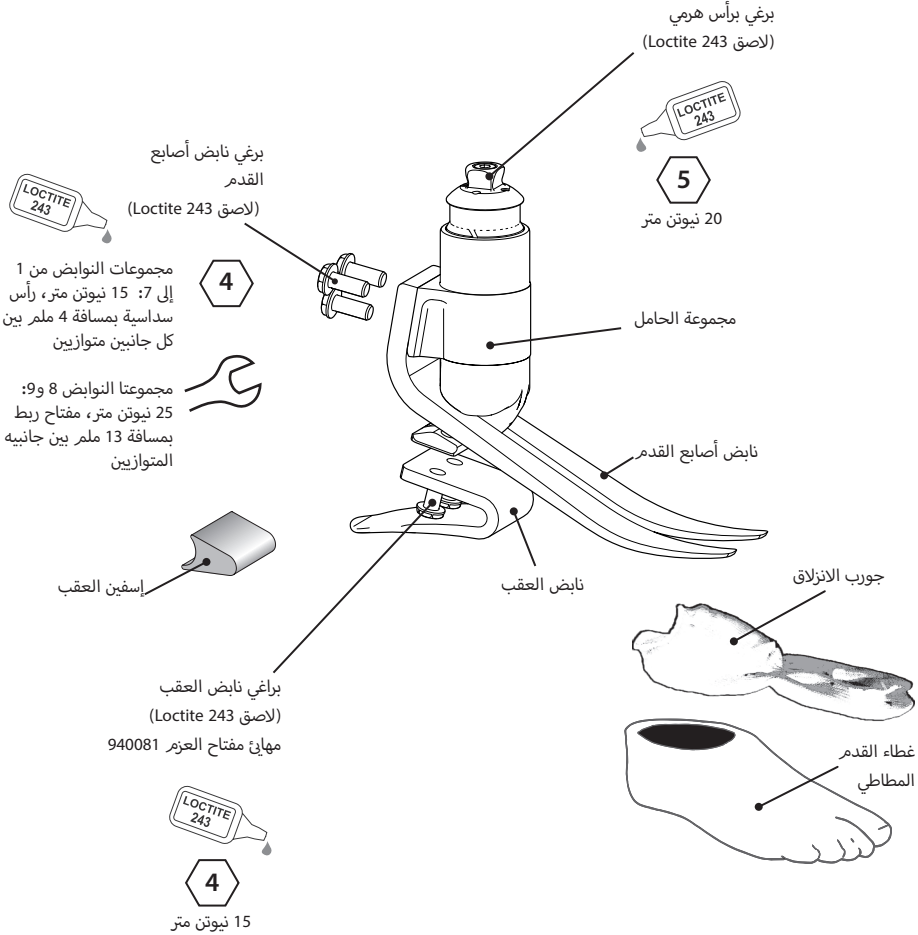
⚠ عند القيادة، تأكد من استخدام المركبات المعدلة بشكل مناسب فقط. يجب على جميع الأشخاص مراعاة قوانين القيادة الخاصة بهم عند قيادة المركبات الآلية.

٣ التركيب

الأجزاء الرئيسية

ألومنيوم/تيتانيوم/فولاذ مقاوم للصدأ
e-carbon
تيتانيوم
بولي إيثيلين فائق الوزن الجزيئي المرتفع (UHM PE)
بولي يوريثان (PU)

- مجموعة الحامل
- نابض العقب وأصابع القدم
- براغي ربط النابض
- جورب الانزلاق
- غطاء القدم المطاطي



يتألف هذا الجهاز من أصابع قدم e-carbon و نابض عقب حر وتحتوي مجموعة الحامل على نابض يتيح انحراف و/أو دوران الأتوبوب ذي الرأس الهرمي في نطاق محدود تحت تأثير الأحمال المحورية و/أو الالتوائية. عند إزالة الحمل، يعود النابض إلى وضعه الأصلي. وتأثير هذه الحركة هو تخفيف حدة أي قوى اصطدام قد تنتقل لولا ذلك إلى السطح البيئي بين التجويف والجدعة من الاتجاهين المحوري والجانبى.

يتم ربط نابض العقب و نابض أصابع القدم بمجموعة الحامل باستخدام براغي مصنوعة من التيتانيوم. تُعطى القدم بجورب من UHM PE ويُعطى ذلك الجورب بغطاء مطاطي من مادة PU.

٥ الصيانة

يتعين فحص الجهاز بشكلٍ مُنتظم عن طريق المعاينة البصرية.

ينبغي إبلاغ المُمارِس/مُقدِّم الخدمة بأي تغييرات تطرأ على أداء الجهاز، بما يتضمن على سبيل المثال صدور ضجيج غير مُعتاد أو زيادة الصلابة أو الدوران المحدود/المفرط أو التآكل الشديد أو التغيير البالغ في اللون جراء التعرض طويل الأمد للأشعة فوق البنفسجية.

كما يتعين أيضًا إبلاغ المُمارِس/مُقدِّم الخدمة بأي تغييرات تطرأ على وزن الجسم و/أو مستوى النشاط.

التنظيف

استخدم قطعة قماش رطبة وصابونًا لطيفًا لتنظيف الأسطح الخارجية، يُحظر استخدام المنظفات القوية.

بقية الإرشادات الواردة في هذا القسم موجهة للممارِس فقط.

يجب إجراء أعمال الصيانة من خلال مختصين مؤهلين (مُمارِس أو فني مُؤهل تأهيلًا مُناسبًا).

يجب إجراء أعمال الصيانة الروتينية الآتية سنويًا على أقل تقدير:

- إزالة غطاء القدم وجورب الانزلاق للتحقق من وجود تلف أو تآكل، واستبداله إذا لزم الأمر.
- فحص ومعاينة جميع البراغي للتأكد من أنها مبروطة بإحكام، راجع القسم التركيب؛ و قم بتنظيفها وإعادة تجميعها حسب اللزوم.
- فحص ومعاينة نواض العقب وأصابع القدم بحثًا عن أي علامات على الاهتراء أو التآكل، واستبدالها إذا لزم الأمر. ربما يتعرض الجهاز لأضرار سطحية طفيفة عقب استخدامه لفترة، ولن تؤثر مثل هذه الأضرار على متانة القدم الصناعية أو وظيفتها.

وَرَدَت إرشادات إزالة غطاء القدم المطاطي واستبدال النواض في قسم إزالة غطاء القدم المطاطي واستبدال نابض القدم.

يُعاد تشحيم أسطح محمل النابض إذا لزم الأمر. اتبع الخطوات الآتية لتنفيذ ذلك:

- قم بفك الجهاز حسبما هو مُبيّن في إرشادات استبدال نابض الصدمة المحوري.
- ادهن سطح المحمل بمادة التشحيم (928015) "Sapphire Endure" أو ما يماثلها من مواد التشحيم المُشَبَّعة بِمُتعدّد رباعي فلورو الإيثيلين (PTFE)، ثم أعد تجميعه.

تأكد من أن المُستخدِم قد قرأ وفهم جميع المعلومات المتعلقة بالسلامة والصيانة التي ينفذها المُستخدِم.

انصح المُستخدِم بضرورة فحص ومعاينة القدم الصناعية بصريًا بشكل دوري، وإبلاغ مُقدِّم الخدمة بأي علامات تآكل قد تؤثر على وظيفة الجهاز (مثل التآكل الشديد أو التغيير البالغ في اللون جراء التعرض طويل الأمد للأشعة فوق البنفسجية).

عند استخدام الجهاز في نشاط عنيف، فنبغي مراجعة مستوى الصيانة ومعدل تكرارها، ويمكن المطالبة بتقديم الدعم والتوجيه الفني بغية إعداد جدول صيانة جديد في ضوء معدل ممارسة النشاط وطبيعته. ويتم تحديد ذلك من خلال تقييم المخاطر المحلية الذي يُجره الفرد المؤهل على نحو مناسب.

٦ قيود الاستخدام

العمر التشغيلي المستهدف

يجب إجراء تقييم محلي للمخاطر بناءً على النشاط والاستخدام.

رفع الأحمال

تخضع أوزان المستخدمين وأنشطتهم للحدود المذكورة. ينبغي أن يستند الحمل الذي يحمله المستخدم إلى تقييم المخاطر المحلية.

البيئة

يُنصح بتجنّب تعريض الجهاز لأي مواد أكالة مثل الماء والأحماض وغيرها من السوائل الأخرى. كما يجب تفادي البيئة التي يحدث فيها احتكاك، مثل التي تحتوي على رمال، نظرًا لاحتمال تسببها في التعجيل بالتآكل.

مُخصص فقط للاستخدام في درجة حرارة تتراوح بين 15°- و 50° مئوية.



مُناسب للاستخدامات الخارجية

٧ محاذاة المكونات على طاولة العمل

الإرشادات الواردة في هذا القسم مُوجهة للممارس فقط.

١-٧ المحاذاة الثابتة

ضبط الطول

مع التهيئة المناسبة لزاوية الانثناء ومسافات التقريب والإبعاد، فُمر بضبط طول الطرف الصناعي بحيث يكون أطول من القدم السليمة بواقع 10 ملم للسماح بانضغاط وانحراف نوابض القدم والصدمة المحورية أثناء السير. وينبغي إعادة تقييم هذه التهيئة قبل البدء في تجربة الطرف أثناء الحركة ومن ثم يُعدّل طول الطرف الصناعي تبعًا لذلك.

خط الاستقامة

ينبغي أن يبعد هذا الخط بمقدار 10 ملم عن مركز الرأس الهرمي (مع ضبط ارتفاع العقب بشكلٍ مناسب). ويحدّد موضع التجويف تبعًا لذلك.

٢-٧ المحاذاة أثناء الحركة

السطح الأمامي

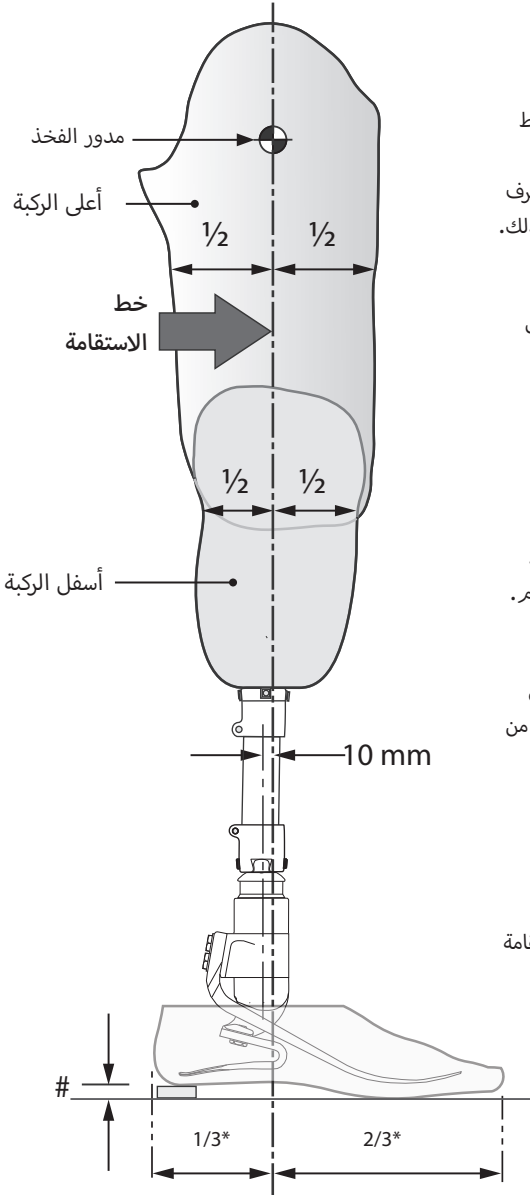
تأكد من أن قوة الدفع الجانبية الوسطى [M-L] عند الحد الأدنى من خلال تعديل المواضع النسبية للتجويف والقدم.

السطح الجانبي

تحقق من سلاسة الحركة بدايةً من ملاصقة العقب للأرض وصولاً إلى رفع أصابع القدم عن الأرض تمامًا. تأكد أيضًا من التحميل على كل من العقب وأصابع القدم بشكلٍ متساوٍ أثناء الوقوف وأن كليهما يُلامس الأرض.

٣-٧ المحاذاة أعلى الركبة

فُمر بمحاذاة العناصر التي تقع أعلى الركبة وفقًا لإرشادات التركيب المرفقة مع الركبة الصناعية، مع إبقاء خط الاستقامة الخاص بهذا الجهاز حسبما هو موضح.



يسمح للمستخدم بارتداء
#حذاءه الخاص
*النسبة التقريبية

٨ نصائح بشأن التركيب

الإرشادات الواردة في هذا القسم مُوجهة للممارس فقط.

يكون الجهاز مُزوَّدًا بنواياض في شكل مجموعات متوافقة مع بعضها، أي أنه قد تم تصميم نواياض العقب وأصابع القدم والنواياض المحورية لكي تعمل معًا لإضفاء قدر من السلاسة على تعاقب الخطوات بالنسبة لغالبية المستخدمين.

إسفين العقب

تأتي القدم الصناعية مُزوَّدةً بإسفين للعقب. سيؤدي تركيب الإسفين إلى تصلب نابض العقب. ولذلك يُمكن تثبيته في موضعه باستخدام شريط لاصق لتجربته أولاً. أما بالنسبة لتركيبه بشكلٍ دائمٍ، فينبغي تثبيت الأسفين في مكانها بوضع لاصق Loctite 424 (926104) بين سطح التلامس السفلي للعقب وبين الإسفين.

صلابة العقب

ينبغي أن يكون التقدم سلسًا خلال طور الوقوف؛ وتؤدي وظيفة العقب دورًا رئيسيًا في هذه العملية:

- إذا كان العقب ناعمًا للغاية أو إذا كان خط الجمل مُتأخرًا بشكلٍ مُفرطٍ، فسيؤدي ذلك إلى حدوث هبوط عند ملامسة العقب للأرض فضلًا عن مواجهة صعوبة في التحميل على أصابع القدم.
- وإذا كان العقب شديد القساوة أو كان خط الجمل مُتقدمًا بشكلٍ مُفرطٍ، فسيؤدي ذلك إلى التقدم بسرعة إلى وضعية منتصف الخطوة أو إصدار صرير عند ملامسة العقب للأرض.

الصلابة المحورية

يتحكم النابض المحوري في كلٍّ من المرونة الانضغاطية والالتوائية. في حالة السير العادي، ينبغي أن تتراوح الحركة العمودية النموذجية بين 3 و6 ملم. تتوفر نواياض صلابة بديلة لاستخدامها إذا لزم الأمر.

| العلاج | الأعراض | |
|---|--|----------------------------------|
| <ol style="list-style-type: none"> 1. أضف إسفينًا للعقب 2. حرك التجويف للأمام بالنسبة للقدم (قد تؤدي الحركة المفرطة إلى السقوط) 3. إذا لم يتم حل المشكلة بتطبيق الخطوتين 1 و2، فاستخدم مجموعة نابض أشد صلابة | <ul style="list-style-type: none"> • حدوث هبوط عند ملامسة العقب للأرض • صعوبة في التحميل على أصابع القدم (صعوبة بالغة في تحريك أصابع القدم) | العقب لين جدًا |
| <ol style="list-style-type: none"> 1. أزل إسفين العقب (إذا كان مركَّبًا) 2. حرك التجويف للخلف بالنسبة للقدم 3. إذا لم يتم حل المشكلة بتطبيق الخطوتين 1 و2، فاستخدم مجموعة نابض أكثر ليونة | <ul style="list-style-type: none"> • الانتقال السريع من مرحلة ملامسة العقب للأرض إلى طور الوقوف • صعوبة التحكم في حركة العقب، وتصدُّر القدم صريرًا في منتصف الخطوة • الشعور بأن القدم صلبة للغاية | العقب شديد القساوة |
| <ol style="list-style-type: none"> 1. حرك التجويف للخلف بالنسبة للقدم 2. حرك القدم للأسفل قليلًا - ملاحظة: قد يستلزم الأمر إعادة المحاذاة بقدر ما | <ul style="list-style-type: none"> • التقدم السريع إلى منتصف الخطوة. • احتمالية "السقوط" عند ممارسة أنشطة ذات مستوى مرتفع | إصبع القدم/نصل الارتكاز لين جدًا |

ملاحظة... إذا تعدَّد السير بسلاسة بعد اتباع النصائح أعلاه، يرجى الاتصال بالمُورِّد الخاص بك.

٩ إزالة غطاء القدم المطاطي واستبدال نابض القدم

الإرشادات الواردة في هذا القسم موجهة للممارس فقط.

يتعين استخدام معدات الصحة والسلامة المناسبة في سائر الأوقات، متضمنةً مرافق الاستخراج.

توخ الحذر طوال الوقت لتفادي خطر انحشار الإصبع.



اسحب نابض أصابع القدم إلى خارج الغطاء



مفتاح ربط
بمسافة 13
ملم بين
الجانبين
المتوازيين

فك براغي نابض أصابع القدم (مفتاح ربط بمسافة 13 ملر بين جانبيه المتوازيين 940273).



نابض العقب

فك براغي نابض العقب وأزله. ركب نابض عقب جديدًا على الحامل، استخدم لاصق Loctite 243 (926012) وعزم دوران يصل إلى 15 نيوتن متر. استخدم مفتاحًا سداسيًا خاصًا 940080 أو مهانج عزم الدوران 940081 أو مفتاح ربط بمسافة 13 ملر بين كل جانبيين متوازيين 940273



قم بتدوير مجموعة الحامل/نابض العقب باتجاه مؤخرة القدم بهدف فصل النابض عن موقعه بغطاء القدم.



إذا كان من المقرر تركيب غلاف تجميلي رغوي، يتعين تخشين السطح العلوي لغطاء القدم المطاطي بهدف توفير سطح مثالي للتثبيت.



أصق نابض أصابع القدم بالحامل بوضع لاصق Loctite 243 (926012) على المسامير.

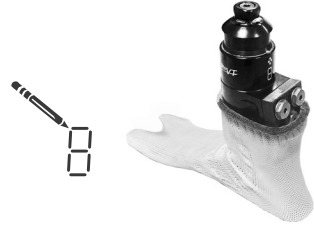
1. بالنسبة للنوابض المصنفة من 1 إلى 7، استخدم مفتاح سداسي بمسافة 4 ملر بين كل جانبيين متوازيين وعزم دوران يصل إلى 15 نيوتن متر. يُحظر استخدام اللقمة السداسية الخارجية، فهذا مُخصَّص لفك المسامير إذا لزم الأمر.
2. بالنسبة للنوابض المصنفة 8 و9، يُستخدم مفتاح ربط سداسي بمسافة 13 ملر بين كل جانبيين متوازيين وعزم دوران يصل إلى 25 نيوتن متر.

8



أدخل المجموعة داخل غطاء القدم المطاطي وادفع كلاً من نابض أصابع القدم ومجموعة الحامل والعقب للأمام لتصبح غائرة قدر الإمكان داخل غطاء القدم.

7



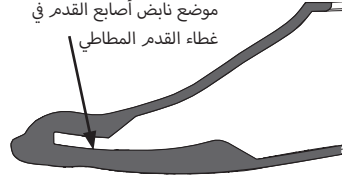
حدد الحامل بعلامة تدل على فئة النابض على النحو المناسب ثم ركب جورب الانزلاق حسبما هو مُبيّن.

10



مرر قرن تسهيل ارتداء الحذاء المعدني بين نابض العقب وبين مؤخرة الفتحة الموجودة بغطاء القدم. اغرز النابض بحيث يصبح غائرًا في غطاء القدم بالتزامن مع دفع المجموعة بأكملها لأسفل.

9



موضع نابض أصابع القدم في غطاء القدم المطاطي

تأكد من تركيب النابض في موضعه الصحيح بالفتحة الموجودة في غطاء القدم المطاطي.

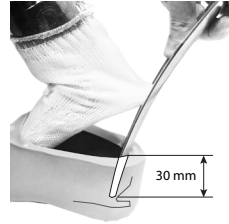
12



فتحة موضع نابض العقب

تأكد من تثبيت نابض العقب في موضعه الصحيح بالفتحة الموجودة في غطاء القدم المطاطي.

11



ينبغي وضع قرن تسهيل ارتداء الحذاء أسفل السطح العلوي لغطاء القدم المطاطي بمسافة 30 ملم تقريبًا لضمان التحامه تمامًا بنابض العقب.

13

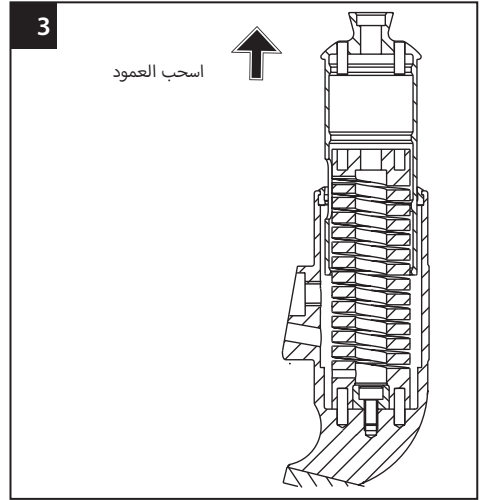
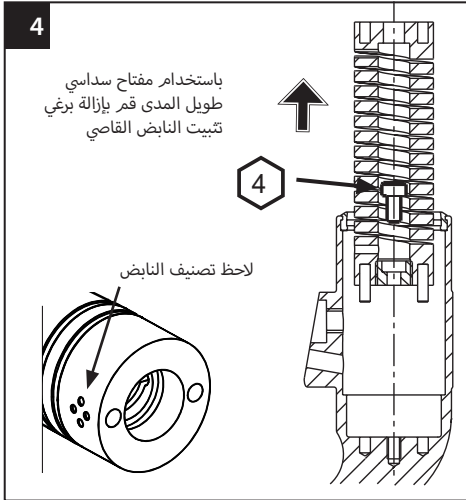
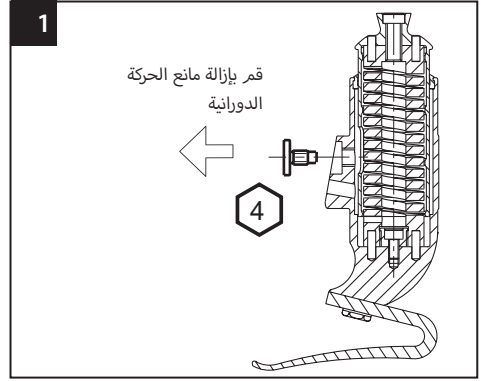
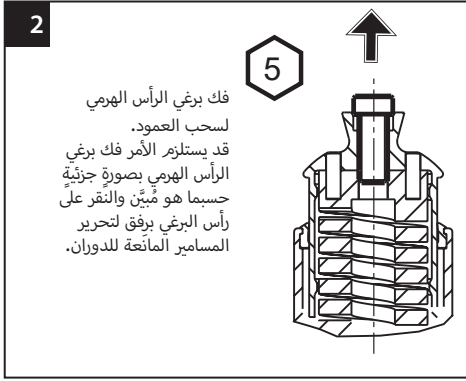


ألصق الغلاف التجميلي الرغوي بالسطح العلوي لغطاء القدم المطاطي حسبما هو مُبيّن، ويكون ذلك باستخدام لاصق Thixofix (926204) أو ما يماثله ويُشكّل ليلانثر الطرف.

١٠ استبدال نابض الصدمة المحوري

الإرشادات الواردة في هذا القسم مُوجهة للممارس فقط.

قم بإزالة النابض من غطاء القدم المطاطي حسبما هو مُبيّن سابقاً



أعد تشحيم سطح المحمل باستخدام مادة التشحيم «Sapphire Endure» (928015) أو ما يماثلها من مواد التشحيم المُشَبَّعة بمتعدد رباعي فلورو الإيثيلين إذا لزم الأمر.

تم إعادة التجميع بعكس ترتيب الخطوات السابقة، مع مراعاة موضع وموقع مسامير منع الدوران في النابض المحوري واتجاه الفتحة الموجودة في العمود (الجانب الخلفي). قم بتشحيم البراغي باستخدام مادة Loctite وأحكام ربطها حسبما هو مُبيّن في القسم التركيب.

15°- إلى 50° مئوية

نطاق درجة حرارة التشغيل والتخزين:

1000 جرام

وزن المُكوّن الأساسي (مقاس 26):

4-3

مستوى النشاط:

166 كجم

الوزن الأقصى للمستخدم:

زاوية بمقدار ± 7 درجات

نطاق الضبط:

$\pm 15^\circ$

الحد الأقصى للدوران

من 3 إلى 6 ملم (بحد أقصى 10 ملم)

الحركة المحورية النموذجية

رأس هرمي ذكر (Blatchford)

الوصلة الدائنية:

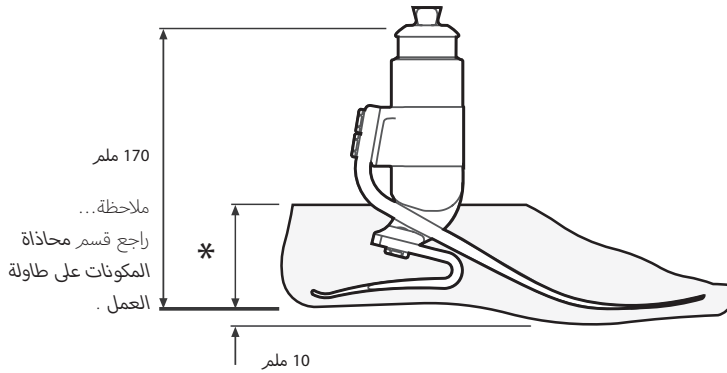
170 ملم

ارتفاع الهيكل:

10 ملم

ارتفاع العقب

طول الأجزاء



* المقاسات

65 = 22-26 ملم

70 = 27-28 ملم

75 = 29-30 ملم

١٢ معلومات الطلب

مثال على طلب الشراء

| | | | | | | |
|-----|----|---|---|---|---|---|
| EVT | 25 | L | N | 7 | 3 | S |
|-----|----|---|---|---|---|---|

حذاء مفتوح الصدمة نابض مجموعة النابض العرض* الجانب المقاس
 (يسار (L) واسع (W) (يمين (R) / (ضيق (N) /

تُتوفر بالمقاسات من 22 إلى 30:

من EVT22L11S إلى EVT30R94S

من EVT22L11SD إلى EVT30R94SD

مثال: EVT25LN73S

للمقاسات من 25 إلى 28 فقط. يُهَمَّل حقل العرض بالنسبة لجميع المقاسات الأخرى.

(يُضاف حرف "D" لطلب غطاء قدم

مطاطي بلونٍ غامق)

طقم النابض

| مقاس القدم | | | | طقم النابض |
|------------|---------|---------|---------|------------|
| 30-29 | 28-27 | 26-25 | 22-24 | |
| طلب خاص | 539719S | 539710S | 539701S | المجموعة 1 |
| طلب خاص | 539720S | 539711S | 539702S | المجموعة 2 |
| 539730S | 539721S | 539712S | 539703S | المجموعة 3 |
| 539731S | 539722S | 539713S | 539704S | المجموعة 4 |
| 539732S | 539723S | 539714S | 539705S | المجموعة 5 |
| 539733S | 539724S | 539715S | 539706S | المجموعة 6 |
| 539734S | 539725S | 539716S | 539707S | المجموعة 7 |
| 539735S | 539726S | 539717S | 539708S | المجموعة 8 |
| 539736S | 539727S | 539718S | | المجموعة 9 |

(يُضاف حرف "D" لطلب لون غامق)

غطاء القدم المطاطي

نوابض الصدمة المحورية

| واسع | ضيق | المقاس/الجانب |
|----------|----------|---------------|
| - | 539038S | 22L |
| - | 539039S | 22R |
| - | 539040S | 23L |
| - | 539041S | 23R |
| - | 539042S | 24L |
| - | 539043S | 24R |
| 539044SW | 539044SN | 25L |
| 539045SW | 539045SN | 25R |
| 539046SW | 539046SN | 26L |
| 539047SW | 539047SN | 26R |
| 539048SW | 539048SN | 27L |
| 539049SW | 539049SN | 27R |
| 539050SW | 539050SN | 28L |
| 539051SW | 539051SN | 28R |
| 539052S | - | 29L |
| 539053S | - | 29R |
| 539054S | - | 30L |
| 539055S | - | 30R |

| | |
|--------|-----------|
| 539058 | التصنيف 1 |
| 539059 | التصنيف 2 |
| 539060 | التصنيف 3 |
| 539061 | التصنيف 4 |

جورب الانزلاق

| | |
|--------|-----------------------|
| 531011 | المقاسات من 22 إلى 24 |
| 532811 | المقاسات 25-30 |

المسؤولية

توصي الجهة المصنعة بقصر استخدام الجهاز على الظروف المحددة وأعراض الاستخدام المقصودة. يجب صيانة الجهاز وفقاً لإرشادات الاستخدام المرفقة مع الجهاز. لن تتحمل الجهة المصنعة أي مسؤولية عن أي نتائج سلبية ناجمة عن أي مكونات لم تصرح باستخدامها مع الجهاز.

المطابقة لمواصفات المفوضية الأوروبية (CE)

يستوفي هذا المنتج متطلبات اللائحة الأوروبية EU 2017/745 للأجهزة الطبية. تم تصنيف هذا المنتج كجهاز من الفئة 1 وفقاً لقواعد التصنيف الموضحة في الملحق الثامن من اللائحة. تتوفر شهادة إعلان المطابقة للمواصفات الأوروبية على الموقع الإلكتروني التالي: www.blatchford.co.uk

مريض واحد - استخدامات متعددة



جهاز طبي



التوافق

اعتمدت عملية الاستخدام مع المنتجات التي تحمل علامة Blatchford استناداً إلى اختبارات أجريت طبقاً للمعايير ذات الصلة ولوائح الأجهزة الطبية متضمنة الاختبار الهيكلي وتوافق الأبعاد والأداء الميداني المرصود. ويجب أن يتم الاستخدام المتزامن مع المنتجات البديلة التي تحمل علامة المطابقة الأوروبية (CE) في ضوء تقييم المخاطر المحلية الموثق والذي يظطلع به أحد الممارسين.

الضمان

يخضع هذا الجهاز للضمان لمدة 36 شهراً - وغطاء القدم المطاطي لمدة 12 شهراً - وجورب الانزلاق لمدة 3 أشهر. يجب أن يدرك المستخدم أن إجراء التغييرات أو التعديلات غير المعتمدة صراحة من شأنها أن تبطل الضمان وتراخيص التشغيل والإعفاءات. يرجى الرجوع إلى موقع Blatchford الإلكتروني للحصول على بيان الضمان الكامل الحالي.

الإبلاغ عن الحوادث الخطيرة

في حالة وقوع حادث خطير غير متوقع يتعلق بهذا الجهاز، يجب إبلاغ الجهة المصنعة والسلطة الوطنية المختصة لديك.

الجوانب البيئية

يجب إعادة تدوير المكونات وفقاً للوائح المحلية للتعامل مع النفايات حيثما أمكن.

الاحتفاظ بملصق التغليف

يُنصح الممارس بالحفاظ على ملصق التغليف باعتباره مستنداً يُثبت اقتناء الجهاز.

إقرارات العلامة لتجارية

Blatchford و Elite Foot هما علامتان تجاريتان مسجلتان لصالح شركة Blatchford Products Limited.

العنوان المسجل للجهة المصنعة

.Blatchford Products Limited, Lister Road, Basingstoke RG22 4AH, UK

blatchford.co.uk/distributors

Blatchford Products Ltd.

Unit D Antura
Kingsland Business Park
Basingstoke
RG24 8PZ
UNITED KINGDOM
Tel: +44 (0) 1256 316600
Fax: +44 (0) 1256 316710
Email: customer.service@blatchford.co.uk
www.blatchford.co.uk

Blatchford Inc.

1031 Byers Road
Miamisburg
Ohio 45342
USA
Tel: +1 (0) 800 548 3534
Fax: +1 (0) 800 929 3636
Email: info@blatchfordus.com
www.blatchfordus.com

Blatchford Europe GmbH

Am Prime-Parc 4
65479 Raunheim
GERMANY
Tel: +49 (0) 9221 87808 0
Fax: +49 (0) 9221/87808 60
Email: info@blatchford.de
www.blatchford.de

Email: contact@blatchford.fr
www.blatchford.fr

Endolite India Ltd.

A4 Naraina Industrial Area
Phase - 1
New Delhi
INDIA – 110028
Tel: +91 (011) 45689955
Fax: +91 (011) 25891543
Email: endolite@vsnl.com
www.endoliteindia.com

Ortopro AS

Hardangervegen 72
Seksjon 17
5224 Nesttun
NORWAY
Tel: +47 (0) 55 91 88 60
Email: post@ortopro.no
www.ortopro.no



Blatchford Europe GmbH
Am Prime-Parc 4
65479 Raunheim Germany

