

# Transfemoral Suction Socket Valve Kit for Rigid Sockets

## Instructions for Use

099132, 099134 (Large)

EN	Instructions for Use	2
SL	Navodila za uporabo	13
BG	Инструкции за употреба	24
HR	Upute za uporabu	35
SK	Návod na použitie	46
HU	Használati útmutató	57
EL	Οδηγίες χρήσης	68
LV	Lietošanas pamācība	79
LT	Naudojimo instrukcija	90
ET	Kasutusjuhend	101

# Contents



Contents .....	2
1 Description and Intended Purpose .....	3
2 Safety Information .....	4
3 Construction .....	5
4 Function.....	6
5 Maintenance .....	6
6 Limitations on Use .....	7
7 Fitting Advice.....	8
8 Assembly Instructions .....	9
9 Technical Data .....	10
10 Ordering Information .....	11

---

# 1 Description and Intended Purpose

These Instructions for Use are intended for use by the practitioner and user unless otherwise stated.

The term *device* is used throughout these instructions for use to refer to the Transfemoral Suction Socket Valve Kit for Rigid Sockets.

Please read and ensure you understand all instructions for use, in particular all safety information and maintenance instructions.

## Application

The device is designed for use exclusively as part of a transfemoral lower limb prosthesis.

A prosthetic valve for use in suction sockets made with rigid thermoplastic socket materials.

Constructed in accordance with Blatchford socket manufacturing recommendations.

Intended for single user only.

## Features

- Maintains vacuum within the socket.
- Depression of the central button allows manual ingress or expulsion of air, adjusting the level of vacuum within the socket.
- Facilitates donning/doffing by removal of the central threaded valve.

## Activity Level

This device is suitable for activity levels 1 to 4; weight limits apply, see Technical Data, Section 9. Of course there are exceptions and in our recommendation we want to allow for unique, individual circumstances and any such decision should be made with sound and thorough justification.

### Activity Level 1

Has the ability or potential to use a prosthesis for transfers or ambulation on level surfaces at fixed cadence. Typical of the limited and unlimited ambulator.

### Activity Level 2

Has the ability or potential for ambulation with the ability to traverse low level environmental barriers such as curbs, stairs, or uneven surfaces. Typical of the limited community ambulator.

### Activity Level 3

Has the ability or potential for ambulation with variable cadence.

Typical of the community ambulator who has the ability to traverse most environmental barriers and may have vocational, therapeutic, or exercise activity that demands prosthetic utilization beyond simple locomotion.

### Activity Level 4

Has the ability or potential for prosthetic ambulation that exceeds basic ambulation skills, exhibiting high impact, stress, or energy levels. Typical of the prosthetic demands of the child, active adult, or athlete.

## Contraindications

- This device is not suitable for use with flexible socket materials.
- Users must have sufficient balance, dexterity and cognitive function to use the device during donning/doffing and understand how to operate the device.
- Users with poor hand or cognitive function may find donning, operation and cleaning the device difficult.
- Poor hygiene
- This device should not be used in sockets that are not total contact.

## Clinical Benefits

- Allows the expulsion of excess air from the prosthetic socket via a one-way system, for a close socket fit.
- Allows manual air expulsion/ingress management for different activities and requirements.

---

## 2 Safety Information



**This warning symbol highlights important safety information which must be followed carefully.**



Any changes in the performance or function of the device e.g. restricted movement, non-smooth motion, unusual noises or loss of vacuum should be immediately reported to your service provider.



Always use a hand rail when descending stairs and at any other time if available.



Avoid exposure to extreme heat and/ or cold.



The device is not suitable for extreme sports, running or cycle racing, ice and snow sports, extreme slopes and steps. Any such activities undertaken are done so completely at the users' own risk. Recreational cycling is acceptable.



Be aware of finger trap hazard at all times.



Assembly, maintenance and repair of the device must only be carried out by a suitably qualified clinician.



The user must not adjust or tamper with the setup of the device.



The user should be advised to contact their practitioner if their condition changes.



Ensure only suitably retrofitted vehicles are used when driving. All persons are required to observe their respective driving laws when operating motor vehicles.



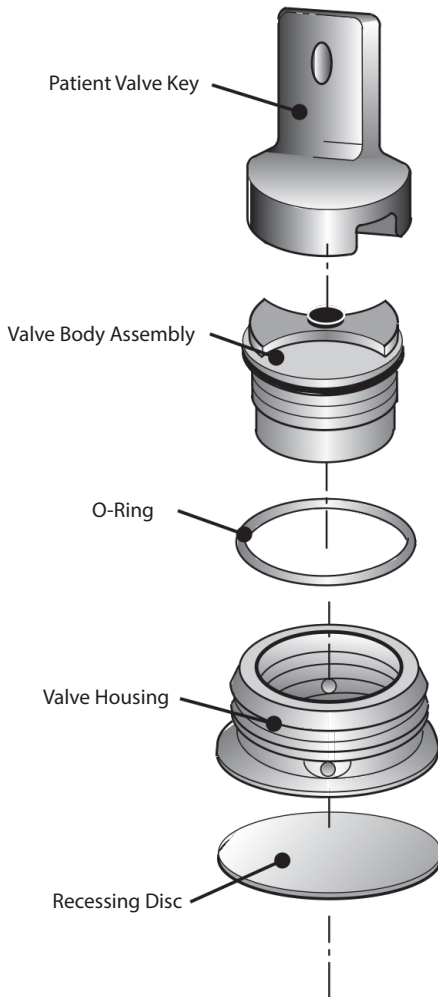
The device is designed for prolonged submersion and suitable for immersion in fresh water only. Ensure any use of the device in water complies with the conditions given in *Limitations on Use*.

# 3 Construction

## Principal Parts (099132)

- Recessing Disc Chloroprene rubber
- Valve Housing Nylon
- O-ring Silicone
- Valve Body Assembly Acetal homopolymer
- Patient Valve Key Acetal homopolymer or Nylon

## Component Identification



---

## 4 Function

This device provides a means of maintaining a vacuum within a prosthetic socket. The device allows for manual adjustment of that vacuum and expulsion of air via the central button. The device allows donning (pulling in) of prosthetic sockets via the removal of the central valve.

---

## 5 Maintenance

Visually check the device regularly.

Report any changes in performance of this device to the practitioner/service provider.

Changes in performance may include:

- Loss of vacuum
- Unusual noise
- Lack or loss of control/ connection
- Deterioration/ changes to the residual limb
- Tissue damage to the residual limb
- Changes in performance of the device

Inform the practitioner/service provider of any changes in body weight and/or activity level.

### **Cleaning the Device**

The device is integrated into a prosthetic socket that should be cleaned daily to avoid any build up of bacteria. Take care handling the socket and device to avoid picking up dust, grit and other contamination which could cause irritation to the skin. Use a damp cloth and mild soap to clean outside surfaces, do not use aggressive cleansers.

Dry thoroughly before use.

### **Cleaning the Residual Limb**

1. Inspect the residual limb before and after prosthetic limb use or at least daily. Any deterioration in residuum condition should be reported to the practitioner. If the residual limb has tissue damage, ask your practitioner for advice.
2. Clean the skin daily with an unperfumed, pH balanced soap, rinse the skin with clean water to remove all residues.
3. Dry the residual limb.
4. Apply lotion to dry skin, as recommended by your practitioner.
5. Make sure that any damaged skin or open wound is properly and suitably dressed to prevent direct contact with the device.

**The remaining instructions in this section are for practitioner use only.**

Maintenance must be carried out only by competent personnel (practitioner or suitable trained technician).

The following routine maintenance is to be carried out at least annually.

- Inspect O-ring regularly
- Check that the device functions properly, if not fault find as per *Fitting Advice*.

---

## 6 Limitations on Use

### Intended Life

A local risk assessment should be carried out based upon activity and usage.

### Lifting Loads

User weight and activity is governed by the stated limits.

Load carrying by the user should be based on a local risk assessment.

### Environment

Avoid exposing the device to corrosive elements such as acids, industrial detergents, bleach or chlorine.

The use of creams or lotions with this device should be used with caution as these can foul the valve.

The product is waterproof to a maximum depth of 1 metre. Thoroughly rinse with fresh water after use in abrasive environments such as those that may contain sand or grit, for example, to prevent wear or damage to the device. Thoroughly rinse with fresh water after use in salt or chlorinated water.

Exclusively for use between -15 °C and 50 °C  
(5 °F to 122 °F).



Suitable for submersion

---

## 7 Fitting Advice

*The instructions in this section are for practitioner use only.*

Symptom	Remedy
The device is unable to maintain vacuum.	<ol style="list-style-type: none"><li data-bbox="568 244 1034 300">1. Check the valve body is securely located within the prosthetic socket.</li><li data-bbox="568 308 1034 363">2. Check the valve housing is seated correctly into the recess.</li><li data-bbox="568 371 1034 427">3. Confirm the O-ring is correctly located outside the valve body.</li><li data-bbox="568 435 1034 469">4. Dismantle and clean the valve.</li></ol>

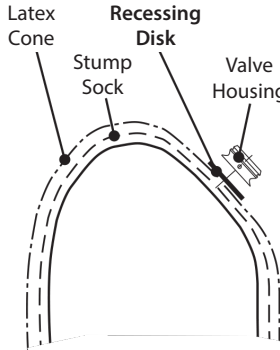
Consider the location of the valve on the definitive socket to suit the individual users unique requirements. Most users having a preference of the valve positioned disto-medially and slightly anteriorly in line with the adductor longus.



## 8 Assembly Instructions

*The instructions in this section are for practitioner use only.*

**1**

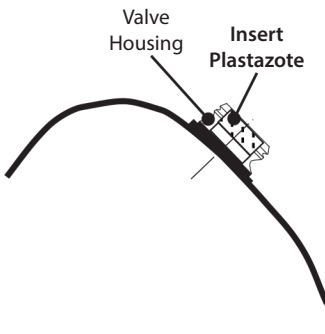


1. Locally flatten plaster cast where valve is to be fitted.

2. Fit a Stump Sock and Latex Cone over the cast.

3. Locate Recessing Disk and retain in position with double sided tape.

**2**



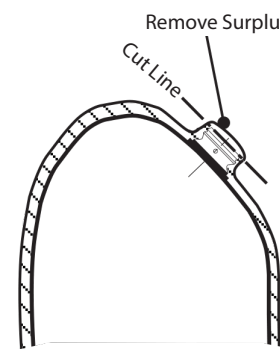
1. Apply first vacuum to form sock and cone onto cast, then place the valve housing in required position using double sided tape.

2. Insert Plastazote into valve housing, taking care not to obscure the 4 off breather holes.

3. Locally prick through latex, inside and outside valve housing.

4. O-ring to be carefully stretched (not rolled) onto groove on housing.

**3**



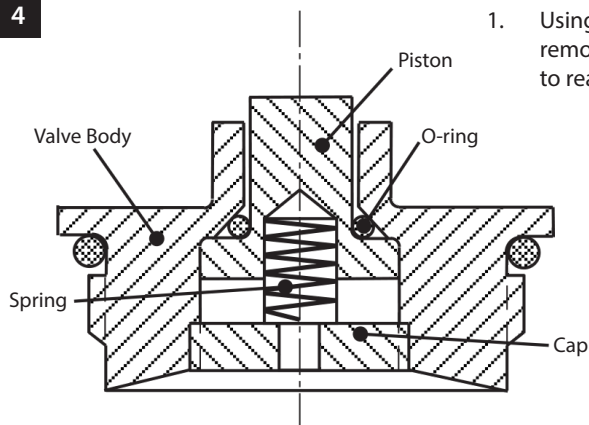
1. Drape socket, if required build down to allow for outer socket to be fabricated. Tie off around the valve body to ensure a good seal between the valve body and socket.

2. Drill a 6mm hole through the centre of the Valve Housing, insert airline and remove socket from cast.

3. Remove surplus material from Valve Housing as indicated (flush with housing) and remove Plastazone plug. Screw in Valve Body Assembly.

4. Ensure that the patient is supplied with Valve Key.

4



1. Using Tool No. 940047 unscrew cap and remove and clean all internal parts prior to reassembly.

## 9 Technical Data

Part No.

099132 (19 mm dia orifice)  
099134 (24 mm dia orifice)

Operating and  
Storage Temperature Range:

-15°C to 50°C  
(5°F to 122°F)

Component Weight:

27 g

Activity Level:

1-4

---

# 10 Ordering Information

## Part Number

### 099132 (19 mm dia orifice)

Spare Parts	
Description	Part Number
Patient Valve Key	940046
Valve Body Assembly	099232
O-ring	924137
Valve Housing	093203
Recessing Disc	093205

## Part Number

### 099134 (24mm dia orifice)

Spare Parts	
Description	Part Number
Patient Valve Key	940046
Valve Body Assembly	099334
O-ring	924142
Valve Housing	093402
Recessing Disc	093403

## Tools (for both 099132 and 099134)

Description	Part Number
Valve Spanner	940047

## Liability

The manufacturer recommends using the device only under the specified conditions and for the intended purposes. The device must be maintained according to the instructions for use supplied with the device. The manufacturer is not liable for any adverse outcome caused by any component combinations that were not authorized by them.

## CE Conformity

This product meets the requirements of the European Regulation EU 2017/745 for medical devices. This product has been classified as a class I device according to the classification rules outlined in Annex VIII of the regulation. The EU declaration of conformity certificate is available at the following internet address: [www.blatchford.co.uk](http://www.blatchford.co.uk)



Medical Device



Single Patient – multiple use

## Compatibility

Combination with Blatchford branded products is approved based on testing in accordance with relevant standards and the MDR including structural test, dimensional compatibility and monitored field performance.

Combination with alternative CE marked products must be carried out in view of a documented local risk assessment carried out by a Practitioner.

## Warranty

This device is warranted for 24 months.

The user should be aware that changes or modifications not expressly approved could void the warranty, operating licenses and exemptions.

The above may vary by market; consult your local representative for details.

See the Blatchford website for the current full warranty statement.

## Reporting of Serious Incidents

In the unlikely event of a serious incident occurring in relation to this device it should be reported to the manufacturer and your national competent authority.

## Environmental Aspects

This product is constructed from recyclable materials. Where possible the components should be recycled in accordance with local waste handling regulations.

## Retaining the Packaging Label

The practitioner is advised to keep the packaging label as a record of the device supplied.

## Trademark Acknowledgements

Registered trademarks of Blatchford Products Limited.

## Manufacturer's Registered Address

Blatchford Products Limited, Lister Road, Basingstoke RG22 4AH, UK.

Vsebina.....	13
1 Opis in namen uporabe .....	14
2 Varnostne informacije .....	15
3 Konstrukcija.....	16
4 Delovanje .....	17
5 Vzdrževanje.....	17
6 Omejitve uporabe.....	18
7 Nasvet za namestitev.....	19
8 Navodila za sestavo .....	20
9 Tehnični podatki .....	21
10 Podatki za naročanje.....	22

# 1 Opis in namen uporabe

Ta navodila za uporabo so predvidena za zdravnika in uporabnika, razen če je navedeno drugače.

Izraz *pripomoček* se v teh navodilih za uporabo uporablja za komplet ventila za transfemorarno sesalno ležišče za toga ležišča.

Preberite in poskrbite, da boste razumeli vsa navodila za uporabo, predvsem vse varnostne informacije in navodila za vzdrževanje.

## Uporaba

Pripomoček je predviden izključno kot del transfemoralne proteze za spodnje okončine.

Protetični ventil za uporabo v sesalnih ležiščih, izdelanih iz togih termoplastičnih materialov ležišč.

Izdelano v skladu s priporočili za izdelavo ležišč podjetja Blatchford.

Predvideno samo za enega uporabnika.

## Lastnosti

- Vzdržuje vakuum v ležišču.
- S pritiskom sredinskega gumba omogočite ročni vstop ali izstop zraka, s čimer prilagodite stopnjo vakuuma v ležišču.
- Poenostavi nameščanje/snemanje, tako da odstrani sredinski navojni ventil.

## Stopnja aktivnosti

Ta pripomoček je primeren za stopnje aktivnosti 1 do 4; upoštevati je treba omejitve teže; glejte Tehnični podatki, razdelek 9.

Seveda pa obstajajo izjeme, zato pri našem priporočilu dopuščamo možnost edinstvenih, posameznih okoliščin, odločitev o tem pa je treba sprejeti na osnovi temeljite presoje.

### Stopnja aktivnosti 1

Ima sposobnost ali potencial uporabljati protezo za transferje oz. premikanje po ravnih površinah z enakomernim korakom. Običajno omejeno in neomejeno pokretna oseba.

### Stopnja aktivnosti 2

Ima sposobnost ali potencial za premikanje s sposobnostjo premagovanja nizkih ovir, kot so robniki, stopnice ali neravne površine. Običajno je to omejeno pokretna oseba v javnosti.

### Stopnja aktivnosti 3

Ima sposobnost ali potencial za premikanje s spremenljivim korakom.

Običajno pokretna oseba, ki lahko premaga večino okoljskih ovir in morda opravlja poklicno, terapevtsko ali fizično aktivnost, ki zahteva uporabo proteze, ki presega zgolj preprosto gibanje.

### Stopnja aktivnosti 4

Ima sposobnost ali potencial za hojo s protezo, ki presega osnovne sposobnosti hoje, in je izpostavljena močnim udarcem, visokim obremenitvam ali visokim ravnem energije. Običajno za zahteve za protezo otroka, aktivne odrasle osebe ali športnika.

## Kontraindikacije

- Ta pripomoček ni primeren za uporabo s prožnimi materiali ležišč.
- Uporabniki morajo imeti zadostno ravnotežje, spretnost in kognitivno funkcijo, da lahko uporabljajo pripomoček med nameščanjem/snemanjem, in morajo razumeti, kako uporabljati pripomoček.
- Uporabniki z oslabiljeno funkcijo rok ali kognitivno funkcijo lahko imajo težave pri nameščanju in čiščenju pripomočka.
- Slaba higiena
- Tega pripomočka ne uporabljajte v ležiščih, ki nimajo popolnega stika.

## Klinične prednosti

- Omogoča izstop odvečnega zraka iz protetičnega ležišča skozi enosmerni sistem za tesno prileganje ležišča.
- Omogoča ročno sproščanje/dovajanje zraka pri različnih aktivnostih in zahtevah.

---

## 2 Varnostne informacije



**Ta opozorilni simbol poudarja pomembne varnostne informacije, ki jih je treba natančno upoštevati.**



Morebitne spremembe v delovanju pripomočka, kot so npr. omejeno gibanje, zatikajoče gibanje, neobičajni zvoki ali izguba vakuuma, je treba nemudoma javiti ponudniku storitve.



Pri hoji po stopnicah navzdol in vedno, ko je sicer mogoče, je treba uporabljati držala.



Ne izpostavljajte ekstremni vročini in/ali mrazu.



Pripomoček ni primeren za ekstremne športe, tekaške ali kolesarske dirke, športe na ledu in snegu ter za hojo po strminah in strmih stopnicah. Tovrstne aktivnosti uporabnik izvaja na lastno odgovornost. Rekreativno kolesarjenje je sprejemljivo.



Bodite pozorni, saj obstaja nevarnost, da se vam prsti ujamejo.



Pripomoček lahko sestavi, vzdržuje in popravlja samo ustrezno usposobljen zdravnik.



Uporabnik ne sme prilagajati ali spreminjati nastavitve pripomočka.



Uporabniku je treba svetovati, da se naj obrne na svojega zdravnika, če se njegovo stanje spremeni.



Poskrbeti je treba, da se za vožnjo uporabljajo samo ustrezno predelana vozila. Vse osebe morajo pri upravljanju motornih vozil upoštevati veljavne cestno-prometne predpise v svoji državi.



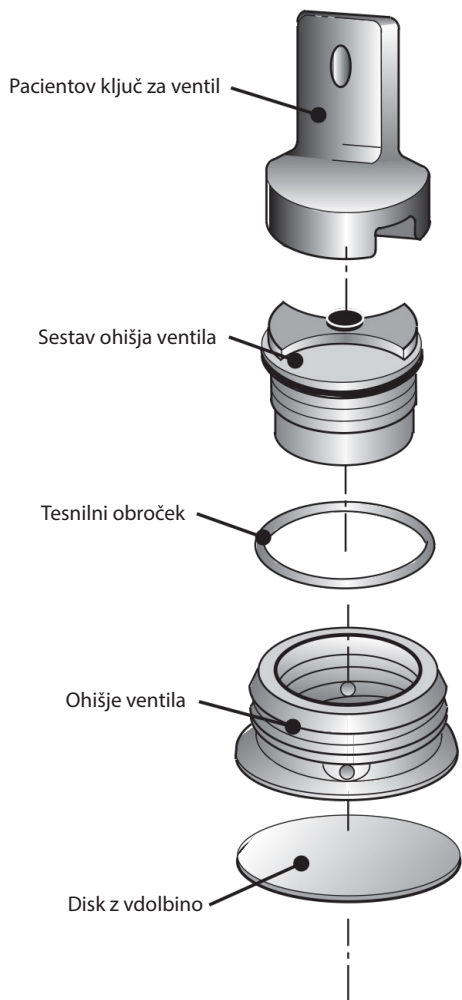
Pripomoček je zasnovan za dolgotrajno potopitev, in sicer samo v sladko vodo. Preverite, ali so pri uporabi tega pripomočka v vodi upoštevani pogoji, navedeni v *Omejitev uporabe*.

## 3 Konstrukcija

### Glavni deli (099132)

- Disk z vdolbino Kloroprenska guma
- Ohišje ventila Najlon
- Tesnilni obroček Silikon
- Sestav ohišja ventila Acetalni homopolimer
- Pacientov ključ za ventil Acetalni homopolimer ali najlon

### Identifikacija komponente





---

## 4 Delovanje

Ta pripomoček omogoča vzpostavitev in vzdrževanje vakuumu v protetičnem ležišču. Prav tako omogoča ročno prilagoditev vakuumu ter sprostitve zraka s sredinskim gumbom. Pripomoček omogoča nameščanje (nadevanje) protetičnih ležišč z odstranitvijo sredinskega ventila.

---

## 5 Vzdrževanje

Pripomoček je treba redno vizualno pregledovati.

Morebitne spremembe v delovanju pripomočka je treba sporočiti zdravniku/ponudniku storitve.

Spremembe v delovanju lahko vključujejo:

- izguba vakuumu;
- neobičajen hrup;
- pomanjkanje ali izguba nadzora/povezave;
- poslabšanje/spremembe na krnu okončine;
- poškodbe tkiva na krnu okončine;
- spremembe v delovanju pripomočka.

Zdravnika/ponudnika storitve obvestite o morebitnih spremembah v telesni teži in/ali stopnji aktivnosti.

### Čiščenje pripomočka

Pripomoček je integriran v protetično ležišče, ki ga je treba čistiti dnevno, da preprečite kopičenje bakterij. Pri ravnanju z ležiščem in pripomočkom pazite, da se nanje ne sprimejo prah, opilki in druge nečistoče, ki lahko dražijo kožo. Z vlažno krpo in blagim milom očistite zunanje površine. Ne uporabljajte agresivnih čistil.

Pred uporabo temeljito posušite.

### Čiščenje krna okončine

1. Pred uporabo proteze in po njej ali vsaj enkrat dnevno je treba pregledati krn okončine. Vsako poslabšanja v stanju krna okončine je treba sporočiti zdravniku. Če je tkivo na krnu okončine poškodovano, se posvetujte z zdravnikom.
2. Kožo dnevno čistite s pH-nevtralnimi milom brez dišav in jo sperite s čisto vodo, da odstranite vse ostanke čistila.
3. Posušite krn okončine.
4. Na suho kožo nanesite losjon, kot to priporoča zdravnik.
5. Poskrbite, da bo morebitna poškodovana koža ali odprta rana ustrezno povita, da preprečite neposreden stik s pripomočkom.

**Preostala navodila v tem poglavju so samo za zdravnika.**

Vzdrževanje lahko izvaja samo usposobljeno osebje (zdravnik ali ustrezno usposobljeni zdravstveni tehnik).

Redno vzdrževanje v nadaljevanju je treba opraviti najmanj enkrat letno.

- Redno preverjajte tesnilni obroček.
- Preverite, ali pripomoček pravilno deluje; če ne, poskusite odpraviti napako, kot je opisano v razdelku *Nasvet za namestitev*.

---

## 6 Omejitve uporabe

### **Predvidena uporabna doba**

Na osnovi aktivnosti in uporabe je treba opraviti lokalno oceno tveganja.

### **Dviganje bremen**

Glede na težo in aktivnost uporabnika veljajo navedene omejitve.

Pri prenašanju bremena mora uporabnik upoštevati lokalno oceno tveganja.

### **Okolje**

Pripomočka ne izpostavljajte korozivnim elementom, kot so kisline, industrijski detergenti, belilo ali klor.

Bodite previdni pri uporabi kremnih losjonov s tem pripomočkom, ker lahko škodijo ventilu.

Pripomoček je vodotesen do globine največ 1 m. Po uporabi v abrazivnih okoljih, kot so tista, ki vsebujejo pesek ali prod, je treba pripomoček temeljito sprati v sladki vodi, da preprečite, da se obrabi ali poškoduje. Pripomoček je prav tako treba temeljito sprati po uporabi v slani ali klorirani vodi.

Samo za uporabo pri temperaturi med  $-15$  in  $50$  °C



Primerno za potopitev v tekočine

## 7 Nasvet za namestitvev

*Navodila v tem poglavju so namenjena samo zdravniku.*

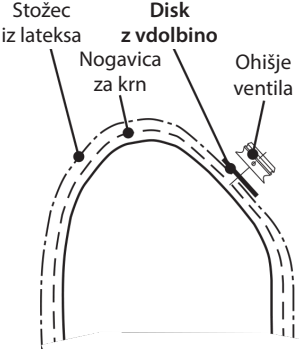
Težava	Ukrep
Pripomoček ne more vzdrževati vakuuma.	<ol style="list-style-type: none"><li data-bbox="568 244 1024 300">1. Preverite, ali je ohišje ventila varno pritrjeno v protetičnem ležišču.</li><li data-bbox="568 308 1024 363">2. Preverite, ali ohišje ventila pravilno naseda v vdolbini.</li><li data-bbox="568 371 1024 427">3. Preverite, ali je tesnilni obroček pravilno nameščen izven ohišja ventila.</li><li data-bbox="568 435 1024 466">4. Razstavite in očistite ventil.</li></ol>

Položaj ventila na ležišču prilagodite tako, da bo ustrezal zahtevam vsakega uporabnika. Večini uporabnikov ustreza, če je ventil disto-medialno in rahlo anteriorno poravnan z aduktorsko mišico.

## 8 Navodila za sestavo

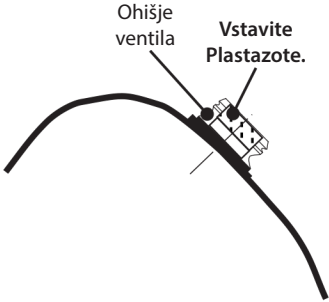
Navodila v tem poglavju so namenjena samo zdravniku.

**1**



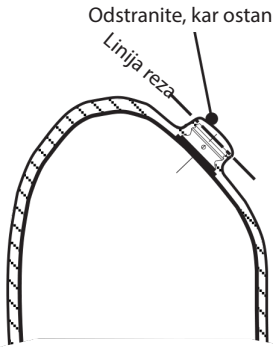
1. Lokalno sploščite mavec na mestu, kjer bo nameščen ventil.
2. Čez mavec poveznite nogavico za krn in stožec iz lateksa.
3. Poiščite disk z vdolbino in ga pritrdite v položaj z obojestranskim trakom.

**2**



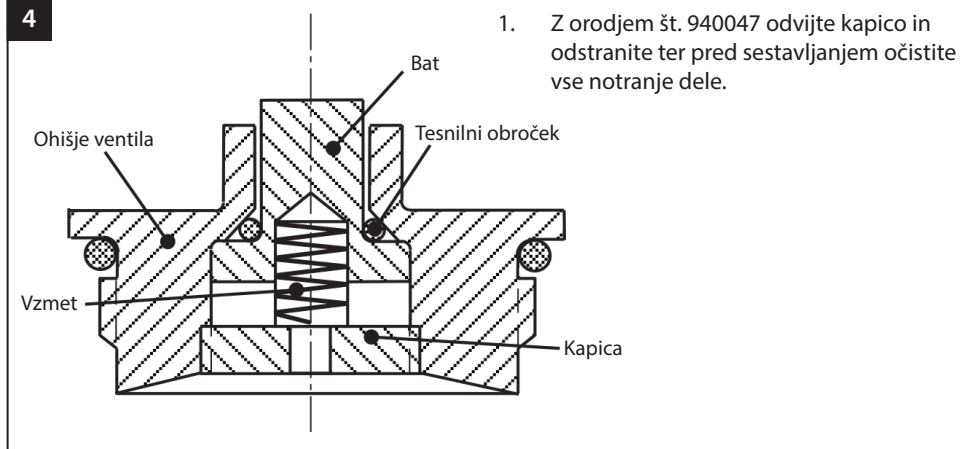
1. Ustvarite prvi vakuum, da oblikujete nogavico in stožec v mavec, nato pa s pomočjo obojestranskega lepilnega traku namestite ohišje ventila v ustrezen položaj.
2. Vstavite Plastazote v ohišje ventila, pri čemer pazite, da ne prekrijete 4 prezračevalnih lukenj.
3. Nato prebodite lateks znotraj in izven ohišja ventila.
4. Tesnilni obroček previdno raztegnite (ne navijte) na utor v ohišju.

**3**



1. Ležišče prekrijte s pokrivalom, da bo mogoče izdelati zunanje ležišče. Obvežite okrog ohišja ventila, da zagotovite dobro zatesnitev med ohišjem ventila in ležiščem.
2. Skozi sredino ohišja ventila zvrтайте 6-milimetrsko luknjo, vstavite zračno cevko in snemite ležišče z odlitka.
3. Odstranite odvečni material z ohišja ventila, kot je prikazano (da bo poravnano z ohišjem), in odstranite čep za Plastazone. Privijte sestav ohišja ventila.
4. Pacientu ne pozabite izročiti ključa za ventil.

4



## 9 Tehnični podatki

Št. dela

099132 (ustje s premerom 19 mm)

099134 (ustje s premerom 24 mm)

Temperaturno območje  
za uporabo in hrambo:

-15 °C do 50 °C

Teža komponente:

27 g

Stopnja aktivnosti:

1-4

# 10 Podatki za naročanje

## Številka dela

099132 (ustje s premerom 19 mm)

Nadomestni deli	
Opis	Številka dela
Pacientov ključ za ventil	940046
Sestav ohišja ventila	099232
Tesnilni obroček	924137
Ohišje ventila	093203
Disk z vdolbino	093205

## Številka dela

099134 (ustje s premerom 24mm)

Nadomestni deli	
Opis	Številka dela
Pacientov ključ za ventil	940046
Sestav ohišja ventila	099334
Tesnilni obroček	924142
Ohišje ventila	093402
Disk z vdolbino	093403

## Orodja (za 099132 in 099134)

Opis	Številka dela
Izvijač za ventil	940047

## Odgovornost

Proizvajalec priporoča, da se pripomoček uporablja samo pri specifikiranih pogojih in v predvidene namene. Pripomoček je treba vzdrževati v skladu z navodili, priloženimi pripomočku. Proizvajalec ne prevzema odgovornosti za morebitne neželene posledice, nastale zaradi kakršnih koli kombinacij komponent, ki jih ni odobril.

## Skladnost CE

Ta izdelek je v skladu z zahtevami evropske Uredbe EU 2017/745 o medicinskih pripomočkih. Ta izdelek je klasificiran kot izdelek razreda I v skladu z merili za klasifikacijo, navedenimi v prilogi VIII Uredbe. ES-izjava o skladnosti je na voljo na naslednjem spletnem naslovu: [www.blatchford.co.uk](http://www.blatchford.co.uk)



Medicinski pripomoček



Samo za enega bolnika –  
za večkratno uporabo

## Združljivost

Kombiniranje z izdelki znamke Blatchford je odobreno na osnovi preizkusov v skladu z ustreznimi standardi in uredbo o medicinskih pripomočkih, vključno s strukturnim testom, dimenzijsko združljivostjo in nadzorovano učinkovitostjo med uporabo.

Pri kombinacijah z alternativnimi izdelki z oznako CE je treba upoštevati dokumentirano lokalno oceno tveganja, ki jo opravi zdravnik.

## Garancija

Ta pripomoček ima 24-mesečno garancijo.

Uporabnik se mora zavedati, da zaradi sprememb ali prilagoditev, ki niso izrecno odobrene, garancija, uporabne licence in izjeme morda ne bodo veljavne.

Zgornje navedbe se lahko razlikujejo glede na trg; za podrobnosti se posvetujte z lokalnim zastopnikom.

Za trenutno celotno garancijsko izjavo obiščite spletno stran podjetja Blatchford.

## Prijava resnih nesreč

V malo verjetnem primeru resnih nesreč, nastalih v povezavi s tem pripomočkom, je treba o dogodku obvestiti proizvajalca in pristojne oblasti v vaši državi.

## Okoljski vidiki

Pripomoček je izdelan iz materialov, ki jih je mogoče reciklirati. Kjer je mogoče, je treba komponente reciklirati v skladu z veljavnimi lokalnimi predpisi za obravnavo odpadkov.

## Nalepka na embalaži

Zdravniku svetujemo, da nalepko na embalaži nameščenega pripomočka shrani za morebitno uporabo v prihodnje.

## Izjave o blagovnih znamkah

Registrirane blagovne znamke podjetja Blatchford Products Limited.

## Uradni naslov proizvajalca

Blatchford Products Limited, Lister Road, Basingstoke RG22 4AH, Združeno kraljestvo.

Съдържание.....	24
1 Описание и предназначение .....	25
2 Информация относно безопасността.....	26
3 Устройство.....	27
4 Функция.....	28
5 Поддръжка .....	28
6 Ограничения в употребата .....	29
7 Съвети относно монтажа.....	30
8 Инструкции за монтиране.....	31
9 Технически данни.....	32
10 Информация за поръчка.....	33



# 1 Описание и предназначение

Настоящите инструкции за употреба са предназначени за ползване само от лекаря/ протезиста и потребителя, освен ако не е посочено друго.

Терминът „изделие“ в настоящите инструкции за употреба се отнася за Клапан за бедрена приемна гилза с вакуум – комплект (за твърди приемни гилзи).

Моля, прочетете и се уверете, че разбирате всички инструкции за употреба и по-специално цялата информация относно безопасността и инструкциите за поддръжка.

## Приложение

Изделието е предназначено за използване само като част от бедрена протеза за долен крайник.

Протезен клапан за употреба в приемни гилзи с вакуум, изработени от твърди термопластични материали за приемни гилзи.

То е конструирано в съответствие с препоръките за производство на приемни гилзи на Blatchford.

Предназначено е само за индивидуална употреба.

## Характеристики

- Поддържа вакуум в приемната гилза.
- Натискането на централния бутон позволява ръчно управление на навлизането или изтласкването на въздуха, като така се регулира нивото на вакуум в приемната гилза.
- Улеснява слагането/свалянето чрез отстраняване на централния резбован клапан.

## Ниво на мобилност

Изделието е подходящо за нива на мобилност от 1 до 4 при спазване на ограниченията за теглото, вж. Раздел 9 Технически данни.

Разбира се, има изключения и нашата препоръка е да се вземат предвид специфичните и индивидуални характеристики, като всяко такова решение трябва да бъде взето въз основа на разумна и изчерпателна обосновка.

### Ниво на мобилност 1

Потребителят е в състояние или има потенциал да използва протезата за придвижване или ходене по равни повърхности при равномерен ритъм на крачката. Характерно за пациентите с ограничена и неограничена способност за движение.

### Ниво на мобилност 2

Потребителят е в състояние или има потенциал да преодолява малки препятствия на околната среда, като бордюри, стъпала или неравни повърхности. Характерно за пациентите с ограничена способност за движение, които се придвижват на открито.

### Ниво на мобилност 3

Потребителят е в състояние или има потенциал да се придвижва с различен ритъм на крачката. Характерно за пациенти, които се придвижват на открито без ограничения, които са способни да преодоляват повечето препятствия в околната среда и може да имат потребност от професионална, терапевтична или тренировъчна активност, която налага използване на протезата извън рамките на обикновеното придвижване.

### Ниво на мобилност 4

Потребителят е в състояние или има потенциал да се придвижва с протезата извън рамките на базовите умения за придвижване, което е свързано с повишено натоварване, напрежение или ниво на енергия. Характерно за изискванията към протезите за деца, активни възрастни или спортисти.

## Противопоказания

- Това изделие не е подходящо за употреба с гъвкави материали за приемни гилзи.
- Потребителите трябва да имат достатъчно добър баланс, сръчност и добра когнитивна функция, за да боравят с изделието по време на поставяне/сваляне и за да разберат как да го използват
- Потребителите с нарушена функция на ръцете или влошена когнитивна функция може да изпитат затруднения при поставяне, работа с изделието и почистването му.
- Лоша хигиена
- Това изделие не трябва да се използва с приемни гилзи, които не осигуряват пълен контакт.

## Клинични ползи

- Позволява изтласкване на излишния въздух от приемната гилза на протезата чрез еднопосочна система за постигане на плътно прилягане към приемната гилза.
- Позволява ръчно управление на изтласкването/навлизането на въздух при различни дейности и потребности.

## 2 Информация относно безопасността



Този предупредителен символ обозначава важна информация относно безопасността, на която трябва да се обърне внимание.



Всякакви промени в движението или функционирането на изделието, като например ограничения в движението, скованост, необичайни шумове или загуба на вакуум, трябва да се докладват незабавно на лекаря/ протезиста.



Винаги използвайте парапет при слизане по стълби, както и при всеки друг случай, ако е възможно.



Избягвайте излагане на прекалено високи и/или прекалено ниски температури.



Изделието не е подходящо за екстремни спортове, бягане или състезателно колоездене, зимни спортове, големи наклони и стъпала. Предприемането на всякакви такива действия е изцяло на собствен риск на потребителите. Допуска се колоездене с рекреационна цел.



Необходимо е винаги да внимавате да не заклещите пръстите си.



Монтирането, поддръжката и ремонтването на изделието трябва да се извършва единствено от медицински специалист с подходяща квалификация.



Потребителят не трябва да регулира или да променя настройката на изделието.



Препоръчва се потребителят да се свърже със своя лекар/протезист, ако състоянието му се промени.



Когато шофирате, използвайте само превозни средства с подходящо допълнително оборудване. Всички лица трябва да спазват съответните закони за движение по пътищата при управление на моторни превозни средства.



Изделието е предназначено за продължително потопяване под вода и намокряне само с питейна вода. Уверете се, че всяко използване на изделието във вода съответства на условията, посочени в *Ограничения в употребата*.

### 3 Устройство

#### Основни части (099132)

- Вдлъбнат диск Хлоропренов каучук
- Кожух на клапана Найлон
- Уплътнителен пръстен Силикон
- Сглобка на корпуса на клапана Полиацетал хомополимер
- Ключ на пациента за клапана Полиацетал хомополимер или найлон

#### Обозначение на елементите



---

## 4 Функция

Това изделие осигурява начин за поддържане на вакуум в протезната приемна гилза. Изделието позволява ръчно регулиране на този вакуум и изтласкване на въздух чрез централния бутон. Изделието позволява поставяне (издърпване) на протезната приемна гилза чрез отстраняване на централния клапан.

---

## 5 Поддръжка

Проверявайте редовно изделието визуално.

Съобщавайте на лекаря/протезиста за всякакви промени във функционирането на изделието.

Промените във функционирането на изделието може да включват:

- Загуба на вакуум
- Необичаен шум
- Липса или загуба на контрол/свързване
- Влошаване/промени в остатъчния крайник
- Увреждане на тъканите на остатъчния крайник
- Промени във функционирането на изделието

Информирайте лекаря/протезиста за всякакви промени в телесното тегло и/или нивото на мобилност.

### **Почистване на изделието**

Изделието е вградено в протезна приемна гилза, която трябва да се почиства всеки ден, за да се избегне натрупване на бактерии. Бъдете внимателни при употреба на приемната гилза и изделието, за да избегнете събиране на прах, пясъчинки и други замърсявания, които могат да причинят дразнене на кожата. Използвайте навлажнена кърпа и мек сапун за почистване на външните повърхности. Не използвайте агресивни почистващи препарати.

Изсушете старателно преди употреба.

### **Почистване на остатъчния крайник**

1. Проверявайте остатъчния крайник преди и след използване на протезата или най-малко веднъж дневно. Всяко влошаване на състоянието на остатъчния крайник трябва да се докладва на лекаря/протезиста. Ако е налице увреждане на тъканите на остатъчния крайник, поискайте съвет от лекаря/протезиста.
2. Почиствайте кожата ежедневно със сапун без аромат и с балансиран рН и изплаквайте кожата с чиста вода, за да премахнете всички замърсявания.
3. Подсушете остатъчния крайник.
4. Нанесете лосион върху суха кожа според препоръките на лекаря.
5. Всяко нараняване на кожата или отворена рана трябва да бъдат добре превързани с подходящи средства, за да се предотврати пряк контакт с изделието.

**Останалите инструкции в този раздел са предназначени само за лекаря/протезиста.**

Поддръжката трябва да се извършва само от компетентен персонал (медицинско лице или техник с подходяща квалификация).

Най-малко веднъж годишно трябва да се извършва следната рутинна поддръжка.

- Проверявайте редовно уплътнителния пръстен
- Проверявайте дали изделието функционира правилно и ако това не е така, потърсете причината за неизправност според посоченото в *Съвети относно монтажа*.

---

## 6 Ограничения в употребата

### Срок на експлоатация

Необходимо е извършване на индивидуална оценка на риска въз основа на мобилността и употребата.

### Повдигане на тежести

Ограниченията зависят от теглото на потребителя и неговото ниво на мобилност.

Носенето на тежести от потребителя трябва да бъде според индивидуалната оценка на риска.

### Околна среда

Избягвайте излагане на изделието на корозивни вещества, като киселини, промишлени почистващи препарати, белина или хлор.

Използването на кремове или лосиони с това изделие трябва да става с повишено внимание, тъй като тези продукти могат да запушат клапана.

Продуктът е водоустойчив до максимална дълбочина от 1 метър. Изплакнете добре с питейна вода след употреба в абразивна среда, като например среда, съдържаща пясък или прах, за да предотвратите износване или повреда на изделието. Изплакнете добре с питейна вода след употреба в солена или хлорирана вода.

Изделието може да се използва само при температура между -15 °C и 50 °C



Подходящо за потопяване под вода

## 7 Съвети относно монтажа

*Инструкциите в този раздел са предназначени само за медицинско лице/протезист.*

Признак	Решение
Изделието не може да поддържа вакуум	<ol style="list-style-type: none"><li>1. Проверете дали корпусът на клапана е стабилно поставен в протезната приемна гилза.</li><li>2. Проверете дали кожухът на клапана е поставен правилно във вдлъбнатината.</li><li>3. Уверете се, че уплътнителният пръстен е правилно разположен от външната страна на корпуса на клапана.</li><li>4. Демонтирайте и почистете клапана.</li></ol>

Имайте предвид, че местоположението на клапана на постоянната (окончателна) приемна гилза трябва да отговаря на индивидуалните изисквания на отделните потребители. Повечето потребители предпочитат клапанът да е разположен дисто-медиално и леко напред по линията на дългия привеждач (аддуктор лонгус).

## 8 Инструкции за монтиране

Инструкциите в този раздел са предназначени само за медицинско лице/протезист.

**1**

1. Изравнете гипсовата отливка на мястото, където трябва да се монтира клапанът.  
2. Поставете чорап за остатъчен крайник и конус от латекс върху отливката.  
3. Определете мястото на вдлъбнатия диск и го закрепете с помощта на двойнозалепаща лента.

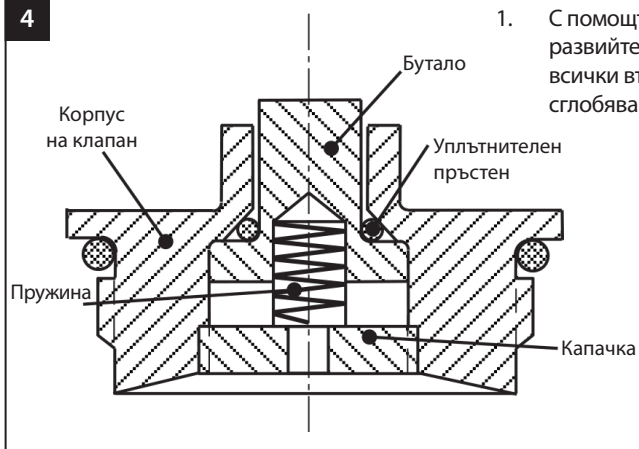
**2**

1. Първо използвайте вакуум, за да формовате чорапа и конуса върху отливката, след което поставете кожата на клапана в необходимото положение с помощта на двойнозалепаща лента.  
2. Поставете пяна Plastazote в кожата на клапана, като внимавате да не закрийте 4-те вентилационни отвора.  
3. Пробийте латекса на съответното място от вътрешната и външната страна на кожата на клапана.  
4. Уплътнителният пръстен трябва да бъде внимателно опънат (не навит) върху жлеба на кожата.

**3**

1. Драпирайте приемната гилза и ако е необходимо, изградете надолу, за да позволите изработка на външна приемна гилза. Завържете около корпуса на клапана, за да осигурите добро уплътнение между корпуса на клапана и приемната гилза.  
2. Пробийте отвор с диаметър 6 мм през центъра на кожата на клапана, поставете тръба за въздуха и извадете приемната гилза от отливката.  
3. Отстранете излишния материал от кожата на клапана, както е посочено (изравнете с кожата) и отстранете запушалката от Plastazote. Завинтете в сглобката на корпуса на клапана.  
4. Уверете се, че пациентът е снабден с ключ за клапан.

4



1. С помощта на инструмент № 940047 развийте винта и извадете и почистете всички вътрешни части преди повторно сглобяване.

## 9 Технически данни

Кат. №

099132 (отвор с диаметър 19 мм)  
099134 (отвор с диаметър 24 мм)

Температурен диапазон  
на експлоатация и съхранение:

от -15 °С до 50 °С

Тегло на елемента:

27 г

Ниво на мобилност:

1–4



## 10 Информация за поръчка

### Каталожен номер

099132 (отвор с диаметър 19 мм)

Резервни части	
Описание	Каталожен номер
Ключ на пациента за клапана	940046
Сглобка на корпуса на клапана	099232
Уплътнителен пръстен	924137
Кожух на клапана	093203
Вдлъбнат диск	093205

### Каталожен номер

099134 (отвор с диаметър 24 мм)

Резервни части	
Описание	Каталожен номер
Ключ на пациента за клапана	940046
Сглобка на корпуса на клапана	099334
Уплътнителен пръстен	924142
Кожух на клапана	093402
Вдлъбнат диск	093403

### Инструменти (за 099132 и 099134)

Описание	Каталожен номер
Ключ за регулиране на клапани	940047

## Отговорност

Производителят препоръчва изделието да се използва само при посочените условия и по предназначение. Изделието трябва да се поддържа в съответствие с инструкциите за употреба, предоставени с него. Производителят не носи отговорност за неблагоприятни събития, причинени от комбинации от елементи, които не са одобрени от него.

## Маркировка за съответствие CE

Този продукт отговаря на изискванията на Регламент (ЕС) 2017/745 за медицинските изделия. Този продукт е класифициран като продукт от клас I според правилата за класификация, описани в Приложение VIII на регламента. ЕС декларацията за съответствие е достъпна на следния интернет адрес: [www.blatchford.co.uk](http://www.blatchford.co.uk)



Медицинско  
изделие



Предназначено за многократна  
употреба от един пациент

## Съвместимост

Комбинирането с продукти на Blatchford е одобрено въз основа на изпитвания в съответствие с приложимите стандарти и Регламент (ЕС) 2017/745 за медицинските изделия, включително изпитване на конструкцията, съвместимост относно размерите и проследяване на функционалността в реални условия.

Комбинирането с други продукти с маркировка CE трябва да се извършва с оглед на документираната индивидуална оценка на риска, извършена от специалист.

## Гаранция

Гаранцията на това изделие е 24 месеца.

Потребителят трябва да е наясно, че промени или модификации, които не са изрично одобрени, биха могли да доведат до анулиране на гаранцията, лицензите за работа и изключенията.

Гаранционните условия може да варират на различните пазари. Консултирайте се с местния представител за повече информация.

Вижте уебсайта на Blatchford за актуалната пълна декларация за гаранция.

## Докладване на сериозни инциденти

В малко вероятния случай на сериозен инцидент, свързан с настоящото изделие, инцидентът трябва да се докладва на производителя и на компетентния национален орган.

## Екологични аспекти

Този продукт е направен от материали, подлежащи на рециклиране. Когато е възможно, елементите му трябва да се рециклират в съответствие с местните разпоредби за управление на отпадъците.

## Запазване на етикета на опаковката

Препоръчва се медицинското лице/протезистът да запази етикета на опаковката като документ за доставеното изделие.

## Потвърждение за търговска марка

Регистрирани търговски марки на Blatchford Products Limited.

## Адрес на управление на производителя

Blatchford Products Limited, Lister Road, Basingstoke RG22 4AH, Обединено кралство.

Sadržaj.....	35
1 Opis i predviđena namjena .....	36
2 Informacije o sigurnosti .....	37
3 Izvedba.....	38
4 Funkcija.....	39
5 Održavanje.....	39
6 Ograničenja uporabe.....	40
7 Savjeti za prilagođavanje .....	41
8 Upute za sklapanje .....	42
9 Tehnički podaci .....	43
10 Informacije za naručivanje.....	44

# 1 Opis i predviđena namjena

Ove upute za uporabu namijenjene su zdravstvenim djelatnicima i korisnicima, osim ako nije drukčije navedeno.

Izraz *proizvod* u ovim uputama za uporabu odnosi se na komplet ventila natkoljеничног vakuumnog ležišta za kruta ležišta.

Molimo s razumijevanjem pročitajte sve upute za uporabu, posebno sve informacije o sigurnosti i upute o održavanju.

## Primjena

Proizvod je osmišljen za uporabu isključivo kao dio natkoljene proteze donjeg ekstremiteta.

Protetički ventil za uporabu u vakuumskim ležištima izrađenima od krutih termoplastičnih materijala ležišta.

Konstruiran je u skladu s preporukama za proizvodnju ležišta Blatchford.

Namijenjen samo za jednog korisnika.

## Značajke

- Održava vakuum unutar ležišta.
- Pritiskom na središnji gumb ručno se regulira ulazak ili izbacivanje zraka, čime se prilagođava razina vakuuma u ležištu.
- Olakšava postavljanje/skidanje vađenjem središnjeg navojnog ventila.

## Stupanj aktivnosti

Ovaj proizvod prikladan je za stupnjeve aktivnosti 1 do 4, uz ograničenja težine, pogledajte Tehnički podaci, odjeljak 9.

Naravno, postoje iznimke, i u svojim preporukama trudimo se uzeti u obzir jedinstvene, individualne okolnosti te svako donošenje odluka mora biti razumno i detaljno obrazloženo.

### Stupanj aktivnosti 1

Može upotrebljavati ili postoji potencijal upotrebljavanja proteze za transfer ili kretanje na ravnim površinama ujednačenim tempom. Karakteristično za osobu ograničene i neograničene sposobnosti hoda.

### Stupanj aktivnosti 2

Može hodati ili postoji potencijal za hod uz sposobnost prelaženja manjih prepreka u okruženju, poput rubnika, stuba ili neravnih površina. Karakteristično za ograničene sposobnosti hoda u vanjskom okruženju.

### Stupanj aktivnosti 3

Može hodati ili postoji potencijal za hod promjenjivim tempom.

Karakteristično za osobu sa sposobnošću hoda u vanjskom okruženju koja može prelaziti većinu prepreka u okruženju i bavi se radnim, terapijskim ili rekreacijskim aktivnostima koje zahtijevaju složeniju uporabu proteze koja nadilazi jednostavne oblike kretanja.

### Stupanj aktivnosti 4

Može hodati ili postoji potencijal za hod s protezom koji nadilazi osnovne sposobnosti kretanja, a pokazuje značajnu razinu upora, izdržljivosti i energije. Karakteristično za protetičke potrebe djece, aktivnih odraslih osoba ili sportaša.

## Kontraindikacije

- Proizvod nije prikladan za uporabu s fleksibilnim materijalima ležišta.
- Korisnici moraju imati dovoljnu ravnotežu, okretnost i kognitivnu funkciju za upotrebljavanje proizvoda prilikom postavljanja/skidanja i razumjeti kako upravljati proizvodom.
- Korisnicima sa slabim funkcijama ruku ili slabim kognitivnim funkcijama postavljanje, upravljanje i čišćenje proizvoda može biti teško.
- Loša higijena
- Ovaj proizvod ne smije se upotrebljavati u ležištima koja nisu u punom kontaktu.

## Kliničke prednosti

- Omogućava izbacivanje viška zraka iz protetičkog ležišta pomoću jednosmjernog sustava radi pripijenosti ležišta.
- Omogućava ručno upravljanje izbacivanja/usisavanja zraka za različite aktivnosti i potrebe.

---

## 2 Informacije o sigurnosti



**Ova oznaka upozorenja naglašava važne informacije o sigurnosti kojih se potrebno pažljivo pridržavati.**



Bilo kakve promjene funkcionalnosti ili u radu proizvoda npr. ograničeni pokreti, neuravnoteženi pokreti, neobični zvukovi ili gubitak vakuuma moraju se odmah prijaviti pružatelju usluge.



Uvijek upotrebljavajte rukohvat prilikom silaženja niza stube i u svim ostalim prilikama ako je dostupno.



Izbjegavajte izlaganje ekstremnim vrućinama i/ili hladnoći.



Proizvod nije primjeren za ekstremne sportove, natjecanja u trčanju ili biciklizmu, zimske sportove, ekstremne padine i stube. Bavljenje takvim aktivnostima na isključivu je odgovornost korisnika. Rekreativni biciklizam je prihvatljiv.



U svakom trenutku vodite računa o riziku od prignječenja prstiju.



Sklapanje, održavanje i popravak proizvoda mora obavljati odgovarajuće osposobljeni kliničar.



Korisnik ne smije prilagođavati ili preinačavati proizvod.



Korisnika treba uputiti da o svakoj promjeni svog stanja obavijesti zdravstvenog djelatnika.



Osigurajte da se za vožnju koriste odgovarajuće prilagođena vozila. Svi korisnici dužni su pridržavati se važećih prometnih propisa prilikom upravljanja motornim vozilima.



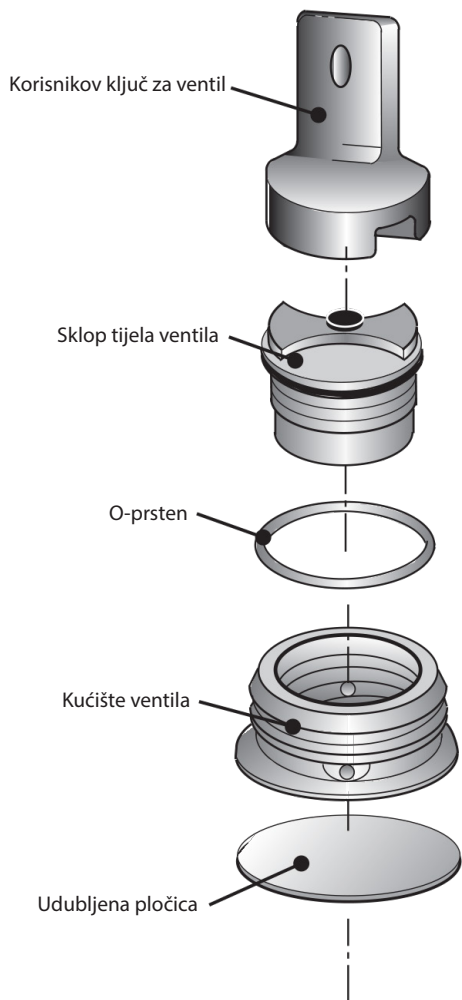
Proizvod je namijenjen produljenom potapanju i prikladan samo za uranjanje u slatku vodu. Osigurajte da je uporaba proizvoda u vodi u skladu s uvjetima navedenim u odjeljku *Ograničenja uporabe..*

## 3 Izvedba

### Glavni dijelovi (099132)

- Udubljena pločica Kloroprenska guma
- Kućište ventila Najlon
- O-prsten Silikon
- Sklop tijela ventila Acetal homopolimer
- Korisnikov ključ za ventil Acetal homopolimer ili najlon

### Prikaz komponenti



---

## 4 Funkcija

Ovaj proizvod služi za održavanje vakuuma unutar protetičkog ležišta. Proizvod omogućava ručnu prilagodbu tog vakuuma i izbacivanje zraka pomoću središnjeg gumba. Proizvod omogućava postavljanje (uvlačenje) protetičkih ležišta uklanjanjem središnjeg ventila.

---

## 5 Održavanje

Redovito vizualno pregledavajte proizvod.

Prijavite bilo kakve promjene u funkcionalnosti ovog proizvoda zdravstvenom djelatniku/pružatelju usluge.

Promjene u funkcionalnosti mogu uključivati:

- Gubitak vakuuma
- Neobične zvukove
- Manjak ili gubitak kontrole/priključenja
- Pogoršanja/promjene bataljka
- Oštećeno tkivo na bataljku
- Promjene u funkcionalnosti proizvoda

Obavijestite zdravstvenog djelatnika/pružatelja usluge o svim promjenama u tjelesnoj težini i/ili stupnju aktivnosti.

### Čišćenje proizvoda

Proizvod je ugrađen u protetičko ležište koje je potrebno svakodnevno čistiti kako bi se izbjeglo razmnožavanje bakterija. Pažljivo rukujte ležištem i proizvodom kako biste izbjegli skupljanje prašine, srha i drugog onečišćenja koje bi moglo izazvati nadraživanje kože. Vanjske površine čistite vlažnom krpom i blagim sapunom, ne upotrebljavajte agresivna sredstva za čišćenje.

Potpuno osušite prije uporabe.

### Čišćenje bataljka

1. Provjerite bataljak prije i nakon svake uporabe protetičkog ekstremiteta ili barem svakodnevno. Sva pogoršanja stanja bataljka moraju se prijaviti zdravstvenom djelatniku. Ako je na bataljku oštećeno tkivo, upitajte svog zdravstvenog djelatnika za savjet.
2. Svakodnevno očistite kožu pH neutralnim sapunom bez mirisa, isperite kožu čistom vodom kako biste uklonili sva zaprljanja.
3. Osušite bataljak.
4. Nanesite losion na suhu kožu, prema preporuci svog zdravstvenog djelatnika.
5. Vodite računa da su sva oštećenja kože ili otvorene rane propisno i primjereno zbrinuti kako bi se spriječio izravan doticaj s proizvodom.

**Ostale upute u ovom odjeljku namijenjene su samo zdravstvenom djelatniku.**

Održavanje smije izvoditi samo kvalificirano osoblje (zdravstveni djelatnik ili odgovarajuće osposobljeni tehničar).

Sljedeće rutinsko održavanje potrebno je izvoditi najmanje jedanput godišnje.

- Redovito provjeravajte O-prsten
- Provjerite radi li proizvod ispravno, za dijagnostiku nepravilnosti pogledajte *Savjeti za prilagođavanje*

---

## 6 Ograničenja uporabe

### Predviđen rok trajanja

Lokalnu procjenu rizika potrebno je izvršiti na temelju aktivnosti i uporabe.

### Podizanje tereta

Tjelesna težina korisnika i aktivnosti podliježu navedenim ograničenjima.

Teret koji korisnik smije nositi mora se odrediti lokalnom procjenom rizika.

### Okruženje

Izbjegavajte proizvod izlagati korozivnim tvarima poput kiselina, industrijskih deterdženata, izbjeljivača ili klora.

Potreban je oprez pri uporabi krema ili losiona s ovim proizvodom jer oni mogu onečistiti ventil.

Proizvod je voodootporan do maksimalno 1 m dubine. Temeljito isperite slatkom vodom nakon uporabe u abrazivnim okruženjima, npr. s pijeskom ili srhom, kako biste spriječili habanje ili oštećenja proizvoda. Temeljito isperite pitkom vodom nakon uporabe u slanoj ili kloriranoj vodi.

Isključivo za uporabu na temperaturi od -15 °C do 50 °C



Prikladno za potapanje



## 7 Savjeti za prilagođavanje

*Upute u ovom odjeljku namijenjene su samo zdravstvenom djelatniku.*

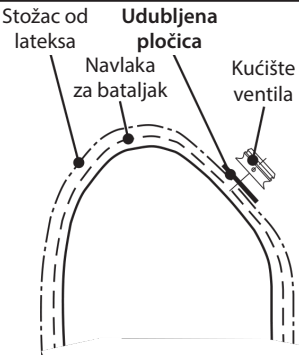
Simptom	Korektivne mjere
Proizvod ne može održati vakuum	<ol style="list-style-type: none"><li>1. Provjerite je li tijelo ventila u osiguranom položaju unutar protetičkog ležišta.</li><li>2. Provjerite je li kućište ventila ispravno sjelo u udubljenje.</li><li>3. Potvrdite ispravan položaj O-prstena izvan tijela ventila.</li><li>4. Rastavite i očistite ventil.</li></ol>

Vodite računa o položaju ventila u konačnom ležištu radi posebnosti individualnih potreba korisnika. Većina korisnika daje prednost distalno-medijalnom položaju ventila i blago unaprijed u skladu s mišićem dugim primicačem (adductor longus).

## 8 Upute za sklapanje

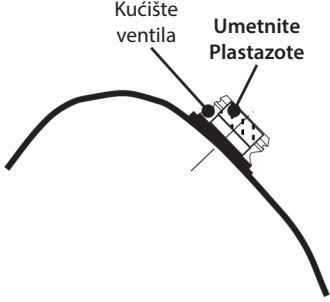
Upute u ovom odjeljku namijenjene su samo zdravstvenom djelatniku.

**1**



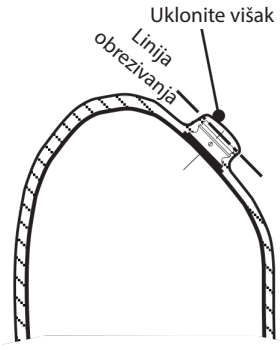
1. Lokalno zaravnajte gipsani odljevak na mjestu postavljanja ventila.
2. Namjestite navlaku za bataljak i stožac od lateksa preko odljevka.
3. Locirajte udubljenu pločicu i učvrstite na položaj obostrano ljepljivom trakom.

**2**

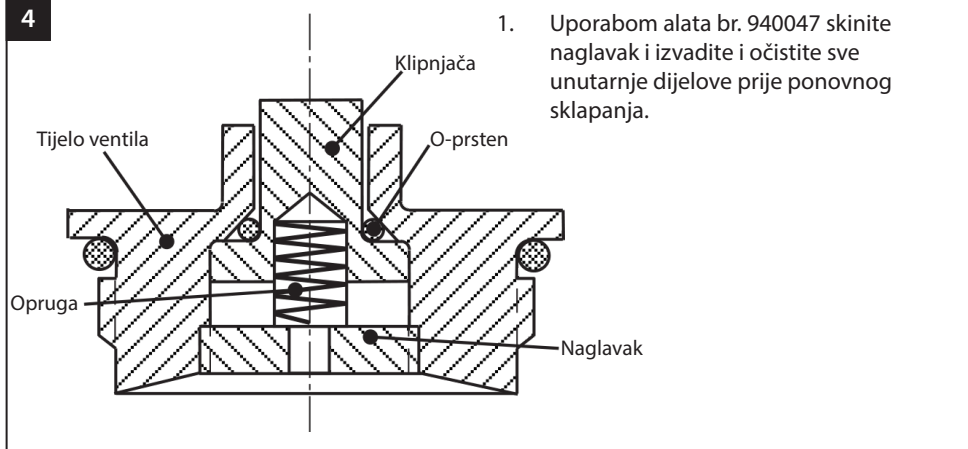


1. Prvo upotrijebite vakuum kako biste oblikovali navlaku i stožac na odljevak, zatim umetnite kućište ventila na potrebno mjesto pomoću obostrano ljepljive trake.
2. Umetnite Plastazote u kućište ventila, pazeći da ne prekrijete 4 oduška.
3. Lokalno probodite kroz lateks, unutar i izvan kućišta ventila.
4. O-prsten mora biti pažljivo rastegnut (ne navučen) na žlijeb na kućištu.

**3**



1. Omotajte ležište, po potrebi nadogradite radi izrade vanjskog ležišta. Podvežite oko tijela ventila kako biste osigurali dobro brtvljenje između tijela ventila i ležišta.
2. Izbušite rupu promjera 6 mm kroz sredinu kućišta ventila, umetnite cijev za dovod zraka i izvadite ležište iz odljevka.
3. Uklonite višak materijala iz kućišta ventila kako je označeno (u ravni s kućištem) i uklonite čep od Plastazota. Uvrnite sklop tijela ventila.
4. Osigurajte da korisniku bude isporučen ključ za ventil.



## 9 Tehnički podaci

Dio br.

099132 (otvor promjera 19 mm)

099134 (otvor promjera 24 mm)

Radni i temperaturni raspon  
skladištenja:

-15 °C do 50 °C

Težina komponente:

27 g

Stupanj aktivnosti:

1–4

# 10 Informacije za naručivanje

## Broj dijela

**099132 (otvor promjera 19 mm)**

Rezervni dijelovi	
Opis	Broj dijela
Korisnikov ključ za ventil	940046
Sklop tijela ventila	099232
O-prsten	924137
Kučište ventila	093203
Udubljena pločica	093205

## Broj dijela

**099134 (otvor promjera 24 mm)**

Rezervni dijelovi	
Opis	Broj dijela
Korisnikov ključ za ventil	940046
Sklop tijela ventila	099334
O-prsten	924142
Kučište ventila	093402
Udubljena pločica	093403

## Alati (za 099132 i 099134)

Opis	Broj dijela
Ključ za ventil	940047

## Odgovornost

Proizvođač preporučuje uporabu proizvoda u skladu s navedenim uvjetima i za predviđene namjene. Proizvod mora biti održavan u skladu s uputama za uporabu isporučeni uz proizvod. Proizvođač nije odgovoran ni za kakve neželjene ishode uzrokovane kombiniranjem komponenti koje nije odobrio.

## CE sukladnost

Ovaj proizvod ispunjava zahtjeve Uredbe (EU) 2017/745 o medicinskim proizvodima. Ovaj proizvod razvrstan je kao proizvod klase rizika I prema kriterijima razvrstavanja navedenima u Dodatku VIII. Uredbe. Certifikat EU Izjava o sukladnosti dostupan je na sljedećoj internetskoj stranici: [www.blatchford.co.uk](http://www.blatchford.co.uk)



Medicinski proizvod



Jedan korisnik - višestruka uporaba

## Kompatibilnost

Kombiniranje s proizvodima marke Blatchford odobrava se na temelju ispitivanja u skladu s primjenjivim normama i Uredbom o medicinskim proizvodima (MDR) uključujući ispitivanje strukture, usklađenost dimenzija i nadziranu radnu učinkovitost.

Kombiniranje s alternativnim proizvodima s oznakom CE mora se provesti uz dokumentiranu lokalnu procjenu rizika od strane zdravstvenog djelatnika.

## Jamstvo

Na ovaj proizvod daje se jamstvo od 24 mjeseca.

Korisnik mora biti svjestan da promjene ili preinake koje nisu izričito dopuštene mogu poništiti jamstvo, odobrenja za rad i izuzeća.

Gore navedeno može se razlikovati prema tržištu, obratite se svom lokalnom predstavniku za detalje.

Pogledajte internetsku stranicu tvrtke Blatchford za uvid u cjelovitu važeću izjavu o jamstvu.

## Prijavlivanje ozbiljnih neželjenih događaja

U malo vjerojatnom slučaju pojave ozbiljnog neželjenog događaja vezanog uz ovaj proizvod, potrebno je isti prijaviti proizvođaču i nadležnom državnom tijelu.

## Ekološki aspekti

Ovaj proizvod proizveden je od materijala koji se mogu reciklirati. Gdje je izvedivo, komponente je potrebno reciklirati u skladu s lokalnim propisima o zbrinjavanju otpada.

## Čuvanje oznake pakiranja

Zdravstveni djelatnik treba sačuvati oznaku pakiranja kao evidenciju isporučenog proizvoda.

## Izjave o žigu

Registrirani žigovi tvrtke Blatchford Products Limited.

## Adresa sjedišta proizvođača

Blatchford Products Limited, Lister Road, Basingstoke RG22 4AH, UK.

Obsah .....	46
1 Opis a zamýšľaný účel .....	47
2 Informácie o bezpečnosti.....	48
3 Konštrukcia.....	49
4 Funkcia.....	50
5 Údržba.....	50
6 Obmedzenie používania .....	51
7 Odporúčania pri osádzaní.....	52
8 Návod na montáž.....	53
9 Technické údaje .....	54
10 Informácie pri objednávaní .....	55

# 1 Opis a zamýšľaný účel

Návod na použitie je určený odborníkovi a používateľovi, ak nie je uvedené inak.

V návode sa používa termín *pomôcka* a odkazuje na súpravu ventilu na transfemorálne podtlakové lôžko pre pevné lôžka.

Pozorne si prečítajte celý návod na použitie, predovšetkým všetky informácie o bezpečnosti, a návod na údržbu.

## Použitie

Pomôcka je navrhnutá výhradne ako súčasť transfemorálnej protézy dolnej končatiny.

Protetický ventil na vákuové lôžka z pevných termoplastových lôžkových materiálov.

Je vyrobená v súlade s odporúčeniami značky Blatchford pri výrobe lôžok.

Je určená len jednému používateľovi.

## Vlastnosti

- Udržiava vákuum v lôžku.
- Stlačenie stredového tlačidla umožní nasanie alebo vypudenie vzduchu a nastavenie úrovne vákua v lôžku.
- Uľahčuje nasadzovanie/sťahovanie vybratím stredového ventilu so závitmi.

## Úroveň aktivity

Pomôcka je vhodná pre úrovne aktivity 1 – 4; platia hmotnostné obmedzenia, pozri Technické údaje, 9. časť.

Samozrejme, existujú výnimky, a pri odporúčaní chceme zohľadniť individuálne okolnosti.

Rozhodovať sa treba na základe rozumného a dôkladného odôvodnenia.

### Úroveň aktivity 1

Má schopnosť alebo potenciál používať protézu na presun alebo chôdzu na rovnom povrchu pri fixnej kadencii. Typická pre chodca s obmedzením alebo bez obmedzenia.

### Úroveň aktivity 2

Má schopnosť alebo potenciál chôdze so schopnosťou prechádzať cez nízke prekážky v okolitom prostredí, ako sú obrubníky, schody alebo nerovný povrch. Typická pre komunitného chodca s obmedzením.

### Úroveň aktivity 3

Má schopnosť a potenciál chôdze s rozličnou kadenciou.

Typická pre komunitného chodca so schopnosťou prechádzať cez väčšinu prekážok v okolitom prostredí, ktorý môže vykonávať pracovnú, terapeutickú alebo cvičebnú aktivitu vyžadujúci si používanie protézy mimo jednoduchého pohybu.

### Úroveň aktivity 4

Má schopnosť alebo potenciál protetickej chôdze, ktorá prekračuje základné ambulantné zručnosti, má veľkú mieru dopadu, tlaku alebo energie. Typická pre protetické nároky detí, aktívnych dospelých alebo atlétov.

## Kontraindikácie

- Pomôcka nie je vhodná pre materiály na pružné lôžka.
- Používatelia musia mať dostatočnú rovnováhu, obratnosť a kognitívne funkcie, aby vedeli pomôcku používať počas nasádzania/skladania a chápali, ako sa obsluhuje.
- Nasadzovanie, obsluha a čistenie pomôcky môže byť pre používateľov so slabou motorikou rúk alebo kognitívnymi funkciami náročné.
- Nedostatočná hygiena
- Pomôcka by sa nemala používať s lôžkami, ktoré nie sú v úplnom kontakte.

## Klinické výhody

- Jednosmerným systémom vypudzuje prebytočný vzduch z protického lôžka, vďaka čomu lôžko lepšie sadne.
- Umožňuje ručné vypudenie/nasatie vzduchu pri rozličných činnostiach a požiadavkách.

---

## 2 Informácie o bezpečnosti



**Tento výstražný symbol poukazuje na dôležité bezpečnostné informácie, ktoré treba dôsledne dodržiavať.**



Všetky zmeny vo vlastnostiach alebo fungovaní pomôcky, napr. obmedzený pohyb, drhnutie pri pohybe, nezvyčajné zvuky či stratu vákua, treba ihneď nahlásiť servisnému pracovníkovi.



Pri kráčaní dolu schodmi a vždy, keď je k dispozícii, sa držte zábradlia.



Vyhnite sa vystavovaniu extrémnemu teplu a/alebo chladu.



Pomôcka nie je vhodná na extrémne športy, beh ani cyklistické závody, ľadové ani snehové športy, extrémne svahy ani schody. Absolvovanie takýchto aktivít je výhradne na riziko používateľa. Rekreačná cyklistika je povolená.



Dávajte pozor na riziko zachytenia prstov.



Skladanie, údržbu a opravu pomôcky sme vykonávať len primerane kvalifikovaný klinický pracovník.



Používateľ nesmie nastavovať ani neodborne upravovať nastavenie pomôcky.



Používateľa treba upozorniť, že v prípade zmeny zdravotného stavu sa má obrátiť odborníka.



Pri šoférovaní dbajte na to, aby sa používali len vhodne upravené vozidlá. Pri riadení motorového vozidla sa od každého očakáva dodržiavanie príslušných zákonov o cestnej premávke.



Pomôcka je určená na dlhodobé ponáranie a je vhodná len na ponáranie v sladkej vode. Dbajte na to, aby bolo použitie pomôcky vo vode v súlade s podmienkami uvedenými v časti *Obmedzenie používania*.

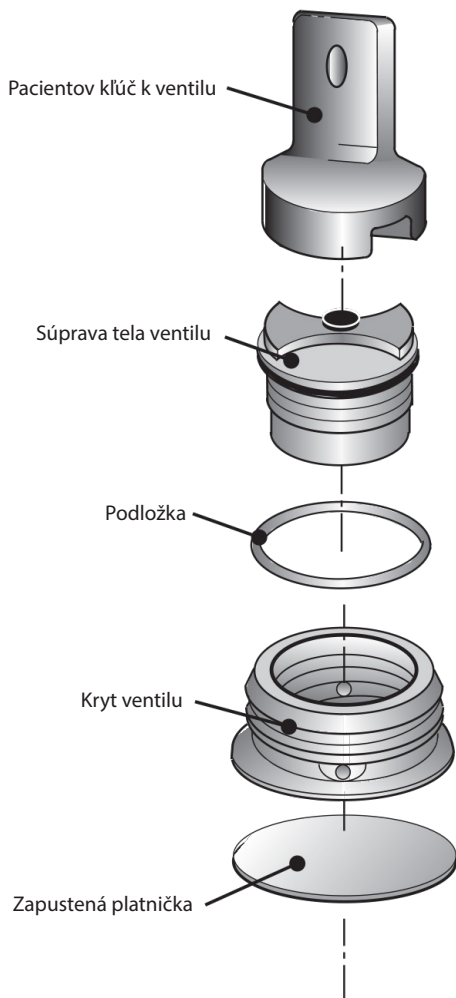


## 3 Konštrukcia

### Hlavné diely (099132)

- Zapustená platnička Chloroprénová guma
- Kryt ventilu Nylon
- Podložka Silikón
- Súprava tela ventilu Acetalhomopolymér
- Pacientov kľúč k ventilu Acetalhomopolymér alebo nylon

### Identifikácia dielu



---

## 4 Funkcia

Pomôcka pomáha v protetickom lôžku uchovávať vákuum. Stredové tlačidlo umožňuje ručné nastavenie vákuu a vypudzovania vzduchu. Umožňuje nasadzovanie (natiahnutie) protetických lôžok vybratím stredového ventilu.

---

## 5 Údržba

Pomôcku pravidelne kontrolujte zrakom.

Všetky zmeny vo vlastnostiach pomôcky nahláste odborníkovi/ servisnému pracovníkovi.

Medzi zmeny vo vlastnostiach patrí:

- narušenie vákuu;
- nezvyčajné zvuky;
- neexistujúce ovládanie/spoj alebo ich strata;
- chradnutie/zmeny na kýpti;
- poškodenie tkaniva na kýpti;
- zmeny vo fungovaní pomôcky.

Informujte odborníka/servisného pracovníka o zmene v telesnej hmotnosti a/alebo úrovni aktivity.

### Čistenie pomôcky

Pomôcka je súčasťou protetického lôžka a v rámci prevencie množenia baktérií by sa mala čistiť každý deň. Pri manipulácii s lôžkom a pomôckou si dávajte pozor, aby sa v nej nehromadil prach a iné nečistoty, ktoré by mohli dráždiť kožu. Vonkajší povrch utrite handričkou navlhčenou vo vode s jemným čistiacim prostriedkom, nepoužívajte agresívne čistiace prostriedky.

Pred použitím ju poriadne vysušte.

### Čistenie kýptá

1. Pred a po použití protézy alebo aspoň raz denne skontrolujte kýpeť. Zmenu stavu kýptá k horšiemu treba nahlásiť odborníkovi. Ak je na kýpti poškodené tkanivo, poraďte sa s odborníkom.
2. Každý deň umývajte kožu neparfumovaným mydlom s vyváženým pH a na odstránenie všetkých zvyškov ju oplachujte čistou vodou.
3. Vysušte kýpeť.
4. Na suchú kožu naneste telové mlieko podľa odporúčaní lekára.
5. Dbajte na to, aby bola poškodená koža alebo otvorená rana riadne a vhodne prekrytá a predišlo sa priamemu kontaktu s pomôckou.

### **Zvyšné pokyny v tejto časti sú len pre odborníka.**

Údržbu smie zabezpečovať len kompetentný personál (odborník alebo vhodne zaškolený technik).

Najmenej raz ročne je potrebné absolvovať nasledujúcu rutinnú údržbu.

- Pravidelne kontrolujte podložku.
- Skontrolujte, či pomôcka riadne funguje. Ak nie, vyhľadajte chybu podľa Odporúčania pri osádzaní.

---

## 6 Obmedzenie používania

### **Zamýšľaná životnosť**

Na základe aktivity a používania treba posúdiť lokálne riziko.

### **Zdvíhanie bremien**

Hmotnosť a aktivita používateľa sa riadi stanovenými limitmi.

Nosenie bremien používateľom by malo vychádzať z posúdenia lokálnych rizík.

### **Prostredie**

Pomôcku nevystavujte korozívnym látkam ako sú kyseliny, priemyselné čistiace prostriedky, bielidlá ani chlór.

Pri používaní krémov alebo telových mliek spolu s pomôckou si treba dávať pozor, pretože môžu zaniest ventil.

Produkt je vodotesný do maximálnej hĺbky 1 metra. Po používaní v abrazívnom prostredí, ako je napríklad prostredie s možným obsahom piesku alebo kamienkov, pomôcku dôkladne opláchnite vodou, aby sa predišlo jej opotrebovaniu alebo poškodeniu. Po použití v slanej alebo chlóranej vode pomôcku dôkladne opláchnite vodou.

Používajte výhradne pri teplotách od -15 °C do 50 °C



Možno ponárať

## 7 Odporúčania pri osádzaní

*Pokyny v tejto časti sú len pre odborníkov.*

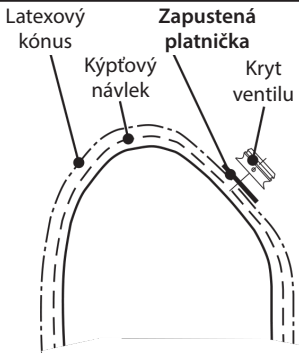
Príznak	Riešenie
Pomôcka neudrží vákuum	<ol style="list-style-type: none"><li>1. Skontrolujte, či je telo ventilu bezpečne vložené v protetickom lôžku.</li><li>2. Skontrolujte, či je kryt ventilu správne osadený v priehlbine.</li><li>3. Skontrolujte, či je podložka správne umiestnená mimo tela ventilu.</li><li>4. Rozoberte a vyčistite ventil.</li></ol>

Na konečnej verzii lôžka zohľadnite umiestnenie ventilu tak, aby vyhovovalo konkrétnym požiadavkám používateľa. Väčšia používateľov uprednostňuje ventil v distálno-mediálnej polohe a mierne vzadu zarovno s adductor longus.

## 8 Návod na montáž

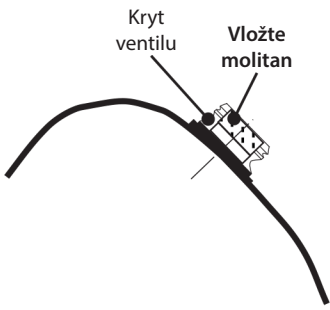
Pokyny v tejto časti sú len pre odborníkov.

**1**



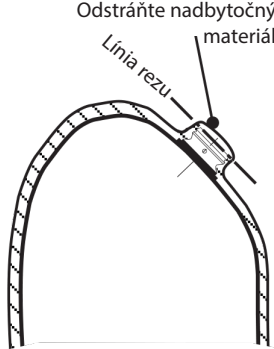
1. Na mieste, kde sa bude osádzať ventil, spoštíte sadrovú formu.
2. Na formu navlečte kýptový návlek a nasadte latexový kónus.
3. Lokalizujte zapustenú platničku a prichyťte ju na miesto obojstrannou lepiacou páskou.

**2**

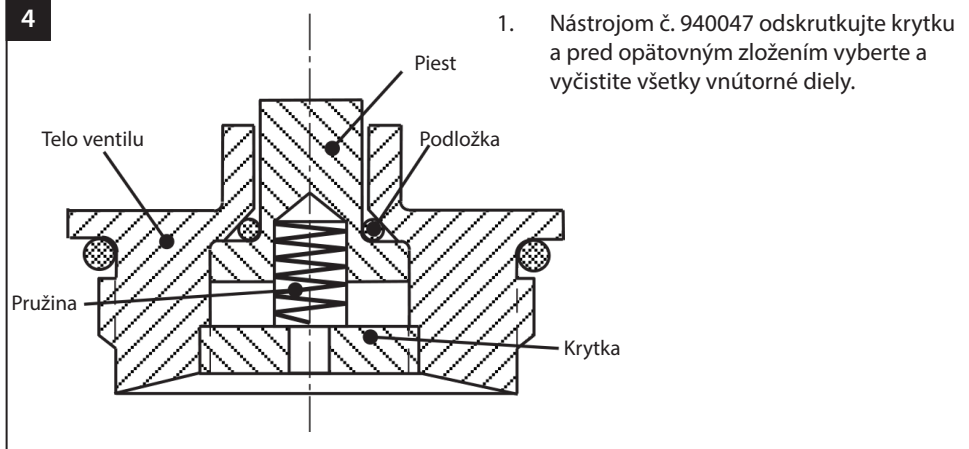


1. Vytvorte vákuum, aby návlek a kónus prilnuli k forme, potom obojstrannou páskou pripevnite kryt ventilu na požadované miesto.
2. Do krytu ventilu vložte molitan, pričom dávajte pozor, aby ste nezakryli 4 prieduchové otvory.
3. Prepichnete latex zvnútra a zvonku krytu ventilu.
4. Podložku treba pozorne rozťahnuť (nie zrolovať) v drážke na kryte.

**3**



1. Nariaste lôžko, ak je to potrebné, uberte, aby sa dalo vyrobiť vonkajšie lôžko. Materiál pod telom ventilu zaviažte, čím vznikne riadne utesnenie medzi telom a lôžkom.
2. V strede krytu ventilu vyvrtajte 6 mm dierku, zasuňte do nej vzduchovú hadičku a stiahnite lôžko z formy.
3. Z krytu ventilu podľa pokynov odstráňte nadbytočný materiál (zarovnajte ho s krytom) a vyťahnite molitanovú zátku. Priskrutkujte súpravu tela ventilu.
4. Skontrolujte, či má pacient kľúč k ventilu.



## 9 Technické údaje

Diel č.	099132 (otvor s priem. 19 mm) 099134 (otvor s priem. 24 mm)
Rozsah prevádzkovej a skladovacej teploty:	-15 °C až 50 °C
Hmotnosť dielov:	27 g
Úroveň aktivity	1 – 4

## 10 Informácie pri objednávaní

### Číslo dielu

099132 (otvor s priem. 19 mm)

Náhradné diely	
Opis	Číslo dielu
Pacientov kľúč k ventilu	940046
Súprava tela ventilu	099232
Podložka	924137
Kryt ventilu	093203
Zapustená platnička	093205

### Číslo dielu

099133 (otvor s priem. 24 mm)

Náhradné diely	
Opis	Číslo dielu
Pacientov kľúč k ventilu	940046
Súprava tela ventilu	099334
Podložka	924142
Kryt ventilu	093402
Zapustená platnička	093403

### Nástroje (pre 099132 aj 099134)

Opis	Číslo dielu
Ventilový kľúč	940047

## Ručenie

Výrobca odporúča používať pomôcku výhradne podľa špecifikovaných podmienok a na to, na čo je určená. Pomôcka sa musí udržiavať podľa priloženého návodu na použitie. Výrobca nezodpovedá za nežiaduci výsledok spôsobený kombináciou ním neschválených komponentov.

## Súlad s CE

Tento produkt spĺňa požiadavky nariadenia EÚ 2017/745 o zdravotníckych pomôckach. Produkt je klasifikovaný ako produkt triedy I podľa klasifikačných pravidiel v Dodatku VIII nariadenia.

Certifikát o vyhlásení o zhode CE je k dispozícii na nasledujúcej internetovej adrese:

[www.blatchford.co.uk](http://www.blatchford.co.uk)



Zdravotnícka  
pomôcka



Jeden pacient –  
viacnásobné použitie

## Kompatibilitnosť

Kombinovanie s produktmi značky Blatchford je schválené na základe testovania v súlade s príslušnými normami a MDR vrátane štruktúrálnej skúšky, rozmerovej kompatibility a vlastností v monitorovanej oblasti.

Kombinovanie s alternatívnymi produktmi so značkou CE treba vykonávať s ohľadom na zdokumentované posúdenie lokálnych rizík odborníkom.

## Záruka

Na pomôcku sa vzťahuje 24-mesačná záruka.

Používateľ by mal vedieť, že zmeny alebo úpravy bez jeho výhradného súhlasu by mohli ukončiť platnosť záruky, prevádzkových licencií a výnimiek.

Vyššie uvedené závisí od trhu, podrobnosti vám poskytne miestny zástupca.

Celé vyhlásenie o záruke nájdete na webovej stránke spoločnosti Blatchford.

## Nahlasovanie závažných incidentov

V nepravdepodobnom prípade závažného incidentu v súvislosti s pomôckou ho treba nahlásiť výrobcovi a kompetentnému štátnemu úradu.

## Environmentálne aspekty

Pomôcka je vyrobená z recyklovateľných materiálov. Tam, kde je to možné, by sa jednotlivé diely mali recyklovať v súlade s miestnymi nariadeniami o nakladaní s odpadom.

## Odloženie štítka na balení

Odborníkovi odporúčame odložiť si štítok z balenia ako záznam o dodanej pomôčke.

## Potvrdenie o obchodnej známke

Registrované obchodné známky spoločnosti Blatchford Products Limited.

## Sídlo výrobcu

Blatchford Products Limited, Lister Road, Basingstoke RG22 4AH, Spojené kráľovstvo.



Tartalom.....	57
1 Leírás és tervezett felhasználás .....	58
2 Biztonsági információk.....	59
3 Felépítés .....	60
4 Működés.....	61
5 Karbantartás.....	61
6 A használatot érintő korlátozások.....	62
7 Az illesztésre vonatkozó tanácsok.....	63
8 Összeszerelési utasítások.....	64
9 Műszaki adatok .....	65
10 Rendelési információk.....	66

# 1 Leírás és tervezett felhasználás

Ez a Használati útmutató az orvos és a felhasználó használatára szolgál, kivéve, ha máshogy jelezzük.

A jelen Használati útmutatóban az *eszköz* kifejezés a merev tokokhoz való transzfemorális szívó tokszelepkészletre utal.

Kérjük, olvassa el, és győződjön meg arról, hogy megértette a teljes használati útmutatót, különösen az összes biztonsági információt és karbantartási utasítást.

## Alkalmazás

Az eszköz kizárólag transzfemorális alsó végtagprotézis részeként való alkalmazásra készült. Szívó tokokban való alkalmazásra szolgáló protézisszelep merev, hőre lágyuló műanyagból.

A Blatchford tokgyártási ajánlások szerint készült.

Egyetlen felhasználónál való használatra szolgál.

## Jellemzők

- Fenntartja a vákuumot a tokban.
- A központi gomb lenyomásával a levegő manuálisan áramoltatható be vagy ki, ezzel a tokban a vákuum szintje állítható.
- A központi menetes szelep eltávolításával elősegíti a fel- és levételt.

## Aktivítási szint

Ez az eszköz megfelel az 1–4. aktivitási szintnek; testsúlykorlátozás érvényes, lásd 9. fejezet, Műszaki adatok.

Természetesen vannak kivételek, és ajánlásainkban lehetőséget kívánunk adni az egyedi, egyéni körülményeknek, és minden ilyen döntést józan és alapos indoklással kell meghozni.

### 1. aktivitási szint

Képesség vagy lehetőség a protézis alkalmazására sík felületeken állandó ütemben való átkelésre vagy járásra. Jellemző a korlátozott vagy nem korlátozott járóbetegre.

### 2. aktivitási szint

Képesség vagy lehetőség járásra, alacsony magasságú környezeti akadályokon, például útpadkán, lépcsőn vagy egyenetlen felületeken való áthaladásra. Jellemző a korlátozott, közösségben mozgó járóbetegre.

### 3. aktivitási szint

Képesség vagy lehetőség változó ütemű járásra.

Jellemző a közösségben mozgó járóbetegre, aki képes áthaladni a legtöbb környezeti akadályon, és olyan foglalkozásbeli, terápiás vagy sporttevékenységet űz, amely az egyszerű helyváltoztatáson túl igényli a protézis használatát.

### 4. aktivitási szint

Képesség vagy lehetőség protézissel végzett olyan járásra, amely túllép az alapvető járási képességeken, erős behatást, nagy terhelést vagy energiaszintet mutat. A gyermekek, az aktív felnőttek vagy a sportolók protetikus igényeire jellemző.

## Ellenjavallatok

- Ez az eszköz nem alkalmas rugalmas anyagú tokkal való használatra.
- A felhasználónak kielégítő egyensúllyal, kézügyességgel és kognitív funkcióval kell rendelkeznie ahhoz, hogy az eszközt fel- és levétel során használhassa, és megértse az eszköz működését.
- Előfordulhat, hogy a gyenge kéz- vagy kognitív funkciójú felhasználók nehéznek találják az eszköz felvételét, működtetését és tisztítását.
- Elégtelen higiénia
- Ez az eszköz nem használható olyan tokokkal, amelyek nem érintkeznek teljesen.

## Klinikai előnyök

- A tok szoros illeszkedése érdekében lehetővé teszi a felesleges levegő kiáramoltatását a protézis tokjából egy egyutas rendszeren keresztül.
- A különböző tevékenységekhez és igényekhez lehetővé teszi a levegő manuális ki- és beáramoltatását.

## 2 Biztonsági információk



**Ez a figyelmeztető szimbólum kiemeli a fontos biztonsági információkat, amelyeket gondosan követni kell.**



A térd teljesítményében vagy működésében jelentkező bármilyen változást, például korlátozott mozgást, nem sima mozgást, szokatlan zajt vagy a vákuum megszűnését haladéktalanul jelenteni kell a szolgáltatónak.



Lépcsőn lefelé menet és bármikor, amikor rendelkezésre áll, használjon korlátot.



Ne tegye ki szélsőséges melegnek és/vagy hidegnek.



Az eszköz nem alkalmas extrém sportokra, futásra vagy kerékpárversenyre, jégen és havon végzett sportokra, extrém lejtőkre és lépcsőkre. Bármilyen hasonló tevékenységet teljes mértékben a felhasználó saját kockázatára végez. A rekreációs kerékpározás elfogadható.



Mindig ügyeljen az ujj becsípődésének veszélyére.



Az eszköz összeszerelését, karbantartását és javítását kizárólag megfelelően képzett orvos végezheti.



A felhasználónak tilos módosítania vagy manipulálnia az eszköz beállításait.



Javasoljuk, hogy a felhasználó forduljon az orvoshoz, ha állapota változik.



Ügyeljen arra, hogy vezetéskor csak megfelelően átalakított járművet használjon. Gépjárművek működtetése során minden személynek be kell tartania a vonatkozó vezetési jogszabályokat.



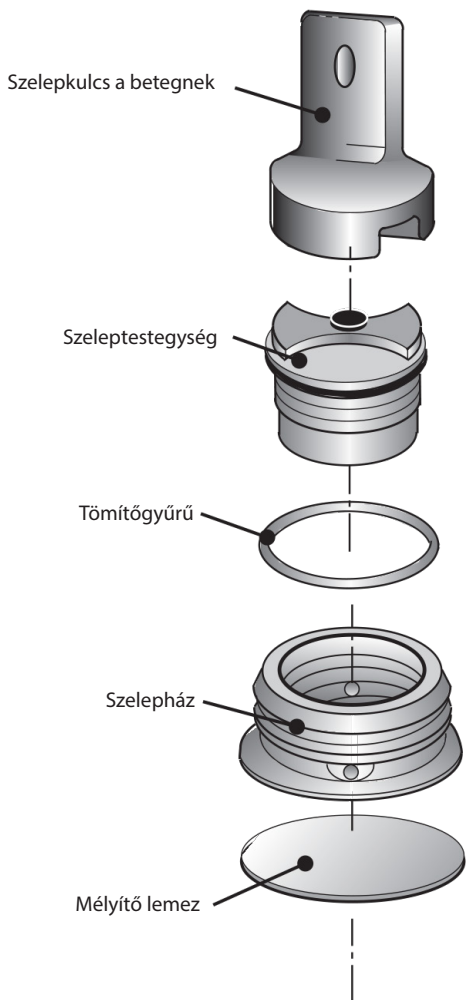
Az eszköz hosszan tartó vízbe merítésre készült, és csak édesvízbe merítésre alkalmas. Ügyeljen arra, hogy az eszköz használata vízben megfeleljen az *A használatot érintő korlátozások* szakaszban megadott feltételeknek.

## 3 Felépítés

### Fő alkatrészek (099132)

- Mélyítő lemez Kloroprén gumi
- Szelepház Nejlron
- Tömítőgyűrű Szilikon
- Szeleptest egység Acetál homopolimer
- Szelepkulcs a betegnek Acetál homopolimer vagy nejlron

### Az alkatrészek azonosítása



---

## 4 Működés

Az eszköz segítségével fenntartható a vákuum a protézistokban. Az eszköz lehetővé teszi a vákuum manuális beállítását és a levegő manuális kiengedését a központi gombon keresztül. Az eszköz lehetővé teszi a protézistok felvételét (felhúzását) a központi szelep eltávolításán keresztül.

---

## 5 Karbantartás

Szemrevételezéssel rendszeresen ellenőrizze az eszközt.

Számoljon be az orvosnak/szolgáltatónak az eszköz teljesítményének bármilyen változásáról.

A teljesítmény megváltozásába tartozhat például:

- Vákuumvesztés
- Szokatlan zajok
- A vezérlés/csatlakozás hiánya vagy megszűnése
- A megmaradt végtag állapotának romlása/változása
- Szövetkárosodás a megmaradt végtagon
- Az eszköz teljesítményének megváltozása

Tájékoztassa az orvost/szolgáltatót testsúlya és/vagy aktivitási szintje bármilyen változásáról.

### **Az eszköz tisztítása**

Az eszköz protézistokba van építve, amit naponta tisztítani kell a baktériumok felhalmozódásának megelőzése érdekében. A tok és az eszköz használatakor ügyeljen arra, hogy ne kerüljön por, homokszem és egyéb szennyeződés az eszközre, mert ezek bőrirritációt okozhatnak. Nedves ruhával és enyhe szappanos vízzel tisztítsa meg a külső felületeket. Ne használjon agresszív tisztítószeret.

Használat előtt alaposan szárítsa meg.

### **A megmaradt végtag tisztítása**

1. Vizsgálja meg a megmaradt végtagot a protézistok használata előtt és után, vagy legalább naponta. A megmaradt végtag állapotának bármilyen romlását jelteni kell az orvos számára. Ha a megmaradt végtagon szövetkárosodás lép fel, forduljon orvosához tanácsért.
2. Nem illatosított, kiegyensúlyozott pH-értékű szappannal naponta tisztítsa meg a bőrt, öblítse le tiszta vízzel, és mosson le minden maradékot.
3. Szárítsa meg a megmaradt végtagot.
4. Kenjen testápolót a száraz bőrre, az orvos ajánlása szerint.
5. Győződjön meg arról, hogy az eszközzel történő közvetlen érintkezés megelőzése érdekében megfelelően és szakszerűen bekötözték az esetleges bőrsérüléseket vagy nyílt sebeket.

**A további utasítások ebben a szakaszban kizárólag az orvos használatára szolgálnak.**

A karbantartást kizárólag hozzáértő személy végezheti (orvos vagy megfelelően képzett technikus).

A következő rutin karbantartást legalább évente el kell végezni.

- Rendszeresen vizsgálja meg a tömítőgyűrűt
- Ellenőrizze, hogy az eszköz megfelelően működik. Ellenkező esetben a hibakeresést lásd: *Az illesztésre vonatkozó tanácsok.*

---

## 6 A használatot érintő korlátozások

### A tervezett élet

Helyi kockázatértékelést kell elvégezni az aktivitás és a felhasználás alapján.

### Súlyok emelése

A felhasználó súlyát és aktivitását a megállapított határértékek szabályozzák.

A felhasználó által vitt súlyt a helyi kockázatértékelés alapján kell meghatározni.

### Környezet

Ne tegye ki az eszközt korrozív anyagoknak, például savaknak, ipari tisztítószereknek, fehérítőnek vagy klórnak.

Körültekintően járjon el a krémek vagy testápolók használatakor, mivel azok beszenyezhetik a szelepet.

A termék legfeljebb 1 méter mélységig vízálló. Az eszköz kopásának vagy sérülésének megelőzése érdekében alaposan öblítse át friss vízzel, ha dörzshatású – például homokos vagy poros – környezetben használta. Sós vagy klóros vízben való használatot követően alaposan öblítse el friss vízben.

Kizárólag -15 °C és 50 °C közötti használatra.



Vízbe merítésre alkalmas

## 7 Az illesztésre vonatkozó tanácsok

*Az ebben a szakaszban található utasítások kizárólag az orvos használatára szolgálnak.*

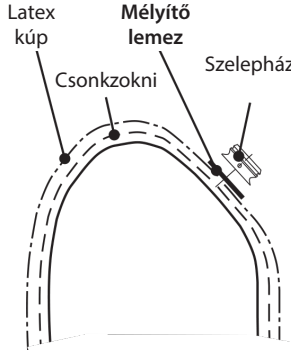
Tünet	Megoldás
Az eszköz nem képes megőrizni a vákuumot.	<ol style="list-style-type: none"><li>1. Ellenőrizze, hogy a szeleptest biztonságosan helyezkedik-e el a protézistokban.</li><li>2. Ellenőrizze, hogy a szelepház megfelelően ül-e a vátban.</li><li>3. Ellenőrizze, hogy a tömítőgyűrű megfelelően helyezkedik-e el a szeleptesten kívül.</li><li>4. Szerelje le és tisztítsa meg a szelepet.</li></ol>

Vegye figyelembe a szelep elhelyezkedését a végleges tokban, hogy megfeleljen az adott felhasználó egyedi igényeinek. A legtöbb felhasználó azt kedveli, ha a szelep diszto-mediálisan és kissé előre helyezkedik el, egy vonalban a hosszú combközéltő izommal (adductor longus).

## 8 Összeszerelési utasítások

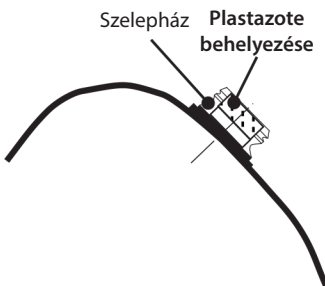
Az ebben a szakaszban található utasítások kizárólag az orvos használatára szolgálnak.

**1**



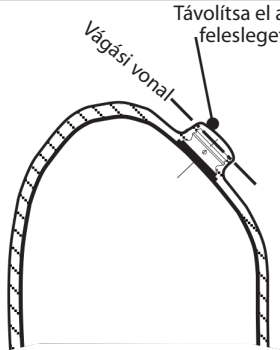
1. Simítsa laposra a gipszintát ott, ahova a szelepet kell helyezni,
2. Helyezzen csonkzoknit és latex kúpot a gipszintára.
3. Helyezze el a mélyítő lemezt, és kétoldalú ragasztóval rögzítse a helyén.

**2**



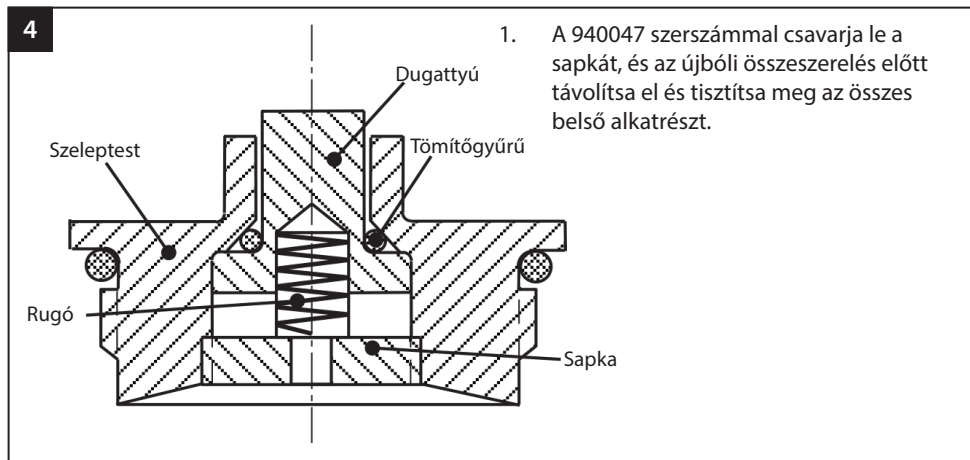
1. Alkalmazzon vákuumot először, hogy a zokni és a kúp a gipszintához formálódjon, majd kétoldalú ragasztóval helyezze a szelepházat a kívánt helyzetbe.
2. Helyezzen Plastazote habot a szelepházra, ügyelve arra, hogy ne zárja el a 4 kiengedő lyukat.
3. Szűrje át a latexet, belül és kívül a szelepházon.
4. A tömítőgyűrűt óvatosan megnyújtva a házon lévő horonyra kell húzni (nem görgetni).

**3**



1. Takarja le a tokot, ha szükséges, építse le, hogy a külső tok elkészíthető legyen. Kösse le a szeleptest körül, hogy jó legyen a tömítés a szeleptest és a tok között.
2. Fúrjon 6 mm-es lyukat a szelepház közepébe, vezesse be a levegővezeték, és vegye ki a tokot a gipszintából.
3. A jelzés szerint távolítsa el a felesleges anyagot a szelepházról (egy vonalban a házzal), és vegye ki a Plastazone dugót. Csavarozza össze a szeleptestegységgel.
4. Gondoskodjon arról, hogy a beteg kapjon szelepkulcsot.





## 9 Műszaki adatok

Alkatrészszám

099132 (19 mm átmérőjű nyílás)

099134 (24 mm átmérőjű nyílás)

Üzemi és tárolási hőmérséklet-tartomány:

-15 °C–50 °C

Az alkatrész súlya:

27 g

Aktivítási szint:

1–4

# 10 Rendelési információk

## Alkatrészszám

**099132 (19 mm átmérőjű nyílás)**

Alkatrészek	
Leírás	Alkatrészszám
Szelepkulcs a betegnek	940046
Szeleptest egység	099232
Tömítőgyűrű	924137
Szelepház	093203
Mélyítő lemez	093205

## Alkatrészszám

**099134 (24 mm átmérőjű nyílás)**

Alkatrészek	
Leírás	Alkatrészszám
Szelepkulcs a betegnek	940046
Szeleptest egység	099334
Tömítőgyűrű	924142
Szelepház	093402
Mélyítő lemez	093403

**Szerszámok (a 099132 és a 099134 eszközhöz)**

Leírás	Alkatrészszám
Szelepkulcs	940047

## Felelősség

A gyártó azt javasolja, hogy az eszközt csak a megadott körülmények között és a tervezett célokra használják. Az eszköz karbantartását az ahhoz mellékelt használati útmutató szerint kell végezni. A gyártó nem felel semmilyen olyan nemkívánatos kimenetelért, amelyet általa jóvá nem hagyott alkatrész-kombináció okoz.

## CE-megfelelőség

Ez a termék megfelel az orvostechikai eszközökre vonatkozó 2017/745 európai uniós rendelet követelményeinek. Ezt a terméket 1. osztályú terméként sorolták be a rendelet VIII. mellékletében meghatározott osztályozási szabályok szerint. Az európai uniós megfelelőségi nyilatkozat a következő internetes oldalon érhető el: [www.blatchford.co.uk](http://www.blatchford.co.uk)



Orvostechikai eszköz



Egy beteg – többszöri felhasználás

## Összeférhetőség

A Blatchford márkájú termékekkel való összeállítás a vonatkozó szabványok és az orvostechikai eszközökre vonatkozó rendelet (MDR) szerint végzett tesztelés alapján engedélyezett, ideértve a szerkezeti vizsgálatot, a méretek összeférhetőségét és az ellenőrzött helyszíni teljesítményt.

Más, CE-jelzéssel ellátott termékekkel való összeállítást orvos által végzett, dokumentált helyi kockázatértékelésre figyelemmel kell elvégezni.

## Jótállás

Az eszközre 24 hónapos jótállás vonatkozik.

A felhasználónak tisztában kell lennie azzal, hogy a kifejezetten jóvá nem hagyott változtatások vagy módosítások érvényteleníthetik a jótállást, a működési engedélyeket és mentességeket.

A fentiek piaconként változhatnak. A részletekkel kapcsolatban forduljon a helyi képviselőhöz.

A teljes jótállási nyilatkozatot lásd a Blatchford weboldalán.

## A súlyos incidensek jelentése

Abban a valószínűtlen esetben, ha súlyos incidens történne az eszközzel kapcsolatban, azt jelenteni kell a gyártónak és az illetékes nemzeti hatóságnak.

## Környezetvédelmi szempontok

Ez a termék újrahasznosítható anyagokból készült. Hacsak lehetséges, az alkatrészeket a helyi hulladékkezelési szabályozások szerint újra kell hasznosítani.

## A csomagolás címkéjének megőrzése

Javasoljuk, hogy az orvos őrizze meg a csomagolás címkéjét a biztosított eszköz dokumentálásaként.

## Védjegyre vonatkozó elismervények

A Blatchford Products Limited bejegyzett védjegyei.

## A gyártó székhelye

Blatchford Products Limited, Lister Road, Basingstoke RG22 4AH, Egyesült Királyság

Περιεχόμενα.....	68
1 Περιγραφή και σκοπός για τον οποίο προορίζεται .....	69
2 Πληροφορίες για την ασφάλεια .....	70
3 Κατασκευή.....	71
4 Λειτουργία .....	72
5 Συντήρηση.....	72
6 Περιορισμοί για τη χρήση.....	73
7 Οδηγίες προσαρμογής.....	74
8 Οδηγίες συναρμολόγησης.....	75
9 Τεχνικά στοιχεία.....	76
10 Πληροφορίες παραγγελίας.....	77

# 1 Περιγραφή και σκοπός για τον οποίο προορίζεται

Αυτές οι οδηγίες χρήσης προορίζονται για χρήση από τον ιατρό και τον χρήστη, εκτός αν αναφέρεται κάτι διαφορετικό.

Ο όρος *συσκευή* όπως χρησιμοποιείται σε αυτές τις οδηγίες χρήσης αναφέρεται στο κιτ βαλβίδας διαμηριαίας θήκης αναρρόφησης για άκαμπτες θήκες.

Διαβάστε και βεβαιωθείτε ότι κατανοήσατε όλες τις οδηγίες χρήσης, ιδιαίτερα όλες τις πληροφορίες για την ασφάλεια και τις οδηγίες συντήρησης.

## Εφαρμογή

Η συσκευή έχει σχεδιαστεί για να χρησιμοποιείται αποκλειστικά ως μέρος μιας διαμηριαίας πρόθεσης κάτω άκρου.

Μια προσθετική βαλβίδα για χρήση σε θήκες αναρρόφησης κατασκευασμένη από άκαμπτα θερμοπλαστικά υλικά θήκης.

Κατασκευάζεται σύμφωνα με τις συστάσεις κατασκευής θηκών της Blatchford.

Προορίζεται για έναν μόνο χρήστη.

## Χαρακτηριστικά

- Διατηρεί την αρνητική πίεση εντός της θήκης.
- Η πίεση του κεντρικού κουμπιού επιτρέπει τη χειροκίνητη είσοδο ή αποβολή του αέρα, ρυθμίζοντας το επίπεδο αρνητικής πίεσης εντός της θήκης.
- Διευκολύνει την προσάρτηση/αφαίρεση, καταργώντας την ανάγκη για κεντρική βαλβίδα με σπείρωμα.

## Επίπεδο σωματικής δραστηριότητας

Αυτή η συσκευή είναι κατάλληλη για τα επίπεδα δραστηριότητας 1 έως 4. Ισχύουν όρια βάρους, βλ. Τεχνικά στοιχεία, ενότητα 9. Ασφαλώς υπάρχουν εξαιρέσεις και στη σύστασή μας θέλουμε να υπάρχει πρόβλεψη για μοναδικές, ατομικές περιστάσεις και οποιαδήποτε τέτοια απόφαση θα πρέπει να λαμβάνεται με βάσιμη και διεξοδική αιτιολόγηση.

### Επίπεδο σωματικής δραστηριότητας 1

Ο χρήστης έχει την ικανότητα ή τη δυνατότητα να χρησιμοποιεί πρόθεση για μετακινήσεις ή βάδιση σε επίπεδες επιφάνειες, με σταθερό ρυθμό. Αυτό είναι χαρακτηριστικό του περιορισμένου και μη περιορισμένου περιπατητή.

### Επίπεδο σωματικής δραστηριότητας 2

Ο χρήστης έχει την ικανότητα ή τη δυνατότητα για βάδιση και μπορεί να διαβαίνει περιβαλλοντικά εμπόδια χαμηλού επιπέδου, όπως πεζοδρόμια, σκαλιά ή ανώμαλες επιφάνειες. Αυτό είναι χαρακτηριστικό του περιορισμένου περιπατητή που βγαίνει στην κοινωνία.

### Επίπεδο σωματικής δραστηριότητας 3

Ο ασθενής έχει την ικανότητα ή τη δυνατότητα για βάδιση με μεταβλητό ρυθμό.

Αυτό είναι χαρακτηριστικό του περιπατητή που βγαίνει στην κοινωνία, ο οποίος έχει την ικανότητα να διαβαίνει τα περισσότερα περιβαλλοντικά εμπόδια και μπορεί να διεξάγει επαγγελματική, θεραπευτική ή αθλητική δραστηριότητα που απαιτεί προσθετική χρήση πέρα από την απλή μετακίνηση.

### Επίπεδο σωματικής δραστηριότητας 4

Ο ασθενής έχει την ικανότητα ή τη δυνατότητα για προσθετική βάδιση που υπερβαίνει τη βασική ικανότητα βάδισης, επιδεικνύοντας υψηλά επίπεδα πρόσκρουσης, καταπόνησης ή ενέργειας. Αυτό είναι χαρακτηριστικό των προσθετικών απαιτήσεων ενός παιδιού, δραστήριου ενήλικα ή αθλητή.

## Αντενδείξεις

- Η συσκευή αυτή δεν είναι κατάλληλη για χρήση με εύκαμπτα υλικά θήκης.
- Οι χρήστες πρέπει να έχουν επαρκή ισορροπία, επιδεξιότητα και γνωστική λειτουργία για να χρησιμοποιούν τη συσκευή κατά τη διάρκεια της προσάρτησης/αφαίρεσης και να κατανοούν τον τρόπο λειτουργίας της συσκευής.
- Όσοι χρήστες έχουν ανεπαρκή λειτουργία των χεριών ή ανεπαρκή γνωστική λειτουργία μπορεί να δυσκολεύονται στην προσάρτηση, τη λειτουργία και τον καθαρισμό της συσκευής.
- Κακή υγιεινή
- Η συσκευή αυτή δεν πρέπει να χρησιμοποιείται σε θήκες που δεν είναι πλήρους επαφής.

## Κλινικά οφέλη

- Επιτρέπει την αποβολή του επιπλέον αέρα από την προσθετική θήκη μέσω ενός συστήματος μίας κατεύθυνσης, για στενή προσαρμογή της θήκης.
- Επιτρέπει τη χειροκίνητη διαχείριση της αποβολή/εισόδου του αέρα για διαφορετικές δραστηριότητες και απαιτήσεις.

## 2 Πληροφορίες για την ασφάλεια



**Αυτό το προειδοποιητικό σύμβολο επισημαίνει σημαντικές πληροφορίες για την ασφάλεια, οι οποίες πρέπει να ακολουθούνται προσεκτικά.**



Τυχόν αλλαγές στην απόδοση ή τη λειτουργία της συσκευής, π.χ. περιορισμένη κίνηση, ανώμαλη κίνηση, ασυνήθιστοι θόρυβοι ή απώλεια αρνητικής πίεσης, θα πρέπει να αναφέρονται αμέσως στον πάροχο υπηρεσιών σας.



Χρησιμοποιείτε πάντα χειρολισθήρα όταν κατεβαίνετε σκάλες και οποιαδήποτε άλλη στιγμή, εφόσον είναι διαθέσιμος.



Αποφύγετε την έκθεση σε υπερβολική ζέστη ή/και υπερβολικό κρύο.



Η συσκευή δεν είναι κατάλληλη για ακραία αθλήματα, αγώνες δρόμου ή ποδηλάτου, αθλήματα στον πάγο και το χιόνι, μεγάλες κλίσεις και ψηλά σκαλιά. Η συμμετοχή σε τέτοιες δραστηριότητες γίνεται αποκλειστικά με ανάληψη του κινδύνου από τους χρήστες. Η ποδηλασία αναψυχής είναι αποδεκτή.



Να προσέχετε για τυχόν κίνδυνο παγίδευσης δακτύλων ανά πάσα στιγμή.



Η συναρμολόγηση, η συντήρηση και η επισκευή της συσκευής πρέπει να διενεργούνται μόνο από ιατρό με τα κατάλληλα προσόντα.



Ο χρήστης δεν πρέπει να ρυθμίζει τη συσκευή ή να παρεμβαίνει στη ρύθμισή της.



Ο χρήστης θα πρέπει να συμβουλευτείται να επικοινωνήσει με τον ιατρό του σε περίπτωση αλλαγής της κατάστασής του.



Βεβαιωθείτε ότι χρησιμοποιούνται μόνο οχήματα με κατάλληλες μετατροπές κατά την οδήγηση. Όλα τα άτομα υποχρεούνται να τηρούν τους αντίστοιχους νόμους οδικής κυκλοφορίας όταν χειρίζονται μηχανοκίνητα οχήματα.



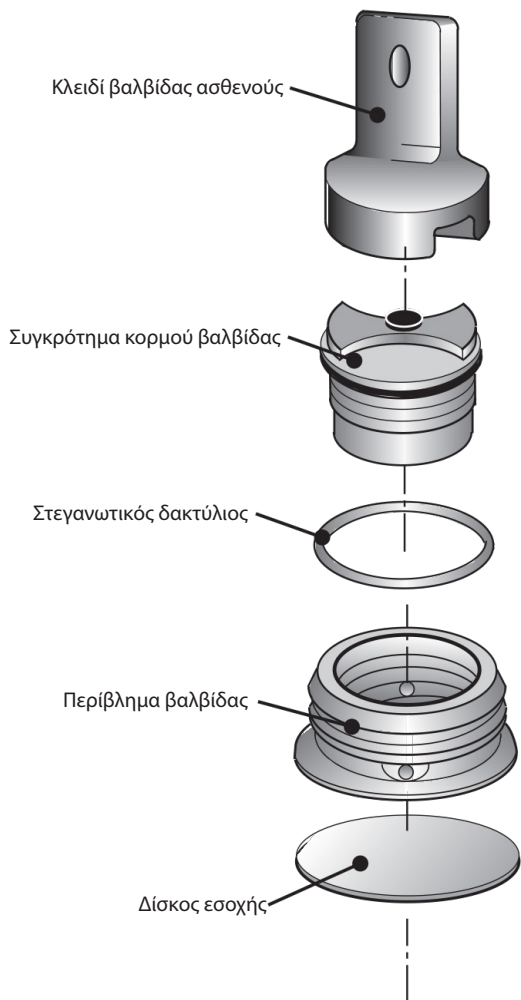
Η συσκευή έχει σχεδιαστεί για παρατεταμένη βύθιση και είναι κατάλληλη για εμβάπτιση σε γλυκό νερό μόνο. Βεβαιωθείτε ότι οποιαδήποτε χρήση της συσκευής σε νερό συμμορφώνεται με τις προϋποθέσεις που αναφέρονται στην ενότητα *Περιορισμοί για τη χρήση*.

### 3 Κατασκευή

#### Κύρια μέρη (099132)

- Δίσκος εσοχής
  - Περίβλημα βαλβίδας
  - Στεγανωτικός δακτύλιος
  - Συγκρότημα κορμού βαλβίδας
  - Κλειδί βαλβίδας ασθενούς
- Καουτσούκ χλωροπρενίου
  - Νάιλον
  - Σιλικόνη
  - Ομοπολυμερές ακετάλης
  - Ομοπολυμερές ακετάλης ή νάιλον

#### Αναγνώριση εξαρτημάτων



---

## 4 Λειτουργία

Η συσκευή παρέχει ένα μέσο διατήρησης της αρνητικής πίεσης μέσα σε μια προσθετική θήκη. Η συσκευή επιτρέπει τη χειροκίνητη ρύθμιση αυτής της αρνητικής πίεσης και την αποβολή του αέρα μέσω του κεντρικού κουμπιού. Η συσκευή επιτρέπει την προσάρτηση (με έλξη προς τα μέσα) των προσθετικών θηκών χάρη στην κατάργηση της κεντρικής βαλβίδας.

---

## 5 Συντήρηση

Ελέγχετε οπτικά τη συσκευή σε τακτά χρονικά διαστήματα.

Αναφέρετε οποιοδήποτε αλλαγές στην απόδοση αυτής της συσκευής στον ιατρό/τον πάροχο υπηρεσιών.

Οι αλλαγές στην απόδοση μπορεί να περιλαμβάνουν τα εξής:

- Απώλεια αρνητικής πίεσης
- Ασυνήθιστοι θόρυβοι
- Έλλειψη ή απώλεια ελέγχου/σύνδεσης
- Επιδείνωση/μεταβολές στο κολόβωμα
- Βλάβη ιστού στο κολόβωμα
- Αλλαγές στην απόδοση της συσκευής

Ενημερώστε τον ιατρό/τον πάροχο υπηρεσιών για τυχόν αλλαγές στο σωματικό βάρος ή/και το επίπεδο σωματικής δραστηριότητας.

### Καθαρισμός της συσκευής

Η συσκευή είναι ενσωματωμένη σε μια προσθετική θήκη που πρέπει να καθαρίζεται καθημερινά για να αποφεύγεται τυχόν συσσώρευση βακτηριδίων. Προσέξτε όταν πιάνετε τη θήκη και τη συσκευή, για να αποφύγετε τη συλλογή σκόνης, χαλικιών και άλλων ξένων σωμάτων που θα μπορούσε να προκαλέσουν ερεθισμό στο δέρμα. Χρησιμοποιήστε υγρό πανί και ήπιο σαπούνι για να καθαρίσετε τις εξωτερικές επιφάνειες και μη χρησιμοποιείτε επιθετικά καθαριστικά.

Στεγνώνετε καλά πριν τη χρήση.

### Καθαρισμός του κολοβώματος

1. Επιθεωρείτε το κολόβωμα πριν και μετά τη χρήση του προσθετικού άκρου ή τουλάχιστον μία φορά την ημέρα. Οποιαδήποτε επιδείνωση της κατάστασης του κολοβώματος θα πρέπει να αναφέρεται στον ιατρό. Αν το κολόβωμα έχει βλάβη ιστού, ζητήστε τη συμβουλή του γιατρού σας.
2. Καθαρίζετε το δέρμα καθημερινά με μη αρωματισμένο σαπούνι με ισορροπημένο pH, ξεπλένετε το δέρμα με καθαρό νερό για να αφαιρούνται όλα τα υπολείμματα.
3. Στεγνώστε το κολόβωμα.
4. Εφαρμόστε λοσιόν στο στεγνό δέρμα, σύμφωνα με τις συστάσεις του ιατρού σας.
5. Βεβαιωθείτε ότι τυχόν δέρμα που έχει υποστεί βλάβη ή τυχόν ανοικτό τραύμα είναι κατάλληλα επιδεμένο, ώστε να αποφεύγεται η άμεση επαφή με τη συσκευή.



**Οι υπόλοιπες οδηγίες της ενότητας αυτής προορίζονται μόνο για χρήση από ιατρούς.**

Η συντήρηση πρέπει να εκτελείται μόνο από αρμόδιο προσωπικό (ιατρό ή κατάλληλο εκπαιδευμένο τεχνικό).

Οι ακόλουθες εργασίες τακτικής συντήρησης πρέπει να εκτελούνται τουλάχιστον σε ετήσια βάση.

- Επιθεωρείτε τακτικά τον στεγανωτικό δακτύλιο
- Βεβαιωθείτε ότι η συσκευή λειτουργεί σωστά, αν δεν βρεθεί σφάλμα σύμφωνα με την ενότητα *Οδηγίες προσαρμογής*.

---

## 6 Περιορισμοί για τη χρήση

### Προβλεπόμενη διάρκεια ζωής

Θα πρέπει να διεξαχθεί επιτόπια αξιολόγηση κινδύνου βάσει της δραστηριότητας και της χρήσης.

### Άρση φορτίου

Το βάρος και η δραστηριότητα του χρήστη εξαρτώνται από τα αναφερόμενα όρια.

Η μεταφορά φορτίου από τον χρήστη θα πρέπει να βασίζεται σε επιτόπια αξιολόγηση κινδύνου.

### Περιβάλλον

Αποφύγετε την έκθεση της συσκευής σε διαβρωτικά στοιχεία όπως οξέα, βιομηχανικά απορρυπαντικά, λευκαντικό ή χλωρίνη.

Η χρήση κρέμας ή λοσιόν με αυτή τη συσκευή θα πρέπει να γίνεται με προσοχή, καθώς αυτές μπορεί να λερώσουν.

Το προϊόν είναι αδιάβροχο σε μέγιστο βάθος 1 μέτρου. Ξεπλένετε καλά με γλυκό νερό μετά τη χρήση σε διαβρωτικά περιβάλλοντα, όπως για παράδειγμα αυτά που μπορεί να περιέχουν άμμο ή χαλίκι, ώστε να αποφύγετε τη φθορά ή την πρόκληση βλάβης στη συσκευή. Ξεπλένετε καλά με γλυκό νερό μετά τη χρήση σε θαλασσινό ή χλωριωμένο νερό.

Αποκλειστικά για χρήση σε θερμοκρασία μεταξύ -15 °C και 50 °C



Κατάλληλο για βύθιση σε υγρό

## 7 Οδηγίες προσαρμογής

Οι οδηγίες της ενότητας αυτής προορίζονται μόνο για χρήση από ιατρούς.

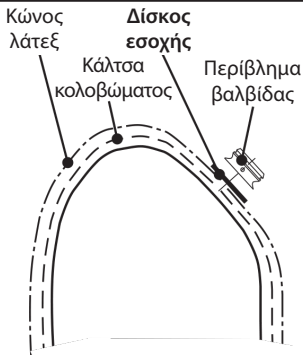
Σύμπτωμα	Επανορθωτική ενέργεια αποκατάστασης
Η συσκευή δεν μπορεί να διατηρήσει την αρνητική πίεση	<ol style="list-style-type: none"><li>1. Ελέγξτε ότι ο κορμός της βαλβίδας είναι καλά τοποθετημένος μέσα στην προσθετική θήκη.</li><li>2. Ελέγξτε ότι το περίβλημα της βαλβίδας έχει τοποθετηθεί σωστά μέσα στην εσοχή.</li><li>3. Επιβεβαιώστε ότι ο στεγανωτικός δακτύλιος βρίσκεται σωστά τοποθετημένος έξω από τον κορμό της βαλβίδας.</li><li>4. Αποσυναρμολογήστε και καθαρίστε τη βαλβίδα.</li></ol>

Εξετάστε σε ποιο σημείο θα τοποθετηθεί η βαλβίδα στην οριστική θήκη, για να ταιριάζει στις μοναδικές απαιτήσεις του συγκεκριμένου χρήστη. Οι περισσότεροι χρήστες προτιμούν την τοποθέτηση της βαλβίδας περιφερικά-έσω και ελαφρώς πρόσθια, ευθυγραμμισμένη επιμήκη προσαγωγό.

## 8 Οδηγίες συναρμολόγησης

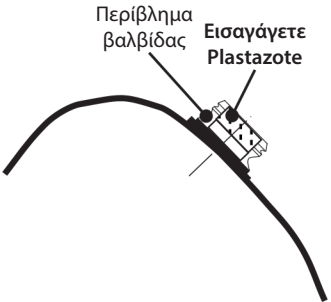
Οι οδηγίες της ενότητας αυτής προορίζονται μόνο για χρήση από ιατρούς.

**1**



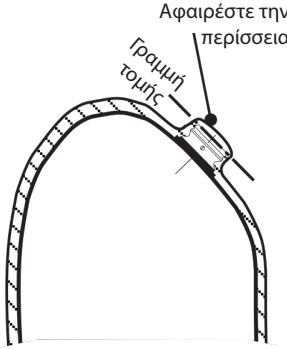
1. Επιεδοποιήστε τοπικά το γύψινο εκμαγείο, στο σημείο όπου πρόκειται να τοποθετηθεί η βαλβίδα.
2. Τοποθετήστε μια κάλτσα κολοβώματος και έναν κώνο λάτεξ πάνω από το εκμαγείο.
3. Εντοπίστε τον δίσκο εσοχής και διατηρήστε τον στη θέση του με ταινία διπλής όψης.

**2**

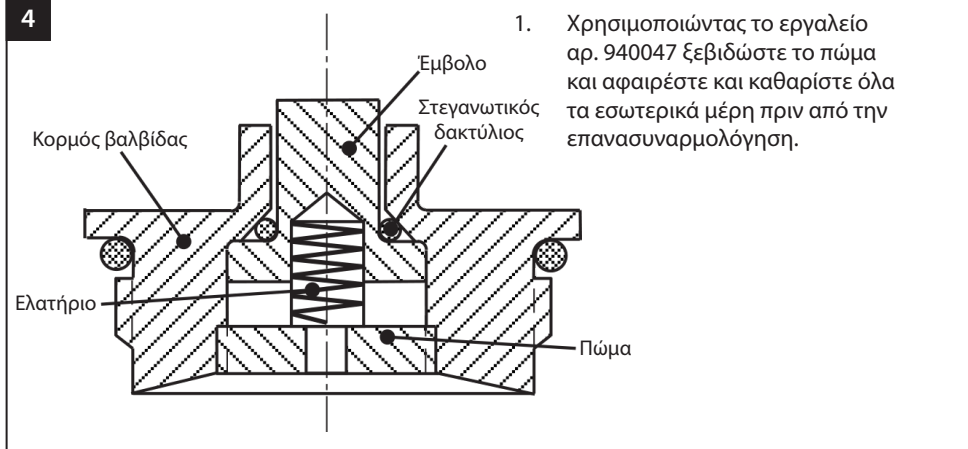


1. Εφαρμόστε πρώτα αρνητική πίεση για να διαμορφώσετε την κάλτσα και τον κώνο επάνω στο εκμαγείο και, στη συνέχεια, τοποθετήστε το περιβλήμα της βαλβίδας στην επιθυμητή θέση με ταινία διπλής όψης.
2. Εισαγάγετε Plastazote στο περιβλήμα της βαλβίδας, προσέχοντας να μην κρύψετε τις 4 οπές αερισμού.
3. Τρυπήστε τοπικά το λάτεξ, εντός και εκτός του περιβλήματος της βαλβίδας.
4. Τεντώστε προσεκτικά (χωρίς να τον κυλίσετε) τον στεγανωτικό δακτύλιο πάνω στην αυλάκωση του περιβλήματος.

**3**



1. Τοποθετήστε επικάλυψη στη θήκη, πιέζοντας προς τα κάτω, αν χρειάζεται, ώστε να είναι δυνατή η κατασκευή της εξωτερικής θήκης. Προσδέστε γύρω από τον κορμό της βαλβίδας, για να εξασφαλίσετε καλή σφράγιση μεταξύ του κορμού της βαλβίδας και της θήκης.
2. Ανοίξτε μια οπή 6 mm μέσω του κέντρου του περιβλήματος της βαλβίδας, εισαγάγετε το λεπτό νήμα και αφαιρέστε τη θήκη από το εκμαγείο.
3. Αφαιρέστε την περίσσεια υλικού από το περιβλήμα της βαλβίδας όπως επισημαίνεται (πρόσωπο με το περίβλημα) και αφαιρέστε το βύσμα Plastazone. Τοποθετήστε και βιδώστε το συγκρότημα κορμού της βαλβίδας.
4. Μην παραλείψετε να παράσχετε στον ασθενή το κλειδί της βαλβίδας.



## 9 Τεχνικά στοιχεία

Αρ. εξαρτήματος

099132 (στόμιο διαμέτρου 19 mm)

099134 (στόμιο διαμέτρου 24 mm)

Εύρος τιμών θερμοκρασίας χειρισμού και φύλαξης:

-15 °C έως 50 °C

Βάρος εξαρτημάτων:

27 g

Επίπεδο σωματικής δραστηριότητας:

1-4

## 10 Πληροφορίες παραγγελίας

Αριθμός εξαρτήματος

099132 (στόμιο διαμέτρου 19 mm)

Ανταλλακτικά	
Περιγραφή	Αριθμός εξαρτήματος
Κλειδί βαλβίδας ασθενούς	940046
Συγκρότημα κορμού βαλβίδας	099232
Στεγανωτικός δακτύλιος	924137
Περίβλημα βαλβίδας	093203
Δίσκος εσοχής	093205

Αριθμός εξαρτήματος

099134 (στόμιο διαμέτρου 24 mm)

Ανταλλακτικά	
Περιγραφή	Αριθμός εξαρτήματος
Κλειδί βαλβίδας ασθενούς	940046
Συγκρότημα κορμού βαλβίδας	099334
Στεγανωτικός δακτύλιος	924142
Περίβλημα βαλβίδας	093402
Δίσκος εσοχής	093403

Εργαλεία (για το 099132 και το 099134)

Περιγραφή	Αριθμός εξαρτήματος
Κλειδί βαλβίδας	940047

## Ευθύνη

Ο κατασκευαστής συνιστά τη χρήση της συσκευής μόνο υπό τις καθορισμένες συνθήκες και για τους προβλεπόμενους σκοπούς. Η συσκευή πρέπει να συντηρείται σύμφωνα με τις οδηγίες χρήσης που συνοδεύουν τη συσκευή. Ο κατασκευαστής δεν φέρει ευθύνη για οποιοδήποτε δυσμενές αποτέλεσμα προκληθεί από συνδυασμούς εξαρτημάτων που δεν έχουν εγκριθεί από αυτόν.

## Πιστότητα CE

Το προϊόν αυτό ικανοποιεί τις απαιτήσεις του Ευρωπαϊκού Κανονισμού (ΕΕ) 2017/745 περί ιατροτεχνολογικών προϊόντων. Το προϊόν αυτό έχει ταξινομηθεί ως ιατροτεχνολογικό προϊόν κατηγορίας Ι σύμφωνα με τους κανόνες ταξινόμησης που περιγράφονται στο παράρτημα VIII του κανονισμού. Η δήλωση πιστότητας ΕΕ διατίθεται στην ακόλουθη διεύθυνση στο Internet: [www.blatchford.co.uk](http://www.blatchford.co.uk)



Ιατροτεχνολογικό προϊόν



Πολλαπλή χρήση – σε έναν μόνο ασθενή

## Συμβατότητα

Ο συνδυασμός με προϊόντα επωνυμίας Blatchford εγκρίνεται βάσει δοκιμών σύμφωνα με τα σχετικά πρότυπα και την οδηγία περί των ιατροτεχνολογικών προϊόντων, συμπεριλαμβανομένων δομικών δοκιμών, συμβατότητας διαστάσεων και παρακολουθούμενης απόδοσης πεδίου.

Ο συνδυασμός με εναλλακτικά προϊόντα με σήμανση CE πρέπει να πραγματοποιείται βάσει τεκμηριωμένης επιτόπιας αξιολόγησης κινδύνου που έχει διεξαχθεί από ιατρό.

## Εγγύηση

Η συσκευή αυτή καλύπτεται από εγγύηση 24 μηνών.

Ο χρήστης πρέπει να ενημερώνεται ότι οι αλλαγές ή οι τροποποιήσεις που δεν έχουν εγκριθεί ρητά ενδέχεται να ακυρώσουν την εγγύηση, τις άδειες λειτουργίας και τις εξαιρέσεις.

Τα παραπάνω ενδέχεται να διαφέρουν ανάλογα με την αγορά. Για λεπτομέρειες, απευθυνθείτε στον τοπικό αντιπρόσωπο.

Ανατρέξτε στον ιστότοπο της Blatchford για την τρέχουσα πλήρη δήλωση εγγύησης.

## Αναφορά σοβαρών περιστατικών

Στην απίθανη περίπτωση που προκύψει κάποιο σοβαρό περιστατικό σε σχέση με τη συσκευή αυτή, αυτό θα πρέπει να αναφερθεί στον κατασκευαστή και τις αρμόδιες εθνικές αρχές.

## Θέματα περιβάλλοντος

Το προϊόν αυτό έχει κατασκευαστεί από ανακυκλώσιμα υλικά. Όπου αυτό είναι δυνατόν, τα εξαρτήματα θα πρέπει να ανακυκλώνονται σύμφωνα με τους τοπικούς κανονισμούς χειρισμού αποβλήτων.

## Διατήρηση της ετικέτας συσκευασίας

Συνιστάται στον ιατρόνα διατηρεί την ετικέτα της συσκευασίας ως αρχείο της παρεχόμενης συσκευής.

## Αναγνωρίσεις εμπορικών σημάτων

Σήματα κατατεθέντα της Blatchford Products Limited.

## Καταχωρημένη διεύθυνση κατασκευαστή

Blatchford Products Limited, Lister Road, Basingstoke RG22 4AH, Ηνωμένο Βασίλειο.



Saturs.....	79
1 Apraksts un paredzētais mērķis .....	80
2 Drošības informācija .....	81
3 Uzbūve .....	82
4 Funkcija.....	83
5 Apkope.....	83
6 Lietošanas ierobežojumi.....	84
7 Pielāgošanas ieteikumi.....	85
8 Montāžas norādījumi.....	86
9 Tehniskie dati.....	87
10 Pasūtīšanas informācija.....	88

# 1 Apraksts un paredzētais mērķis

Šī lietošanas pamācība ir paredzēta speciālistam un lietotājam, ja vien nav norādīts citādi.

Termins *ierīce* šajā lietošanas pamācībā tiek lietots, lai apzīmētu virsceļu protēžu piesūcējuzmavu vārsta komplektu cietajām uznavām.

Lūdzu, izlasiet un pārliecinieties, ka izprotat visu lietošanas pamācību — it īpaši visu informāciju par drošību un apkopes norādījumus.

## Pielietojums

Paredzēts, ka šī ierīce tiks lietota tikai kā apakšējo ekstremitāšu virsceļu protēzes daļa.

Protēzes vārsts lietošanai piesūcējuznavās, kas ražotas no cieta termoplastiskās plastmasas uznavu materiāla.

Konstruēta saskaņā ar Blatchford ieteikumiem uznavu ražošanai.

Paredzēta tikai vienam lietotājam.

## Funkcijas

- Saglabā vakuumu uznavā.
- Centrālās pogas nospiešana ļauj manuāli nodrošināt gaisa iekļūšanu vai izspiešanu, līdz uznavā tiek sasniegts vakuuma līmenis.
- Atvieglo uzvilkšanu/novilkšanu, izņemot centrālo vītņoto vārstu.

## Aktivitātes līmenis

Šī ierīce ir piemērota 1. līdz 4. aktivitātes līmenim; pastāv ķermeņa masas ierobežojumi; skatīt Tehniskie dati, 9. sadaļu.

Protams, pastāv izņēmumi, un mūsu ieteikumā vēlamies pieļaut unikālus, individuālus apstākļus, un jebkurš šāds lēmums ir jāpieņem, ja ir skaidrs un pārdomāts pamatojums.

### 1. aktivitātes līmenis

Spēj vai ir potenciāls izmantot protēzi, lai pārvietotos ar palīdzību vai staigātu pa līdzenu virsmu fiksētā tempā. Tipiski personai, kura spēj staigāt ar vai bez ierobežojumiem.

### 2. aktivitātes līmenis

Spēja vai potenciāls staigāt ar palīdzidzekli ar spēju šķērsot nelielas vides barjeras, piemēram, ietves malas, kāpnes vai nelīdzenas virsmas. Tipiski cilvēkam, kas pārvietojas ar ierobežojumiem ārpus mājām.

### 3. aktivitātes līmenis

Spēja vai potenciāls pārvietoties ar mainīgu tempu.

Tipiski cilvēkam, kurš var neatkarīgi pārvietoties ārpus mājas, šķērsojot lielāko daļu vides barjeru, un kuram var būt profesionālā, terapeitiskā vai fiziskā aktivitāte, kam nepieciešama protēzes izmantošana, kas pārsniedz parastu pārvietošanos.

### 4. aktivitātes līmenis

Spēja vai potenciāls staigāt, kas pārsniedz parastās pārvietošanās ar protēzi prasmes, pieļaujot augstu triecienu, stresu vai enerģijas pakāpi. Tipiski bērnu, aktīvu pieaugušo vai sportistu protezēšanas vajadzībām.



## Kontrindikācijas

- Šī ierīce nav piemērota lietotājiem ar elastīgu uzmavas materiālu.
- Lai varētu pareizi uzvilkt/novilkt ierīci un saprast, kā to lietot, nepieciešama pietiekama līdzsvara sajūta, veiklība un kognitīvā funkcija.
- Lietotājiem ar sliktu roku vai kognitīvo funkciju, iespējams, būs grūti uzvilkt, lietot vai tīrīt ierīci.
- Slikta higiēna
- Šo ierīci drīkst lietot tikai uzmavām ar pilnu saskari.

## Kliniskie ieguvumi

- Viena virziena sistēma ļauj izspiest lieko gaisu no protēzes uzmavas, nodrošinot ciešāku piegulšanu.
- Ļauj manuāli nodrošināt gaisa iekļūšanu vai izspiešanu dažādām aktivitātēm un prasībām.

---

## 2 Drošības informācija



Šis brīdinājuma simbols izceļ svarīgu drošības informāciju, kas rūpīgi jāievēro.



Par jebkādām veiktspējas vai ierīces funkcionēšanas izmaiņām, piem., ierobežotu kustību, nevienmērīgu kustību, neparastiem trokšņiem vai vakuuma zudumu, nekavējoties ziņojiet savam pakalpojumu sniedzējam.



Ejot pa kāpnēm lejā un jebkurā citā laikā vienmēr izmantojiet kāpņu margas, kad tās ir pieejamas.



Izvairieties no pārmērīga karstuma un/vai aukstuma iedarbības.



Ierīce nav piemērota ekstrēmām sporta veidiem, skriešanai vai riteņbraukšanas sacensībām, sportošanai uz ledu un sniega, stāvām nogāzēm un pakāpieniem. Par šādu darbību veikšanu ir atbildīgs tikai lietotājs. Ir pieļaujama riteņbraukšana atpūtas nolūkos.



Vienmēr apzinieties pirkstu iespīšanas bīstamību.



Ierīces montāžu, apkopi un remontu drīkst veikt tikai atbilstoši kvalificēts ārsts.



Lietotājs nedrīkst regulēt vai izmainīt ierīces iestatījumus.



Ja mainās ierīces stāvoklis, lietotājam ieteicams sazināties ar speciālistu.



Pārliedzinieties, ka braukšanas laikā tiek izmantoti tikai atbilstoši aprīkoti transportlīdzekļi. Visām personām, vadot mehāniskos transportlīdzekļus, ir jāievēro attiecīgie satiksmes noteikumi.



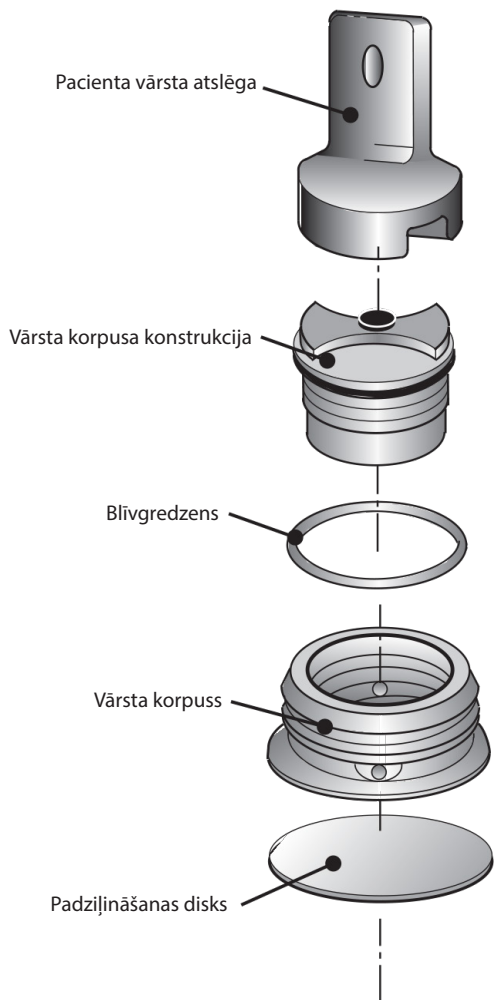
Ierīce ir paredzēta ilgstošai iegremdēšanai un piemērota tikai iegremdēšanai saldūdenī. Pārliedzinieties, ka ierīces lietošana ūdenī atbilst nosacījumiem, kas norādīti sadaļā *Lietošanas ierobežojumi*.

## 3 Uzbūve

### Galvenās sastāvdaļas (099132)

- Padziļināšanas disks Hloroprēna gumija
- Vārsta korpusš Neilons
- Blīvgredzens Silikons
- Vārsta korpusa konstrukcija Acetāla homopolimērs
- Pacienta vārsta atslēga Acetāla homopolimērs vai neilons

### Sastāvdaļu identifikācija



---

## 4 Funkcija

Šī ierīce nodrošina iespēju uzturēt vakuumu protēzes uzdevā. Šī ierīce ļauj manuāli koriģēt vakuumu un gaisa izspiešanu, izmantojot centrālo pogu. Ierīce ļauj uzvilkt protēzes uzdevu, noņemot centrālo vārstu.

---

## 5 Apkope

Regulāri vizuāli pārbaudiet ierīci.

Par visām šīs ierīces veiktspējas izmaiņām jāziņo ārstam/pakalpojumu sniedzējam.

Veiktspējas izmaiņas ietver:

- ja ir vakuuma zudums;
- ja ir neparasti trokšņi;
- ja ir nepietiekama kontrole/savienojums;
- ja notikušas ekstremitātes atlikušās daļas stāvokļa pasliktināšanās/izmaiņas;
- ja ir ekstremitātes atlikušās daļas audu bojājumi;
- ja notikušas ierīces veiktspējas izmaiņas.

Informējiet speciālistu/pakalpojumu sniedzēju par jebkādam ķermeņa masas un/vai aktivitātes līmeņa izmaiņām.

### Ierīces tīrīšana

Šī ierīce ir integrēta protēzes uzdevā, kas ir jātīra katru dienu, lai novērstu baktēriju uzkrāšanos. Ar uzdevu un ierīci rīkojieties piesardzīgi, lai nepieļautu putekļu, smilšu un citu ādu kairinošu piesārņotāju pielipšanu. Izmantojiet mitru drānu un vieglu ziepjūdeni, lai notīrītu ārējās virsmas; neizmantojiet agresīvus tīrīšanas līdzekļus.

Pirms lietošanas rūpīgi nožāvējiet.

### Ekstremitātes atlikušās daļas tīrīšana

1. Ekstremitātes atlikušo daļu pārbaudiet pirms un pēc protēzes lietošanas vai vismaz katru dienu. Par ekstremitātes atlikušās daļas stāvokļa pasliktināšanos ir jāziņo speciālistam. Ja ekstremitātes atlikušās daļas audi ir bojāti, konsultējieties ar veselības aprūpes speciālistu.
2. Ādu tīriet katru dienu ar pH neitrālām ziepēm bez smaržvielām; noskalojiet ādu ar tīru ūdeni, lai pilnībā atbrīvotos no atliekām.
3. Nosusiniet ekstremitātes atlikušo daļu.
4. Sausai ādai uzklājiet losjonu, kā ieteicis Jūsu ārsts.
5. Parūpējieties, lai ādas bojājums vai vaļēja brūce tiktu pareizi pārsieta piemērotā veidā, lai nepieļautu tiešu saskari ar ierīci.

### **Turpmākie šajā sadaļā esošie norādījumi paredzēti tikai speciālistam.**

Apkopi drīkst veikt tikai kompetents personāls (speciālists vai atbilstoši apmācīts tehniķis).

Vismaz reizi gadā jāveic šāda regulārā apkope.

- Regulāri pārbaudiet blīvgredzenu
- Pārlicinieties, ka ierīce darbojas pareizi, ja nav konstatēta problēma atbilstoši *Pielāgošanas ieteikumi*.

---

## 6 Lietošanas ierobežojumi

### **Paredzētais kalpošanas laiks**

Jāveic vietējs riska novērtējums, pamatojoties uz aktivitāti un lietojumu.

### **Celšanas slodzes**

Lietotāja ķermeņa masu un aktivitāti regulē noteiktie ierobežojumi.

Lietotāja slodzei jāatbilst vietējā riska novērtējumā noteiktajai.

### **Vide**

Izvairieties no ierīces pakļaušanas kodīgu vielu, piemēram, skābju, rūpniecisko mazgāšanas līdzekļu, balinātāju vai hlora, iedarbības.

Krēmi un losjoni kopā ar šo ierīci ir jālieto piesardzīgi, jo tie var sabojāt vārstu.

Šis izstrādājums ir ūdensizturīgs līdz ne vairāk kā 1 metra dziļumam. Pēc lietošanas abrazīvās vidēs, piemēram, vietās, kur var būt smiltis vai grants, rūpīgi nomazgājiet ar tīru ūdeni, lai novērstu šīs ierīces nodilumu vai bojājumus. Pēc lietošanas sāls vai hlorētā ūdenī rūpīgi noskalojiet ar saldūdeni.

Lietot tikai temperatūrā no -15 °C līdz 50 °C



Piemērota iegremdēšanai

## 7 Pielāgošanas ieteikumi

*Šajā sadaļā esošie norādījumi paredzēti tikai speciālistam.*

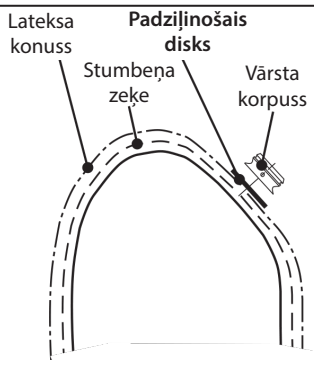
Simptoms	Risinājums
Ierīce nespēj saglabāt vakuumu.	<ol style="list-style-type: none"><li>1. Pārliedzieties, ka vārsta korpuss ir droši ievietots protēzes uzdevā.</li><li>2. Pārliedzieties, ka vārsta korpuss ir pareizi ievietots padziļinājumā.</li><li>3. Pārliedzieties, ka blīvgredzens atrodas pareizā vietā ārpus vārsta korpusa.</li><li>4. Demontējiet un iztīriet vārstu.</li></ol>

Apsveriet, kā izvietot vārstu uz galīgās uzdevas, lai tas atbilstu konkrētā lietotāja īpašajām prasībām. Lielākā daļa lietotāju izvēlas distāli-mediālu vārsta novietojumu, nedaudz priekšā garajam pievilcējmuskulim.

## 8 Montāžas norādījumi

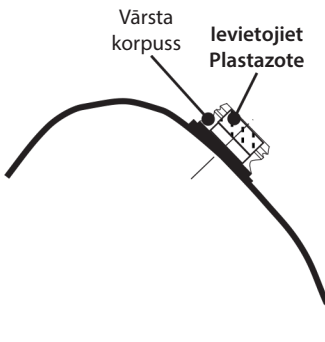
Šajā sadaļā esošie norādījumi paredzēti tikai speciālistam.

**1**



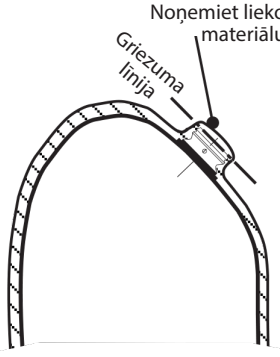
1. Izlīdziniet ģipsi vietā, kur būs jāpievieno vārsts.
2. Uzvelciet lējumam stumbeņa zeķi un lateksa konusu.
3. Uztaustiet padziļinošo disku un fiksējiet vietā ar abpusēju lenti.

**2**

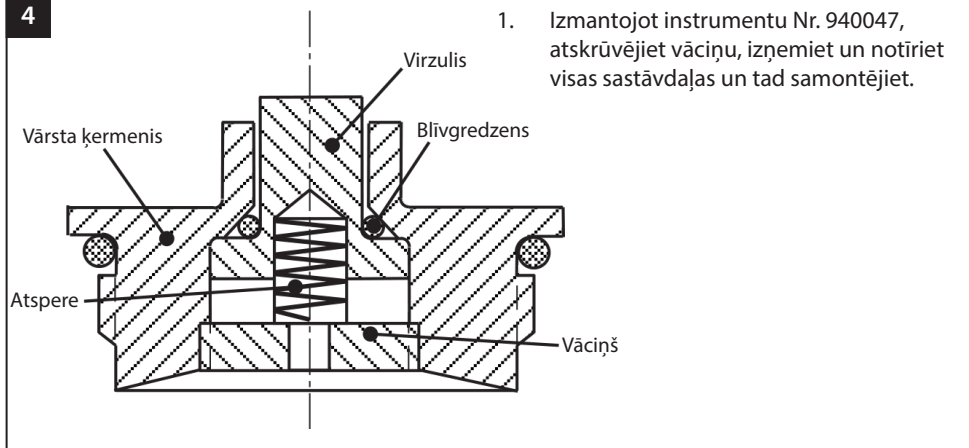


1. Piemērojiet vakuumu, lai piešķirtu zeķei un lateksa konusam formu uz lējuma, tad, izmantojot abpusēju lenti, novietojiet vārsta korpusu nepieciešamajā stāvoklī.
2. Ievietojiet Plastazote vārsta korpusā tā, lai nenosprostotu 4 elpošanas atveres.
3. Pārduriet lateksu vārsta korpusa iekšpusē un ārpusē.
4. Blīvgredzens ir rūpīgi jāuzstiepj (nevis jāuzrullē) rievai korpusā.

**3**



1. Pārklājiet uznavu, ja nepieciešams, lai izveidotu ārējo uznavu. Nosieniet ap vārsta korpusu, lai nodrošinātu pietiekamu gaisa necaurlaidību starp vārsta korpusu un uznavu.
2. Izurbiet 6 mm atveri vārsta korpusa centrā, ievietojiet gaisa kanālu un izņemiet uznavu no lējuma.
3. Noņemiet lieko materiālu no vārsta korpusa, kā norādīts (vienā līmenī ar korpusu), un izņemiet Plastazote aizbāzni. Ieskrūvējiet vārsta korpusa konstrukciju.
4. Pārliecinieties, ka pacientam ir izsniegta vārsta atslēga.



## 9 Tehniskie dati

Daļas Nr.

099132 (19 mm diam. atvere)

099134 (24 mm diam. atvere)

Darbības un uzglabāšanas  
temperatūras diapazons:

-15 °C līdz 50 °C

Komponenta svars:

27 g

Aktivitātes līmenis:

1.-4.

# 10 Pasūtīšanas informācija

## Daļas numurs

**099132 (19 mm diam. atvere)**

Rezerves daļas	
Apraksts	Daļas numurs
Pacienta vārsta atslēga	940046
Vārsta korpusa konstrukcija	099232
Blīvgredzens	924137
Vārsta korpuss	093203
Padziļināšanas disks	093205

## Daļas numurs

**099134 (24 mm diam. atvere)**

Rezerves daļas	
Apraksts	Daļas numurs
Pacienta vārsta atslēga	940046
Vārsta korpusa konstrukcija	099334
Blīvgredzens	924142
Vārsta korpuss	093402
Padziļināšanas disks	093403

## Instrumenti (099132 un 099134)

Apraksts	Daļas numurs
Vārsta uzgriežņu atslēga	940047



## Atbildība

Ražotājs iesaka izmantot ierīci tikai noteiktos apstākļos un paredzētajiem mērķiem. Ierīces apkope ir jāveic saskaņā ar komplektācijā iekļauto lietošanas pamācību. Ražotājs nav atbildīgs par negatīviem rezultātiem, ko izraisa neatļautas komponentu kombinācijas.

## CE atbilstība

Šis izstrādājums atbilst Eiropas Regulai ES 2017/745, kas attiecas uz medicīniskajām ierīcēm. Šis izstrādājums ir klasificēts kā I klases produkts saskaņā ar klasifikācijas kritērijiem, kas izklāstīti Regulas VIII pielikumā. ES atbilstības deklarācijas sertifikāts pieejams tīmekļa vietnē [www.blatchford.co.uk](http://www.blatchford.co.uk)



Medicīniskā ierīce



Viens pacients — atkārtota lietošana

## Saderība

Kombinācija ar Blatchford zīmola izstrādājumiem ir apstiprināta, pamatojoties uz testēšanu saskaņā ar attiecīgajiem standartiem un MDR, tostarp attiecībā uz konstrukcijas pārbaudi, izmēru saderību un uzraudzītu lauka veiktspēju.

Kombinēšana ar alternatīviem CE marķētiem izstrādājumiem jāveic, ņemot vērā dokumentētu vietējā riska novērtējumu, ko izpilda speciālists.

## Garantija

Šai ierīcei ir piešķirta 24 mēnešu garantija.

Lietotājam ir jāapzinās, ka izmaiņas vai pārveidojumi, kas nav skaidri apstiprināti, var anulēt garantiju, darbības licences un izņēmumus.

Iepriekš minētais dažādos tirgos var atšķirties; konsultējieties ar savu vietējo tirdzniecības pārstāvi, lai uzzinātu vairāk.

Pilnīgu pašreizējo garantijas paziņojumu skatīt Blatchford tīmekļa vietnē.

## Ziņošana par nopietniem negadījumiem

Ja rodas nopietns negadījums, kas saistīts ar šo ierīci un kas ir maz ticams, par to jāziņo ražotājam un valsts kompetentajai iestādei.

## Vides aspekti

Šis izstrādājums ir izgatavots no pārstrādājamiem materiāliem. Ja iespējams, komponenti jāpārstrādā saskaņā ar vietējiem atkritumu apstrādes noteikumiem.

## Iepakojuma etiķetes saglabāšana

Speciālistam ieteicams glabāt iepakojuma etiķeti atsaucei par piegādāto ierīci.

## Paziņojumi par preču zīmēm

Uzņēmuma Blatchford Products Limited reģistrētas preču zīmes.

## Ražotāja reģistrētā adrese

Blatchford Products Limited, Lister Road, Basingstoke RG22 4AH, Apvienotā Karaliste.

Turinys .....	90
1 Aprašas ir numatyta paskirtis .....	91
2 Saugos informacija .....	92
3 Konstrukcija.....	93
4 Veikimas.....	94
5 Priežiūra .....	94
6 Naudojimo apribojimai .....	95
7 Pritaikymo patarimai.....	96
8 Surinkimo instrukcijos.....	97
9 Techniniai duomenys.....	98
10 Informacija apie užsakymą .....	99

# 1 Aprašas ir numatyta paskirtis

Jei nenurodyta kitaip, ši naudojimo instrukcija skirta gydytojui ir naudotojui.

Joje terminu *priemonė* vadinamas virš kelio amputuotos galūnės prisisiurbiančiojo bigės ėmiklio vožtuvo komplektas, skirtas stadiems bigės ėmikliams.

Perskaitykite visą naudojimo instrukciją ir įsitikinkite, kad viską supratote, ypač visą saugos informaciją ir priežiūros instrukcijas.

## Taikymas

Priemonė skirta naudoti tik kaip virš kelio amputuotos apatinės galūnės protezo dalis.

Protezo vožtuvas, skirtas naudoti prisisiurbiančiuosiuose bigės ėmikliuose, pagamintuose iš standžių termoplastinių medžiagų.

Laminuoti bigės ėmikliai turi būti pagaminti pagal „Blatchford“ bigės ėmiklio gamybos rekomendacijas.

Skirta tik vienam naudotojui.

## Ypatybės

- Išlaiko vakuumą bigės ėmiklyje.
- Paspaudus centrinį mygtuką galima savarankiškai įleisti arba išleisti oro ir taip sureguliuoti vakuumo lygį bigės ėmiklyje.
- Palengvina užsidedimą ir nusiėmimą pašalinant centrinį srieginį vožtuvą.

## Mobilumo lygis

Priemonė tinka 1–4 mobilumo lygiams; taikomi svorio apribojimai, žr. 9 skyrių „Techniniai duomenys“.

Žinoma, būna išimčių, todėl savo rekomendacijoje atsižvelgiame ir į galimas individualias naudojimo aplinkybes, tačiau visi sprendimai turi būti logiškai ir visapusiškai pagrįsti.

### 1 mobilumo lygis

Naudodamas protezą geba perkelti svorį nuo vienos kojos ant kitos arba eiti lygiu paviršiumi vienodu greičiu. Tipinis ambulatorinis ligois, galintis vaikščioti su apribojimais arba be jų.

### 2 mobilumo lygis

Geba vaikščioti ir įveikti žemas aplinkos kliūtis, pvz., šaligatvio bortelius, laiptus arba nelygius paviršius. Tipinis ambulatorinis ligois, galintis su apribojimais vaikščioti ne tik gyvenamojoje vietoje.

### 3 mobilumo lygis

Geba vaikščioti kintamu greičiu.

Tipinis ambulatorinis ligois, kuris gali vaikščioti ne tik gyvenamojoje vietoje, geba įveikti daugumą aplinkos kliūčių ir gali užsiimti profesine, terapine arba mankštos veikla, dėl kurios protezas turi būti naudojamas intensyviau, nei atliekant įprastus judesius.

### 4 mobilumo lygis

Geba vaikščioti su protezu tokiu būdu, kuris viršija elementaraus vaikščiojimo įgūdžius, pasižymi stipriais smūgiais, įtempiais ir dideliu energijos kiekiu. Tipiniai vaikų, aktyvių suaugusiųjų arba sportininkų su protezu poreikiai.

## Kontraindikacijos

- Priemonė gali netikti bigės ėmikliams, pagamintiems iš lanksčių medžiagų.
- Naudotojai turi gebėti išlaikyti tinkamą pusiausvyrą, būti pakankamai miklūs ir nuovokūs, kad galėtų naudoti priemonę užsidėdami ir nusiimdami protezę bei suprasti, kaip ją reikia naudoti.
- Naudotojams, kurių rankų valdymo arba kognityvinė funkcija suprastėjusi, užsidėti, naudoti ir valyti priemonę gali būti sudėtinga.
- Prasti higienos įgūdžiai
- Priemonės negalima naudoti ne viso kontakto bigės ėmikliuose.

## Klinikinė nauda

- Suteikia galimybę per vienkryptę sistemą išleisti oro perteklių iš bigės ėmiklio, kad jis tinkamai priglustų.
- Leidžia savarankiškai išleisti ir įleisti oro užsiimant skirtinga veikla ir esant skirtingiems poreikiams.

---

## 2 Saugos informacija



Šiuo įspėjamoju simboliu pažymėta svarbi saugos informacija, kuria būtina atidžiai vadovautis.



Apie bet kokius priemonės veikimo savybių arba funkcionavimo pakitimus, pvz., ribotą judėjimą, nesklandų judėjimą, neįprastus garsus arba vakuumo praradimą, būtina nedelsiant pranešti priežiūros specialistui.



Visada laikykitės už turėklų, kai leidžiatės laiptais žemyn ir kitais atvejais, kai turėklai įrengti.



Saugokite nuo itin didelio karščio ir (arba) šalčio.



Priemonė netinkama ekstremaliam sportui, bėgimui, dviračių lenktynėms, žiemos sporto šakoms, labai stačioms įkalnėms ir laiptams. Užsiimdami tokia veikla naudotojai prisiima visą atsakomybę. Leidžiamas pramoginis važinėjimas dviračiu.



Visada atminkite apie pirštų prispaudimo pavojų.



Priemonės surinkimo, priežiūros ir remonto darbus privalo atlikti tik tinkamos kvalifikacijos gydytojas.



Naudotojui neleidžiama koreguoti ar savavališkai keisti priemonės sąrankos.



Naudotoją reikia informuoti, kad pajutus diskomfortą būtina susisiekti su gydytoju.



Vairuokite tik tinkamai pritaikytas transporto priemones. Valdydami motorines transporto priemones visi asmenys privalo laikytis atitinkamų vairavimą reglamentuojančių teisės aktų.



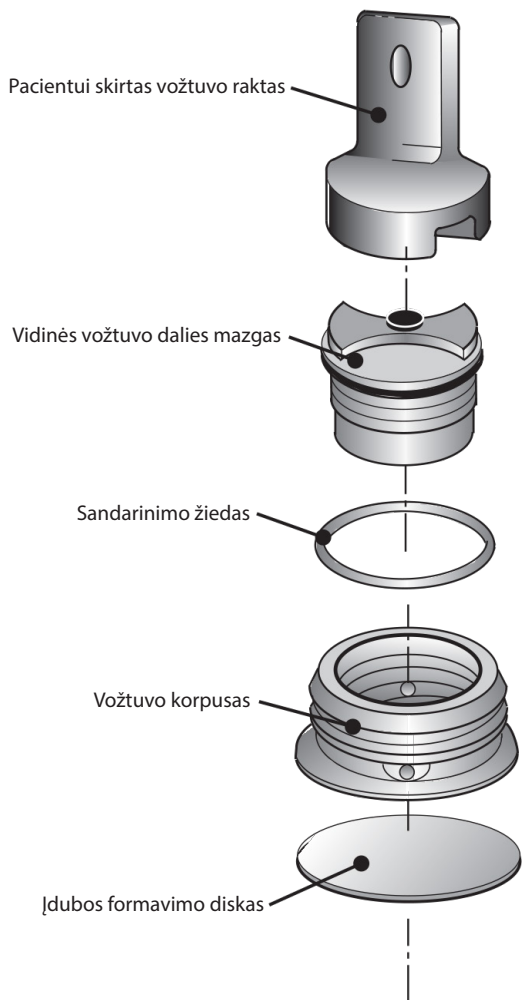
Priemonę galima ilgą laiką panardinti į vandenį (tik gėlą). Priemonės naudojimas vandenyje turi atitikti sąlygas, nurodytas *Naudojimo apribojimais*.

## 3 Konstrukcija

### Pagrindinės dalys (099132)

- Įdubos formavimo diskas Chlorpreno kaučiukas
- Vožtuvo korpusas Nailonas
- Sandarinimo žiedas Silikonas
- Vidinės vožtuvo dalies mazgas Acetalio homopolimeras
- Pacientui skirtas vožtuvo raktas Acetalio homopolimeras arba nailonas

### Komponentų identifikavimas



---

## 4 Veikimas

Priemonė suteikia galimybę išlaikyti vakuumą bigės ėmiklyje. Priemonė leidžia centriniu mygtuku savarankiškai reguliuoti vakuumą ir išleisti orą. Priemonė leidžia užsidėti (užsimauti) bigės ėmiklius pašalinant centrinį vožtuvą.

---

## 5 Priežiūra

Priemonę reguliariai apžiūrėkite.

Apie bet kokius priemonės veikimo pakitimus praneškite gydytojui ir (arba) priežiūros specialistui.

Galimi veikimo pakitimai:

- Vakuumo praradimas
- Neįprasti garsai
- Kontrolės arba sujungimo stoka ar praradimas
- Likusios galūnės dalies būklės pablogėjimas arba pasikeitimas
- Likusios galūnės dalies audinių sužalojimas
- Priemonės veikimo savybių pasikeitimas

Informuokite gydytoją ir (arba) priežiūros specialistą apie pasikeitusį kūno svorį ir (arba) mobilumo lygį.

### Priemonės valymas

Priemonė integruota į bigės ėmiklį, kuris turi būti kasdien valomas, kad nesikauptų bakterijų. Saugokite, kad prie bigės ėmiklio ir priemonės neprikibtų dulkių, smėlio ir kitų nešvarumų, kurie gali dirginti odą. Drėgna šluoste ir švelniu muilu nuvalykite išorinius paviršius. Nenaudokite stiprių valiklių.

Prieš naudodami gerai išdžiovinkite.

### Likusios galūnės dalies valymas

1. Prieš naudodami ir panaudoję galūnės protezą arba bent kasdien apžiūrėkite likusią galūnės dalį. Apie likusios galūnės dalies būklės pablogėjimą reikia pranešti gydytojui. Jei likusios galūnės dalies audiniai sužalojami, pasikonsultuokite su gydytoju.
2. Kasdien nuplaukite odą neutralaus pH muilu be kvapiklių ir nuskalaukite švariu vandeniu, kad pašalintumėte apnašas.
3. Nusausinkite likusią galūnės dalį.
4. Sausą odą patepkite losjonu, kaip rekomendavo gydytojas.
5. Pažeista oda ir atviros žaizdos turi būti tinkamai sutvarstytos, jos negali liestis su priemone.

### ***Kiti nurodymai šiame skyriuje skirti tik gydytojui.***

Šiuos priežiūros darbus privalo atlikti tik kompetentingi darbuotojai (gydytojas arba tinkamos kvalifikacijos specialistas).

Toliau nurodytus reguliarios priežiūros darbus reikia atlikti bent kartą per metus.

- Reguliariai apžiūrėkite sandarinimo žiedą
- Patikrinkite, ar priemonė tinkamai veikia. Jei ne, ieškokite gedimo, kaip nurodyta skyriuje *Pritaikymo patarimai*.

---

## 6 Naudojimo apribojimai

### **Numatyta naudojimo trukmė**

Reikia atlikti vietinį rizikos vertinimą ir įvertinti aktyvumą bei naudojimą.

### **Sunkių daiktų kėlimas**

Leidžiamas naudotojo svoris ir aktyvumas priklauso nuo nurodytų ribų.

Galimybė naudotojui nešti sunkius daiktus turi būti pagrįsta vietiniu rizikos vertinimu.

### **Aplinka**

Saugokite priemonę nuo koroziją sukeliančių medžiagų, pvz., rūgščių, pramoninių ploviklių, baliklio arba chloro.

Kremus ir losjonus su šia priemone reikia naudoti atsargiai, nes jos gali užteršti vožtuvą.

Gaminys yra atsparus vandeniui iki 1 metro gylyje. Panaudoję aplinkoje, kurioje yra abrazyvinių medžiagų, pvz., smėlio ar žvyro, kruopščiai nuskalaukite gėlu vandeniu, kad išvengtumėte priemonės spartesnio dėvėjimosi arba pažeidimo. Kruopščiai nuskalaukite panaudoję sūriame arba chlorintame vandenyje.

Naudokite tik nuo  $-15\text{ }^{\circ}\text{C}$  iki  $50\text{ }^{\circ}\text{C}$  temperatūroje.



Tinkama panardinti

## 7 Pritaikymo patarimai

*Nurodymai šiame skyriuje skirti tik gydytojui.*

Požymis	Sprendimas
Priemonė neišlaiko vakuumo	<ol style="list-style-type: none"><li>1. Patikrinkite, ar vidinė vožtuvo dalis patikimai įtvirtinta bigės ėmiklyje.</li><li>2. Patikrinkite, ar vožtuvo korpusas tinkamai įstatytas į dūbą.</li><li>3. Patikrinkite, ar sandarinimo žiedas tinkamai uždėtas vidinės vožtuvo dalies išorėje.</li><li>4. Išmontuokite ir išvalykite vožtuvą.</li></ol>

Apsvarstykite, kuri vožtuvo vieta galutiniame bigės ėmiklyje tiktų konkrečiam naudotojui. Dauguma naudotojų pageidauja, kad vožtuvas būtų distomedialinėje, šiek tiek priekinėje vietoje išilgai ilgojo pritraukiamojo raumens.



## 8 Surinkimo instrukcijos

Nurodymai šiame skyriuje skirti tik gydytojui.

**1**

1. Padarykite gipso liejimo formą plokščią vožtuvo montavimo vietoje.

2. Užmaukite bigės kojinę ir latekso kūgį ant liejimo formos.

3. Nustatykite įdubos formavimo disko vietą ir pritvirtinkite jį dvipuse lipniaja juostele.

**2**

1. Sudarykite pirmąjį vakuumą, kad suformuotumėte kojinę ir kūgį ant liejimo formos, tada nustatykite vožtuvo korpusą į reikiamą padėtį naudodami dvipusę lipniąją juostelę.

2. Įdėkite „Plastazote“ į vožtuvo korpusą taip, kad neuždengtumėte 4 alsuoklio skylių.

3. Vožtuvo korpuso viduje ir išorėje pradurkite lateksą.

4. Sandarinimo žiedą reikia atsargiai ištempus uždėti (ne užritinti) ant korpuso įrantos.

**3**

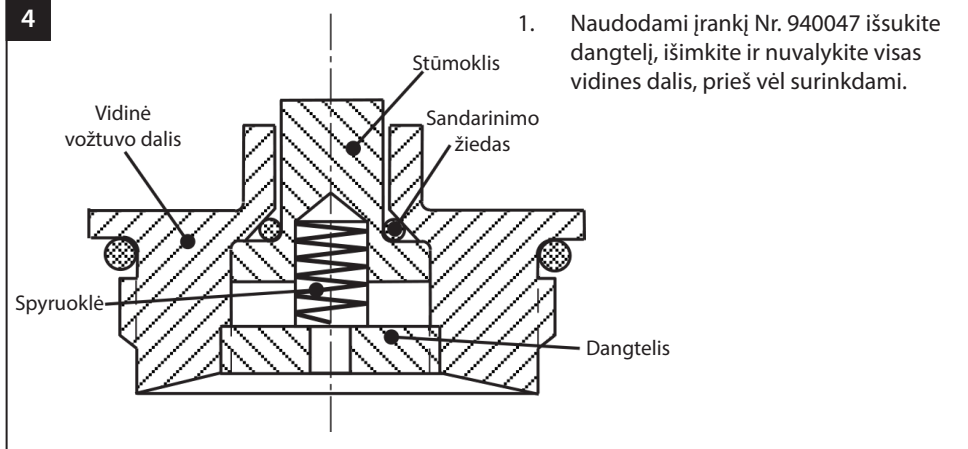
1. Apdenkite bigės ėmiklį, jei reikia, sumažinkite apimtį, kad būtų galima pagaminti išorinį bigės ėmiklį. Apriškite vidinę vožtuvo dalį, kad tinkamai užsandarintumėte vidinės vožtuvo dalies ir bigės ėmiklio sandūrą.

2. Išgręžkite 6 mm skylę vožtuvo korpuso centre, įkiškite oro vamzdelį ir nuimkite bigės ėmiklį nuo liejimo formos.

3. Pašalinkite medžiagos perteklių nuo vožtuvo korpuso, kaip parodyta (lygiai su korpusu), ir išimkite „Plastazone“ kamštį. Įsukite vidinės vožtuvo dalies mazgą.

4. Pacientui būtina duoti vožtuvo raktą.

4



## 9 Techniniai duomenys

Dalies Nr.	099132 (19 mm skersmens anga) 099134 (24 mm skersmens anga)
Darbinės ir laikymo temperatūros diapazonas	nuo -15 °C iki 50 °C
Komponento svoris	27 g
Mobilumo lygis	1-4

## 10 Informacija apie užsakymą

### Dalies numeris

099132 (19 mm skersmens anga)

Atsarginės dalys	
Aprašas	Dalies numeris
Pacientui skirtas vožtuvo raktas	940046
Vidinės vožtuvo dalies mazgas	099232
Sandarinimo žiedas	924137
Vožtuvo korpusas	093203
Įdubos formavimo diskas	093205

### Dalies numeris

099134 (24 mm skersmens anga)

Atsarginės dalys	
Aprašas	Dalies numeris
Pacientui skirtas vožtuvo raktas	940046
Vidinės vožtuvo dalies mazgas	099334
Sandarinimo žiedas	924142
Vožtuvo korpusas	093402
Įdubos formavimo diskas	093403

Įrankiai (skirti 099132 ir 099134)

Aprašas	Dalies numeris
Vožtuvo raktas	940047

## Atsakomybė

Gamintojas rekomenduoja naudoti priemonę tik nurodytomis sąlygomis ir numatytais tikslais. Priemonę būtina prižiūrėti vadovaujantis kartu su ja pateikta naudojimo instrukcija. Gamintojas neatsako už jokiais neigiamas pasekmes, kurias sukėlė gamintojo nepatvirtinti komponentų deriniai.

## CE atitiktis

Šis gaminys atitinka Europos reglamento (ES) 2017/745 dėl medicinos priemonių reikalavimus. Vadovaujantis klasifikavimo taisyklėmis, nurodytomis reglamento VIII priede, šis gaminys priskiriamas I klasės priemonėms. ES atitikties deklaraciją galima atsisiųsti šioje svetainėje: [www.blatchford.co.uk](http://www.blatchford.co.uk)



Medicinos priemonė



Vienas pacientas –  
daugkartinis naudojimas

## Suderinamumas

Derinimas su „Blatchford“ gaminiais patvirtintas remiantis bandymais, įskaitant konstrukcijos bandymą, atliktais pagal susijusius standartus ir Medicinos priemonių reglamentą (MPR), matmenų suderinamumu ir stebimomis eksploatacinėmis savybėmis.

Derinimas su alternatyviais CE ženklų pažymėtais gaminiais turi būti atliekamas atsižvelgiant į gydytojo atliktą dokumentuotą vietinį rizikos vertinimą.

## Garantija

Priemonei suteikiama 24 mėnesių garantija.

Naudotojas turi žinoti, kad dėl pakeitimų ar modifikacijų, kurie nėra aiškiai patvirtinti, gali būti panaikinta garantija, naudojimo licencijos ir išimtis.

Minėta pastaba priklauso nuo rinkos; išsamesnės informacijos teiraukitės vietos atstovo.

Dabartinį visą garantijos pareiškimą žr. „Blatchford“ svetainėje.

## Pranešimas apie rimtus incidentus

Jei mažai tikėtina atveju įvyktų rimtas incidentas, susijęs su šia priemone, apie jį reikia pranešti gamintojui ir kompetentingai nacionalinei institucijai.

## Su aplinkosauga susiję aspektai

Šis gaminys pagamintas iš perdirbamų medžiagų. Kai įmanoma, komponentus reikia atiduoti perdirbti pagal vietos atliekų tvarkymo reglamentus.

## Pakuotės etiketės išsaugojimas

Gydytojui rekomenduojama išsaugoti pakuotės etiketę kaip pateiktos priemonės įrodymą.

## Prekių ženklų patvirtinimo informacija

„Blatchford Products Limited“ registruotieji prekių ženklai.

## Registruotas gamintojo adresas

Blatchford Products Limited, Lister Road, Basingstoke RG22 4AH, UK.

Sisukord .....	101
1 Kirjeldus ja kasutusotstarve .....	102
2 Ohutusteave.....	103
3 Konstruksioon .....	104
4 Otstarve .....	105
5 Hooldus.....	105
6 Kasutuspiirangud.....	106
7 Sobitamisinõuanded.....	107
8 Monteerimisjuhised .....	108
9 Tehnilised andmed .....	109
10 Tellimisteave.....	110

# 1 Kirjeldus ja kasutusotstarve

Kui pole öeldud teisiti, on käesolev kasutusjuhend mõeldud proteesimeistrile ja kasutajale.

Termin *seade* viitab käesolevas kasutusjuhendis transfemoraalse jäiga hülsi vaakumklapi komplektile.

Lugege kasutusjuhend tervenisti läbi ja tehke see endale selgeks. Pöörake erilist tähelepanu ohutusteabele ja hooldusjuhistele.

## Kasutamine

Seade on mõeldud kasutamiseks üksnes osana transfemoraalsest alajäsemeproteesist.

Proteesi vaakumklapp, mis on mõeldud kasutamiseks termoplastist valmistatud jäikades vaakumhülssides.

Konstruksioon vastab Blatchfordi hülsi valmistamise soovitudele.

Ette nähtud kasutamiseks ainult ühel patsiendil.

## Omadused

- Hoiab vaakumit hülsi sees.
- Keskmise nupu vajutamine võimaldab käsitsi õhu väljutamist või sisestamist, et niimoodi hülsi sees olevat vaakumit reguleerida.
- Keermestatud klapisüdamiku eemaldamine hõlbustab pealepanekut/äravõtmist.

## Aktiivsusgrupp

Seade sobib aktiivsusgruppidele 1–4; järgida tuleb kehakaalu piiranguid, vt Tehnilised andmed jaotises 9.

Loomulikult on erandeid ja hoolimata meie soovitudest tuleb alati kaaluda iga konkreetse olukorra individuaalseid asjaolusid, kuid iga otsuse taga peab olema selge ja ammendav põhjendus.

### Aktiivsusgrupp 1

Patsient on suuteline või võimeline kasutama proteesi liikumiseks või kõndimiseks tasasel pinnal muutumatu kõnnikiirusega. Iseloomustab patsienti, kes suudab kõndida vaid lühikeste sammudega või aeglase kõnnikiirusega.

### Aktiivsusgrupp 2

Patsient on võimeline või potentsiaalselt võimeline kõndima ning iseseisvalt ületama madalamaid igapäevasest keskkonnast tulenevaid takistusi (äärekivid, trepid või ebatasased pinnad). Iseloomustab patsienti, kes suudab kõndida lühiajaliselt kiirema tempoga.

### Aktiivsusgrupp 3

Patsient on suuteline või võimeline kõndima muutuva kõnnikiirusega.

Iseloomustab patsienti, kes on suuteline kõndima ka kiire kõnnikiirusega, ületama enamikku igapäevasest keskkonnast tulenevatest takistustest ning võib tegeleda kutse-, teraapia- või treeningtegevustega, mis seavad proteesile lihtsalt liikumise abistamisest suuremad nõudmised.

### Aktiivsusgrupp 4

Patsient on suuteline või võimeline kõndima proteesiga viisil, mis ületab elementaarseid kõndimisotskusi ning nõuab suuremat löögi- või pingetaluvust või energiataset. Iseloomustab lapse, aktiivse täiskasvanu või sportlase proteetilisi vajadusi.

## Vastunäidustused

- Seade ei sobi kasutamiseks elastsest materjalist hülsiga.
- Kasutajal peab olema piisav tasakaalutunnetus, käteosavus ja kognitiivne võimekus seadme kasutamiseks pealepanekul/äravõtmisel ning ta peab aru saama, kuidas seadet kasutatakse.
- Kehva käte või kognitiivse funktsiooniga kasutajale võib seadme pealepanek, kasutamine ja puhastamine olla keeruline.
- Halb hügieen
- Seadet ei tohi kasutada hülsisidega, mis ei istu täielikult kõndi vastas.

## Kliiniline kasu

- Võimaldab ühesuunalise süsteemi kaudu proteesi hülsist õhu väljutamist, et hüls tihedalt kõndi vastu istuks.
- Võimaldab käsitsi õhu väljutamist/sisenemist reguleerida vastavalt erinevatele tegevustele ja nõudmistele.

---

## 2 Ohutusteave



**Selle hoiatussümboliga on esile tõstetud oluline ohutusteave, mida tuleb hoolikalt järgida.**



Kui seadme omadused või talitlus muutuvad (nt piiratud või katkendlik liikumine, ebatavalised helid või vaakumi kadu), tuleks sellest viivitamata teenusepakkujale teada anda.



Trepist alla kõndides hoidke kinni käsipuust (ja alati ka muudel juhtudel, kui see on olemas).



Vältige kokkupuudet eriti kõrge ja/või madala temperatuuriga.



Seade ei sobi kasutamiseks ekstreemspordis, jooksu- ega jalgrattavõistlustel, jää- ja lumespordis, eriti järskuldel kallakutel ega eriti järskuldel treppidel. Mis tahes sellisteks tegevusteks kasutamine on kasutaja enda riisikol. Harrastuslik jalgrattasõit on lubatud.



Olge alati teadlik sõrmede muljumise ohust.



Seadme kokkupaneku, hooldamise ja parandamisega seotud töid tohib teha ainult asjakohase kvalifikatsiooniga proteesimeister.



Kasutaja ei tohi seadme seadistust ise reguleerida ega muuta.



Kui kasutaja seisund muutub, peaks ta sellest viivitamatult proteesimeistrile teada andma.



Sõiduki juhtimisel peab sõidukile olema paigaldatud asjaomane invavarustus. Iga mootorsõiduki juht on kohustatud järgima talle kehtivat liiklusseadust.



Seade talub pikaajalist vettekastmist ning seda võib kasta ainult magevette. Seadme vees kasutamisel järgige kindlasti tingimusi, mis on toodud jaotises *Kasutuspiirangud*.

### 3 Konstruksioon

#### Peamised osad (099132)

- Süvistatav ketas Kloropreenkummi
- Klapi väliskorpus Nailon
- O-rõngas Silikoon
- Klapisüdamiku koost Atsetaalhomopolümeer
- Patsiendi klapivõti Atsetaalhomopolümeer või nailon

#### Seadme osad





---

## 4 Otstarve

Seade võimaldab säilitada proteesi hülsi sees vaakumit. Seadme keskmise nupu abil saab vaakumit ja õhu väljutamist käsitsi reguleerida. Seadme eemaldatav klapisüdamik teeb hülsi pealepaneku (kõndile tõmbamise) lihtsamaks.

---

## 5 Hooldus

Seadet tuleb regulaarselt visuaalselt kontrollida.

Teatage kõigist seadme omaduste muutustest proteesimeistrile/teenusepakkujale.

Sellised omaduste muutused võivad olla näiteks järgmised.

- Vaakumi kadu
- Ebatavaline heli
- Osaline või täielik kontrolli/ühenduse kaotamine
- Kõndi seisundi halvenemine/muutus
- Kõndi pehmekoe kahjustused
- Seadme omaduste muutus

Teavitage proteesimeistrilt/teenusepakkujat igasugustest kehakaalu ja/või aktiivsusgrupi muutumistest.

### Seadme puhastamine

Seade on integreeritud proteesi hülsi sisse, mida tuleks puhastada igapäevaselt, et vältida bakterite paljunemist. Käidelge hülsi ja seadet ettevaatlikult, et vältida saastumist tolmu, puru jt võõrkehadega, mis võiks põhjustada nahaärritust. Kasutage välispindade puhastamiseks niisket lappi ja pehmetoimelist seepi. Ärge kasutage tugevatoimelisi puhastusvahendeid.

Laske enne kasutamist täielikult kuivada.

### Kõndi puhastamine

1. Kontrollige kõnti enne ja pärast jäsemeproteesi kasutamist või vähemalt kord päevas. Kõndi seisundi halvenemisest tuleks teatada proteesimeistrile. Kõndi pehmekoe kahjustuste märkamisel küsige nõu proteesimeistrilt.
2. Puhastage nahka iga päev lõhnaaineteta neutraalse pH-ga seebiga ning loputage nahka puhta veega, et kõik jäägid eemaldada.
3. Kuivatage kõnt.
4. Kandke kreemi kuivale nahale vastavalt proteesimeistri soovitudele.
5. Nahakahjustused või lahtised haavad tuleb nõuetekohaselt ja sobivalt siduda, et vältida vahetut kontakti seadmega.

### **Käesoleva jaotise ülejäänud juhised on mõeldud ainult proteesimeistrile.**

Neid hooldustöid võib teha ainult pädev spetsialist (proteesimeister või asjakohase väljaõppega tehnik).

Järgmised korralise hoolduse toimingud tuleb teha vähemalt kord aastas.

- Kontrollige regulaarselt O-rõnga seisukorda.
- Veenduge, et seade töötab õigesti ning tõrkeotsingul juhinduge jaotisest *Sobitamisinõuanded*.

---

## 6 Kasutuspiirangud

### **Kavandatud kasutisiga**

Koostada tuleks kohalik riskianalüüs, mis arvestab aktiivsust ja kasutust.

### **Raskuste tõstmine**

Kasutaja kehakaal ja aktiivsus peab jääma nimetatud piiridesse.

Kasutajale lubatud raskuste tõstmise piirid peaksid põhinema kohalikul riskianalüüsil.

### **Keskkond**

Ärge laske seadmel puutuda kokku korrodeerivate ainetega (nt happed, tööstuslikud pesuained, pleegiti, kloor).

Kreemide ja piimade kasutamisel selle seadmega tuleks olla ettevaatlik, sest need võivad klapi ummistada.

Seade on veekindel kuni 1 m sügavusel. Abrasiivses (nt liiva või kruusa sisaldavas) keskkonnas kasutamise järel loputage põhjalikult puhta veega, et vältida seadme kulumist või kahjustamist. Loputage põhjalikult puhta veega pärast kasutamist mere- või kloorivees.

Mõeldud kasutamiseks ainult temperatuurivahemikus –15 °C kuni 50 °C.



Lubatud vette kasta

## 7 Sobitamisinõuanded

*Käesoleva jaotise juhised on mõeldud ainult proteesimeistrile.*

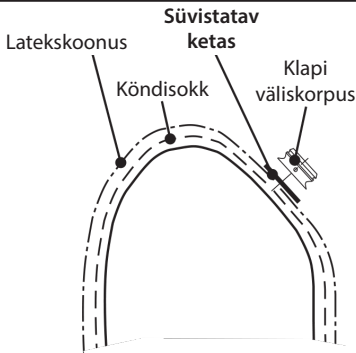
Sümptom	Lahendus
Seade ei suuda vaakumit hoida.	<ol style="list-style-type: none"><li>1. Veenduge, et klapisüdamik on kindlalt hülsi sisse keeratud.</li><li>2. Veenduge, et klapi väliskorpus istub õigesti süvendis.</li><li>3. Veenduge, et O-rõngas on õigesti klapisüdamikust väljaspool.</li><li>4. Võtke klapp lahti ja puhastage.</li></ol>

Klapile hüsil asukoha valimisel arvestage konkreetse kasutaja ainulaadseid vajadusi. Enamik kasutajatest eelistab klapi paiknemist distomediaalselt ja veidi anterioorselt, kus see jääb pika lähendajalihasega samale joonele.

## 8 Monteerimisjuhised

Käesoleva jaotise juhised on mõeldud ainult proteesimeistrile.

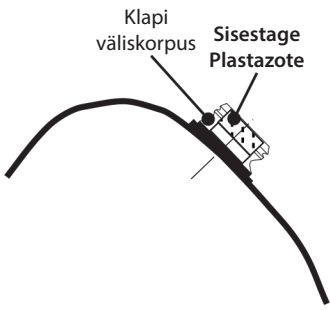
**1**



Latekskoonus  
Kõndisokk  
Süvistatav ketas  
Klapi väliskorpus

1. Tasandage kipsist valandil klapi paigalduskoht lamedaks.
2. Tõmmake kõndisokk ja latekskoonus valandile.
3. Fikseerige süvistatav ketas kahepoolse teibi abil paigalduskohta.

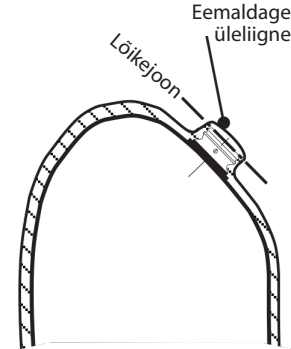
**2**



Klapi väliskorpus  
Sisestage Plastazote  
O-rõngas

1. Vaakumvormige esimest korda, et sokk ja koonus valandile vormida, ja fikseerige seejärel klapi väliskorpus kahepoolse teibi abil paigalduskohta.
2. Sisestage klapi väliskorpusesse Plastazote'ist kork, kuid ärge blokeerige 4 õhuava.
3. Torgake paigalduskoha juures lateksisse augud (nii klapi väliskorpuse sees kui ka väljas).
4. O-rõngas tuleb ettevaatlikult laiali venitada ning korpusel olevasse soonde paigutada (mitte rullida).

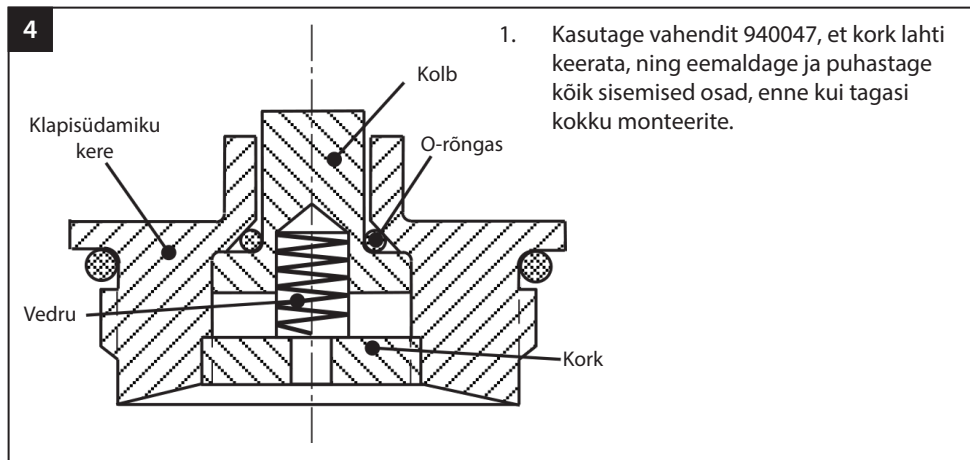
**3**



Lõikejoon  
Eemaldage üleliigne

1. Tõmmake hülsimaterjal valandile ja vaakumvormige hüls (vajaduse korral võib materjali veidi eemaldada, kui see on välishülsi valmistamiseks vajalik). Siduge materjal kinni ümber klapi väliskorpuse, et tagada hea ühendus klapi väliskorpuse ja hülsi vahel.
2. Puurige 6 mm auk läbi klapi väliskorpuse tsentri, sisestage õhuvoolik ja eemaldage hüls valandilt.
3. Eemaldage üleliigne materjal klapi väliskorpuse kohalt, nagu näidatud illustratsioonil (väliskorpusega tasa), ja eemaldage Plastazone'ist kork. Keerake sisse klapisüdamik.
4. Veenduge, et patsient saab klapivõtme.

4



## 9 Tehnilised andmed

Tootekood	099132 (19 mm ø ava) 099134 (24 mm ø ava)
Kasutamise- ja hoiustamistemperatuur:	-15 °C kuni 50 °C
Komponendi mass:	27 g
Aktiivsusgrupp:	1-4

# 10 Tellimisteave

## Tootekood

099132 (19 mm ø ava)

Varuosad	
Kirjeldus	Tootekood
Patsiendi klapiivõti	940046
Klapisüdamiku koost	099232
O-rõngas	924137
Klapi väliskorpus	093203
Süvistatav ketas	093205

## Tootekood

099134 (24 mm ø ava)

Varuosad	
Kirjeldus	Tootekood
Patsiendi klapiivõti	940046
Klapisüdamiku koost	099334
O-rõngas	924142
Klapi väliskorpus	093402
Süvistatav ketas	093403

Tööriistad (nii 099132 kui ka 099134 jaoks)

Kirjeldus	Tootekood
Klapi mutrivõti	940047

## Vastutus

Tootja soovib kasutada seadet üksnes nimetatud tingimustes ja kasutusotstarbel. Seadet tuleb hooldada kooskõlas seadme komplektis oleva kasutusjuhendiga. Tootja ei vastuta mingisuguste kõrvaltoimete eest, mis on põhjustatud komponentide kombinatsioonist, mida tootja pole heaks kiitnud.

## CE-vastavus

Toode on kooskõlas Euroopa meditsiiniseadmete määruse EL 2017/745 nõuetega. Toode on liigitatud I klassi seadmeks vastavalt määruse VIII lisas toodud liigitamisreeglitele. Euroopa Liidu vastavusdeklaratsiooni saate alla laadida järgmiselt aadressilt: [www.blatchford.co.uk](http://www.blatchford.co.uk)



Meditsiiniseade



Üks patsient – mitu kasutuskorda

## Ühilduvus

Kasutamine koos Blatchfordi toodetega on heaks kiidetud, tuginedes kooskõlas asjaomaste standardite ja meditsiiniseadmete direktiiviga tehtud katsetele (sh konstruktsioonikatse, mõõtmete ühilduvus ja toimivuse jälgimine praktikas).

Kasutamine koos mõne teise CE-märgisega tootega nõuab eelnevat dokumenteeritud kohalikku riskianalüüsi proteesimeistri poolt.

## Garantii

Seadmel on 24-kuuline garantii.

Kasutaja peab olema teadlik sellest, et muudatused või täiendused, milleks pole saadud selgesõnalist luba, võivad garantii, kasutusload ja vabastused kehtetuks muuta.

Eeltoodu võib riigiti erineda. Küsige lisateavet kohalikul müügiesindajalt.

Kõiki kehtivaid garantiitingimusi vt Blatchfordi veebisaidilt.

## Ohujuhtumitest teatamine

Seadmega seotud ohujuhtumitest, mis on äärmiselt ebatõenäolised, tuleks teavitada tootjat ja oma riigi pädevat asutust.

## Keskkonnaaspektid

Toode on valmistatud ringlussevõetavatest materjalidest. Kui võimalik, tuleks komponendid kooskõlas kohalike jäätmekäitluseeskirjadega ringlusse võtta.

## Pakendi etiketi säilitamine

Proteesimeister peaks pakendi etiketi alles hoidma ning säilitama seda seadme tarnimise dokumendina.

## Kaubamärgid

Ettevõtte Blatchford Products Limited registreeritud kaubamärgid.

## Tootja registriaadress

Blatchford Products Limited, Lister Road, Basingstoke RG22 4AH, Ühendkuningriik.

[blatchford.co.uk/distributors](http://blatchford.co.uk/distributors)

**Blatchford Products Ltd.**

Unit D Antura  
Kingsland Business Park  
Basingstoke  
RG24 8PZ  
UNITED KINGDOM  
Tel: +44 (0) 1256 316600  
Fax: +44 (0) 1256 316710  
Email: [customer.service@blatchford.co.uk](mailto:customer.service@blatchford.co.uk)  
[www.blatchford.co.uk](http://www.blatchford.co.uk)

**Blatchford Inc.**

1031 Byers Road  
Miamisburg  
Ohio 45342  
USA  
Tel: +1 (0) 800 548 3534  
Fax: +1 (0) 800 929 3636  
Email: [info@blatchfordus.com](mailto:info@blatchfordus.com)  
[www.blatchfordus.com](http://www.blatchfordus.com)

**Blatchford Europe GmbH**

Am Prime-Parc 4  
65479 Raunheim  
GERMANY  
Tel: +49 (0) 9221 87808 0  
Fax: +49 (0) 9221/87808 60  
Email: [info@blatchford.de](mailto:info@blatchford.de)  
[www.blatchford.de](http://www.blatchford.de)

Email: [contact@blatchford.fr](mailto:contact@blatchford.fr)  
[www.blatchford.fr](http://www.blatchford.fr)

**Endolite India Ltd.**

A4 Naraina Industrial Area  
Phase - 1  
New Delhi  
INDIA – 110028  
Tel: +91 (011) 45689955  
Fax: +91 (011) 25891543  
Email: [endolite@vsnl.com](mailto:endolite@vsnl.com)  
[www.endoliteindia.com](http://www.endoliteindia.com)

**Ortopro AS**

Hardangervegen 72  
Seksjon 17  
5224 Nesttun  
NORWAY  
Tel: +47 (0) 55 91 88 60  
Email: [post@ortopro.no](mailto:post@ortopro.no)  
[www.ortopro.no](http://www.ortopro.no)



Blatchford Europe GmbH  
Am Prime-Parc 4  
65479 Raunheim Germany

