

# Elite<sup>2</sup>

## Instructions for Use

EL22L1S–EL30R9S  
EL22L1SD–EL30R9SD

EN	Instructions for Use	2
SL	Navodila za uporabo	16
BG	Инструкции за употреба	30
HR	Upute za uporabu	44
SK	Návod na použitie	58
HU	Használati útmutató	72
EL	Οδηγίες χρήσης	86
LV	Lietošanas pamācība	100
LT	Naudojimo instrukcija	114
ET	Kasutusjuhend	128

# Contents



Contents .....	2
1 Description and Intended Purpose .....	3
2 Safety Information .....	5
3 Construction .....	6
4 Function.....	7
5 Maintenance .....	7
6 Limitations on Use .....	7
7 Bench Alignment.....	8
8 Fitting Advice.....	9
9 Dis-assembly Instructions .....	10
10 Assembly Instructions .....	11
11 Technical Data .....	13
12 Ordering Information .....	14

---

# 1 Description and Intended Purpose

These instructions for use are for the practitioner.

The term *device* is used throughout these instructions for use to refer to Elite2.

## **Application**

This device is to be used exclusively as part of a lower limb prosthesis.

Intended for a single user.

A high-energy-return foot. The independent heel and toe springs provide axial deflection. The split toe provides good ground compliance.

## **Activity Level**

This device is recommended for users that have the potential to achieve Activity Level 3 or 4. Of course there are exceptions and in our recommendation we want to allow for unique, individual circumstances and any such decision should be made with sound and thorough justification.

### **Activity Level 1**

Has the ability or potential to use a prosthesis for transfers or ambulation on level surfaces at fixed cadence. Typical of the limited and unlimited household ambulator.

### **Activity Level 2**

Has the ability or potential for ambulation with the ability to traverse low-level environmental barriers such as curbs, stairs, or uneven surfaces. Typical of the limited community ambulator.

### **Activity Level 3**

Has the ability or potential for ambulation with variable cadence. Typical of the community ambulator who has the ability to traverse most environmental barriers and may have vocational, therapeutic, or exercise activity that demands prosthetic utilization beyond simple locomotion.

### **Activity Level 4**

Has the ability or potential for prosthetic ambulation that exceeds basic ambulation skills, exhibiting high impact, stress, or energy levels. Typical of the prosthetic demands of the child, active adult, or athlete.

## Contraindications

This device might not be suitable for Activity Level 1 individuals or for competitive sports events, as these types of users will be better served by a specially designed prosthesis optimized for their needs.

Ensure that the user has understood all instructions for use, drawing particular attention to the section regarding maintenance.

## Clinical Benefits

- Vertical compliance for shock-absorption
- High levels of mobility for active users
- Improved prosthetic side push-off
- Increased walking speed

## Spring Set Selection

	User Weight [kg (lbs)]									
	44-52 (100-115)	53-59 (116-130)	60-68 (131-150)	69-77 (151-170)	78-88 (171-195)	89-100 (196-220)	101-116 (221-255)	117-130 (256-285)	131-147 (286-325)	148-166 (326-365)
Impact	Activity Level 3 : Foot Spring Set									
Low	1	1	2	3	4	5	6	7	8	9
	Activity Level 4 : Foot Spring Set									
Mod	1	2	3	4	5	6	7	8	9	
High	2	3	4	5	6	7	8	9		

Low Daily walking and occasional sports such as golf and hiking

Moderate Aggressive walking, frequent or daily sports such as jogging

High Daily activities such as distance running, climbing, lifting and carrying heavy objects for vocational purposes

### Important:

**For higher impact users, do not exceed the weight limit for individual springs.**

Note... If in doubt choosing between two categories, choose the higher rate spring set.

**Foot Spring set recommendations shown are for transtibial users.**

**For transfemoral users we suggest selecting a spring set one category lower, refer to Section 8 *Fitting Advice*, to ensure satisfactory function and range of movement**

---

## 2 Safety Information



This warning symbol highlights important safety information which must be followed carefully.



Any changes in the performance or function of the limb e.g. restricted movement, non-smooth motion or unusual noises should be immediately reported to your service provider.



Always use a hand rail when descending stairs and at any other time if available.



The device is not suitable for extreme sports, running or cycle racing, ice and snow sports, extreme slopes and steps. Any such activities undertaken are done so completely at the users' own risk. Recreational cycling is acceptable.



Assembly, maintenance and repair of the device must only be carried out by a suitably qualified clinician.



The user should contact their clinician if their condition changes.



Ensure only suitably retrofitted vehicles are used when driving. All persons are required to observe their respective driving laws when operating motor vehicles.

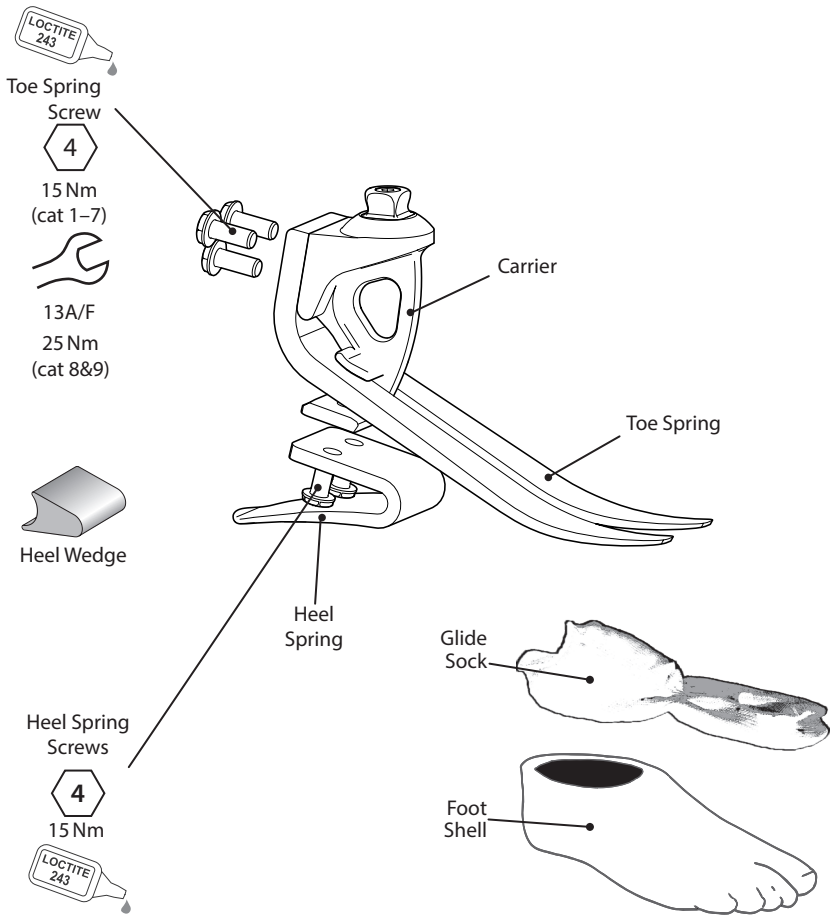


To minimise the risk of slipping and tripping, appropriate footwear that fits securely onto the footshell must be used at all times.

# 3 Construction

## Principal Parts:

- Carrier Assembly (aluminum/stainless steel/titanium)
- Heel & Toe Springs (e-Carbon)
- Spring Attachment Screws (titanium)
- Glide Sock (UHM PE)
- Foot Shell (PU)



---

## 4 Function

This device comprises an e-carbon toe and independent heel spring.

Heel and toe springs are attached to the carrier using titanium screws. The foot is wrapped in a UHM PE sock which is in turn surrounded by a PU foot shell.

---

## 5 Maintenance

Maintenance must be carried out by competent personnel.

We recommend the following annual maintenance:

- Remove the foot shell and glide sock, check for damage or wear and replace if necessary.
- Check all screws for tightness, clean and reassemble as necessary.
- Check heel and toe springs for signs of delamination or wear and replace if necessary. Some minor surface damage may occur after a period of use, this does not affect the function or strength of the foot.

The user should be advised:

- Any changes in performance of this device must be reported to the practitioner e.g. reduced energy return or unusual noises.
- The practitioner must also be informed of any changes in body weight and/or activity level.

If this device is used for extreme activity, the maintenance level and interval should be reviewed and if required advice and technical support sought to plan a new maintenance schedule dependent upon the frequency and nature of the activity. This should be determined by a local risk assessment carried out by a suitably qualified individual.

The user should be advised that a regular visual check of the foot is recommended, signs of wear that may affect function should be reported to their service provider (e.g. significant wear or excessive discoloration from long term exposure to UV).

### Cleaning

Use a damp cloth and mild soap to clean outside surfaces, do not use aggressive cleansers.

---

## 6 Limitations on Use

### Intended Life

A local risk assessment should be carried out based upon activity and usage.

### Lifting Loads

User weight and activity is governed by the stated limits.

Load carrying by the user should be based on a local risk assessment.

### Environment

This device is waterproof to a maximum depth of 1 meter.

Thoroughly rinse this device with fresh water after use in abrasive environments such as those that may contain sand or grit, for example, to prevent wear or damage to moving parts.

Thoroughly rinse with fresh water after use in salt or chlorinated water.

Foot units must be adequately finished to prevent water ingress into the foot shell where possible. If water enters the foot shell, it should be inverted and dried before further use.

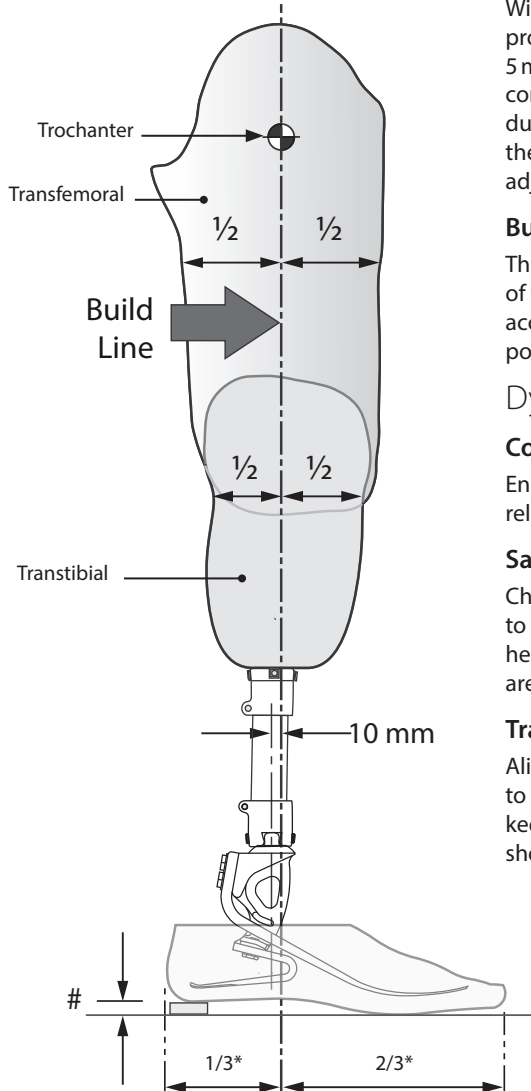
Exclusively for use between -15 °C and 50 °C.



Suitable for submersion

# 7 Bench Alignment

## 7.1 Static Alignment



### Setup length

With flexion, adduction and abduction properly accommodated, set the limb length 5 mm longer than the sound side to allow for compression and deflection of the foot springs during gait. This should be re-assessed once the dynamic trial commences and the length adjusted accordingly.

### Build Line

This should fall 10 mm anterior to the centre of the pyramid (with heel height properly accommodated). The socket should be positioned accordingly.

### Dynamic Alignment

#### Coronal Plane

Ensure that M-L thrust is minimal by adjusting relative positions of socket and foot.

#### Sagittal Plane

Check for smooth transition from heel strike to toe-off. Ensure also that when standing the heel and toe are evenly loaded and that both are touching the floor.

#### Transfemoral Alignment

Align trans-femoral components according to fitting instructions supplied with the knee, keeping the build line relative to the foot as shown.

# Allow for users own footwear

\* Approximate ratio



## 8 Fitting Advice

Spring sets are supplied as matched pairs i.e. the heel and toe spring are designed to work together to give smooth progression for most users.

### Heel Wedge

A heel wedge is supplied with the foot. Fitting the wedge will have the effect of stiffening the heel spring. These can be taped in place for trial. For permanent fitting, wedges should be adhered in place by application of Loctite 424 (926104) between the lower contacting surface of the heel and the wedge.

### Heel Stiffness

Progression throughout the stance phase should be smooth; heel function is key to this process:

- Too soft a heel or load line excessively posterior will result in sinking at heel strike and difficulty in getting over the toe.
- Too hard a heel or load line excessively anterior will result in a rapid progression through mid-stance or jarring at heel strike.

	Symptoms	Remedy
<b>Heel too soft</b>	<ul style="list-style-type: none"><li>• Sinking at heel strike</li><li>• Difficulty climbing over the toe (toe feels too hard)</li></ul>	<ol style="list-style-type: none"><li>1. Add heel wedge</li><li>2. Move socket anteriorly in relation to the foot (excess movement may result in drop off)</li><li>3. If 1 and 2 fail, fit a stiffer spring set</li></ol>
<b>Heel too hard</b>	<ul style="list-style-type: none"><li>• Rapid transition from heel strike through stance phase</li><li>• Difficulty in controlling heel action, foot jars into mid-stance</li><li>• Foot feels too rigid</li></ul>	<ol style="list-style-type: none"><li>1. Remove heel wedge (if fitted)</li><li>2. Move socket posteriorly in relation to foot</li><li>3. If 1 and 2 fail, fit softer spring set</li></ol>
<b>Toe/ Blade too soft</b>	<ul style="list-style-type: none"><li>• Rapid progression through mid-stance.</li><li>• 'Drop off' at higher Activity Levels</li></ul>	<ol style="list-style-type: none"><li>1. Move socket posteriorly in relation to foot</li><li>2. Plantarflex foot slightly - note: some re-alignment may be required</li></ol>

Please contact your supplier if it is not possible to achieve a smooth gait after following the advice above.

## 9 Dis-assembly Instructions



Use appropriate health and safety equipment at all times including extraction facilities.



Be aware of finger trap hazard at all times.

1



Carefully remove, with a knife, any foam cosmetics that may be adhered to the foot shell.

2



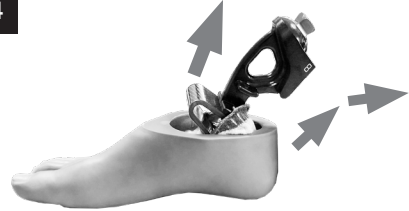
Remove securing screws from the carrier and pull the toe spring towards the rear of the foot.

3



Remove the toe spring to leave the carrier/heel spring assembly alone inside the foot shell.

4



Rotate the carrier/heel spring assembly toward the rear of the foot to dis-engage the spring from its location in the shell.

# 10 Assembly Instructions

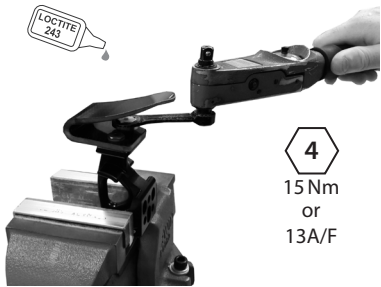
**1**



Carrier  
Heel spring

Assemble heel spring onto carrier as shown.

**2**




LOCTITE 243

4  
15 Nm  
or  
13A/F

Use special Allen wrench 940080, Torque spanner adaptor 940081 or 13A/F spanner 940273. Use Loctite 243 (926012) and torque to 15 Nm.

**3**



LOCTITE 243

Attach the toe spring to the carrier using Loctite 243 (926012) on the bolts.

1. For spring rates 1 to 7 use 4 A/F Allen wrench and torque to 15 Nm. Do not use external hex, this is reserved for loosening the bolt, if required.

2. For spring rates 8 and 9 use 13 A/F spanner and torque to 25 Nm.

**4**



Ensure correct spring set number is marked on left side of carrier. Use black marker to cover unwanted segments.

**5**



Glide Sock

Fit glide sock onto the toe spring, heel spring and carrier assembly as shown.

**6**



If a foam cosmesis is to be fitted, roughen top surface of foot shell to provide ideal bonding surface.

**7**

Toe spring location in foot shell

Slide whole assembly into foot shell. Ensure correct fit into toe spring slot.

**8**

Slide a metal shoe horn between heel spring and back of foot shell opening and lever the spring down into the foot shell.

**9**

30 mm below heel

Press heel spring into location in shell as shown. The shoe horn should be located approx. 30 mm below top surface of foot shell

**10**

heel spring location slot

Ensure heel spring's correct fit into location slot in foot shell.

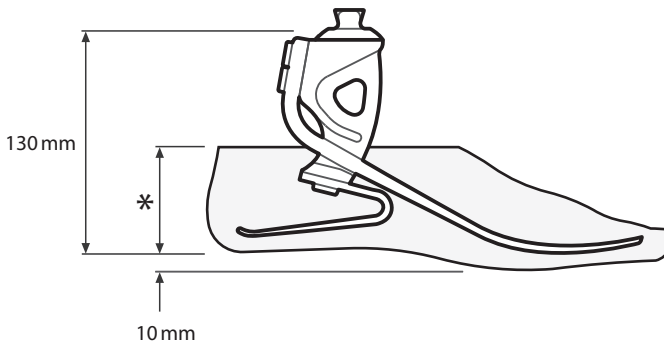
**11**

Bond foam cosmesis to top surface of the foot shell as shown using Thixofix adhesive (926204) or equivalent and shape to suit.

# 11 Technical Data

Operating and Storage Temperature Range:	-15 °C to 50 °C (5 °F to 122 °F)
Component Weight (size 26):	680 g (1 lb 7 oz)
Activity Level:	3–4
Maximum User Weight:	166 kg (365 lb)
Proximal Alignment Attachment:	Male Pyramid (Blatchford)
Range of Adjustment:	±7° Angular
Build Height: (See diagram below)	130 mm
Heel Height:	10 mm

## Fitting Length



\* Sizes  
22-26 = 65mm  
27-28 = 70mm  
29-30 = 75mm

# 12 Ordering Information

## Order Example

<b>EL</b>	<b>25</b>	<b>L</b>	<b>N</b>	<b>3</b>	<b>S</b>
	Size	Side (L/R)	Width* (N/W)	Spring Set Category	Sandal Toe

Available from size 22 to size 30:

EL22L1S to EL30R9S

EL22L1SD to EL30R9SD

(add 'D' for a dark tone foot shell)

e.g. EL25LN3S

\*Sizes 25–28 only. For all other sizes, omit the Width field.

## Spring Kit

Spring Kit	Foot Size			
	22-24	25-26	27-28	29-30
Set 1	539701S	539710S	539719S	Special order
Set 2	539702S	539711S	539720S	Special order
Set 3	539703S	539712S	539721S	539730S
Set 4	539704S	539713S	539722S	539731S
Set 5	539705S	539714S	539723S	539732S
Set 6	539706S	539715S	539724S	539733S
Set 7	539707S	539716S	539725S	539734S
Set 8	539708S	539717S	539726S	539735S
Set 9		539718S	539727S	539736S

## Foot Shell

(For dark add 'D')

Size/Side	Narrow	Wide
22L	539038S	-
22R	539039S	-
23L	539040S	-
23R	539041S	-
24L	539042S	-
24R	539043S	-
25L	539044SN	539044SW
25R	539045SN	539045SW
26L	539046SN	539046SW
26R	539047SN	539047SW
27L	539048SN	539048SW
27R	539049SN	539049SW
28L	539050SN	539050SW
28R	539051SN	539051SW
29L	-	539052S
29R	-	539053S
30L	-	539054S
30R	-	539055S

## Glide Sock

Sizes 22-24	531011
Sizes 25-30	532811

## Liability

The manufacturer recommends using the device only under the specified conditions and for the intended purposes. The device must be maintained according to the instructions for use supplied with the device. The manufacturer is not liable for any adverse outcome caused by any component combinations that were not authorized by them.

## CE Conformity

This product meets the requirements of the European Regulation EU 2017/745 for medical devices. This product has been classified as a class I device according to the classification rules outlined in Annex VIII of the regulation. The EU declaration of conformity certificate is available at the following internet address: [www.blatchford.co.uk](http://www.blatchford.co.uk)



Medical Device



Single Patient – multiple use

## Compatibility

Combination with Blatchford branded products is approved based on testing in accordance with relevant standards and the MDR including structural test, dimensional compatibility and monitored field performance.

Combination with alternative CE marked products must be carried out in view of a documented local risk assessment carried out by a Practitioner.

## Warranty

This device is warranted for 36 months - foot shell 12 months - glide sock 3 months.

The user should be aware that changes or modifications not expressly approved could void the warranty, operating licences and exemptions.

See Blatchford website for the current full warranty statement.

## Reporting of Serious Incidents

In the unlikely event of a serious incident occurring in relation to this device it should be reported to the manufacturer and your national competent authority.

## Environmental Aspects

Where possible the components should be recycled in accordance with local waste handling regulations.

## Retaining the Packaging Label

You are advised to keep the packaging label as a record of the device supplied.

## Manufacturer's Registered Address

Blatchford Products Limited, Lister Road, Basingstoke RG22 4AH.

## Trademark Acknowledgements

Elite Foot and Blatchford are registered trademarks of Blatchford Products Limited.

Vsebina.....	16
1 Opis in namen uporabe .....	17
2 Varnostne informacije .....	19
3 Konstrukcija.....	20
4 Delovanje .....	21
5 Vzdrževanje.....	21
6 Omejitve uporabe.....	21
7 Poravnost sestava.....	22
8 Nasvet za namestitev .....	23
9 Navodila za razstavljanje .....	24
10 Navodila za sestavljanje.....	25
11 Tehnični podatki .....	27
12 Podatki za naročanje.....	28



---

# 1 Opis in namen uporabe

Ta navodila za uporabo so predvidena za zdravnika.

Izraz *pripomoček* se v teh navodilih za uporabo uporablja za Elite2.

## Uporaba

Pripomoček je predviden izključno kot del proteze za spodnje okončine.

Predviden je za enega uporabnika.

Stopalo z visokim povratkom energije. Neodvisni vzmeti na peti in sprednjem delu stopala omogočata aksialni pregib. Deljeni veliki prst zagotavlja dobro prileganje tlom.

## Stopnja aktivnosti

Pripomoček je priporočen za uporabnike, ki imajo potencial doseči stopnjo aktivnosti 3 ali 4. Seveda pa obstajajo izjeme, zato pri našem priporočilu dopuščamo možnost edinstvenih, posameznih okoliščin, odločitev o tem pa je treba sprejeti na osnovi temeljite presoje.

### Stopnja aktivnosti 1

Ima sposobnost ali potencial uporabljati protezo za transferje ali premikanje po ravnih površinah z enakomernim korakom. Običajno omejeno in neomejeno pokretna oseba.

### Stopnja aktivnosti 2

Ima sposobnost ali potencial za premikanje s sposobnostjo premagovanja nizkih ovir, kot so robniki, stopnice ali neravne površine. Običajno je to omejeno pokretna oseba v javnosti.

### Stopnja aktivnosti 3

Ima sposobnost ali potencial za premikanje s spremenljivim korakom.

Običajno pokretna oseba, ki lahko premaga večino okoljskih ovir in morda opravlja poklicno, terapevtsko ali fizično aktivnost, ki zahteva uporabo proteze, ki presega zgolj preprosto gibanje.

### Stopnja aktivnosti 4

Ima sposobnost ali potencial za hojo s protezo, ki presega osnovne sposobnosti hoje, in je izpostavljena močnim udarcem, visokim obremenitvam ali visokim ravnem energije. Običajno za zahteve za protezo otroka, aktivne odrasle osebe ali športnika.

## Kontraindikacije

Ta pripomoček ni primeren za uporabnike s stopnjo aktivnosti 1 ali za vrhunske športne prireditve, saj morajo ti uporabniki uporabljati proteze, razvite posebej za njihove potrebe. Poskrbite, da uporabnik razume vsa navodila za uporabo in ga še posebej opozorite na poglavje o vzdrževanju.

## Klinične prednosti

- Navpično blaženje sunkov
- Visoke stopnje mobilnosti za aktivne uporabnike
- Izboljšan odziv na strani proteze
- Hitrejša hoja

## Izbor sklopa vzmeti

	Teža uporabnika [kg]									
	44-52	53-59	60-68	69-77	78-88	89-100	101-116	117-130	131-147	148-166
Sunkovita obremenitev	<b>Stopnja aktivnosti 3: Sklop stopalnih vzmeti</b>									
	nizka	1	1	2	3	4	5	6	7	8
zmerna	<b>Stopnja aktivnosti 4: Sklop stopalnih vzmeti</b>									
	zmerna	1	2	3	4	5	6	7	8	9
visoka	2	3	4	5	6	7	8	9		

Nizka Dnevna hoja in občasne športne aktivnosti, kot sta golf in pohodništvo.

Zmerna Agresivna hoja, pogosta ali dnevna športna aktivnost, kot je tek.

Visoka Dnevne aktivnosti, kot so tek na dolge razdalje, plezanje, dviganje in nošenje težkih predmetov pri izvajanju poklica.

## Pomembno:

**pri uporabnikih, izpostavljenih visokim sunkovitim obremenitvam, ne prekoračite omejitve teže za posamezne vzmeti.**

Opomba... Če ste v dvomih in ne veste, katero kategorijo izbrati, izberite sklop vzmeti z višjo stopnjo.

**Priporočila za sklope stopalnih vzmeti so prikazana za transtibialne uporabnike.**

**Pri transfemoralnih uporabnikih priporočamo, da izberete sklop vzmeti eno kategorijo nižje; glejte napotke za namestitev v poglavju 8 *Nasvet za namestitev*, da zagotovite ustrezno delovanje in razpon gibanja.**

## 2 Varnostne informacije



Ta opozorilni simbol poudarja pomembne varnostne informacije, ki jih je treba natančno upoštevati.



Morebitne spremembe v delovanju okončine, kot so npr. omejeno gibanje, zatikajoče gibanje ali neobičajni zvoki, je treba nemudoma javiti ponudniku storitve.



Pri hoji po stopnicah navzdol in vedno, ko je sicer mogoče, je treba uporabljati držala.



Pripomoček ni primeren za ekstremne športe, tekaške ali kolesarske dirke, športe na ledu in snegu ter za hojo po strminah in strmih stopnicah. Tovrstne aktivnosti uporabnik izvaja na lastno odgovornost. Rekreativno kolesarjenje je sprejemljivo.



Pripomoček lahko sestavi, vzdržuje in popravlja samo ustrezno usposobljen zdravnik.



Uporabniku naj se obrne na svojega zdravnika, če se njegovo stanje spremeni.



Poskrbeti je treba, da se za vožnjo uporabljajo samo ustrezno predelana vozila. Vse osebe morajo pri upravljanju motornih vozil upoštevati veljavne cestno-prometne predpise v svoji državi.

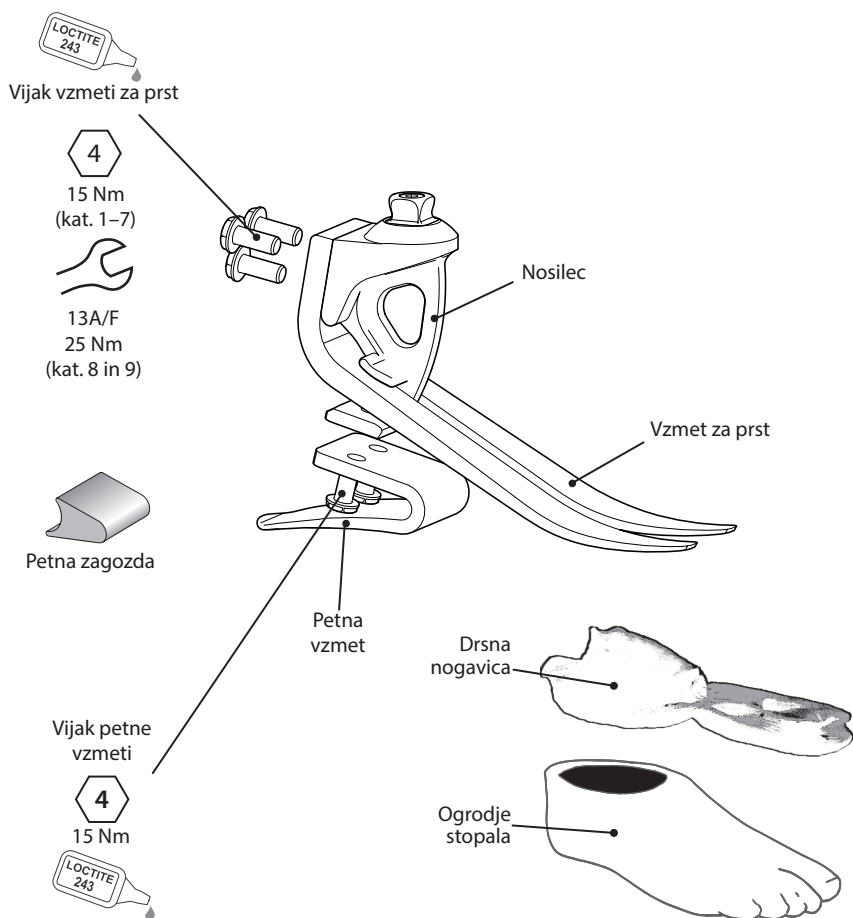


Za zmanjšanje nevarnosti zdrsa in spotika je treba vedno uporabljati ustrezno obutev, ki se dobro prilega na ogrodje stopala.

## 3 Konstrukcija

### Glavni deli:

- Nosilni sestav (aluminij/nerjaveče jeklo/titan)
- Petna vzmet in vzmet sprednjega dela stopala (e-karbon)
- Vijaki za pritrditev vzmeti (titan)
- Drsna nogavica (UHM PE)
- Ogradje stopala (PU)



---

## 4 Delovanje

Ta pripomoček je sestavljen iz e-karbonskega sprednjega dela stopala in samostojne petne vzmeti.

Petna vzmet in vzmet za prste sta pritrjeni na nosilni sestav z vijaki iz titana. Stopalo je ovito v nogavico iz UHM PE, ki je obdana z ogrodjem stopala iz poliuretana.

---

## 5 Vzdrževanje

Vzdrževanje lahko izvaja samo usposobljeno osebje.

Priporočamo naslednje letno vzdrževanje:

- Snemite ogrodje stopala in drsno nogavico ter ju pregledajte, če sta kje poškodovana ali obrabljena in ju po potrebi zamenjajte.
- Preverite, ali so vsi vijaki čvrsto pritrjeni in jih očistite ter po potrebi znova vstavite.
- Preglejte petno vzmet in vzmet za prst, če laminirani sloji odstopajo ali so obrabljani in jih po potrebi zamenjajte. Po določenem času uporabe se lahko pojavijo manjše površinske poškodbe, ki pa ne vplivajo na delovanje ali stabilnost stopala.

Uporabniku je treba svetovati naslednje:

- Morebitne spremembe v delovanju tega pripomočka, kot so npr. zmanjšani povratek energije ali neobičajni zvoki, je treba sporočiti zdravniku.
- Zdravnika je prav tako treba obvestiti o morebitnih spremembah v telesni teži in/ali stopnji aktivnosti.

Če se pripomoček uporablja za ekstremne aktivnosti, je treba preveriti raven in interval vzdrževanja ter se po potrebi posvetovati s tehnično podporo glede novega vzdrževalnega načrta na osnovi pogostosti in narave aktivnosti. To je treba določiti na osnovi lokalne ocene tveganja, ki jo mora opraviti ustrezno usposobljen posameznik.

Uporabniku je treba svetovati, da je stopalo priporočeno redno vizualno pregledovati in da je treba znake obrabe, ki lahko vplivajo na delovanje pripomočka, prijavitvi ponudniku storitve (npr. večja obraba ali prekomerno razbarvanje zaradi dolgotrajne izpostavljenosti UV-žarkom).

### Čiščenje

Z vlažno krpo in blagim milom očistite zunanje površine. Ne uporabljajte agresivnih čistil.

---

## 6 Omejitve uporabe

### Predvidena uporabna doba

Na osnovi aktivnosti in uporabe je treba opraviti lokalno oceno tveganja.

### Dviganje bremen

Glede na težo in aktivnost uporabnika veljajo navedene omejitve.

Pri prenašanju bremena mora uporabnik upoštevati lokalno oceno tveganja.

### Okolje

Pripomoček je vodotesen do globine največ 1 m.

Po uporabi v abrazivnih okoljih, kot so tista, ki vsebujejo pesek ali prod, je treba pripomoček temeljito sprati v sladki vodi, da preprečite obrabo ali poškodbo premikajočih se delov.

Pripomoček je prav tako treba temeljito sprati po uporabi v slani ali klorirani vodi.

Stopalne enote morajo biti ustrezno zaščitene, da se prepreči vdor vode v ogrodje stopala, kadar je to mogoče. Če voda prodre v ogrodje stopala, je treba stopalo pred ponovno uporabo obrniti navzven in posušiti.

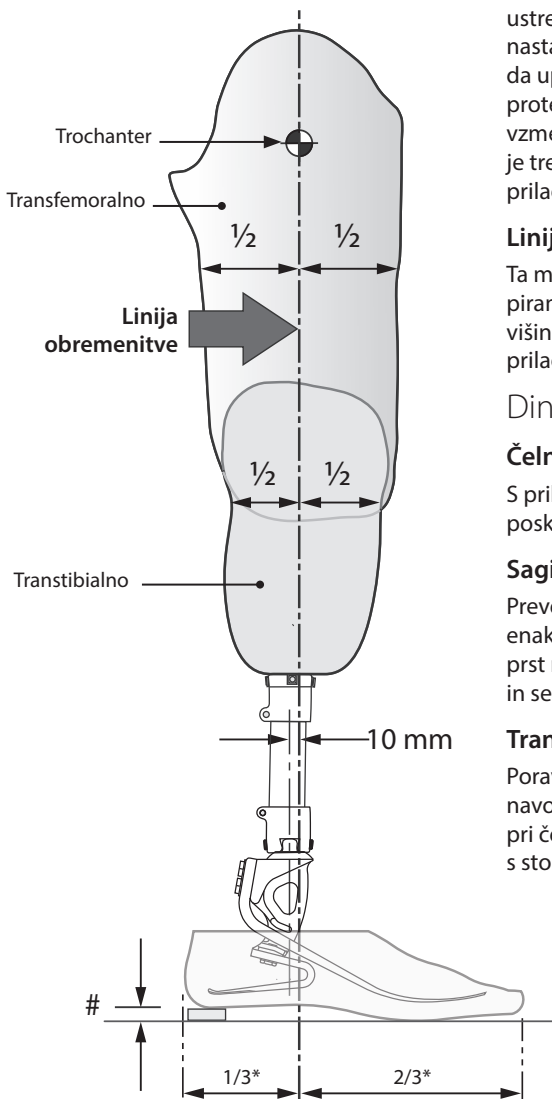
Samo za uporabo med -15 in 50 °C.



Primerno za potopitev v tekočine

## 7 Poravnanosť sestavy

### 7.1 Statična prilagoditev



#### Nastavitev dolžine

Ko ste fleksijo, krčenje in iztegovanje ustrezno prilagodili, lahko dolžino okončine nastavite 5 mm daljšo od zdrave okončine, da upoštevate kompresijo in defleksijo proteznega stopala ter aksialnih blažilnih vzmeti. Pred izvedbo dinamičnega pomerjanja je treba to znova preveriti in ustrezno prilagoditi dolžino.

#### Linija obremenitve

Ta mora potekati 10 mm anteriorno do sredine piramidnega adapterja (s pravilno nastavljenjo višino pete). Ležišče mora biti ustrezno prilagojeno.

#### Dinamična prilagoditev

##### Čelna ravnina

S prilagoditvijo položajev ležišča in stopala poskrbite, da bo premik M-L minimalen.

##### Sagitalna ravnina

Preverite, ali je prehod s pete na prste enakomeren. Prav tako preverite, ali sta peta in prst med stanjem enakomerno obremenjena in se oba dotikata tal.

##### Transfemorálna prilagoditev

Poravnajte transfemorálne dele skladno z navodili za nameščanje, priloženimi kolenu, pri čemer naj bo linija obremenitve poravnana s stopalom, kot je prikazano.

#Upoštevajte višino pete uporabnikove obutve.

\*Približno razmerje

## 8 Nasvet za namestitvev

Vzmeti so dobavljene v ujemajočih se parih, kar pomeni, da sta petna vzmet in vzmet za prste zasnovani za usklajeno medsebojno delovanje, ki uporabniku omogoča tekočo hojo.

### Petna zagozda

Stopalu je priložena petna zagozda. Namestitev zagozde vpliva na togost petne vzmeti. Pri pomerjanju jo lahko začasno pritrdite z lepilnim trakom. Pri trajni namestitvi je treba zagozde prilepiti z lepilom Loctite 424 (926104), ki ga nanesete med spodnjo stično površino pete in zagozdo.

### Togost pete

Potek faze stanja mora biti enakomeren, pri čemer je odločilnega pomena peta:

- premehka peta ali preveč posteriorno ležeča linija obremenitve povzroči pogrezanje, ko uporabnik stopi na peto, in težave pri prehodu s pete na prst.
- pretrda peta ali preveč anteriorno ležeča linija obremenitve povzroči zelo hiter potek srednje faze stanja in negotovost pri obremenitvi pete.

	Simptomi	Ukrep
<b>Premehka peta.</b>	<ul style="list-style-type: none"><li>• Pogrezanje ob obremenitvi pete.</li><li>• Težave pri prehodu s pete na prst (prst se občuti pretrd).</li></ul>	<ol style="list-style-type: none"><li>1. Dodajte petno zagozdo.</li><li>2. Premaknite ležišče naprej glede na stopalo (peta se lahko zaradi prekomernega gibanja sname).</li><li>3. Če 1 in 2 ne pomagata, namestite bolj togi sklop vzmeti.</li></ol>
<b>Pretrda peta.</b>	<ul style="list-style-type: none"><li>• Hiter prehod z obremenitve pete skozi fazo stanja na srednjem delu stopala.</li><li>• Težave pri nadzoru gibanja pete, stopalo se na sredini koraka zagozdi.</li><li>• Stopalo je preveč togo.</li></ul>	<ol style="list-style-type: none"><li>1. Odstranite petno zagozdo (če je nameščena).</li><li>2. Premaknite ležišče posteriorno glede na stopalo.</li><li>3. Če 1 in 2 ne pomagata, namestite mehkejši sklop vzmeti.</li></ol>
<b>Listna vzmet prsta je premehka.</b>	<ul style="list-style-type: none"><li>• Hiter prehod v srednjo fazo stanja.</li><li>• Pogrezanje pri višjih stopnjah aktivnosti.</li></ul>	<ol style="list-style-type: none"><li>1. Premaknite ležišče posteriorno glede na stopalo.</li><li>2. Rahlo potisnite protetično stopalo naprej in navzdol – morda bo treba znova prilagoditi stopalo.</li></ol>

Če s pomočjo zgornjih napotkov ni mogoče doseči neoviranega gibanja, se obrnite na dobavitelja.

## 9 Navodila za razstavljanje



**Vedno uporabljajte primerno zaščitno opremo, vključno z odsesovalnimi napravami.**



**Bodite pozorni, saj obstaja nevarnost, da se vam prsti ujamejo.**

1



Z nožem previdno odstranite penasto kozmetiko, ki je morda prilepljena na ogrodje stopala.

2



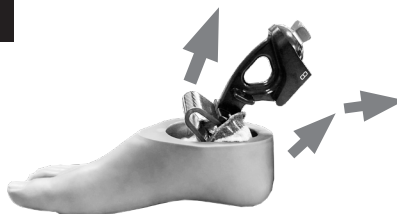
Odstranite pritrditvene vijake z nosilca in povlecite vzmet za prst proti zadnjemu delu stopala.

3



Odstranite vzmet za prst, da bo v ogrodju stopala ostal samo sestav nosilca/petne vzmeti.

4



Zavrtite sestav nosilca/petne vzmeti proti zadnjemu delu stopala, da sprostite vzmet iz njenega položaja v ogrodju.



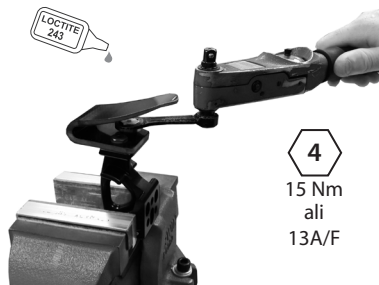
## 10 Navodila za sestavljanje

1



Namestite petno vzmet na nosilec, kot je prikazano.

2



Uporabite poseben imbusni ključ 940080, adapter za momentni ključ 940081 ali ključ 13A/F 940273. Uporabite Loctite 243 (926012) in zategnite z navorom 15 Nm.

3



Vzmet za prst pritrдите na nosilec z vijaki, na katere nanesite Loctite 243 (926012).

1. Za kategorije vzmeti 1 do 7 uporabite imbusni ključ 4 A/F in privijte z navorom 15 Nm. Ne uporabljajte zunanjega imbusnega ključa, ki je predviden za rahljanje vijakov, če je to potrebno.

2. Za kategoriji vzmeti 8 in 9 uporabite ključ 13 A/F in privijte z navorom 25 Nm.

4



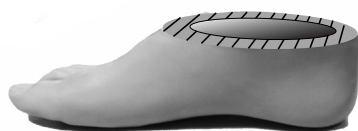
Preverite, ali je na levi strani nosilca označena pravilna številka sklopa vzmeti. S črnim pisalom prekrijte neželene segmente.

5



Namestite drsno nogavico na sestav vzmeti za prst, petne vzmeti in nosilca, kot je prikazano.

6



Če je treba namestiti penasto kozmetiko, pobrusite zgornjo površino ogrodja stopala, da bo hrapava in se bo bolje zlepile.

7

Položaj vzmeti za prst v  
ogrodju stopala



Vstavite celoten sestav v ogrodje stopala.  
Preverite, ali se pravilno prilega v režo za vzmet  
za prst.

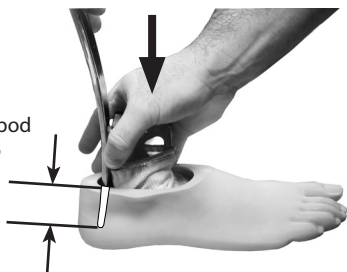
8



Med petno vzmet in zadnjo stran odprtine v  
ogrodju stopala vstavite pripomoček za obuvanje  
in potisnite vzmet navzdol v ogrodje stopala.

9

30 mm pod  
peto



Potisnite petno vzmet v položaj v ogrodju,  
kot je prikazano. Pripomoček za obuvanje mora  
biti pribl. 30 mm pod zgornjo površino ogrodja  
stopala.

10

Reža za petno vzmet



Preverite, ali se petna vzmet pravilno prilega v  
položaj v ogrodju stopala.

11

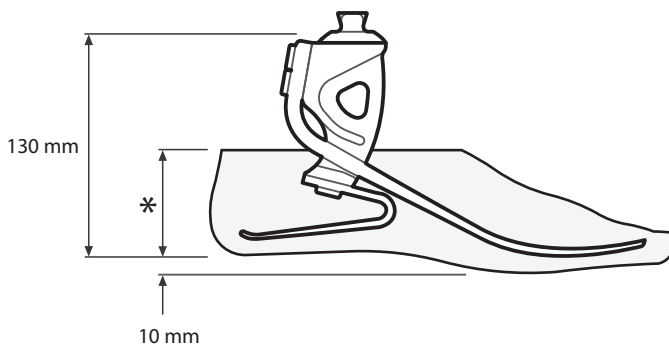


Prilepite penasto kozmetiko na zgornjo površino  
ogrodja stopala, kot je prikazano. Uporabite  
lepilo Thixofix (926204) ali enakovredno in jo  
ustrezno oblikujte.

## 11 Tehnični podatki

Temperaturno območje za uporabo in hrambo:	-15 do 50 °C
Teža komponente ( <i>velikost 26</i> ):	680 g
Stopnja aktivnosti:	3-4
Največja teža uporabnika:	166 kg
Proksimalna prilagoditev:	moški piramidni adapter (Blatchford)
Območje prilagoditve:	±7°, kotno
Višina sestava: (glejte spodnji diagram)	130 mm
Višina pete:	10 mm

### Namestitvena dolžina



\* Velikosti  
22-26 = 65 mm  
27-28 = 70 mm  
29-30 = 75 mm

# 12 Podatki za naročanje

## Primer naročila

<b>EL</b>	<b>25</b>	<b>L</b>	<b>N</b>	<b>3</b>	<b>S</b>
Velikost	Stran (L/D)	Širina* (O/Š)	Kategorija sklopa vzmeti	Sandal Toe	

Na voljo od velikosti 22 do 30:

EL22L1S do EL30R9S

EL22L1SD do EL30R9SD

npr. EL25LN3S

(dodajte »D« za temno barvo ogrodja stopala)

\* Samo velikosti 25–28. Za vse ostale velikosti izpustite polje za širino.

## Sklop vzmeti

Sklop vzmeti	Velikosti stopala			
	22–24	25–26	27–28	29–30
Sklop 1	539701S	539710S	539719S	Posebno naročilo
Sklop 2	539702S	539711S	539720S	Posebno naročilo
Sklop 3	539703S	539712S	539721S	539730S
Sklop 4	539704S	539713S	539722S	539731S
Sklop 5	539705S	539714S	539723S	539732S
Sklop 6	539706S	539715S	539724S	539733S
Sklop 7	539707S	539716S	539725S	539734S
Sklop 8	539708S	539717S	539726S	539735S
Sklop 9		539718S	539727S	539736S

## Ogrodje stopala

(za temno dodajte »D«)

## Drsna nogavica

Velikost/stran	Ozko	Široko
22L	539038S	-
22R	539039S	-
23L	539040S	-
23R	539041S	-
24L	539042S	-
24R	539043S	-
25L	539044SN	539044SW
25R	539045SN	539045SW
26L	539046SN	539046SW
26R	539047SN	539047SW
27L	539048SN	539048SW
27R	539049SN	539049SW
28L	539050SN	539050SW
28R	539051SN	539051SW
29L	-	539052S
29R	-	539053S
30L	-	539054S
30R	-	539055S

Velikosti 22–24	531011
Velikosti 25–30	532811

## Odgovornost

Proizvajalec priporoča, da se pripomoček uporablja samo pri specifikiranih pogojih in v predvidene namene. Pripomoček je treba vzdrževati v skladu z navodili, priloženimi pripomočku. Proizvajalec ne prevzema odgovornosti za morebitne neželene posledice, nastale zaradi kakršnih koli kombinacij komponent, ki jih ni odobril.

## Skladnost CE

Ta izdelek je v skladu z zahtevami evropske Uredbe EU 2017/745 o medicinskih pripomočkih. Ta izdelek je klasificiran kot izdelek razreda I v skladu z merili za klasifikacijo, navedenimi v prilogi VIII Uredbe. ES-izjava o skladnosti je na voljo na naslednjem spletnem naslovu: [www.blatchford.co.uk](http://www.blatchford.co.uk)



Medicinski pripomoček



Samo za enega bolnika –  
za večkratno uporabo

## Združljivost

Kombiniranje z izdelki znamke Blatchford je odobreno na osnovi preizkusov v skladu z ustreznimi standardi in uredbo o medicinskih pripomočkih, vključno s strukturnim testom, dimenzijsko združljivostjo in nadzorovano učinkovitostjo med uporabo.

Pri kombinacijah z alternativnimi izdelki z oznako CE je treba upoštevati dokumentirano lokalno oceno tveganja, ki jo opravi zdravnik.

## Garancija

Ta pripomoček ima 36 mesecev garancije, ogrodje stopala 12 mesecev in drsna nogavica 3 mesece.

Uporabnik se mora zavedati, da zaradi sprememb ali prilagoditev, ki niso izrecno odobrene, garancija, uporabne licence in izjeme morda ne bodo veljavne.

Za trenutno celotno garancijsko izjavo obiščite spletno stran podjetja Blatchford.

## Prijava resnih nesreč

V malo verjetnem primeru resnih nesreč, nastalih v povezavi s tem pripomočkom, je treba o dogodku obvestiti proizvajalca in pristojne oblasti v vaši državi.

## Okoljski vidiki

Kjer je mogoče, je treba komponente reciklirati v skladu z veljavnimi lokalnimi predpisi za obravnavo odpadkov.

## Nalepka na embalaži

Svetujemo vam, da nalepko na embalaži nameščenega pripomočka shranite za morebitno uporabo v prihodnje.

## Uradni naslov proizvajalca

Blatchford Products Limited, Lister Road, Basingstoke RG22 4AH.

## Izjave o blagovnih znamkah

Elite Foot in Blatchford sta registrirani blagovni znamki podjetja Blatchford Products Limited.

Съдържание.....	30
1 Описание и предназначение.....	31
2 Информация относно безопасността.....	33
3 Устройство.....	34
4 Функция.....	35
5 Поддръжка.....	35
6 Ограничения в употребата.....	35
7 Центроване на стенд.....	36
8 Съвети относно монтажа.....	37
9 Инструкции за демонтаж.....	38
10 Инструкции за монтиране.....	39
11 Технически данни.....	41
12 Информация за поръчка.....	42

---

# 1 Описание и предназначение

Настоящите инструкции за употреба са предназначени за лекаря/протезиста. Терминът „изделие“ в настоящите инструкции за употреба се отнася за Elite2.

## Приложение

Настоящото изделие се използва само като част от протеза за долен крайник.

Предназначено е за индивидуална употреба.

Протезно стъпало с висока динамична реакция. Независимите пружини за пета и пръсти предоставят възможност за аксиално изместване. Разделеният пръст осигурява добра гъвкавост и адаптация към опорната повърхност.

## Ниво на мобилност

Настоящото изделие се препоръчва за потребители с потенциал да постигнат нива на мобилност 3 или 4. Разбира се, има изключения и нашата препоръка е да се вземат предвид специфичните и индивидуални характеристики, като всяко такова решение трябва да бъде взето въз основа на разумна и изчерпателна обосновка.

### Ниво на мобилност 1

Потребителят е в състояние или има потенциал да използва протезата за придвижване или ходене по равни повърхности при равномерен ритъм на крачката. Характерно за пациентите с ограничена и неограничена способност за движение.

### Ниво на мобилност 2

Потребителят е в състояние или има потенциал да преодолява малки препятствия на околната среда, като бордюри, стъпала или неравни повърхности. Характерно за пациентите с ограничена способност за движение, които се придвижват на открито.

### Ниво на мобилност 3

Потребителят е в състояние или има потенциал да се придвижва с различен ритъм на крачката. Характерно за пациенти, които се придвижват на открито без ограничения, които са способни да преодоляват повечето препятствия в околната среда и може да имат потребност от професионална, терапевтична или тренировъчна активност, която налага използване на протезата извън рамките на обикновеното придвижване.

### Ниво на мобилност 4

Потребителят е в състояние или има потенциал да се придвижва с протезата извън рамките на базовите умения за придвижване, което е свързано с повишено натоварване, напрежение или ниво на енергия. Характерно за изискванията към протезите за деца, активни възрастни или спортисти.

## Противопоказания

Възможно е izdelieto да не е подходящо за лица с ниво на мобилност 1 или за употреба при състезателни спортни събития, тъй като за такъв тип потребители по-подходяща е индивидуално проектирана протеза, оптимизирана според техните потребности.

Уверете се, че потребителят е разбрал всички инструкции за употреба, като му обърнете специално внимание на раздела относно поддръжката.

## Клинични ползи

- Вертикална податливост за възприемане на енергията на удара
- Високи нива на мобилност за активни потребители
- Подобро оттласкване от страната на протезата
- По-висока скорост на вървене

## Варианти за комплекти от пружини

### Тегло на потребителя [kg]

44–52 53–59 ( 60–68 69–77 78–88 89–100 101–116 117–130 131–147 148–166

### Натоварване      Ниво на мобилност 3: Комплект от пружини за протезно стъпало

Ниско	1	1	2	3	4	5	6	7	8	9
-------	---	---	---	---	---	---	---	---	---	---

### Ниво на мобилност 4: Комплект от пружини за протезно стъпало

Средно	1	2	3	4	5	6	7	8	9
--------	---	---	---	---	---	---	---	---	---

Високо	2	3	4	5	6	7	8	9
--------	---	---	---	---	---	---	---	---

Ниско      Ежедневно ходене и епизодични спортни занимания, като голф и разходки сред природата

Умерено      Интензивно ходене и често или ежедневно спортуване, като бягане

Високо      Ежедневни дейности, като бягане на дълги разстояния, катерене, повдигане и носене на тежки предмети във връзка с упражняваната професия

### Важно:

**Да не се надвишават ограниченията за тегло за отделните пружини при потребители, упражняващи по-високо натоварване.**

Забележка... При колебания в избора между две категории изберете по-високата категория комплект от пружини.

**Показаните препоръки за комплекти от пружини за протезно стъпало са за потребители с ампутация на крайника под коляното.**

**При потребители с ампутация в областта на бедрото препоръчваме да се избере комплект от пружини, който е с една категория по-нисък. Вижте раздел 8 *Съвети относно монтажа* с цел гарантиране на задоволително функциониране и диапазон на движение.**



## 2 Информация относно безопасността



Този предупредителен символ обозначава важна информация относно безопасността, на която трябва да се обърне внимание.



Всякакви промени в движението или функционирането на крайника, като например ограничения в движението, скованост или необичайни шумове, трябва да се докладват незабавно на лекаря/ протезиста.



Винаги използвайте парапет при слизване по стълби, както и при всеки друг случай, ако е възможно.



Изделието не е подходящо за екстремни спортове, бягане или състезателно колоездене, зимни спортове, големи наклони и стъпала. Предприемането на всякакви такива действия е изцяло на собствен риск на потребителите. Допуска се колоездене с рекреационна цел.



Монтирането, поддръжката и ремонтването на изделието трябва да се извършва единствено от медицински специалист с подходяща квалификация.



Препоръчва се потребителят да се свърже с медицинския специалист, ако състоянието му се промени.



Когато шофирате, използвайте само превозни средства с подходящо допълнително оборудване. Всички лица трябва да спазват съответните закони за движение по пътищата при управление на моторни превозни средства.

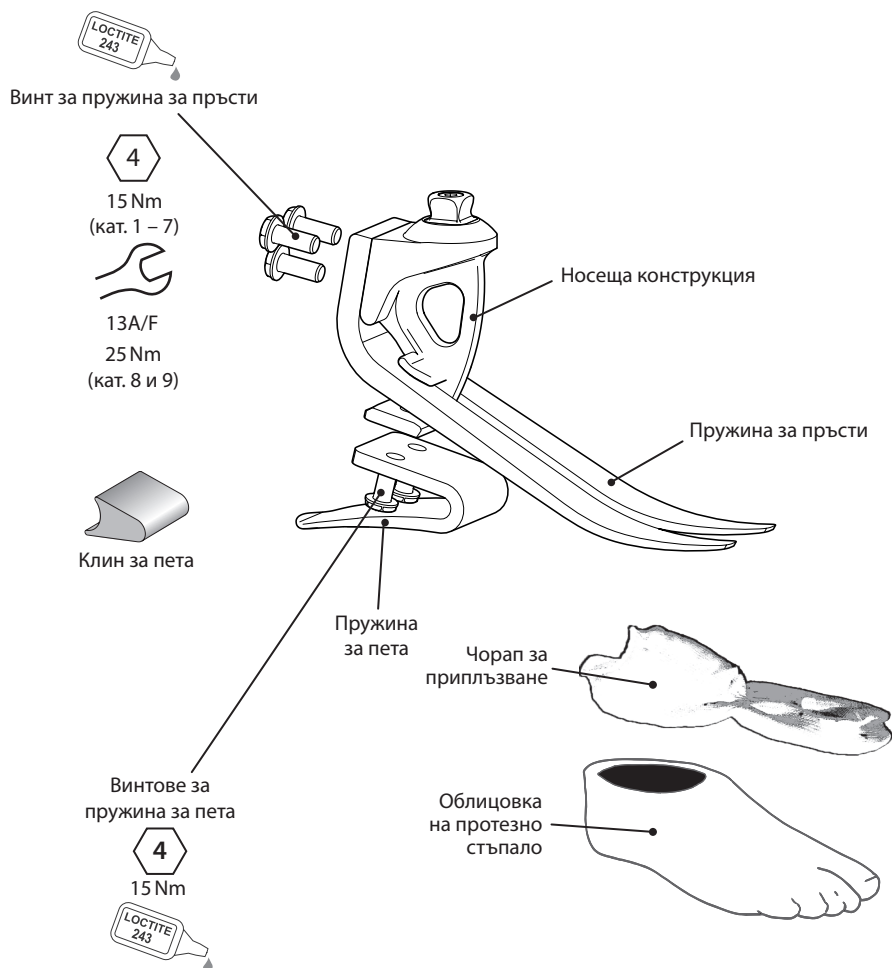


За да се сведе до минимум рискът от подхлъзване и препъване, върху облицовката на протезното стъпало трябва винаги да се носят подходящи плътни прилягащи обувки.

### 3 Устройство

#### Основни части:

- Система на носеща конструкция (алуминий/неръждаема стомана/титан)
- Пружини за пета и пръсти (e-Carbon)
- Винтове за закрепване на пружини (титан)
- Чорап за приплъзване (полиетилен UHMPE)
- Облицовка на протезно стъпало (полиуретан)



## 4 Функция

Това изделие включва независими пружини за пета и пръсти от въглероден композитен материал (e-Carbon).

Пружините за пета и пръсти са закрепени за носещата конструкция чрез титанови винтове. Стъпалото е увито в чорап от полиетилен UHMPE и върху него е поставена облицовка за протезно стъпало от полиуретан.

## 5 Поддръжка

Поддръжката трябва да се извършва от компетентно лице.

Препоръчваме следната годишна поддръжка:

- Отстранете облицовката на протезното стъпало и чорапа за приплъзване, проверете за нарушена цялост или износване и сменете, ако е необходимо.
- Проверете затегнатостта на всички винтове и ги почистете и монтирайте отново, ако е необходимо.
- Проверете пружините за пета и пръсти за признаци на разслояване или износване и ги заменете, ако е необходимо. Възможно е след известен период на употреба да се получат леки дефекти по повърхността им, но това не влияе на функционирането или якостта на протезното стъпало.

На потребителя се препоръчва следното:

- Потребителят трябва да съобщава на лекаря/протезиста всякакви промени във функционирането на изделието, като например намалена динамична реакция или необичайни шумове.
- Лекарят/протезистът трябва да бъде информиран и за всякакви промени в телесното тегло и/или нивото на мобилност.

Ако изделието се използва в условия на високо натоварване, нивото и времевият интервал за поддръжка трябва да се преразгледат и, ако е необходимо, да се потърси консултация и техническо съдействие за планиране на нов график на поддръжка в зависимост от честотата и естеството на натоварването. Това трябва да се определи чрез индивидуална оценка на риска, извършена от лице с подходяща квалификация.

Потребителят трябва да бъде информиран, че е препоръчителна редовна визуална проверка на протезното стъпало, както и че всякакви признаци на износване, които може да повлияят на функционирането, трябва да бъдат докладвани на лекаря/протезиста (напр. прекомерно износване или промяна на цвета поради продължително излагане на ултравиолетови лъчи).

### Почистване

Използвайте навлажнена кърпа и мек сапун за почистване на външните повърхности. Не използвайте агресивни почистващи препарати.

## 6 Ограничения в употребата

### Срок на експлоатация

Необходимо е извършване на индивидуална оценка на риска въз основа на мобилността и употребата.

### Повдигане на тежести

Ограниченията зависят от теглото на потребителя и неговото ниво на мобилност.

Носенето на тежести от потребителя трябва да бъде според индивидуалната оценка на риска.

### Околна среда

Настоящото изделие е водоустойчиво до максимална дълбочина от 1 метър.

Изплакнете изделието добре с питейна вода след употреба в абразивна среда, като например среда, съдържаща пясък или прах, за да предотвратите износване или повреда на движещите се части.

Изплакнете добре с питейна вода след употреба в солена или хлорирана вода.

Компонентите на протезното стъпало трябва да бъдат с подходящо покритие, за да се предотврати проникване на вода в облицовката на протезното стъпало, когато това е възможно. Ако в облицовката на протезното стъпало проникне вода, тя трябва да бъде обърната наопаки и изсушена, преди да се използва отново.

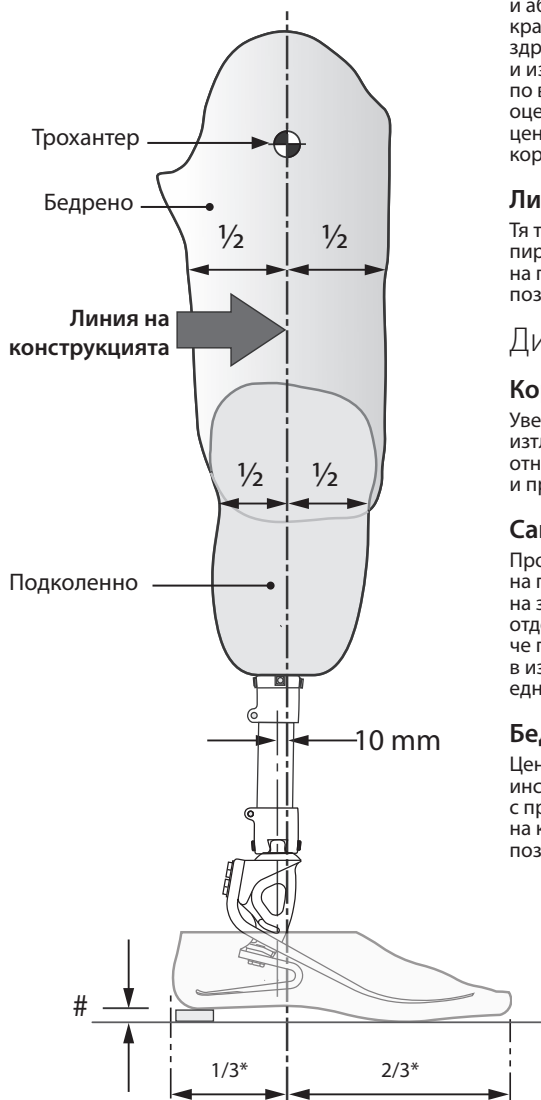
Изделието може да се използва само при температура между  $-15^{\circ}\text{C}$  и  $50^{\circ}\text{C}$ .



Подходящо за потопяване под вода

## 7 Центроване на стэнд

### 7.1 Статично центроване



#### Настройване на дължината

След правилно предвидени флексия, аддукция и абдукция, регулирайте дължината на крайника така, че да бъде с 5 мм по-дълъг от здравия крайник, за да се предвиди свиването и изместването на пружините на стъпалото по време на ходене. Необходима е повторна оценка след започване на пробите за динамично центроване, като дължината трябва да се коригира според тях.

#### Линия на конструкцията

Тя трябва да минава на 10 мм пред центъра на пирамидата (при правилно предвидена височина на петата). Приемната гилза трябва да бъде позиционирана според нея.

#### Динамично центроване

#### Коронална равнина

Уверете се, че медиално-латералното (M-L) изтласкване е минимално, като регулирате относителните позиции на приемната гилза и протезното стъпало.

#### Сагитална равнина

Проверете дали преходът от началния контакт на петата с повърхността към крайния момент на завършване на контакта с повърхността с отделяне на пръстите е плавен. Уверете се също, че петата и пръстите са равномерно натоварени в изправено положение и докосват пода едновременно.

#### Бедрено центроване

Центровайте бедрените компоненти според инструкциите за монтаж, предоставени с протезното коляно, като държите линията на конструкцията на показаната относителна позиция спрямо стъпалото.

#Трябва да се вземат предвид обувките, които ще носи потребителят

\*Приблизително съотношение

## 8 Съвети относно монтажа

Комплектите от пружини се доставят в комбинация, т.е. пружините за пета и пръсти са проектирани така, че да работят съвместно за осигуряване на плавност на походката при повечето потребители.

### Клин за пета

Към стъпалото е включен клин за пета. Поставянето на клина има ефект на затягане на пружината за пета. Клиновете могат временно да бъдат закрепени с тиксо по време на изпробването на протезата. При необходимост от монтиране за постоянно клиновете трябва да бъдат залепени на място чрез нанасяне на Loctite 424 (926104) между долната контактна повърхност на петата и клина.

### Твърдост на пружината на пета

Придвижването по време на опорната фаза на ходене трябва да бъде плавно и функционирането на петата е от ключово значение за този процес:

- Ако пружината на петата е прекалено мека или линията на натоварване е изместена прекалено назад, това ще доведе до потъване на петата при докосване на повърхността и до затруднено прехвърляне на тежестта върху пръстите.
- Ако пружината на петата е прекалено твърда или линията на натоварване е изместена прекалено напред, това ще доведе до бърз преход в средата на опорната фаза или до вибриране при докосване на повърхността с петата.

	Признаци	Решение
Прекалено мека пета	<ul style="list-style-type: none"><li>• Потъване на петата при докосване на повърхността</li><li>• Затруднено прехвърляне на тежестта върху пръстите (пръстите се усещат прекалено твърди)</li></ul>	<ol style="list-style-type: none"><li>1. Поставете клин за пета</li><li>2. Преместете приемната гилза напред спрямо стъпалото (прекаленото изместване може да доведе до падането ѝ)</li><li>3. Ако т. 1 и 2 не помогнат, поставете комплект от по-твърди пружини</li></ol>
Прекалено твърда пета	<ul style="list-style-type: none"><li>• Бърз преход от докосването на повърхността от петата по време на опорната фаза</li><li>• Затруднено контролиране на действието на петата, стъпалото вибрира в средата на опорната фаза</li><li>• Стъпалото се усеща прекалено твърдо</li></ul>	<ol style="list-style-type: none"><li>1. Отстранете клина за пета (ако е монтиран)</li><li>2. Преместете приемната гилза назад спрямо стъпалото</li><li>3. Ако т. 1 и 2 не помогнат, поставете комплект от по-меки пружини</li></ol>
Прекалено меки пръсти/лопатка	<ul style="list-style-type: none"><li>• Бърз преход в средата на опорната фаза</li><li>• „Пропадане“ при по-високи нива на мобилност</li></ul>	<ol style="list-style-type: none"><li>1. Преместете приемната гилза назад спрямо стъпалото</li><li>2. Направете лека плантарна флексия на протезното стъпало. Забележка: може да е необходимо повторно центроване.</li></ol>

Свържете се със своя доставчик, ако не е възможно постигане на плавна походка след прилагане на горните съвети.

## 9 Инструкции за демонтаж



Използвайте подходящи лични предпазни средства за осигуряване на здравословни и безопасни условия на труд през цялото време, включително екстрактори.



Необходимо е винаги да внимавате да не заклещите пръстите си.

1



Внимателно отстранете с нож козметичното покритие от пяна, прикрепено към облицовката на протезното стъпало.

2



Отстранете крепежните винтове от носещата конструкция и издърпайте пружината за пръсти в посока към задната част на протезното стъпало.

3



Отстранете пружината на пръстите, така че в облицовката да остане само системата от носещ механизъм/пружина за пета.

4



Завъртете системата от носеща конструкция/пружина за пета към задната част на протезното стъпало, за да откачите пружината от мястото ѝ в облицовката.

## 10 Инструкции за монтиране

1



Монтирайте пружината за пета към носещата конструкция, както е показано.

2



Използвайте специален шестограмен ключ 940080, адаптер за динамометричен ключ 940081 или гаечен ключ 13A/F 940273. Използвайте Loctite 243 (926012) и затегнете до 15 Nm.

3



Прикрепете пружината за пръсти към носещата конструкция, като използвате Loctite 243 (926012) върху болтовете. 1. За пружини с категория от 1 до 7 използвайте шестограмен ключ 4 A/F и затегнете до 15 Nm. Не използвайте външен шестограмен ключ, тъй като той се използва при необходимост за развиване на болтовете. 2. За пружини с категории 8 и 9 използвайте гаечен ключ 13 A/F и затегнете до 25 Nm.

4



Маркирайте правилния номер на комплекта от пружини от лявата страна на носещата конструкция. Използвайте черен маркер за покриване на излишните сегменти.

5

Чорап за приплъзване



Поставете чорапа за приплъзване върху системата от пружината за пръсти, пружината за пета и носещата конструкция, както е показано.

6



Ако ще се поставя козметично покритие, загладете с шкурка горната повърхност на облицовката на протезното стъпало, за да се осигури надеждно залепване.

7

Място на пружината за пръсти в облицовката на протезното стъпало



Плъзнете целия механизъм в облицовката на протезното стъпало. Уверете се, че пружината за пръстите е правилно позиционирана в предназначения за нея отвор.

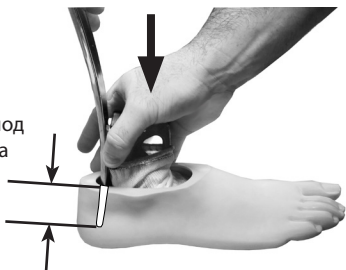
8



Плъзнете метална обувалка между пружината за пета и задната част на отвора на облицовката на протезното стъпало и с нейна помощ пхнете пружината надолу в облицовката.

9

30 мм под  
петата



Натиснете пружината за пета, така че да застане на правилното място в облицовката, както е показано. Обувалката трябва да е разположена на около 30 мм под горната повърхност на облицовката на протезното стъпало

10

отвор за разполагане  
на пружината за пета



Уверете се, че пружината за пета е на правилното място в отвора в облицовката на протезното стъпало.

11



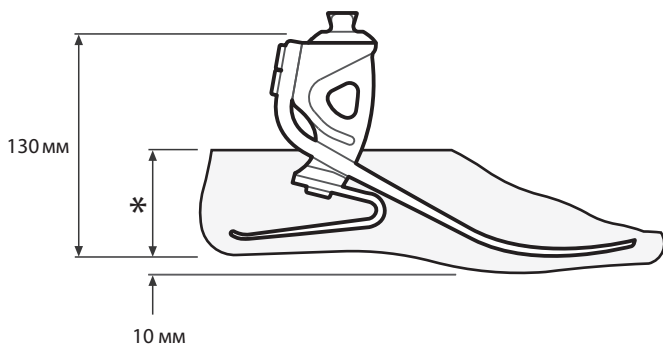
Залепете козметичното покритие от пена към горната повърхност на облицовката на стъпалото, както е показано, като използвате лепило Thixofix (926204) или аналогично лепило и оформете.



## 11 Технически данни

Температурен диапазон на експлоатация и съхранение:	от -15 °С до 50 °С
Тегло на компонента (размер 26):	680 г
Ниво на мобилност:	3–4
Максимално тегло на потребителя:	166 кг
Проксимално закрепване:	Входяща пирамида (Blatchford)
Диапазон на регулиране:	±7° ъглово
Височина на конструкцията: (Вижте диаграмата по-долу)	130 мм
Височина на петата:	10 мм

### Монтажна дължина



\* Размери  
22-26 = 65 мм  
27-28 = 70 мм  
29-30 = 75 мм

## 12 Информация за поръчка

### Примерна поръчка

EL	25	L	N	3	S
Размер	Страна	Ширина*	Категория	Пръст за	
	(L - лява/ R - дясна)	(N - тясна/ W - широка)	на комплект от пружини	носене на сандали	

Предлага се в размери  
от 22 до 30:

EL22L1S до EL30R9S

EL22L1SD до EL30R9SD

напр. EL25LN3S

\*Само за размери 25–28. За всички останали размери  
пропуснете полето за ширина.

(добавете „D“ за облицовка на  
протезно стъпало в тъмен цвят)

### Комплект от пружини

Комплект от пружини	Размер на стъпалото			
	22-24	25-26	27-28	29-30
Комплект 1	539701S	539710S	539719S	По поръчка
Комплект 2	539702S	539711S	539720S	По поръчка
Комплект 3	539703S	539712S	539721S	539730S
Комплект 4	539704S	539713S	539722S	539731S
Комплект 5	539705S	539714S	539723S	539732S
Комплект 6	539706S	539715S	539724S	539733S
Комплект 7	539707S	539716S	539725S	539734S
Комплект 8	539708S	539717S	539726S	539735S
Комплект 9		539718S	539727S	539736S

### Облицовка на протезно стъпало

(За тъмен цвят  
добавете „D“)

Размер/страна	Тясна (N)	Широка (W)
22L	539038S	-
22R	539039S	-
23L	539040S	-
23R	539041S	-
24L	539042S	-
24R	539043S	-
25L	539044SN	539044SW
25R	539045SN	539045SW
26L	539046SN	539046SW
26R	539047SN	539047SW
27L	539048SN	539048SW
27R	539049SN	539049SW
28L	539050SN	539050SW
28R	539051SN	539051SW
29L	-	539052S
29R	-	539053S
30L	-	539054S
30R	-	539055S

### Чорап за приплъзване

Размери 22-24	531011
Размери 25-30	532811

## Отговорност

Производителят препоръчва изделието да се използва само при посочените условия и по предназначение. Изделието трябва да се поддържа в съответствие с инструкциите за употреба, предоставени с него. Производителят не носи отговорност за неблагоприятни събития, причинени от комбинации от елементи, които не са одобрени от него.

## Маркировка за съответствие СЕ

Този продукт отговаря на изискванията на Регламент (ЕС) 2017/745 за медицинските изделия. Този продукт е класифициран като продукт от клас I според правилата за класификация, описани в Приложение VIII на регламента. ЕС декларацията за съответствие е достъпна на следния интернет адрес: [www.blatchford.co.uk](http://www.blatchford.co.uk)



Медицинско изделие



Предназначено за многократна употреба от един пациент

## Съвместимост

Комбинирането с продукти на Blatchford е одобрено въз основа на изпитвания в съответствие с приложимите стандарти и Регламент (ЕС) 2017/745 за медицинските изделия, включително изпитване на конструкцията, съвместимост относно размерите и проследяване на функционалността в реални условия.

Комбинирането с други продукти с маркировка СЕ трябва да се извършва с оглед на документираната индивидуална оценка на риска, извършена от специалист.

## Гаранция

Изделието се предлага с гаранция от 36 месеца, като гаранцията на облицовката на протезното стъпало е 12 месеца, а гаранцията на чорапа за приплъзване – 3 месеца.

Потребителят трябва да знае, че промени или модификации, които не са изрично одобрени, биха могли да доведат до анулиране на гаранцията, лицензите за работа и изключенията.

Вижте уебсайта на Blatchford за актуалната пълна декларация за гаранция.

## Докладване на сериозни инциденти

В малко вероятния случай на сериозен инцидент, свързан с настоящото изделие, инцидентът трябва да се докладва на производителя и на компетентния национален орган.

## Екологични аспекти

Когато е възможно, елементите му трябва да се рециклират в съответствие с местните разпоредби за управление на отпадъците.

## Запазване на етикета на опаковката

Препоръчва се да запазите етикета на опаковката като документ за доставеното изделие.

## Адрес на управление на производителя

Blatchford Products Limited, Lister Road, Basingstoke RG22 4AH.

## Потвърждение за търговска марка

Elite Foot и Blatchford са регистрирани търговски марки на Blatchford Products Limited.

Sadržaj.....	44
1 Opis i predviđena namjena .....	45
2 Informacije o sigurnosti .....	47
3 Izvedba.....	48
4 Funkcija.....	49
5 Održavanje.....	49
6 Ograničenja uporabe.....	49
7 Početno poravnanje .....	50
8 Savjeti za prilagođavanje .....	51
9 Upute za rasklapanje.....	52
10 Upute za sklapanje .....	53
11 Tehnički podaci .....	55
12 Informacije za naručivanje.....	56

---

# 1 Opis i predviđena namjena

Ove su upute za uporabu namijenjene zdravstvenim djelatnicima.

Izraz proizvod u ovim uputama za uporabu odnosi se na proizvod Elite2.

## Primjena

Ovaj se *proizvod* smije upotrebljavati isključivo kao dio proteze donjeg ekstremiteta.

Namijenjen je za jednog korisnika.

Stopalo s visokim povratom energije. Zasebne opruge pete i palca omogućuju otklon od uzdužne osi. Odvojeni palac omogućava dobar sraz s tlom.

## Stupanj aktivnosti

Ovaj proizvod preporučuje se za korisnike koji su u mogućnosti postići stupnjeve aktivnosti 3 ili 4. Naravno, postoje iznimke, i u svojim preporukama trudimo se uzeti u obzir jedinstvene, individualne okolnosti te svako donošenje odluka mora biti razumno i detaljno obrazloženo.

### Stupanj aktivnosti 1

Može upotrebljavati ili postoji potencijal upotrebljavanja proteze za transfer ili kretanje na ravnim površinama ujednačenim tempom. Karakteristično za osobu ograničene i neograničene sposobnosti hoda.

### Stupanj aktivnosti 2

Može hodati ili postoji potencijal za hod uz sposobnost prelaženja manjih prepreka u okruženju, poput rubnika, stuba ili neravnih površina. Karakteristično za osobu ograničene sposobnosti hoda u vanjskom okruženju.

### Stupanj aktivnosti 3

Može hodati ili postoji potencijal za hod promjenjivim tempom.

Karakteristično za osobu sa sposobnošću hoda u vanjskom okruženju koja može prelaziti većinu prepreka u okruženju i bavi se radnim, terapijskim ili rekreacijskim aktivnostima koje zahtijevaju složeniju uporabu proteze koja nadilazi jednostavne oblike kretanja.

### Stupanj aktivnosti 4

Može hodati ili postoji potencijal za hod s protezom koji nadilazi osnovne sposobnosti kretanja, a pokazuje značajnu razinu upora, izdržljivosti i energije. Karakteristično za protetičke potrebe djece, aktivnih odraslih osoba ili sportaša.

## Kontraindikacije

Proizvod možda nije prikladan za osobe stupnja aktivnosti 1 ili za sportska natjecanja, jer je za korisnike te vrste primjerenija posebno oblikovana proteza optimizirana za njihove potrebe. Osigurajte da je korisnik u potpunosti shvatio sve upute za uporabu, posebno obraćajući pozornost na odjeljak o održavanju.

## Kliničke prednosti

- Vertikalni sraz s tlom radi amortizacije sila udara.
- Visoka razina pokretljivosti kod aktivnih korisnika
- Poboljšani bočni odraz proteze
- Povećana brzina hoda

## Odabir kompleta opruga

	Težina korisnika [kg]									
	44-52	53-59	60-68	69-77	78-88	89-100	101-116	117-130	131-147	148-166
Razina upora	Stupanj aktivnosti 3: Komplet opruga stopala									
Niska	1	1	2	3	4	5	6	7	8	9
	Stupanj aktivnosti 4: Komplet opruga stopala									
Umjerena	1	2	3	4	5	6	7	8	9	
Visoka	2	3	4	5	6	7	8	9		

Niska	Dnevne šetnje i povremeno bavljenje sportovima poput golfa i pješačenja
Umjerena	Intenzivno pješačenje, učestalo ili svakodnevno bavljenje sportovima poput trčanja
Visoka	Svakodnevne aktivnosti poput maratonskog trčanja, penjanja, podizanja utega i nošenja teških predmeta zbog potreba posla

### Važno:

**kod korisnika s visokom razinom upora ne smiju se prekoračivati ograničenja težine za pojedinačne opruge.**

Napomena... Ako se dvoumite između dvije kategorije, odaberite komplet opruga za višu razinu.

**Prikazane preporuke za komplet opruga stopala odnose se na korisnike potkoljene proteze.**

**Za korisnike natkoljene proteze preporučujemo odabir kompleta opruga za jednu kategoriju niže, pogledajte upute za prilagođavanje u Odjeljku 8 *Savjeti za prilagođavanje* kako biste osigurali zadovoljavajuću funkcionalnost i raspon pokreta**

## 2 Informacije o sigurnosti



Ova oznaka upozorenja naglašava važne informacije o sigurnosti kojih se potrebno pažljivo pridržavati.



Bilo kakve promjene u funkcionalnosti ili u radu ekstremiteta npr. ograničeni pokreti, neuravnoteženi pokreti ili neobični zvukovi, moraju se odmah prijaviti pružatelju usluge.



Uvijek upotrebljavajte rukohvat prilikom silaženja niza stube i u svim ostalim prilikama ako je dostupno.



Proizvod nije primjeren za ekstremne sportove, natjecanja u trčanju ili biciklizmu, zimske sportove, ekstremne padine i stube. Bavljenje takvim aktivnostima na isključivu je odgovornost korisnika. Rekreativni biciklizam je prihvatljiv.



Sklapanje, održavanje i popravak proizvoda mora obavljati odgovarajuće osposobljeni kliničar.



Korisnik mora obavijestiti svog kliničara o svakoj promjeni svog stanja.



Osigurajte da se za vožnju koriste odgovarajuće prilagođena vozila. Svi korisnici dužni su pridržavati se važećih prometnih propisa prilikom upravljanja motornim vozilima.

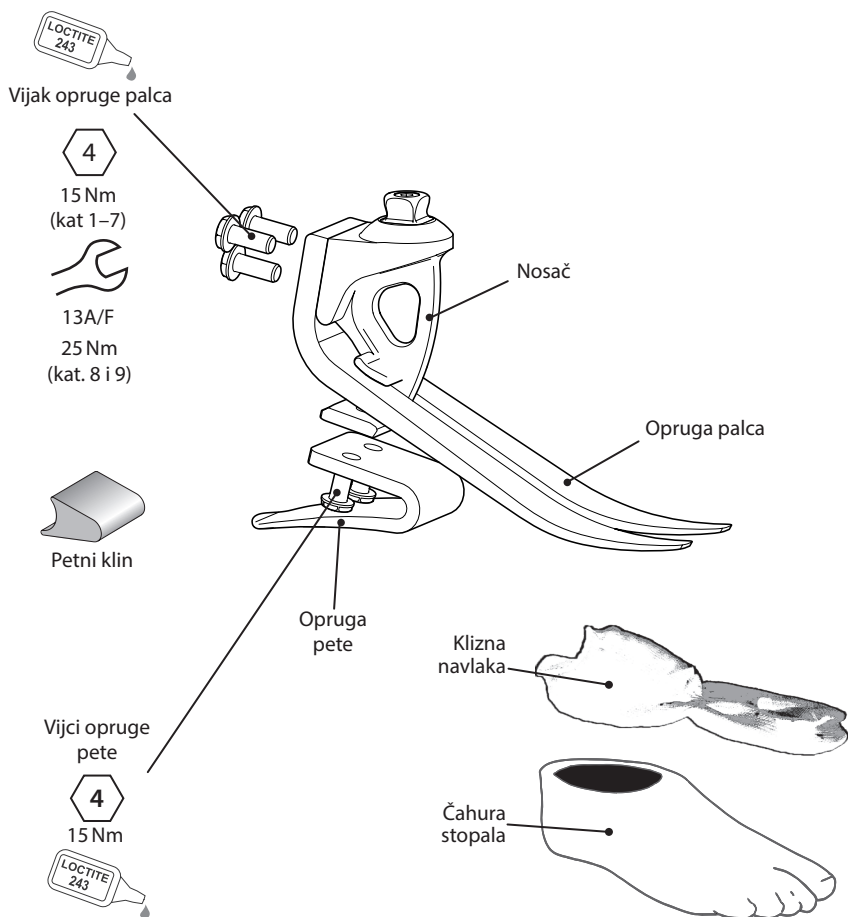


Kako bi se smanjio rizik od pokliznuća i spoticanja, u svakom je trenutku potrebno upotrebljavati odgovarajuću obuću koja čvrsto prianja na čahuru stopala.

### 3 Izvedba

#### Glavni dijelovi:

- Sklop nosača (aluminij/nehrđajući čelik/titanij)
- Opruge pete i palca (e-karbon)
- Vijci za pričvršćenje opruga (titanij)
- Klizna navlaka (UHM PE)
- Čahura stopala (PU)





---

## 4 Funkcija

Ovaj proizvod sastoji se od opruge palca od e-karbona i zasebne opruge pete.

Opruge pete i palca priključuju se na nosač pomoću titanijskih vijaka. Na stopalo se navlači navlaka od UHM PE-a koju se zatim uvlači u čahuru stopala od PU-a.

---

## 5 Održavanje

Održavanje smije izvoditi samo kvalificirano osoblje.

Preporučujemo sljedeće godišnje održavanje:

- Skinite čahuru stopala i kliznu navlaku, provjerite postoje li oštećenja ili dotrajalost i zamijenite ako je potrebno.
- Provjerite zategnutost svih vijaka, čistite i ponovno sklapajte prema potrebi.
- Provjerite opruge pete i palca postoje li znakovi delaminacije ili dotrajalosti i zamijenite ako je potrebno. Nakon određenog razdoblja uporabe može doći do manjih površinskih oštećenja koja ne utječu na funkciju ili čvrstoću stopala.

Korisnika treba uputiti da:

- bilo kakve promjene funkcionalnosti ovog proizvoda prijavi zdravstvenom djelatniku, npr. smanjen povrat energije ili neobične zvukove.
- Zdravstvenog djelatnika potrebno je također obavijestiti o svim promjenama tjelesne težine i/ili stupnja aktivnosti.

Ako se proizvod upotrebljava za ekstremnu aktivnost, opseg i raspored održavanja potrebno je analizirati i, po potrebi, zatražiti savjet i tehničku podršku radi planiranja novog rasporeda održavanja ovisno o učestalosti i prirodi aktivnosti. To je potrebno odrediti procjenom rizika na licu mjesta od strane odgovarajuće kvalificirane osobe.

Korisnika treba uputiti da se preporučuje redovito vizualno pregledavanje stopala, da znakove dotrajalosti koji bi mogli utjecati na funkcionalnost obavezno prijave svom pružatelju usluga (npr. značajna dotrajalost ili pretjerana izbljedjelost zbog dugotrajne izloženosti UV zračenju).

### Čišćenje

Vanjske površine čistite vlažnom krpom i blagim sapunom, ne upotrebljavajte agresivna sredstva za čišćenje.

---

## 6 Ograničenja uporabe

### Predviđen rok trajanja

Lokalnu procjenu rizika potrebno je izvršiti na temelju aktivnosti i uporabe.

### Podizanje tereta

Tjelesna težina korisnika i aktivnosti podliježu navedenim ograničenjima.

Teret koji korisnik smije nositi mora se odrediti lokalnom procjenom rizika.

### Okruženje

Ovaj je proizvod vodootporan do maksimalno 1 m dubine.

Temeljito isperite ovaj proizvod slatkom vodom nakon uporabe u abrazivnim okruženjima, npr. s pijeskom ili srhom, kako biste spriječili habanje ili oštećenja pokretnih dijelova.

Temeljito isperite pitkom vodom nakon uporabe u slanoj ili kloriranoj vodi.

Jedinice stopala moraju imati odgovarajuću završnu obradu kako bi se spriječio prodor vode u čahuru stopala gdje je to moguće. Ako voda uđe u čahuru stopala, čahuru je potrebno izokrenuti i osušiti prije daljnje uporabe.

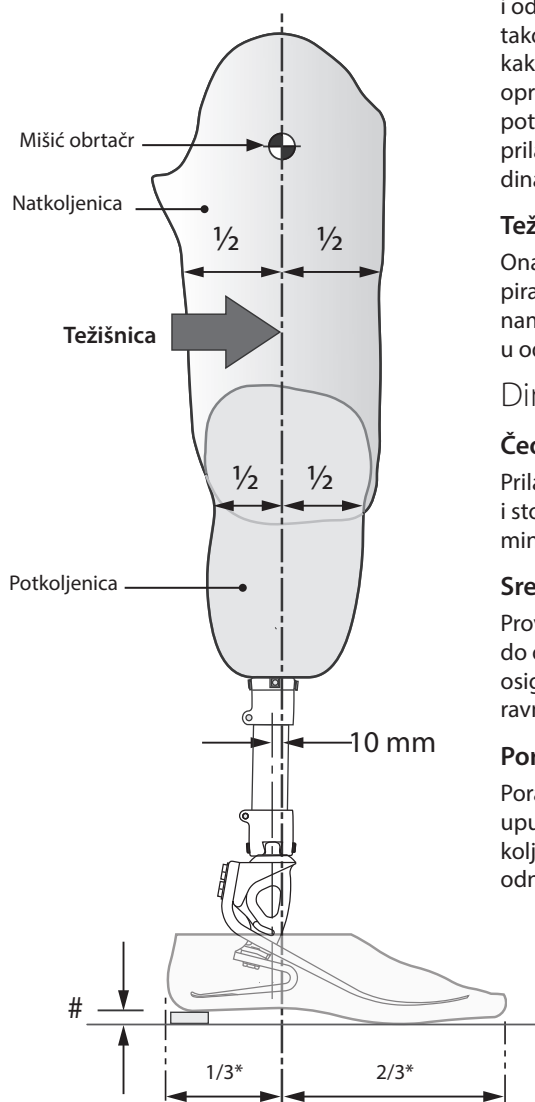


Prikladno za potapanje

Isključivo za uporabu na temperaturi od -15 °C do 50 °C.

## 7 Početno poravnanje

### 7.1 Statičko poravnanje



#### Namještanje duljine

Uz pravilno pregibanje, primicanje i odmicanje, duljinu ekstremiteta namjestite tako da je 5 mm dulja od zdravog ekstremiteta kako bi se omogućilo opterećenje i otklon opruga stopala prilikom hoda. Duljinu će biti potrebno ponovno procijeniti i odgovarajuće prilagoditi jednom kada započne ispitivanje dinamike hoda.

#### Težišnica

Ona mora biti 10 mm ispred sredine piramidnog dijela (uz odgovarajuće namještenu visinu pete). Ležište mora biti u odgovarajućem položaju.

#### Dinamičko poravnanje

##### Čeona (frontalna) ravnina

Prilagodбом relativnih položaja ležišta i stopala osigurajte da M-L zamah bude minimalan.

##### Središnja (sagitalna) ravnina

Provjerite je li prijelaz od nagaza petom do odraza palcem neometan. Također osigurajte da su prilikom stajanja i peta i palac ravnomjerno opterećeni i u doticaju s tlom.

##### Poravnanje natkoljenice

Poravnajte dijelove natkoljenice prema uputama o prilagođavanju isporučenim uz koljeno, održavajući težišnicu u relativnom odnosu prema stopalu kako je prikazano.

## 8 Savjeti za prilagođavanje

Kompleti opruga isporučuju se u paru, tj. opruge pete i palca osmišljene su da u kombinaciji omoguće neometanu progresiju većini korisnika.

### Petni klin

Petni klin isporučuje se uz stopalo. Namještanje petnog klina utječe na krutost opruge pete. Klin je moguće učvrstiti na položaj trakom za potrebe ispitivanja. Za trajno postavljanje, klinove je potrebno učvrstiti na položaj nanošenjem ljepila Loctite 424 (926104) između donje dodirne površine pete i klina.

### Krutost pete

Progresija prilikom osloničnog stava mora biti neometana – funkcionalnost pete ključna je za ovaj proces:

- Ako je peta prelabava ili osovina opterećenja previše natrag, doći će do propadanja kod nagaza petom i poteškoća kod prelaza na palac.
- Ako je peta prekruta ili osovina opterećenja previše naprijed doći će do brze progresije kod međustava ili zapinjanja kod nagaza petom.

	Simptomi	Korektivne mjere
<b>Prelabava peta</b>	<ul style="list-style-type: none"><li>• Propadanje kod nagaza petom</li><li>• Poteškoće kod prelaza na palac (palac djeluje prekruto)</li></ul>	<ol style="list-style-type: none"><li>1. Umetnite petni klin</li><li>2. Pomaknite ležište prema naprijed u odnosu na stopalo (pretjerani pomak može prouzročiti ispadanje)</li><li>3. Ako korak 1 i 2 ne uspiju, odaberite krući komplet opruga</li></ol>
<b>Peta pretvrda</b>	<ul style="list-style-type: none"><li>• Prebrzi prelaz s nagaza na petu u osloničnom stavu</li><li>• Poteškoće s kontrolom pokreta pete, stopalo zapinje u međustavu</li><li>• Stopalo djeluje prekruto</li></ul>	<ol style="list-style-type: none"><li>1. Izvadite petni klin (ako je ugrađen)</li><li>2. Pomaknite ležište prema natrag u odnosu na stopalo</li><li>3. Ako korak 1 i 2 ne uspiju, namjestite mekši komplet opruga</li></ol>
<b>Palac/kontaktna poluga premekana</b>	<ul style="list-style-type: none"><li>• Prebrza progresija u međustavu.</li><li>• Ispadanje kod većih stupnjeva aktivnosti</li></ul>	<ol style="list-style-type: none"><li>1. Pomaknite ležište prema natrag u odnosu na stopalo</li><li>2. Stopalo postavite u blagu plantarnu fleksiju – napomena: možda će biti potrebno ponovno poravnanje</li></ol>

Molimo kontaktirajte svog dobavljača ako ne možete postići neometan hod slijedeći gore navedene upute.

## 9 Upute za rasklapanje



Upotrebljavajte odgovarajuću zdravstvenu i zaštitnu opremu u svakom trenutku uključujući pribor za vađenje.



U svakom trenutku vodite računa o riziku od prignječenja prstiju.

1



Pažljivo nožem uklonite svaku kozmetičku navlaku od pjene koja je možda pričvršćena na čahuru stopala.

2



Odvijte sigurnosne vijke iz nosača i povucite oprugu palca prema stražnjem dijelu stopala.

3



Uklonite oprugu palca tako da u čahuri stopala ostane samo sklop nosača/opruge pete.

4



Okrenite sklop nosača/opruge pete prema stražnjem dijelu stopala kako biste odvojili oprugu s njezinog mjesta u čahuri.

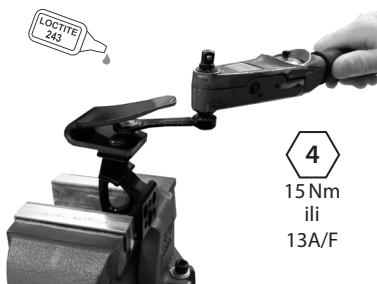
## 10 Upute za sklapanje

1



Sklopite oprugu pete na noslač kako je prikazano.

2



Upotrijebite poseban imbus ključ 940080, prilagodnik momentnog ključa 940081 ili ključ za matice 13A/F, 940273. Nanesite ljeplivo Loctite 243 (926012) i zategnite na okretni moment od 15 Nm.

3



Pričvrstite oprugu palca na noslač nanošenjem ljepliva Loctite 243 (926012) na vijke.  
1. Za opruge razine 1 do 7 upotrijebite imbus ključ 4 A/F i zategnite na okretni moment od 15 Nm. Nemojte upotrebljavati vanjski heksagonalni ključ, on je namijenjen za otpuštanje vijka, ako potrebno.  
2. Za opruge razine 8 i 9 upotrijebite ključ za matice 13 A/F i zategnite na okretni moment od 25 Nm.

4



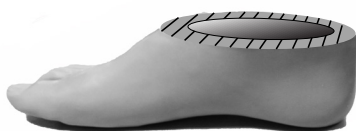
Osigurajte da je odgovarajući broj kompleta opruge označen na lijevoj strani nosača. Crnim markerom prekrijte neželjene dijelove.

5



Namjestite kliznu navlaku na sklop opruge palca, opruge pete i nosača kako je prikazano.

6



Ako je potrebno namjestiti kozmetičku navlaku, izbrusite gornju površinu čahure stopala kako biste dobili savršenu površinu za vezivanje.

7

Položaj opruge palca u čahuri stopala



Umetnite cijeli sklop u čahuru stopala. Osigurajte pravilan dosjed u utor za oprugu palca.

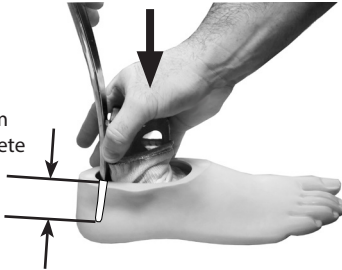
8



Umetnite metalnu žlicu za obuvanje između opruge pete i stražnjeg otvora čahure stopala i podložite oprugu u čahuru stopala.

9

30 mm  
ispod pete



Utisnite oprugu pete na položaj u čahuru kako je prikazano. Žlica za obuvanje mora biti približno 30 mm ispod gornje površine čahure stopala.

10

Utor za položaj  
opruge pete



Osigurajte da je opruga pete ispravno namještena u utor za njezin položaj u čahuri stopala.

11

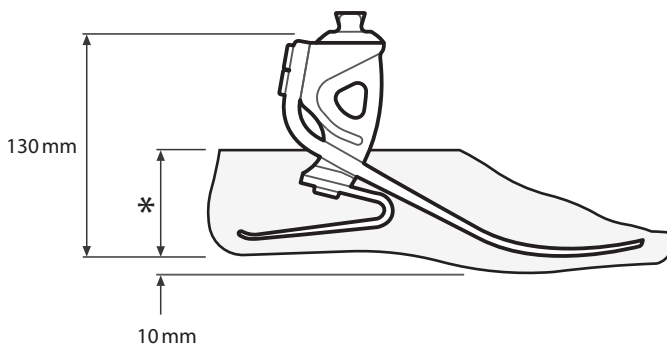


Učvrstite kozmetičku navlaku na gornju površinu čahure stopala kako je prikazano pomoću ljepila Thixofix (926204) ili istovjetnog i oblikujte da prione.

# 11 Tehnički podaci

Radni i temperaturni raspon skladištenja:	-15 °C do 50 °C
Težina komponente ( <i>veličina 26</i> ):	680 g
Stupanj aktivnosti:	3–4
Maksimalna tjelesna težina korisnika:	166 kg
Priključak za poravnanje proksimalnog dijela:	Muški piramidni dio (Blatchford)
Raspon prilagodbe:	Kutno $\pm 7^\circ$
Visina izvedbe: (Pogledajte crtež ispod)	130 mm
Visina pete:	10 mm

## Duljina prilagođavanja



\* Veličine  
22-26 = 65 mm  
27-28 = 70 mm  
29-30 = 75 mm

# 12 Informacije za naručivanje

## Primjer narudžbe

<b>EL</b>	<b>25</b>	<b>L</b>	<b>N</b>	<b>3</b>	<b>S</b>
Veličina	Strana (L/R)	Širina* (N/W)	Kategorija kompleta opruga	Palac boje sandalovine	

npr. EL25LN3S

\*Samo veličine 25–28. Za sve druge veličine, izostavite polje Širina.

Dostupno od veličine 22  
do veličine 30:  
EL22L1S do EL30R9S  
EL22L1SD do EL30R9SD

(upišite „D“ za čahuru stopala  
u tamnom tonu boje)

## Komplet opruga

Komplet opruga	Veličina stopala			
	22-24	25-26	27-28	29-30
Komplet 1	539701S	539710S	539719S	Posebna narudžba
Komplet 2	539702S	539711S	539720S	Posebna narudžba
Komplet 3	539703S	539712S	539721S	539730S
Komplet 4	539704S	539713S	539722S	539731S
Komplet 5	539705S	539714S	539723S	539732S
Komplet 6	539706S	539715S	539724S	539733S
Komplet 7	539707S	539716S	539725S	539734S
Komplet 8	539708S	539717S	539726S	539735S
Komplet 9		539718S	539727S	539736S

## Čahura stopala

(Za tamniju izvedbu upišite „D“)

Veličina/strana	Usko	Široko
22L	539038S	-
22R	539039S	-
23L	539040S	-
23R	539041S	-
24L	539042S	-
24R	539043S	-
25L	539044SN	539044SW
25R	539045SN	539045SW
26L	539046SN	539046SW
26R	539047SN	539047SW
27L	539048SN	539048SW
27R	539049SN	539049SW
28L	539050SN	539050SW
28R	539051SN	539051SW
29L	-	539052S
29R	-	539053S
30L	-	539054S
30R	-	539055S

## Klizna navlaka

Veličine 22-24	531011
Veličine 25-30	532811



## Odgovornost

Proizvođač preporučuje uporabu proizvoda u skladu s navedenim uvjetima i za predviđene namjene. Proizvod mora biti održavan u skladu s uputama za uporabu isporučenim uz proizvod. Proizvođač nije odgovoran ni za kakve neželjene ishode uzrokovane kombiniranjem komponenti koje nije odobrio.

## CE sukladnost

Ovaj proizvod ispunjava zahtjeve Uredbe (EU) 2017/745 o medicinskim proizvodima. Ovaj proizvod razvrstan je kao proizvod klase rizika I prema kriterijima razvrstavanja navedenima u Dodatku VIII. Uredbe. Certifikat EU Izjava o sukladnosti dostupan je na sljedećoj internetskoj stranici: [www.blatchford.co.uk](http://www.blatchford.co.uk)



Medicinski proizvod



Jedan korisnik - višestruka uporaba

## Kompatibilnost

Kombiniranje s proizvodima marke Blatchford odobrava se na temelju ispitivanja u skladu s primjenjivim normama i Uredbom o medicinskim proizvodima (MDR) uključujući ispitivanje strukture, usklađenost dimenzija i nadziranu radnu učinkovitost.

Kombiniranje s alternativnim proizvodima s oznakom CE mora se provesti uz dokumentiranu lokalnu procjenu rizika od strane zdravstvenog djelatnika.

## Jamstvo

Na ovaj proizvod daje se jamstvo od 36 mjeseci – na čahuru stopala 12 mjeseci – na kliznu navlaku 3 mjeseca.

Korisnik mora biti svjestan da promjene ili preinake koje nisu izričito dopuštene mogu poništiti jamstvo, odobrenja za rad i izuzeća.

Pogledajte internetsku stranicu tvrtke Blatchford za uvid u cjelovitu važeću izjavu o jamstvu.

## Prijavljivanje ozbiljnih neželjenih događaja

U malo vjerojatnom slučaju pojave ozbiljnog neželjenog događaja vezanog uz ovaj proizvod, potrebno je isti prijaviti proizvođaču i nadležnom državnom tijelu.

## Ekološki aspekti

Gdje je izvedivo, komponente je potrebno reciklirati u skladu s lokalnim propisima o zbrinjavanju otpada.

## Čuvanje oznake pakiranja

Morate sačuvati oznaku pakiranja kao evidenciju isporučenog proizvoda.

## Adresa sjedišta proizvođača

Blatchford Products Limited, Lister Road, Basingstoke RG22 4AH.

## Izjave o žigu

Elite Foot i Blatchford registrirani su žigovi tvrtke Blatchford Products Limited.

Obsah .....	58
1 Opis a zamýšľaný účel.....	59
2 Informácie o bezpečnosti.....	61
3 Konštrukcia .....	62
4 Funkcia .....	63
5 Údržba .....	63
6 Obmedzenie používania .....	63
7 Zarovnanie osadenia.....	64
8 Odporúčania pri osádzaní.....	65
9 Návod na demontáž.....	66
10 Návod na montáž.....	67
11 Technické údaje .....	69
12 Informácie pri objednávaní .....	70

# 1 Opis a zamýšľaný účel

Návod na použitie je určený odborníkovi.

V návode sa používa termín *pomôcka* a odkazuje na Elite2.

## Použitie

Pomôcka sa smie používať výhradne ako súčasť protézy dolnej končatiny.

Je určená jednému používateľovi.

Chodidlo s vysokým odvalom. Nezávislé päťové a prstové pružiny umožňujú ohyb podľa osí. Oddelené prsty kopírujú podklad.

## Úroveň aktivity

Pomôcka sa odporúča používateľom s potenciálom dosiahnutia úrovne aktivity 3 alebo 4. Samozrejme, existujú výnimky, a pri odporúčaní chceme zohľadniť individuálne okolnosti. Rozhodovať sa treba na základe rozumného a dôkladného odôvodnenia.

### Úroveň aktivity 1

Má schopnosť alebo potenciál používať protézu na presun alebo chôdzu na rovnom povrchu pri fixnej kadencii. Typická pre chodca s obmedzením alebo bez obmedzenia.

### Úroveň aktivity 2

Má schopnosť alebo potenciál chôdze so schopnosťou prechádzať cez nízke prekážky v okolitom prostredí, ako sú obrubníky, schody alebo nerovný povrch. Typická pre komunitného chodca s obmedzením.

### Úroveň aktivity 3

Má schopnosť a potenciál chôdze s rozličnou kadenciou.

Typická pre komunitného chodca so schopnosťou prechádzať cez väčšinu prekážok v okolitom prostredí, ktorý môže vykonávať pracovnú, terapeutickú alebo cvičebnú aktivitu vyžadujúcu si používanie protézy mimo jednoduchého pohybu.

### Úroveň aktivity 4

Má schopnosť alebo potenciál protetickej chôdze, ktorá prekračuje základné ambulantné zručnosti, má veľkú mieru dopadu, tlaku alebo energie. Typická pre protetické nároky detí, aktívnych dospelých alebo atlétov.

## Kontraindikácie

Pomôcka nie je vhodná pre osoby s úrovňou aktivity 1 ani na súťažné športové podujatia. Takémuto typu používateľov lepšie poslúži špeciálne navrhnutá protéza optimalizovaná na potreby danej osoby.

Overte si, či používateľ rozumie všetkým častiam návodu na použitie, predovšetkým časti o údržbe.

## Klinické výhody

- Vertikálne pruženie tlmí nárazy
- Vysoká úroveň pohyblivosti pre aktívnych používateľov
- Lepší bočný odraz protézy
- Väčšia rýchlosť chôdze

## Súpravy pružín na výber

	Hmotnosť používateľa [kg]									
	44–52	53–59	60–68	69–77	78–88	89–100	101–116	117–130	131–147	148–166
Dopad	Úroveň aktivity 3: Súprava chodidlových pružín									
Nízky	1	1	2	3	4	5	6	7	8	9
	Úroveň aktivity 3: Súprava chodidlových pružín									
Stredný	1	2	3	4	5	6	7	8	9	
Vysoký	2	3	4	5	6	7	8	9		

Nízky Každodenná chôdza a príležitostný šport ako golf alebo výlety do prírody

Stredný Agresívna chôdza, častý alebo každodenný šport ako beh

Vysoký Každodenné činnosti ako pomalý beh, lezenie, zdvíhanie alebo nosenie ťažkých predmetov kvôli práci

## Dôležité:

**Pre používateľov s vyšším dopadom: neprekračujte hmotnostný limit jednotlivých pružín.**

Poznámka... V prípade pochybností si pri výbere medzi dvomi kategóriami vyberte súpravu pružín vyššej triedy.

**Zobrazené odporúčania ohľadne súpravy chodidlových pružín sa týkajú transtibiálnych používateľov.**

**Pri transfemorálnych používateľoch navrhujeme vybrať si o kategóriu nižšiu súpravu pružín, pozrite si časť 8 *Odporúčania pri osádzaní*.**

## 2 Informácie o bezpečnosti



Tento výstražný symbol poukazuje na dôležité bezpečnostné informácie, ktoré treba dôsledne dodržiavať.



Všetky zmeny vo vlastnostiach alebo fungovaní končatiny, napr. obmedzený pohyb, drhnutie pri pohybe alebo nezvyčajné zvuky, treba ihneď nahlásiť servisnému pracovníkovi.



Pri kráčaní dolu schodmi a vždy, keď je k dispozícii, sa držte zábradlia.



Pomôcka nie je vhodná na extrémne športy, beh ani cyklistické závody, ľadové ani snehové športy, extrémne svahy ani schody. Absolvovanie takýchto aktivít je výhradne na riziko používateľa. Rekreačná cyklistika je povolená.



Skladanie, údržbu a opravu pomôcky sme vykonávať len primerane kvalifikovaný klinický pracovník.



Používateľ sa má v prípade zmeny zdravotného stavu obrátiť na klinického pracovníka.



Pri šoférovaní dbajte na to, aby sa používali len vhodne upravené vozidlá. Pri riadení motorového vozidla sa od každého očakáva dodržiavanie príslušných zákonov o cestnej premávke.

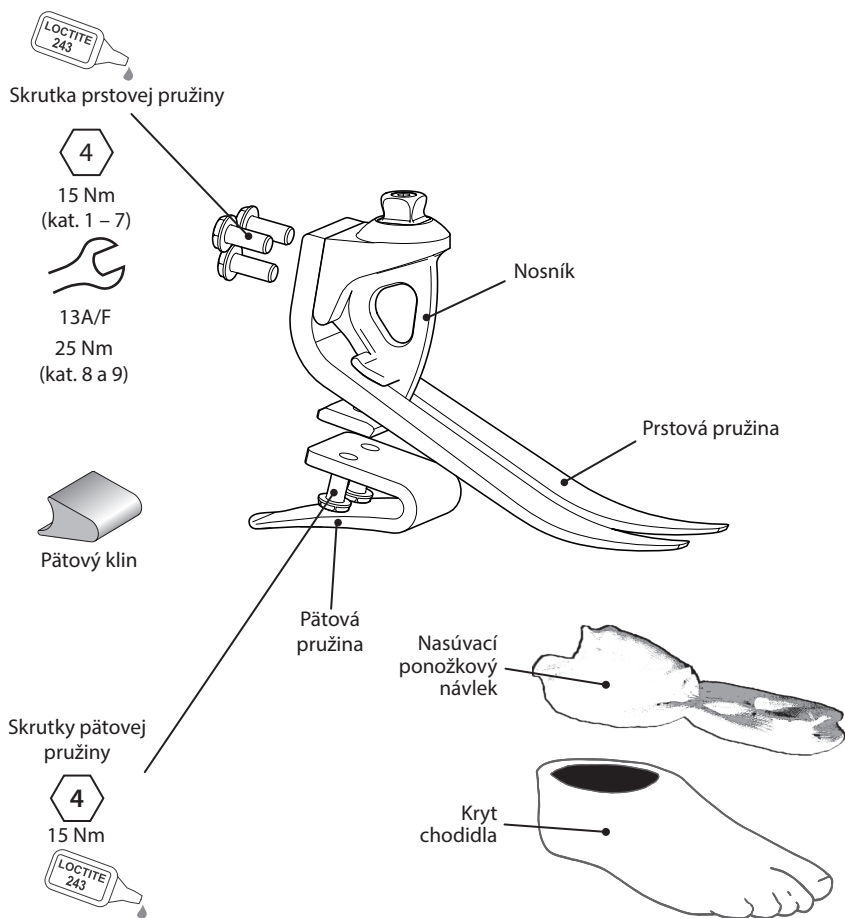


Na minimalizovanie rizika pošmyknutia alebo zakopnutia je potrebné neustále nosiť obuv, ktorá bezpečne prilieha ku krytu chodidla.

### 3 Konštrukcia

#### Hlavné diely:

- Nosníková súprava (hliník/nehrdzavejúca oceľ/titán)
- Päťové a prstové pružiny (e-uhlík)
- Skrutky na prichytenie pružín (titán)
- Nasúvací ponožkový návlek (UHM PE)
- Kryt chodidla (PU)



---

## 4 Funkcia

Pomôcku tvorí prst z e-uhlíka a nezávislá päťová pružina.

Päťová a prstová pružina je titánovými skrutkami pripevnená k nosníku. Chodidlo je obalené ponožkovým návlakom z UHM PE na ňom je nasunutý kryt chodidla z PU.

---

## 5 Údržba

Údržbu smie vykonávať len kompetentný personál.

Odporúčame túto každoročnú údržbu:

- Stiahnite kryt chodidla a nasúvací ponožkový návlak, skontrolujte, či protéza nie je poškodená alebo opotrebovaná, a v prípade potreby ju vymeňte.
- Skontrolujte dotiahnutie všetkých skrutiek. V prípade potreby ich vyčistite a znovu dotiahnite.
- Skontrolujte, či na päťovej a prstovej pružine nie sú známky delaminácie a ak treba, vymeňte ich. Po určitom období používania sa môže objaviť menšie poškodenie povrchu, ktoré nemá vplyv na funkčnosť ani silu chodidla.

O čom by mal používateľ vedieť:

- Všetky zmeny vo vlastnostiach pomôcky treba nahlásiť odborníkovi, napr. nižší odval alebo nezvyčajné zvuky.
- Informujte odborníka aj o zmene v telesnej hmotnosti a/alebo úrovni aktivity.

Ak sa pomôcka používa pri extrémnych aktivitách, úroveň a interval údržby treba prehodnotiť a v prípade potreby má poradné a technické oddelenie naplánovať nový harmonogram údržby v závislosti od frekvencie a povahy činnosti. Na základe posúdenia lokálneho rizika by to mala stanoviť primerane kvalifikovaná osoba.

Používateľ by ma vedieť o tom, že sa odporúča pomôcku pravidelne kontrolovať zrakom. Opotrebovanie, ktoré by mohlo ovplyvniť fungovanie pomôcky, treba nahlásiť servisnému pracovníkovi (napr. významné opotrebovanie alebo nadmernú stratu farby po dlhom vystavovaní UV žiareniu).

### Čistenie

Vonkajší povrch utrite handričkou navlhčenou vo vode s jemným čistiacim prostriedkom, nepoužívajte agresívne čistiace prostriedky.

---

## 6 Obmedzenie používania

### Zamýšľaná životnosť

Na základe aktivity a používania treba posúdiť lokálne riziko.

### Zdvíhanie bremien

Hmotnosť a aktivita používateľa sa riadi stanovenými limitmi.

Nosenie bremien používateľom by malo vychádzať z posúdenia lokálnych rizík.

### Prostredie

Pomôcka je vodotesná do maximálnej hĺbky 1 meter.

Po používaní v abrazívnom prostredí, ako je napríklad prostredie s možným obsahom piesku alebo kamienkov, pomôcku dôkladne opláchnite vodou, aby sa predišlo opotrebovaniu alebo poškodeniu pohyblivých častí.

Po použití v slanej alebo chlóranej vode pomôcku dôkladne opláchnite vodou.

Jednotlivé časti chodidla musia mať primeranú povrchovú úpravu, aby sa podľa možnosti predišlo vniknutiu vody do krytu chodidla. Ak sa do krytu dostane voda, pred ďalším použitím ho treba otočiť na ruby a nechať vyschnúť.

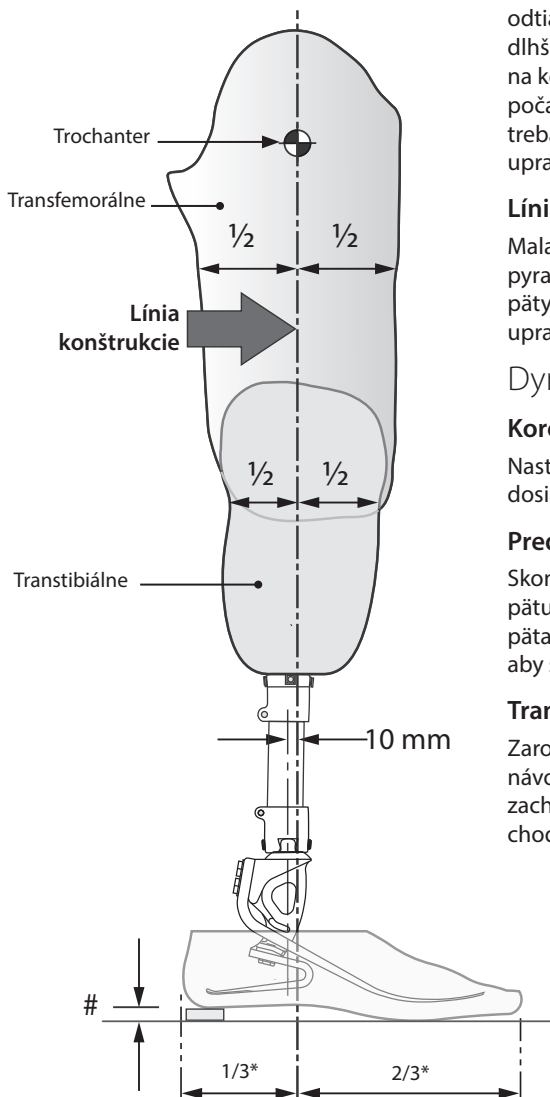
Používajte výhradne pri teplotách od -15 °C do 50 °C.



Možno ponárať

## 7 Zarovnanie osadenia

### 7.1 Statické zarovnanie



#### Nastavovacia dĺžka

S riadne nastaveným ohybom, pritiahnutím a odtiahnutím nastavte dĺžku končatiny o 5 mm dlhšiu než zdravá strana, aby vznikol priestor na kompresiu a ohyb chodidlových pružín počas chôdze. Po začatí dynamických skúšok treba nastavenie posúdiť znovu a primerane upraviť dĺžku.

#### Línia konštrukcie

Mala by sa nachádzať 10 mm pred stredom pyramídy (podľa toho treba upraviť výšku päty). Polohu lôžka je potrebné primerane upraviť.

#### Dynamické zarovnanie

##### Koronálna rovina

Nastavením relatívnych polôh lôžka a chodidla dosiahneme minimálny M-L ťah.

##### Predo-zadná rovina

Skontrolujte hladký prechod od dopadu na pätu po odraz prstov. Dbajte na to, aby boli päta a prsty rovnomerne zaťažené aj v stoji a aby sa dotýkali terénu.

##### Transfemorálne zarovnanie

Zarovnajete transfemorálne diely podľa návodu na osadenie priloženému ku kolenu a zachovajte zobrazený vzťah línie konštrukcie k chodidlu.

#Zohľadnite obuv používateľa

\*Približný pomer



## 8 Odporúčania pri osádzaní

Súpravy pružín sa dodávajú ako zladené páry, t. j. päťová a palcová pružina sú navrhnuté tak, aby fungovali spoločne a väčšine používateľov zabezpečovali hladký prechod.

### Päťový klin

K chodidlu sa dodáva päťový klin. Osadenie klinu znehybní päťovú pružinu. Na skúšku sa dá pripevniť páskou. Pri trvalom osadení treba kliny prichytiť na miesto nanosením Loctitu 424 (926104) medzi spodnú kontaktnú plochu päty a klin.

### Tvrdosť päty

Prechod cez fázu stoja by mal byť hladký. Kľúčové pri tomto procese je fungovanie päty:

- Príliš mäkká päta alebo príliš dozadu posunutá línia zaťaženia bude mať za následok prepad pri dopade na päta a problém pri prechode cez prsty.
- Príliš tvrdá päta alebo línia zaťaženia príliš vzadu bude mať za následok rýchly prechod cez stred stoja alebo trasenie pri dopade na päta.

	Príznaky	Riešenie
<b>Príliš mäkká päta</b>	<ul style="list-style-type: none"><li>• Prepád pri dopade na päta</li><li>• Problém pri prechode cez prsty (prsty sú príliš tvrdé)</li></ul>	<ol style="list-style-type: none"><li>1. Pridajte päťový klin</li><li>2. Lôžko posuňte dopredu v porovnaní s päťou (nadmerná vôľa by mohla mať za následok prepád)</li><li>3. Ak nepomôže 1. ani 2. možnosť, použite tvrdšiu súpravu pružín</li></ol>
<b>Príliš tvrdá päta</b>	<ul style="list-style-type: none"><li>• Rýchly prechod od dopadu na päta cez fázu stoja</li><li>• Ťažkosti s ovládaním päty, chodidlo sa v strede stoja trasie</li><li>• Noha pôsobí príliš tuho</li></ul>	<ol style="list-style-type: none"><li>1. Vyberte päťový klin (ak je osadený)</li><li>2. Posuňte lôžko dozadu vo vzťahu k chodidlu</li><li>3. Ak nepomôže 1. ani 2. možnosť, použite mäkšiu súpravu pružín</li></ol>
<b>Palce/list je príliš mäkký</b>	<ul style="list-style-type: none"><li>• Rýchly prechod cez stred stoja</li><li>• „Prepad“ pri vyšších úrovniach aktivity</li></ul>	<ol style="list-style-type: none"><li>1. Posuňte lôžko dozadu vo vzťahu k chodidlu</li><li>2. Zľahka ohnite chodidlo nadol. Poznámka: možno bude potrebné opakované zarovnanie</li></ol>

Ak sa vám ani po dodržaní vyššie uvedených rád nedarí dosiahnuť hladkú chôdzu, obráťte sa na dodávateľa.

## 9 Návod na demontáž



**Vždy používajte primerané prostriedky osobnej ochrany, aj extrakčné zariadenia.**



**Dávajte pozor na riziko zachytenia prstov.**

1



Nožom opatrne odstráňte penovú kozmeticko-estetickú časť, ktorá sa mohla zachytiť na kryte chodidla.

2



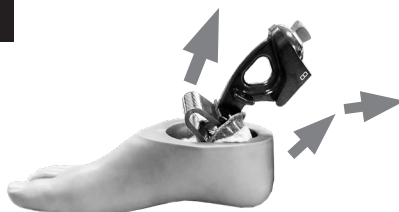
Z nosníka vymontujte zaistovacie skrutky a potiahnite prstovú pružinu k zadnej časti chodidla.

3



Vyberte prstovú pružinu a vnútri krytu chodidla nechajte len nosník/súpravu pätovej pružiny.

4



Otočte nosník/súpravu pätovej pružiny k zadnej časti chodidla a vysuňte pružinu z krytu.

## 10 Návod na montáž

1



Namontujte pätovú pružinu na nosník podľa obrázka.

2



Použite špeciálny imbusový kľúč 940080, redukciu na vidlicový kľúč 940081 alebo vidlicový kľúč 13A/F 940273. Použite Loctite 243 (926012) a doťahovací moment 15 Nm.

3



S Loctitom 243 (926012) naneseným na skrutkách priskrutkujte prstovú pružinu k nosníku.

1. Pri hodnotách pružiny 1 až 7 použite imbusový kľúč 4 a doťahovací moment 15 Nm. Nepoužívajte vonkajší šesťhran, ten je v prípade potreby určený na uvoľnenie skrutky.

2. Pri hodnotách pružiny 8 a 9 použite imbusový kľúč 13 a doťahovací moment 25 Nm.

4



Dbajte na to, aby bolo na ľavej strane nosníka vyznačené správne číslo súpravy pružín. Na prekrytie nechcených častí použite čierny popisovač.

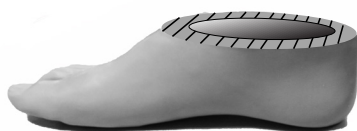
5

Nasúvací ponožkový návlek



Na prstovú a pätovú pružinu a súpravu nosníka navlečte nasúvací ponožkový návlek podľa obrázka.

6



Ak treba osadiť penovú kozmeticko-estetickú časť, zdrsňte vrchnú časť krytu chodidla, čím sa vytvorí ideálny spojovací povrch.

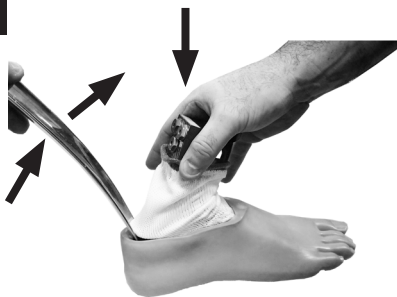
7

Miesto prstovej pružiny  
v kryte chodidla



Zasuňte celú súpravu do krytu chodidla. Dbajte na správne dosadenie do štrbiny na prstovú pružinu.

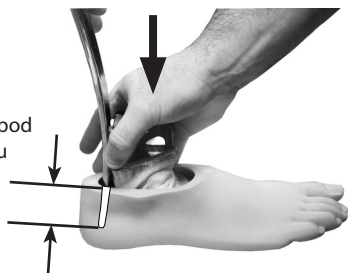
8



Medzi päťovú pružinu a zadnú časť otvoru na kryte chodidla zasuňte kovový obuvák a zatlačte pružinu do vnútra krytu.

9

30 mm pod  
päťou



Zatlačte päťovú pružinu do krytu ako na obrázku. Obuvák by sa mal nachádzať pribl. 30 mm pod vrchnou stranou krytu chodidla

10

Miesto štrbiny na  
päťovú pružinu



Dbajte na to, aby bola päťová pružina správne zasunutá na miesto v kryte chodidla.

11

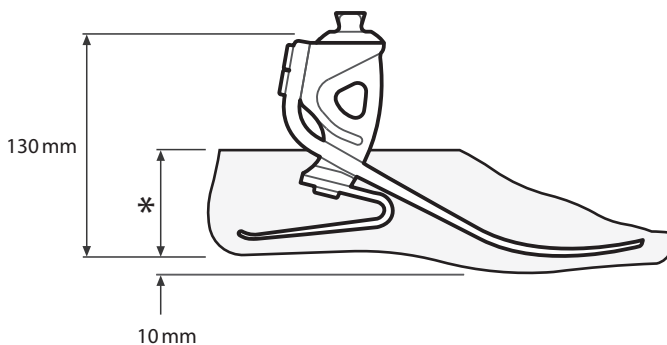


Lepidlom Thixofix (926204) alebo jeho ekvivalentom prilepte penovú kozmeticko-estetickú časť na vrchnú stranu krytu chodidla.

# 11 Technické údaje

Rozsah prevádzkovej a skladovacej teploty:	-15 °C až 50 °C
Hmotnosť dielu (veľkosť 26):	680 g
Úroveň aktivity	3 – 4
Maximálna hmotnosť používateľa:	166 kg
Diel na proximálne zarovnanie:	Samčia pyramída (Blatchford)
Nastavovací rozsah:	Uhol $\pm 7^\circ$
Výška konštrukcie: (pozri nákres nižšie)	130 mm
Výška päty:	10 mm

## Dĺžka osadenia



\* Veľkosti  
22 – 26 = 65 mm  
27 – 28 = 70 mm  
29 – 30 = 75 mm

# 12 Informácie pri objednávaní

## Príklad objednávky

<b>EL</b>	<b>25</b>	<b>L</b>	<b>N</b>	<b>3</b>	<b>S</b>
	Veľkosť	Strana (L/P)	Šírka* (N/W)	Kategória súpravy pružín	Sandálové prsty

napr. EL25LN3S

(ak chcete tmavý odtieň krytu chodidla,  
pripíšte „D“)

K dispozícii od  
veľkosti 22 do 30:  
EL22L1S až EL30R9S  
EL22L1SD až EL30R9SD

\*Len veľkosti 25–28. Pri všetkých ostatných veľkostiach vynechajte políčko Šírka.

## Súprava pružín

Súprava pružín	Veľkosť chodidla			
	22 – 24	25 – 26	27 – 28	29 – 30
Súprava 1	539701S	539710S	539719S	Špeciálna objednávka
Súprava 2	539702S	539711S	539720S	Špeciálna objednávka
Súprava 3	539703S	539712S	539721S	539730S
Súprava 4	539704S	539713S	539722S	539731S
Súprava 5	539705S	539714S	539723S	539732S
Súprava 6	539706S	539715S	539724S	539733S
Súprava 7	539707S	539716S	539725S	539734S
Súprava 8	539708S	539717S	539726S	539735S
Súprava 9		539718S	539727S	539736S

## Kryt chodidla

(Pri tmavom odtieni pripíšte „D“)

Veľkosť/strana	Úzke	Široké
22L	539038S	-
22R	539039S	-
23L	539040S	-
23R	539041S	-
24L	539042S	-
24R	539043S	-
25L	539044SN	539044SW
25R	539045SN	539045SW
26L	539046SN	539046SW
26R	539047SN	539047SW
27L	539048SN	539048SW
27R	539049SN	539049SW
28L	539050SN	539050SW
28R	539051SN	539051SW
29L	-	539052S
29R	-	539053S
30L	-	539054S
30R	-	539055S

## Nasúvací ponožkový návlek

Veľkosti 22 – 24	531011
Veľkosti 25 – 30	532811

## Ručenie

Výrobca odporúča používať pomôcku výhradne podľa špecifikovaných podmienok a na to, na čo je určená. Pomôcka sa musí udržiavať podľa priloženého návodu na použitie. Výrobca nezodpovedá za nežiaduci výsledok spôsobený kombináciou ním neschválených komponentov.

## Súlad s CE

Tento produkt spĺňa požiadavky nariadenia EÚ 2017/745 o zdravotníckych pomôckach. Produkt je klasifikovaný ako produkt triedy I podľa klasifikačných pravidiel v Dodatku VIII nariadenia. Certifikát o vyhlásení o zhode CE je k dispozícii na nasledujúcej internetovej adrese: [www.blatchford.co.uk](http://www.blatchford.co.uk)



Zdravotnícka pomôcka



Jeden pacient – viacnásobné použitie

## Kompatibilitnosť

Kombinovanie s produktmi značky Blatchford je schválené na základe testovania v súlade s príslušnými normami a MDR vrátane štrukturálnej skúšky, rozmerovej kompatibility a vlastností v monitorovanej oblasti.

Kombinovanie s alternatívnymi produktmi so značkou CE treba vykonávať s ohľadom na zdokumentované posúdenie lokálnych rizík odborníkom.

## Záruka

Na pomôcku sa vzťahuje 36-mesačná záruka – na kryt chodidla 12 mesiacov – na nasúvací ponožkový návlek 3 mesiace.

Používateľ by mal vedieť, že zmeny alebo úpravy bez jeho výslovného súhlasu by mohli ukončiť platnosť záruky, prevádzkových licencií a výnimiek.

Celé vyhlásenie o záruke nájdete na webovej stránke spoločnosti Blatchford.

## Nahlasovanie závažných incidentov

V nepravdepodobnom prípade závažného incidentu v súvislosti s pomôckou ho treba nahlásiť výrobcovi a kompetentnému štátnemu úradu.

## Environmentálne aspekty

Tam, kde je to možné, by sa jednotlivé diely mali recyklovať v súlade s miestnymi nariadeniami o nakladaní s odpadom.

## Odloženie štítka na balení

Odporúčame odložiť si štítky z balenia ako záznam o dodanej pomôčke.

## Sídlo výrobcu

Blatchford Products Limited, Lister Road, Basingstoke RG22 4AH.

## Potvrdenie o obchodnej známke

Značky Elite Foot a Blatchford sú registrované obchodné známky spoločnosti Blatchford Products Limited.

Tartalom.....	72
1 Leírás és tervezett felhasználás .....	73
2 Biztonsági információk.....	75
3 Felépítés .....	76
4 Működés.....	77
5 Karbantartás.....	77
6 A használatot érintő korlátozások.....	77
7 Szintillesztés.....	78
8 Az illesztésre vonatkozó tanácsok.....	79
9 Szétszerelési útmutató .....	80
10 Összeszerelési instrukciók.....	81
11 Műszaki adatok .....	83
12 Rendelési információk.....	84



---

# 1 Leírás és tervezett felhasználás

Ezek az instrukciók az orvosnak szólnak.

A jelen Használati útmutatóban az eszköz kifejezés az Elite2-re utal.

## Alkalmazás

Ez az eszköz kizárólag alsó végtagprotézis részeként alkalmazható.

Egyetlen felhasználónál való használatra szolgál.

Nagy energia-visszaadású lábfej. A független sarok- és lábujjrugók tengelyirányú kitérését biztosítanak. A különálló lábujj jó talajfogást biztosít.

## Aktivitási szint

Az eszköz olyan felhasználóknak javasolt, akiknél fennáll a lehetősége a 3. vagy 4. aktivitási szint elérésének. Természetesen vannak kivételek, és ajánlásainkban lehetőséget kívánunk adni az egyedi, egyéni körülményeknek, és minden ilyen döntést józan és alapos indoklással kell meghozni.

### 1. aktivitási szint

Képesség vagy lehetőség a protézis alkalmazására sík felületeken állandó ütemben való átkelésre vagy járásra. Jellemző a korlátozott vagy korlátlan otthon végzett járásra.

### 2. aktivitási szint

Képesség vagy lehetőség járásra, alacsony magasságú környezeti akadályokon, például útpadkán, lépcsőn vagy egyenletes felületeken való áthaladásra. Jellemző az otthonát elhagyni képes felhasználóra.

### 3. aktivitási szint

Képesség vagy lehetőség változó ütemű járásra. Jellemző a közösségben mozgó felhasználóra, aki képes áthaladni a legtöbb környezeti akadályon, és olyan foglalkozásbeli, terápiás vagy sporttevékenységet űz, amely a protézis egyszerű helyváltoztatáson túli igénybevételével jár.

### 4. aktivitási szint

Képesség vagy lehetőség protézissel végzett olyan járásra, amely túllép az alapvető járási képességeken, erős behatást, nagy terhelést vagy energiaszintet mutat. A gyermekek, az aktív felnőttek vagy a sportolók protetikusan igényeire jellemző.

## Ellenjavallatok

Lehetséges, hogy ez az eszköz nem alkalmas 1. aktivitási szintű személyeknek vagy versenysportra, mivel ezeket a felhasználókat jobban szolgálja olyan, speciálisan kialakított protézis, amely az ő szükségleteikre van optimalizálva.

Győződjön meg arról, hogy a felhasználó megértette a teljes használati útmutatót, különösen felhívjuk figyelmét a karbantartásra vonatkozó részre.

## Klinikai előnyök

- Függőlegesen enged az ütődések csillapítása érdekében
- Nagymértékű mobilitás az aktív felhasználók részére
- A protézis javított oldalsó eltolása
- Nagyobb járási sebesség

## A rugókészlet kiválasztása

### A felhasználó testsúlya [kg]

44–52 53–59 ( 60–68 69–77 78–88 89–100 101–116 117–130 131–147 148–166

Behatás

### 3. aktivitási szint: Lábfejrugó-készlet

Alacsony

1 1 2 3 4 5 6 7 8 9

### 4. aktivitási szint: Lábfejrugó-készlet

Közepes

1 2 3 4 5 6 7 8 9

Maga

2 3 4 5 6 7 8 9

Alacsony Napi séta és alkalmankénti sport, például golf és túrázás

Közepes Gyors gyaloglás, gyakori vagy napi szintű sport, például kocogás

Magas Napi szintű aktivitás, például távfutás, hegymászás, súlyemelés és nehéz tárgyak cipelése foglalkozással összefüggően

## Fontos:

**A magasabb behatással járó aktivitású felhasználók esetén ne lépje túl a testsúly határértékét az egyes rugóknál.**

Megjegyzés... Ha két kategória közötti választásban bizonytalan, válassza a magasabb besorolású rugókészletet.

**Az itt látható lábfejrugó-készlet ajánlás transztibiális felhasználók számára készült.**

**Azt javasoljuk, hogy transzfemorális amputált felhasználóknak egy kategóriával alacsonyabb rugókészletet válasszanak a kielégítő működés és mozgástartomány biztosítása érdekében, lásd 8 *Az illesztésre vonatkozó tanácsok* szakaszban.**

## 2 Biztonsági információk



Ez a figyelmeztető szimbólum kiemeli a fontos biztonsági információkat, amelyeket gondosan követni kell.



A végtag teljesítményében vagy működésében jelentkező bármilyen változást, például korlátozott mozgást, nem sima mozgást vagy szokatlan zajt haladéktalanul jelenteni kell a szolgáltatónak.



Lépcsőn lefelé menet és bármikor, amikor rendelkezésre áll, használjon korlátot.



Az eszköz nem alkalmas extrém sportokra, futásra vagy kerékpárversenyre, jégen és havon végzett sportokra, extrém lejtőkre és lépcsőkre. Bármilyen hasonló tevékenységet teljes mértékben a felhasználó saját kockázatára végez. A rekreációs kerékpározás elfogadható.



Az eszköz összeszerelését, karbantartását és javítását kizárólag megfelelően képzett orvos végezheti.



A felhasználó forduljon a klinikushoz, ha állapota változik.



Ügyeljen arra, hogy vezetéskor csak megfelelően átalakított járművet használjon. Gépjárművek működtetése során minden személynek be kell tartania a vonatkozó vezetési jogszabályokat.

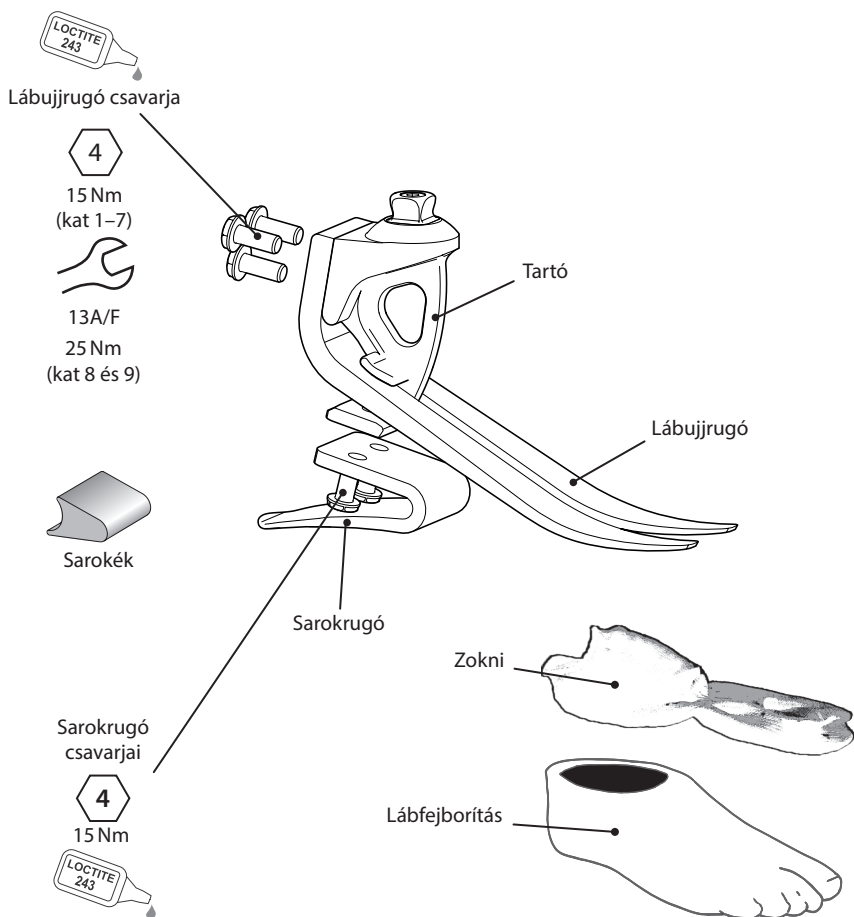


A megcsúszás és megbotlás kockázatának minimálisra csökkentése érdekében mindig megfelelő lábbelit kell viselni, amely biztonságosan illeszkedik a lábfejbőrítésre.

# 3 Felépítés

## Fő alkatrészek:

- Tartóegység (aluminium/rozsdamentes acél/titán)
- Sarok- és lábujjrugók (e-karbon)
- Rugórögzítő csavarok (titán)
- Zokni (UHM PE)
- Lábfejborítás (PU)



## 4 Működés

Ez az eszköz e-karbon lábujjból és független sarokrugóból áll.

A sarok- és lábujjrugók titán csavarokkal vannak rögzítve a tartóhoz. A lábra ultranagy molekulatömegű PE zoknit húznak, amelyet PU lábfejborítás vesz körül.

## 5 Karbantartás

A karbantartást hozzáértő személynek kell végeznie.

A következő éves karbantartást javasoljuk:

- Vegye le a lábfejborítást és a zoknit, ellenőrizze, hogy nincs-e sérülés vagy kopás, és szükség esetén cserélje ki.
- Ellenőrizze az összes csavar szorosságát, szükség esetén tisztítsa meg és szerelje össze újra.
- Ellenőrizze a sarok- és a lábujjrugókat, hogy nem váltak-e szét vagy nem koptak-e el, és szükség esetén cserélje ki őket. Néhány kisebb felületi sérülés előfordulhat a használat során. Ez nem befolyásolja a lábfej működését vagy erejét.

A felhasználót a következőkről kell tájékoztatni:

- Az eszköz teljesítményének minden változásáról, például az energia-visszaadás csökkenéséről vagy a szokatlan zajokról be kell számolni az orvosnak.
- Az orvost tájékoztatni kell a testsúly és/vagy az aktivitási szint bármilyen változásáról is.

Amennyiben ezt az eszközt extrém aktivitáshoz használják, a karbantartási szintet és intervallumot felül kell vizsgálni, és szükség esetén tanácsot és műszaki támogatást kell kérni új karbantartási ütemezés tervezésére az aktivitás gyakoriságától és természetétől függően. Ezt helyi kockázatértékeléssel kell meghatározni, amelyet megfelelően képzett személy végez el.

A felhasználót tájékoztatni kell arról, hogy a lábfej rendszeres, szemrevételezéssel történő ellenőrzése javasolt, és a működést esetleg befolyásoló kopás jeleit jelenteni kell a szolgáltatónak (pl. jelentős kopás vagy túlzott elszíneződés UV sugárzásnak való hosszan tartó expozíció miatt).

### Tisztítás

Nedves ruhával és enyhe szappanos vízzel tisztítsa meg a külső felületeket. Ne használjon agresszív tisztítószereket.

## 6 A használatot érintő korlátozások

### A tervezett élet

Helyi kockázatértékelést kell elvégezni az aktivitás és a felhasználás alapján.

### Súlyok emelése

A felhasználó súlyát és aktivitását a megállapított határértékek szabályozzák.

A felhasználó által vitt súlyt a helyi kockázatértékelés alapján kell meghatározni.

### Környezet

Ez az eszköz legfeljebb 1 méter mélységig vízálló.

A mozgó alkatrészek kopásának vagy sérülésének megelőzése érdekében alaposan öblítse át az eszközt édesvízzel, ha dörzshatású – például homokos vagy poros – környezetben használta.

Sós vagy klóros vízben való használatot követően alaposan öblítse el friss vízben.

A lábfejegység felületét megfelelően kell kialakítani ahhoz, hogy, amikor csak lehetséges, megelőzzék a víz bejutását a lábfejborításba. Ha víz jut a lábfejborításba, meg kell fordítani és szárítani a további használat előtt.

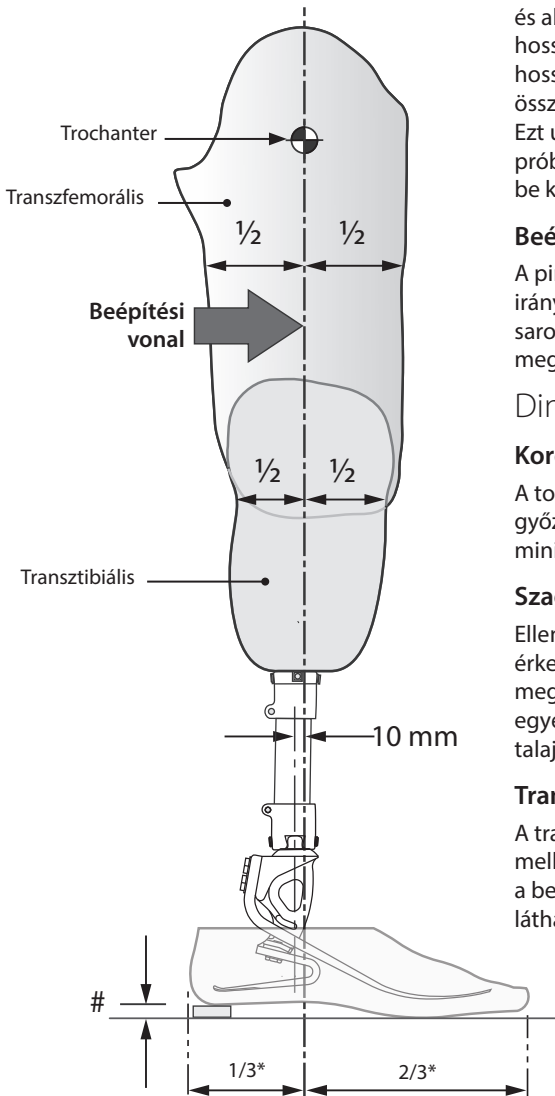


Kizárólag -15 °C és 50 °C közötti használatra.

Vízbe merítésre alkalmas

## 7 Szintillesztés

### 7.1 Statikus illesztés



#### A beállítás hossza

A megfelelően beállított flexió, addukció és abdukció mellett állítsa a végtag hosszát az egészséges oldalnál 5 mm-rel hosszabbra, hogy járás közben a lábfejrugók összenyomódhassanak és kitérhessenek. Ezt újra kell értékelni, amikor a dinamikus próba elkezdődik, és a hosszt megfelelően be kell állítani.

#### Beépítési vonal

A piramis középpontjából 10 mm-rel anterior irányba kell esnie (megfelelően beállított sarokmagasság mellett) A tokot ennek megfelelően kell elhelyezni.

#### Dinamikus illesztés

##### Koronális sík

A tok és a lábfej relatív pozíciójának állításával győződjön meg arról, hogy az M-L eltolás minimális.

##### Szagittális sík

Ellenőrizze a sima átmenetet a sarok talajra érkezésétől a lábujj felemeléséig. Győződjön meg arról is, hogy álláskor a sarok és a lábujjak egyenlő terhelést kapnak, és mindegyik éri a talajt.

##### Transzfemorális illesztés

A transzfemorális alkotóelemeket a térdhez mellékelt illesztési utasítások szerint igazítsa, a beépítési vonalat a lábfejhez képest az ábrán látható módon tartva.

#Hagyja meg a felhasználó saját lábbelijének

\*Hozzávetőleges arány

## 8 Az illesztésre vonatkozó tanácsok

A rugókészleteket egymáshoz illő párokban biztosítjuk, vagyis a sarok- és a lábujjrugók úgy készültek, hogy együttműködjenek abban, hogy a legtöbb felhasználó számára sima előrehaladást nyújtsanak.

### Sarokék

A lábfejhez sarokék tartozik. Az ék behelyezése a sarokrugót merevebbé teszi. Próbaképpen ragasztószalaggal a helyére ragasztható. Állandó rögzítésre az ékeket a sarok és az ék alsó érintkező felületén Loctite 424 pillanatragasztó (926104) alkalmazásával kell rögzíteni.

### A sarok merevsége

A támaszfázis során az előrehaladásnak simának kell lennie; a sarok funkciója kulcsfontosságú ebben a folyamatban:

- A túl puha sarok vagy a túlságosan hátul elhelyezkedő terhelési vonal a sarok talajra érkezésekor süllyedést okoz és azt, hogy nehéz a lábujjon túljutni.
- A túl kemény sarok vagy a túlságosan elől lévő terhelési vonal túl gyors átgördülést vagy a sarok talajra érkezésénél csikorgást eredményez.

	Tünetek	Megoldás
<b>A sarok túl puha</b>	<ul style="list-style-type: none"><li>• Süllyedés a sarok talajra érkezésekor</li><li>• Nehéz a lábujjakra terhelni (a lábujj túl keménynek érződik)</li></ul>	<ol style="list-style-type: none"><li>1. Használjon sarokéket</li><li>2. Mozdítsa a tokot a lábfejhez képest anterior irányba (a túl nagy mozgás leeséshez vezethet)</li><li>3. Ha az 1. és a 2. megoldás sikertelen, helyezzen be merevítő rugókészletet</li></ol>
<b>A sarok túl kemény</b>	<ul style="list-style-type: none"><li>• Gyors átmenet a sarok talajra érkezésétől a támaszfázison át</li><li>• Nehéz a sarok működésének kontrollálása, a lábfej átgördüléskor nyikorog</li><li>• A lábfej túl merevnek érződik</li></ul>	<ol style="list-style-type: none"><li>1. Távolítsa el a sarokéket (ha használt)</li><li>2. Mozdítsa el a tokot a lábfejhez képest posterior irányba</li><li>3. Ha az 1. és a 2. megoldás sikertelen, helyezzen be puhább rugókészletet</li></ol>
<b>A lábujj/penge túl puha</b>	<ul style="list-style-type: none"><li>• Gyors haladás az átgördülésen.</li><li>• „Leesés” magasabb aktivitási szinteken</li></ul>	<ol style="list-style-type: none"><li>1. Mozdítsa el a tokot a lábfejhez képest posterior irányba</li><li>2. Kissé hajlítsa meg plantáris irányban a lábfejet – megjegyzés: szükség lehet valamennyi újraigazításra</li></ol>

Ha nem tud sima járást elérni a fenti tanács követése után, forduljon a beszállítóhoz.

## 9 Szétszerelési útmutató



**Mindig használjon megfelelő egészségvédő és biztonsági felszerelést, ideértve az eltávolító eszközöket.**



**Mindig figyeljen az ujj becsípődésének veszélyére.**

1



Késsel óvatosan távolítson el minden habkozmeziszt, amely a lábfejborításhoz ragadhatott.

2



Távolítsa el a rögzítőcsavarokat a tokból, és húzza a lábujjrugót a lábfej hátsó része felé.

3



A tartó/sarokrugó egységet a lábfejborításban hagyva távolítsa el a lábujjrugót.

4



Fordítsa a tartó/sarokrugó egységet a lábfej hátsó része felé, hogy a rugó kioldódjon a lábfejborításban lévő helyéből.



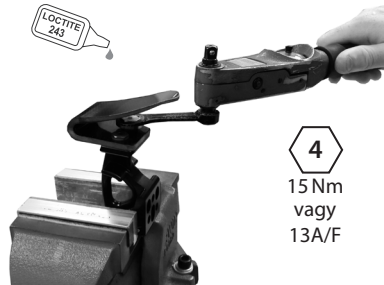
# 10 Összeszerelési instrukciók

1



Szerelje fel a sarokrugót a tartóra az ábrán látható módon.

2



Használjon speciális 940080 imbuszkulcsot, 940081 nyomatékkulcs-adaptert vagy 940273 13A/F csavarrögzítőt. Használjon Loctite 243 csavarrögzítőt (926012), és húzza meg 15 Nm nyomatékra.

3



Rögzítse a lábujjrugót a tartóra, a csavarokon Loctite 243 csavarrögzítőt (926012) alkalmazva.

1. Az 1–7. osztályú rugóknál alkalmazzon 4 A/F imbuszkulcsot, és húzza meg 15 Nm nyomatékra. Ne használjon külső imbuszkulcsot, az a csavar meglazítására szolgál, ha szükséges.  
2. A 8. és 9. osztályú rugóknál alkalmazzon 13 A/F csavarrögzítőt, és húzza meg 25 Nm nyomatékra.

4



Győződjön meg arról, hogy a helyes rugókészletszám jelölve van a tartó bal oldalán. Fekete filctollal fedje el a nemkívánatos részeket.

5



Illesse a zoknit a lábujjrugóra, a sarokrugóra és a tartóegységre az ábrán látható módon.

6



Ha habkozmezist helyez fel, érdesítse fel a lábfejborítás felül lévő felszínét, hogy ideális kötőfelületet biztosítson.

7



A lábujjrugó helye a lábfejborításban

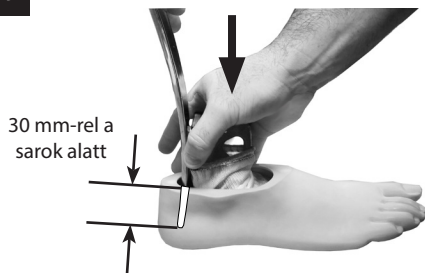
Csúsztassa a teljes egységet a lábfejborításba. Ellenőrizze a megfelelő illeszkedést a lábujjrugó hornyába.

8



Csúsztasson fém cipőkanalat a sarokrugó és a lábfejborítás nyílásának hátsó része közé, és engedje le a rugót a lábfejborításba.

9



30 mm-rel a sarok alatt

Nyomja a sarokrugót a borításban a helyére az ábrán látható módon. A cipőkanalat körülbelül 30 mm-rel a lábfejborítás felső felszíne alá kell elhelyezni.

10

sarokrugó helyének hornyá



Győződjön meg arról, hogy a sarokrugó megfelelően illeszkedik a lábfejborításban lévő hornyába.

11

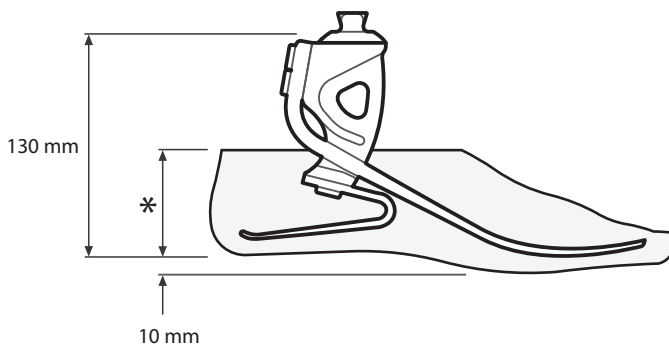


Thixofix ragasztóval (926204) vagy annak megfelelő ragasztóval rögzítse a habkozmezist a lábfejborítás felső felszínéhez az ábrán látható módon, és formázza, hogy illeszkedjen.

# 11 Műszaki adatok

Üzemi és tárolási hőmérséklet-tartomány	-15 °C–50 °C
Az alkatrész súlya (26-os méret):	680 g
Aktivítási szint:	3–4
A felhasználó maximális súlya:	166 kg
Proximális igazítás csatlakozása:	csatlakozódugós piramis (Blatchford)
Az igazítás tartománya:	±7°-os szög
A szerkezet magassága: (Lásd az alábbi ábrát)	130 mm
Sarokmagasság:	10 mm

## Illesztési magasság



\* Méretek  
22–26 = 65 mm  
27–28 = 70 mm  
29–30 = 75 mm

# 12 Rendelési információk

## Megrendelési példa

<b>EL</b>	<b>25</b>	<b>L</b>	<b>N</b>	<b>3</b>	<b>S</b>
	Méret	Oldal (B/J)	Szélesség* (K/Sz)	A rugókészlet kategóriája	Szandál lábujj

pl. EL25LN3S

\* Csak 25–28-es méret. Minden más méretnél hagyja  
üresen a Szélesség mezőt.

## Rugókészlet

Rugókészlet	Lábfejméret			
	22–24	25–26	27–28	29–30
1. készlet	539701S	539710S	539719S	Speciális rendelés
2. készlet	539702S	539711S	539720S	Speciális rendelés
3. készlet	539703S	539712S	539721S	539730S
4. készlet	539704S	539713S	539722S	539731S
5. készlet	539705S	539714S	539723S	539732S
6. készlet	539706S	539715S	539724S	539733S
7. készlet	539707S	539716S	539725S	539734S
8. készlet	539708S	539717S	539726S	539735S
9. készlet		539718S	539727S	539736S

## Lábfejborítás

(Sötét színűhöz tegye  
hozzá a „D” jelzést)

Méret/Oldal	Keskeny	Széles
22L	539038S	-
22R	539039S	-
23L	539040S	-
23R	539041S	-
24L	539042S	-
24R	539043S	-
25L	539044SN	539044SW
25R	539045SN	539045SW
26L	539046SN	539046SW
26R	539047SN	539047SW
27L	539048SN	539048SW
27R	539049SN	539049SW
28L	539050SN	539050SW
28R	539051SN	539051SW
29L	-	539052S
29R	-	539053S
30L	-	539054S
30R	-	539055S

## Zokni

22–24-es méret	531011
25–30-as méret	532811

Kapható 22-es mérettől

30-as méretig:

EL22L1S–EL30R9S

EL22L1SD–EL30R9SD

(sötét színű lábfejborításhoz  
tegye hozzá a „D” jelzést)

## Felelősség

A gyártó azt javasolja, hogy az eszközt csak a megadott körülmények között és a tervezett célokra használják. Az eszköz karbantartását az ahhoz mellékelt használati útmutató szerint kell végezni. A gyártó nem felel semmilyen olyan nemkívánatos kimenetelért, amelyet általa jóvá nem hagyott alkatrész-kombináció okoz.

## CE-megfelelőség

Ez a termék megfelel az orvostechnikai eszközökre vonatkozó 2017/745 európai uniós rendelet követelményeinek. Ezt a terméket 1. osztályú termékként sorolták be a rendelet VIII. mellékletében meghatározott osztályozási szabályok szerint. Az európai uniós megfelelőségi nyilatkozat a következő internetes oldalon érhető el: [www.blatchford.co.uk](http://www.blatchford.co.uk)



Orvostechnikai eszköz



Egy beteg – többszöri felhasználás

## Összeférhetőség

A Blatchford márkájú termékekkel való összeállítás a vonatkozó szabványok és az orvostechnikai eszközökre vonatkozó rendelet (MDR) szerint végzett tesztelés alapján engedélyezett, ideértve a szerkezeti vizsgálatot, a méretek összeférhetőségét és az ellenőrzött helyszíni teljesítményt.

Más, CE-jelzéssel ellátott termékekkel való összeállítást orvos által végzett, dokumentált helyi kockázatértékelésre figyelemmel kell elvégezni.

## Jótállás

Az eszközre 36 hónap jótállás, a lábfejborításra 12 hónap, a zoknira pedig 3 hónap jótállás vonatkozik.

A felhasználónak tisztában kell lennie azzal, hogy a kifejezetten jóvá nem hagyott változtatások vagy módosítások érvényteleníthetik a jótállást, a működési engedélyeket és mentességeket.

A teljes jótállási nyilatkozatot lásd a Blatchford weboldalán.

## A súlyos incidensek jelentése

Abban a valószínűtlen esetben, ha súlyos incidens történne az eszközzel kapcsolatban, azt jelenteni kell a gyártónak és az illetékes nemzeti hatóságnak.

## Környezetvédelmi szempontok

Hacsak lehetséges, az alkatrészeket a helyi hulladékkezelési szabályozások szerint újra kell hasznosítani.

## A csomagolás címkéjének megőrzése

Javasoljuk, hogy őrizze meg a csomagolás címkéjét a biztosított eszköz dokumentálásaként.

## A gyártó székhelye

Blatchford Products Limited, Lister Road, Basingstoke RG22 4AH.

## Védjegyre vonatkozó elismervények

Az Elite Foot és a Blatchford a Blatchford Products Limited bejegyzett védjegye.

Περιεχόμενα.....	86
1 Περιγραφή και σκοπός για τον οποίο προορίζεται.....	87
2 Πληροφορίες για την ασφάλεια.....	89
3 Κατασκευή.....	90
4 Λειτουργία.....	91
5 Συντήρηση.....	91
6 Περιορισμοί για τη χρήση.....	91
7 Εργαστηριακή ευθυγράμμιση.....	92
8 Οδηγίες προσαρμογής.....	93
9 Οδηγίες αποσυναρμολόγησης.....	94
10 Οδηγίες συναρμολόγησης.....	95
11 Τεχνικά στοιχεία.....	97
12 Πληροφορίες παραγγελίας.....	98

# 1 Περιγραφή και σκοπός για τον οποίο προορίζεται

Οι οδηγίες χρήσης αυτές απευθύνονται στον ιατρό.

Ο όρος *συσσκευή* όπως χρησιμοποιείται σε αυτές τις οδηγίες χρήσης αναφέρεται στο Elite2.

## Εφαρμογή

Η συσκευή αυτή πρέπει να χρησιμοποιείται αποκλειστικά ως μέρος μιας πρόθεσης κάτω άκρου.

Προορίζεται για έναν μόνο χρήστη.

Ένα πέλμα με επαναφορά υψηλής ενέργειας. Τα ανεξάρτητα ελατήρια πτέρνας και δακτύλων παρέχουν αξονική αποσυμπίεση. Το διαχωρισμένο έλασμα παρέχει καλή συμμόρφωση με το έδαφος.

## Επίπεδο σωματικής δραστηριότητας

Αυτή η συσκευή συνιστάται για χρήστες με δυνατότητα επίτευξης επιπέδων σωματικής δραστηριότητας 3 ή 4. Ασφαλώς υπάρχουν εξαιρέσεις και στη σύστασή μας θέλουμε να υπάρχει πρόβλεψη για μοναδικές, ατομικές περιστάσεις και οποιαδήποτε τέτοια απόφαση θα πρέπει να λαμβάνεται με βάσιμη και διεξοδική αιτιολόγηση.

### Επίπεδο σωματικής δραστηριότητας 1

Ο χρήστης έχει την ικανότητα ή τη δυνατότητα να χρησιμοποιεί πρόθεση για μετακινήσεις ή βάδιση σε επίπεδες επιφάνειες, με σταθερό ρυθμό. Αυτό είναι χαρακτηριστικό του περιορισμένου και μη περιορισμένου περιπατητή.

### Επίπεδο σωματικής δραστηριότητας 2

Ο χρήστης έχει την ικανότητα ή τη δυνατότητα για βάδιση και μπορεί να διαβαίνει περιβαλλοντικά εμπόδια χαμηλού επιπέδου, όπως πεζοδρόμια, σκαλιά ή ανώμαλες επιφάνειες. Αυτό είναι χαρακτηριστικό του περιορισμένου περιπατητή που βγαίνει στην κοινωνία.

### Επίπεδο σωματικής δραστηριότητας 3

Ο ασθενής έχει την ικανότητα ή τη δυνατότητα για βάδιση με μεταβλητό ρυθμό.

Αυτό είναι χαρακτηριστικό του περιπατητή που βγαίνει στην κοινωνία, ο οποίος έχει την ικανότητα να διαβαίνει τα περισσότερα περιβαλλοντικά εμπόδια και μπορεί να διεξάγει επαγγελματική, θεραπευτική ή αθλητική δραστηριότητα που απαιτεί προσθετική χρήση πέρα από την απλή μετακίνηση.

### Επίπεδο σωματικής δραστηριότητας 4

Ο ασθενής έχει την ικανότητα ή τη δυνατότητα για προσθετική βάδιση που υπερβαίνει τη βασική ικανότητα βάδισης, επιδεικνύοντας υψηλά επίπεδα πρόσκρουσης, καταπόνησης ή ενέργειας. Αυτό είναι χαρακτηριστικό των προσθετικών απαιτήσεων ενός παιδιού, δραστήριου ενήλικα ή αθλητή.

## Αντενδείξεις

Αυτή η συσκευή ενδέχεται να μην είναι κατάλληλη για άτομα με επίπεδο σωματικής δραστηριότητας 1 ή για ανταγωνιστικά αθλητικά γεγονότα, καθώς αυτοί οι τύποι χρηστών θα εξυπηρετηθούν καλύτερα από μια ειδικά σχεδιασμένη πρόθεση βελτιστοποιημένη για τις ανάγκες τους.

Βεβαιωθείτε ότι ο χρήστης έχει κατανοήσει όλες τις οδηγίες χρήσης, εφιστώντας ιδιαίτερα την προσοχή στην ενότητα σχετικά με τη συντήρηση.

## Κλινικά οφέλη

- Κατακόρυφη συμμόρφωση για απορρόφηση κραδασμών
- Υψηλά επίπεδα κινητικότητας για ενεργούς χρήστες
- Βελτιωμένη προσθετική πλευρική ώθηση
- Αυξημένη ταχύτητα βάδισης

## Επιλογή σετ ελατηρίων

	Βάρος χρήστη [kg]									
	44-52	53-59	60-68	69-77	78-88	89-100	101-116	117-130	131-147	148-166
Πρόσκρουση	Επίπεδο σωματικής δραστηριότητας 3: Σετ ελατηρίων πέλματος									
Χαμηλή	1	1	2	3	4	5	6	7	8	9
	Επίπεδο σωματικής δραστηριότητας 4: Σετ ελατηρίων πέλματος									
Μέτρια	1	2	3	4	5	6	7	8	9	
Υψηλή	2	3	4	5	6	7	8	9		

Χαμηλή Καθημερινό περπάτημα και περιστασιακά αθλήματα, όπως γκολφ και πεζοπορία

Μέτρια Επιθετικό περπάτημα, συχνά ή καθημερινά αθλήματα, όπως τζόκινγκ

Υψηλή Καθημερινές δραστηριότητες, όπως τρέξιμο μεγάλων αποστάσεων, αναρρίχηση, ανύψωση και μεταφορά βαρέων αντικειμένων για επαγγελματικούς σκοπούς

### Σημαντικό:

**Για χρήστες με υψηλότερη πρόσκρουση, μην υπερβαίνετε το όριο βάρους για τα μεμονωμένα ελατήρια.**

Σημείωση... Εάν έχετε αμφιβολίες σχετικά με την επιλογή μεταξύ δύο κατηγοριών, επιλέξτε το σετ ελατηρίων με το υψηλότερο όριο.

**Οι συστάσεις για το σετ ελατηρίων πέλματος που εμφανίζονται είναι για χρήστες με διακνημιαίο σύστημα.**

**Για χρήστες με διαμηριαίο σύστημα, προτείνουμε να επιλέξετε ένα σετ ελατηρίων μία κατηγορία χαμηλότερα. Ανατρέξτε στην Ενότητα 8 Οδηγίες προσαρμογής στις για να διασφαλίσετε ικανοποιητική λειτουργία και εύρος κίνησης.**



## 2 Πληροφορίες για την ασφάλεια



Αυτό το προειδοποιητικό σύμβολο επισημαίνει σημαντικές πληροφορίες για την ασφάλεια, οι οποίες πρέπει να ακολουθούνται προσεκτικά.



Τυχόν αλλαγές στην απόδοση ή τη λειτουργία του άκρου, π.χ. περιορισμένη κίνηση, ανώμαλη κίνηση ή ασυνήθιστοι θόρυβοι, θα πρέπει να αναφέρονται αμέσως στον πάροχο υπηρεσιών σας.



Χρησιμοποιείτε πάντα χειρολισθήρα όταν κατεβαίνετε σκάλες και οποιαδήποτε άλλη στιγμή, εφόσον είναι διαθέσιμος.



Η συσκευή δεν είναι κατάλληλη για ακραία αθλήματα, αγώνες δρόμου ή ποδηλάτου, αθλήματα στον πάγο και το χιόνι, μεγάλες κλίσεις και ψηλά σκαλιά. Η συμμετοχή σε τέτοιες δραστηριότητες γίνεται αποκλειστικά με ανάληψη του κινδύνου από τους χρήστες. Η ποδηλασία αναψυχής είναι αποδεκτή.



Η συναρμολόγηση, η συντήρηση και η επισκευή της συσκευής πρέπει να διενεργούνται μόνο από ιατρό με τα κατάλληλα προσόντα.



Ο χρήστης θα πρέπει να επικοινωνήσει με τον ιατρό του σε περίπτωση αλλαγής της κατάστασής του.



Βεβαιωθείτε ότι χρησιμοποιούνται μόνο οχήματα με κατάλληλες μετατροπές κατά την οδήγηση. Όλα τα άτομα υποχρεούνται να τηρούν τους αντίστοιχους νόμους οδικής κυκλοφορίας όταν χειρίζονται μηχανοκίνητα οχήματα.

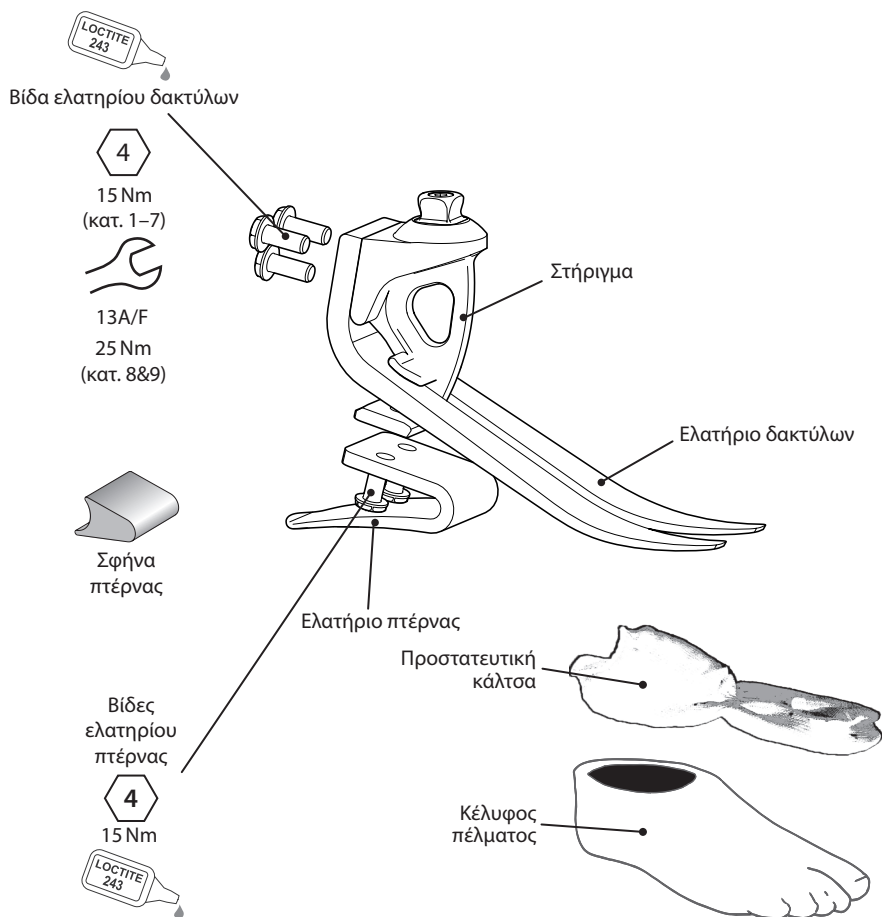


Για να ελαχιστοποιηθεί ο κίνδυνος ολίσθησης και παραπατήματος, πρέπει ανά πάσα στιγμή να χρησιμοποιούνται κατάλληλα υποδήματα που προσαρμόζονται με ασφάλεια στο κέλυφος του πέλματος.

### 3 Κατασκευή

#### Κύρια μέρη:

- Διάταξη στηρίγματος (αλουμίνιο/ανοξειδωτος χάλυβας/τιτάνιο)
- Ελατήρια πτέρνας και δακτύλων (e-Carbon)
- Βίδες στερέωσης ελατηρίων (τιτάνιο)
- Προστατευτική κάλτσα (UHM PE)
- Κέλυφος πέλματος (PU)



## 4 Λειτουργία

Αυτή η συσκευή περιλαμβάνει ένα δάκτυλο από e-carbon και ένα ανεξάρτητο ελατήριο πτέρνας.

Τα ελατήρια της πτέρνας και των δακτύλων των ποδιών προσαρτώνται στο στήριγμα χρησιμοποιώντας βίδες από τιτάνιο. Το πέλμα τυλίγεται με μια κάλτσα από UHM PE, η οποία με τη σειρά της περιβάλλεται από ένα κέλυφος πέλματος από PU.

## 5 Συντήρηση

Η συντήρηση πρέπει να εκτελείται από αρμόδιο προσωπικό.

Συνιστούμε την ακόλουθη ετήσια συντήρηση:

- Αφαιρέστε το κέλυφος πέλματος και την προστατευτική κάλτσα, ελέγξτε για τυχόν ζημιά ή φθορά και αντικαταστήστε τα, αν χρειάζεται.
- Ελέγξτε αν έχουν σφίξει καλά όλες οι βίδες, καθαρίστε και επανασυναρμολογήστε, αν χρειάζεται.
- Ελέγξτε τα ελατήρια πτέρνας και δακτύλων για σημάδια αποφλοιώσης ή φθοράς και αντικαταστήστε τα, αν χρειάζεται. Μετά από κάποιο χρόνο χρήσης μπορεί να παρατηρηθούν κάποιες μικρές επιφανειακές φθορές, το οποίο δεν επηρεάζει τη λειτουργία ή την αντοχή του πέλματος.

Ο χρήστης θα πρέπει να ενημερώνεται:

- Οποιοσδήποτε αλλαγές στην απόδοση αυτής της συσκευής πρέπει να αναφέρονται στον ιατρό, π.χ. επαναφορά μειωμένης ενέργειας ή ασυνήθιστοι θόρυβοι.
- Ο ιατρός πρέπει επίσης να ενημερώνεται για τυχόν αλλαγές στο σωματικό βάρος ή/και το επίπεδο σωματικής δραστηριότητας.

Αν αυτή η συσκευή χρησιμοποιείται για ακραία σωματική δραστηριότητα, το επίπεδο και το διάστημα συντήρησης θα πρέπει να επανεξεταστούν και, εφόσον χρειαστεί, θα πρέπει να ζητηθεί η παροχή συμβουλών και τεχνικής υποστήριξης για τον σχεδιασμό ενός νέου χρονοδιαγράμματος συντήρησης ανάλογα με τη συχνότητα και τη φύση της σωματικής δραστηριότητας. Αυτό θα πρέπει να καθοριστεί βάσει επιτόπιας αξιολόγησης κινδύνου που θα αναληφθεί από άτομο με τα κατάλληλα προσόντα.

Ο χρήστης θα πρέπει να ενημερώνεται ότι συνιστάται τακτικός οπτικός έλεγχος του πέλματος και ότι θα πρέπει να αναφέρονται στον πάροχο υπηρεσιών ενδείξεις φθοράς που μπορεί να επηρεάσουν τη λειτουργία του (π.χ. σημαντική φθορά ή υπερβολικός αποχρωματισμός από μακροχρόνια έκθεση σε υπεριώδη ακτινοβολία).

### Καθαρισμός

Χρησιμοποιήστε υγρό πανί και ήπιο σαπούνι για να καθαρίσετε τις εξωτερικές επιφάνειες και μη χρησιμοποιείτε επιθετικά καθαριστικά.

## 6 Περιορισμοί για τη χρήση

### Προβλεπόμενη διάρκεια ζωής

Θα πρέπει να διεξαχθεί επιτόπια αξιολόγηση κινδύνου βάσει της δραστηριότητας και της χρήσης.

### Άρση φορτίου

Το βάρος και η δραστηριότητα του χρήστη εξαρτώνται από τα αναφερόμενα όρια.

Η μεταφορά φορτίου από τον χρήστη θα πρέπει να βασίζεται σε επιτόπια αξιολόγηση κινδύνου.

### Περιβάλλον

Η συσκευή αυτή είναι αδιάβροχη σε μέγιστο βάθος 1 μέτρου.

Ξεπλύνετε καλά τη συσκευή αυτή με γλυκό νερό μετά τη χρήση σε διαβρωτικά περιβάλλοντα, όπως τα παράδειγμα αυτά που μπορεί να περιέχουν άμμο ή χαλίκι, ώστε να αποφύγετε τη φθορά ή την πρόκληση βλάβης στα κινούμενα μέρη.

Ξεπλύνετε καλά με γλυκό νερό μετά τη χρήση σε θαλασσινό ή χλωριωμένο νερό.

Οι μονάδες πέλματος πρέπει να έχουν επαρκή εξωτερική επένδυση, ώστε να αποτρέπεται η εισχώρηση νερού στο κέλυφος του πέλματος, εφόσον αυτό είναι δυνατό. Αν εισέλθει νερό στο κέλυφος του πέλματος, θα πρέπει να αναστραφεί και να στεγνώσει πριν από την περαιτέρω χρήση.

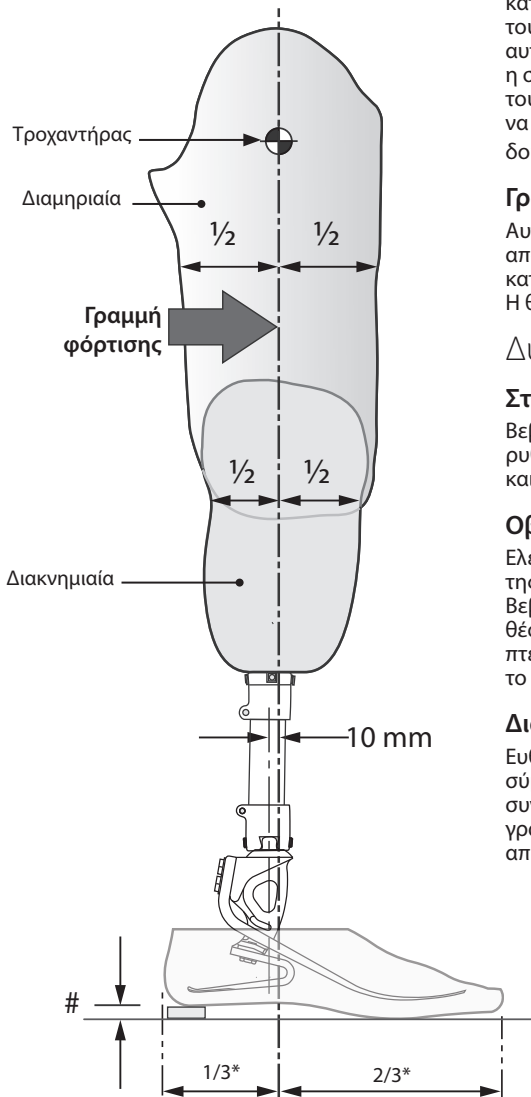
Αποκλειστικά για χρήση σε θερμοκρασία μεταξύ -15 °C και 50 °C.



Κατάλληλο για βύθιση σε υγρό

## 7 Εργαστηριακή ευθυγράμμιση

### 7.1 Στατική ευθυγράμμιση



### Ρύθμιση μήκους

Με την κάμψη, την προσαγωγή και την απαγωγή κατάλληλα προσαρμοσμένες, ρυθμίστε το μήκος του άκρου ώστε να είναι 5 mm μεγαλύτερο από αυτό της υγιούς πλευράς, ώστε να είναι δυνατή η συμπίεση και η αποσυμπίεση των ελατηρίων του πέλματος κατά τη βόδιση. Αυτό θα πρέπει να επανεκτιμάται μόλις αρχίσει η δυναμική δοκιμή, και το μήκος να προσαρμόζεται ανάλογα.

### Γραμμή φόρτισης

Αυτή θα πρέπει να βρίσκεται 10 mm μπροστά από το κέντρο της πυραμίδας (αφού έχει ληφθεί κατάλληλα υπόψη το ύψος του τακουνιού). Η θήκη πρέπει να τοποθετηθεί ανάλογα.

### Δυναμική ευθυγράμμιση

#### Στεφανιαίο επίπεδο

Βεβαιωθείτε ότι η Μ/Π ώση είναι ελάχιστη, ρυθμίζοντας τις σχετικές θέσεις της θήκης και του πέλματος.

#### Οβελιαίο επίπεδο

Ελέγξτε για ομαλή μετάβαση από την κρούση της πτέρνας στην απομάκρυνση των δακτύλων. Βεβαιωθείτε επίσης ότι κατά τη στάση σε όρθια θέση, το φορτίο κατανέμεται ομοιόμορφα στην πτέρνα και τα δάχτυλα και ότι και τα δύο αγγίζουν το δάπεδο.

#### Διαμηριαία ευθυγράμμιση

Ευθυγραμμίστε τα διαμηριαία εξαρτήματα σύμφωνα με τις οδηγίες προσαρμογής που συνοδεύουν το γόνατο, διατηρώντας τη γραμμή φόρτισης σε σχέση με το πέλμα, όπως απεικονίζεται.

#Δυνατότητα χρήσης υποδήματος επιλογής του χρήστη

\*Προσεγγιστική αναλογία

## 8 Οδηγίες προσαρμογής

Τα σετ ελατηρίων παρέχονται ως ζευγάρια που ταιριάζουν μεταξύ τους, δηλαδή το ελατήριο της πτέρνας και των δακτύλων έχουν σχεδιαστεί ώστε να συνεργάζονται και να παρέχουν ομαλή πορεία στους περισσότερους χρήστες.

### Σφήνα πτέρνας

Το πέλμα συνοδεύεται από μια σφήνα πτέρνας. Η τοποθέτηση της σφήνας έχει ως αποτέλεσμα μεγαλύτερη ακαμψία του ελατηρίου πτέρνας. Οι σφήνες μπορούν να στερεωθούν με αυτοκόλλητη ταινία για δοκιμές. Για μόνιμη τοποθέτηση, οι σφήνες πρέπει να στερεώνονται εφαρμόζοντας Loctite 424 (926104) μεταξύ της κάτω επιφάνειας επαφής της πτέρνας και της σφήνας.

### Δυσκαμψία πτέρνας

Η πορεία καθ' όλη τη διάρκεια της φάσης στήριξης πρέπει να είναι ομαλή. Η λειτουργία της πτέρνας είναι ουσιώδης για αυτή τη διαδικασία:

- Πολύ μαλακή πτέρνα ή γραμμή φόρτωσης υπερβολικά οπίσθια θα οδηγήσει σε βύθιση κατά την κρούση της πτέρνας και δυσκολία στην ανάβαση επάνω από τα δάκτυλα.
- Αν η πτέρνα είναι πολύ άκαμπτη ή η γραμμή φόρτισης είναι τοποθετημένη υπερβολικά μπροστά, αυτό θα έχει ως αποτέλεσμα πολύ γρήγορη πορεία κατά τη διάρκεια της μεσοστήριξης ή τράνταγμα κατά την κρούση της πτέρνας.

	Συμπτώματα	Επανορθωτική ενέργεια αποκατάστασης
<b>Πολύ μαλακή πτέρνα</b>	<ul style="list-style-type: none"><li>• Βύθιση κατά την κρούση της πτέρνας</li><li>• Δυσκολία στην ανάβαση ψηλότερα από το δάκτυλο (το δάκτυλο έχει την αίσθηση ότι είναι πολύ σκληρό)</li></ul>	<ol style="list-style-type: none"><li>1. Προσθέστε σφήνα πτέρνας</li><li>2. Μετακινήστε τη θήκη προς τα εμπρός σε σχέση με το πέλμα (η υπερβολική κίνηση μπορεί να οδηγήσει σε πρόωρη κάμψη)</li><li>3. Αν οι ενέργειες 1 και 2 αποτύχουν, τοποθετήστε ένα πιο σκληρό σετ ελατηρίων</li></ol>
<b>Πολύ σκληρή πτέρνα</b>	<ul style="list-style-type: none"><li>• Ταχεία μετάβαση από την κρούση της πτέρνας στη φάση στήριξης</li><li>• Δυσκολία στον έλεγχο της δράσης της πτέρνας, το πέλμα τραντάζεται κατά τη μεσοστήριξη</li><li>• Το πέλμα έχει την αίσθηση ότι είναι πολύ άκαμπτο</li></ul>	<ol style="list-style-type: none"><li>1. Αφαιρέστε τη σφήνα πτέρνας (αν έχει τοποθετηθεί)</li><li>2. Μετακινήστε τη θήκη προς τα πίσω σε σχέση με το πέλμα</li><li>3. Αν οι ενέργειες 1 και 2 αποτύχουν, τοποθετήστε ένα πιο μαλακό σετ ελατηρίων</li></ol>
<b>Πολύ μαλακό δάκτυλο/έλασμα</b>	<ul style="list-style-type: none"><li>• Ταχεία πορεία κατά τη διάρκεια της μεσοστήριξης.</li><li>• 'Πρόωρη κάμψη' σε υψηλότερα επίπεδα σωματικής δραστηριότητας</li></ul>	<ol style="list-style-type: none"><li>1. Μετακινήστε τη θήκη προς τα πίσω σε σχέση με το πέλμα</li><li>2. Κάμψτε ελαφρά το πέλμα - σημείωση: ίσως απαιτηθεί κάποια ευθυγράμμιση</li></ol>

Επικοινωνήστε με τον προμηθευτή σας αν δεν είναι δυνατόν να επιτευχθεί ομαλό βάδισμα αφού ακολουθήσετε τις παραπάνω συμβουλές.

## 9 Οδηγίες αποσυναρμολόγησης



Χρησιμοποιείτε τον κατάλληλο εξοπλισμό υγείας και ασφάλειας ανά πάσα στιγμή, συμπεριλαμβανομένων εγκαταστάσεων εξαγωγής αέρα.



Να προσέχετε για τυχόν κίνδυνο παγίδευσης δακτύλων ανά πάσα στιγμή.

1



Αφαιρέστε προσεκτικά, με ένα μαχαίρι, οποιαδήποτε αφρώδη κόσμηση μπορεί να έχει προσκολληθεί στο κέλυφος του πέλματος.

2



Αφαιρέστε τις βίδες στερέωσης από το στηρίγμα και τραβήξτε το ελατήριο δακτύλων προς το πίσω μέρος του πέλματος.

3



Αφαιρέστε το ελατήριο δακτύλων για να αφήσετε το συγκρότημα στηρίγματος/ελατηρίου πτέρνας μόνο του μέσα στο κέλυφος του πέλματος.

4



Περιστρέψτε το συγκρότημα στηρίγματος/ελατηρίου πτέρνας προς το πίσω μέρος του πέλματος για να αποσυνδεθεί το ελατήριο από τη θέση του στο κέλυφος.

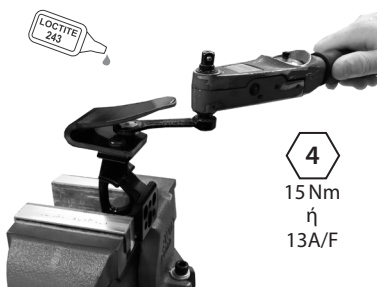
## 10 Οδηγίες συναρμολόγησης

1



Συναρμολογήστε το ελατήριο της πτέρνας στο στήριγμα, όπως απεικονίζεται.

2



Χρησιμοποιήστε το ειδικό κλειδί Allen 940080, τον προσαρμογέα ρολόκλειδου 940081 ή το κλειδί 13A/F 940273. Χρησιμοποιήστε Loctite 243 (926012) και σφίξτε με ροπή έως 15 Nm.

3



Συνδέστε το ελατήριο δακτύλων στο στήριγμα χρησιμοποιώντας Loctite 243 (926012) στους κοχλίες.

1. Για ελατήρια με τιμές 1 έως 7, χρησιμοποιήστε το κλειδί Allen 4 A/F και σφίξτε με ροπή έως 15 Nm. Μη χρησιμοποιείτε την εξωτερική εξαγωγική υποδοχή, αυτή προορίζεται για χαλάρωση του μπουλονιού, αν χρειαστεί. 2. Για ελατήρια με τιμές 8 έως 9, χρησιμοποιήστε το κλειδί 13 A/F και σφίξτε με ροπή έως 25 Nm.

4



Φροντίστε να φαίνεται ο σωστός αριθμός του σετ ελατηρίων στην αριστερή πλευρά του φορείου. Χρησιμοποιήστε μαύρο μαρκαδόρο για να καλύψετε τα ανεπιθύμητα τμήματα.

5

Προστατευτική κάλτσα

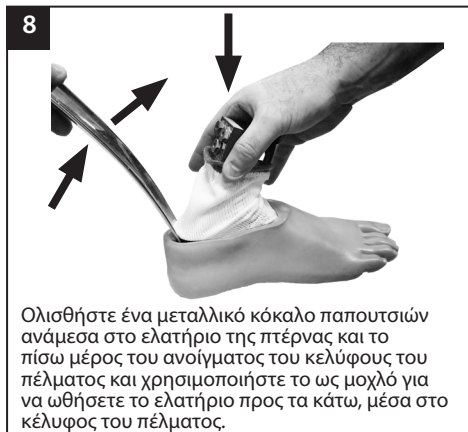


Τοποθετήστε την προστατευτική κάλτσα στο συγκρότημα ελατηρίου δακτύλων, ελατηρίου πτέρνας και στηρίγματος, όπως απεικονίζεται.

6



Αν πρόκειται να τοποθετηθεί αφρώδης κόσμηση, κάντε την επάνω επιφάνεια του κελύφους του πέλματος τραχειά, ώστε να δημιουργηθεί ιδανική επιφάνεια συγκόλλησης.

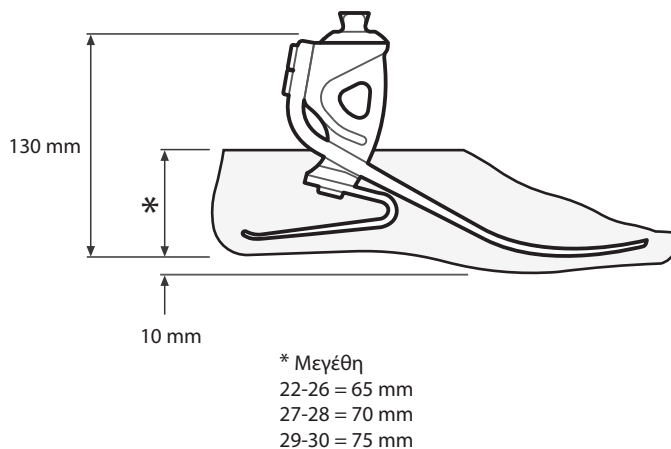




## 11 Τεχνικά στοιχεία

Εύρος τιμών θερμοκρασίας χειρισμού και φύλαξης:	-15 °C έως 50 °C
Βάρος εξαρτημάτων (μέγεθος 26):	680 g
Επίπεδο σωματικής δραστηριότητας:	3–4
Μέγιστο βάρος χρήστη:	166 kg
Προσάρτημα εγγύς ευθυγράμμισης:	Αρσενική πυραμίδα (Blatchford)
Εύρος ρύθμισης:	Γωνία $\pm 7^\circ$
Ύψος κατασκευής: (Βλ. το παρακάτω διάγραμμα)	130 mm
Ύψος πτέρνας:	10 mm

### Μήκος προσαρμογής



# 12 Πληροφορίες παραγγελίας

## Παράδειγμα παραγγελίας

<b>EL</b>	<b>25</b>	<b>L</b>	<b>N</b>	<b>3</b>	<b>S</b>
-----------	-----------	----------	----------	----------	----------

Μέγεθος Πλευρά Πλάτος\* Κατηγορία σετ Δάκτυλα  
(L/R) (N/W) ελατηρίων σανδαλιού

π.χ. EL25LN3S

\*Μεγέθη 25–28 μόνο. Για όλα τα άλλα μεγέθη, παραλείψτε το πεδίο Πλάτος.

Διατίθεται από μέγεθος 22  
έως μέγεθος 30:  
EL22L1S έως EL30R9S  
EL22L1SD έως EL30R9SD  
(προσθέστε 'D' για κέλυφος  
πέλματος με σκούρο τόνο)

## Κιτ ελατηρίων

Κιτ ελατηρίων	Μέγεθος πέλματος			
	22–24	25–26	27–28	29–30
Σετ 1	539701S	539710S	539719S	Ειδική παραγγελία
Σετ 2	539702S	539711S	539720S	Ειδική παραγγελία
Σετ 3	539703S	539712S	539721S	539730S
Σετ 4	539704S	539713S	539722S	539731S
Σετ 5	539705S	539714S	539723S	539732S
Σετ 6	539706S	539715S	539724S	539733S
Σετ 7	539707S	539716S	539725S	539734S
Σετ 8	539708S	539717S	539726S	539735S
Σετ 9		539718S	539727S	539736S

## Κέλυφος πέλματος

(Για σκούρο, προσθέστε 'D')

## Προστατευτική κάλτσα

Μέγεθος/ πλευρά	Στενό	Φαρδύ
22L	539038S	-
22R	539039S	-
23L	539040S	-
23R	539041S	-
24L	539042S	-
24R	539043S	-
25L	539044SN	539044SW
25R	539045SN	539045SW
26L	539046SN	539046SW
26R	539047SN	539047SW
27L	539048SN	539048SW
27R	539049SN	539049SW
28L	539050SN	539050SW
28R	539051SN	539051SW
29L	-	539052S
29R	-	539053S
30L	-	539054S
30R	-	539055S

Μεγέθη 22-24	531011
Μεγέθη 25-30	532811

## Ευθύνη

Ο κατασκευαστής συνιστά τη χρήση της συσκευής μόνο υπό τις καθορισμένες συνθήκες και για τους προβλεπόμενους σκοπούς. Η συσκευή πρέπει να συντηρείται σύμφωνα με τις οδηγίες χρήσης που συνοδεύουν τη συσκευή. Ο κατασκευαστής δεν φέρει ευθύνη για οποιοδήποτε δυσμενές αποτέλεσμα προκληθεί από συνδυασμούς εξαρτημάτων που δεν έχουν εγκριθεί από αυτόν.

## Πιστότητα CE

Το προϊόν αυτό ικανοποιεί τις απαιτήσεις του Ευρωπαϊκού Κανονισμού (ΕΕ) 2017/745 περί ιατροτεχνολογικών προϊόντων. Το προϊόν αυτό έχει ταξινομηθεί ως ιατροτεχνολογικό προϊόν κατηγορίας Ι σύμφωνα με τους κανόνες ταξινόμησης που περιγράφονται στο παράρτημα VIII του κανονισμού. Η δήλωση πιστότητας ΕΕ διατίθεται στην ακόλουθη διεύθυνση στο Internet: [www.blatchford.co.uk](http://www.blatchford.co.uk)



Ιατροτεχνολογικό προϊόν



Πολλαπλή χρήση – σε έναν μόνο ασθενή

## Συμβατότητα

Ο συνδυασμός με προϊόντα επωνυμίας Blatchford εγκρίνεται βάσει δοκιμών σύμφωνα με τα σχετικά πρότυπα και την οδηγία περί των ιατροτεχνολογικών προϊόντων, συμπεριλαμβανομένων δομικών δοκιμών, συμβατότητας διαστάσεων και παρακολουθούμενης απόδοσης πεδίου.

Ο συνδυασμός με εναλλακτικά προϊόντα με σήμανση CE πρέπει να πραγματοποιείται βάσει τεκμηριωμένης επιτόπιας αξιολόγησης κινδύνου που έχει διεξαχθεί από ιατρό.

## Εγγύηση

Η συσκευή αυτή καλύπτεται από εγγύηση 36 μηνών - περιβλήμα πέλματος: 12 μηνών - προστατευτική κάλτσα: 3 μηνών.

Ο χρήστης πρέπει να ενημερώνεται ότι οι αλλαγές ή οι τροποποιήσεις που δεν έχουν εγκριθεί ρητά ενδέχεται να ακυρώσουν την εγγύηση, τις άδειες λειτουργίας και τις εξαιρέσεις.

Ανατρέξτε στον ιστότοπο Blatchford για την τρέχουσα πλήρη δήλωση εγγύησης.

## Αναφορά σοβαρών περιστατικών

Στην απίθανη περίπτωση που προκύψει κάποιο σοβαρό περιστατικό σε σχέση με τη συσκευή αυτή, αυτό θα πρέπει να αναφερθεί στον κατασκευαστή και τις αρμόδιες εθνικές αρχές.

## Θέματα περιβάλλοντος

Όπου αυτό είναι δυνατόν, τα εξαρτήματα θα πρέπει να ανακυκλώνονται σύμφωνα με τους τοπικούς κανονισμούς χειρισμού αποβλήτων.

## Διατήρηση της ετικέτας συσκευασίας

Συνιστάται να διατηρείτε την ετικέτα της συσκευασίας ως αρχείο της παρεχόμενης συσκευής.

## Καταχωρημένη διεύθυνση κατασκευαστή

Blatchford Products Limited, Lister Road, Basingstoke RG22 4AH.

## Αναγνωρίσεις εμπορικών σημάτων

Οι ονομασίες Elite Foot και Blatchford είναι σήματα κατατεθέντα της Blatchford Products Limited.

Saturs.....	100
1 Apraksts un paredzētais mērķis .....	101
2 Drošības informācija .....	103
3 Uzbūve .....	104
4 Funkcija.....	105
5 Apkope.....	105
6 Lietošanas ierobežojumi.....	105
7 Stenda salāgošana .....	106
8 Pielāgošanas ieteikumi.....	107
9 Izjaušanas norādījumi.....	108
10 Salikšanas norādījumi .....	109
11 Tehniskie dati .....	111
12 Pasūtišanas informācija.....	112

# 1 Apraksts un paredzētais mērķis

Šī lietošanas pamācība paredzēta speciālistam.

Termins "ierīce" šajā lietošanas pamācībā tiek lietots, lai apzīmētu Elite2.

## Pielietojums

Šī ierīce ir jālieto tikai kā apakšējo ekstremitāšu protēzes daļa.

Paredzēta vienam lietotājam.

Pēda ar augstu enerģijas atdevi. Neatkarīgās papēža un pirksta atsperes nodrošina aksiālo novirzi. Sadalītais pirksts nodrošina labu pielāgošanos zemei.

## Aktivitātes līmenis

Ierīce ieteicama lietotājiem ar potenciālu sasniegt 3. vai 4. aktivitātes līmeni. Protams, pastāv izņēmumi, un mūsu ieteikumā vēlamiem pieļaut unikālus, individuālus apstākļus, un jebkurš šāds lēmums ir jāpieņem, ja ir skaidrs un pārdomāts pamatojums.

### 1. aktivitātes līmenis

Spēj vai ir potenciāls izmantot protēzi, lai pārvietotos ar palīdzību vai staigātu pa līdzenu virsmu fiksētā tempā. Tipiski personai, kura spēj staigāt ar vai bez ierobežojumiem.

### 2. aktivitātes līmenis

Spēja vai potenciāls staigāt ar spēju šķērsot nelielas vides barjeras, piemēram, ietves malas, kāpnes vai nelīdzenas virsmas. Tipiski cilvēkam, kas pārvietojas ar ierobežojumiem.

### 3. aktivitātes līmenis

Spēja vai potenciāls pārvietoties ar mainīgu tempu.

Tipiski cilvēkam, kurš var neatkarīgi pārvietoties ārpus mājas, šķērsojot lielāko daļu vides barjeru, un kuram var būt profesionālā, terapeitiskā vai fiziskā aktivitāte, kam nepieciešama protēzes izmantošana, kas pārsniedz parastu pārvietošanos.

### 4. aktivitātes līmenis

Spēja vai potenciāls staigāt, kas pārsniedz parastās pārvietošanās ar protēzi prasmes, pieļaujot augstu triecienu, stresa vai enerģijas pakāpi. Tipiski bērnu, aktīvu pieaugušo vai sportistu protezēšanas vajadzībām.

## Kontrindikācijas

Šī ierīce varētu nebūt piemērota personām ar 1. aktivitātes līmeni vai sporta sacensībām, jo šādiem lietotājiem vairāk piemērota ir viņu vajadzībām optimizēta, speciāli izstrādāta protēze. Pārliecinieties, ka lietotājs ir izpratis visu lietošanas pamācību, īpašu uzmanību pievēršot sadaļai par apkopi.

## Kliniskie ieguvumi

- Vertikāla lokanība triecienu absorbēšanai
- Augsti mobilitātes līmeņi aktīviem lietotājiem
- Uzlabots protēzes sānu atspēriens
- Palielināts staigāšanas ātrums

## Atsperu komplekta izvēle

	Lietotāja ķermeņa masa [kg]									
	44–52	53–59	60–68	69–77	78–88	89–100	101–116	117–130	131–147	148–166
<b>Trieciens</b>	<b>3. aktivitātes līmenis: Pēdas atsperu komplekts</b>									
<b>Zems</b>	1	1	2	3	4	5	6	7	8	9
	<b>4. aktivitātes līmenis: Pēdas atsperu komplekts</b>									
<b>Vidējs</b>	1	2	3	4	5	6	7	8	9	
<b>Augsts</b>	2	3	4	5	6	7	8	9		

**Zems** Ikdienas pastaigas un neregulāri sporta veidi, piemēram, golfs un pārgājieni

**Vidēji** Intensīva staigāšana, bieži vai ikdienas sporta veidi, piemēram, skriešana

**Augsts** Ikdienas aktivitātes, piemēram, distanču skriešana, kāpšana, smagu priekšmetu celšana un nēsāšana profesionālām vajadzībām

## Svarīgi!

**Lietotājiem, kuri ir pakļauti lielākiem triecieniem: nepārsniedziet svara ierobežojumu atsevišķām atsperēm.**

Piezīme... Ja šaubāties par izvēli no divām kategorijām, izvēlieties augstākās kategorijas atsperu komplektu.

**Attēlotie kājas atsperu komplekta ieteikumi paredzēti lietotājiem ar zemceļa amputāciju.**

**Lietotājiem ar virsceļa amputāciju ieteicams izvēlēties vienu kategoriju zemāku atsperu komplektu; uzstādīšanas ieteikumus skatiet 8 Pielāgošanas ieteikumi sadaļā, lai nodrošinātu apmierinošu funkcionēšanu un kustību diapazonu**

## 2 Drošības informācija



Šis brīdinājuma simbols izceļ svarīgu drošības informāciju, kas rūpīgi jāievēro.



Par jebkādam veiktspējas vai ekstremitātes funkcionēšanas izmaiņām, piem., ierobežotu kustību, nevienmērīgu kustību vai neparastiem trokšņiem, nekavējoties ziņojiet savam pakalpojumu sniedzējam.



Ejot pa kāpnēm lejā un jebkurā citā laikā vienmēr izmantojiet kāpņu margas, kad tās ir pieejamas.



Ierīce nav piemērota ekstrēmām sporta veidiem, skriešanai vai riteņbraukšanas sacensībām, sportošanai uz ledus un sniega, ekstremālām nogāzēm un pakāpieniem. Par šādu darbību veikšanu ir atbildīgs tikai lietotājs. Ir pieļaujama riteņbraukšana atpūtas nolūkos.



Ierīces montāžu, apkopi un remontu drīkst veikt tikai atbilstoši kvalificēts ārsts.



Ja mainās ierīces stāvoklis, lietotājam jāsaazinās ar ārstu.



Pārlicinieties, ka braukšanas laikā tiek izmantoti tikai atbilstoši aprīkoti transportlīdzekļi. Visām personām, vadot mehāniskos transportlīdzekļus, ir jāievēro attiecīgie satiksmes noteikumi.

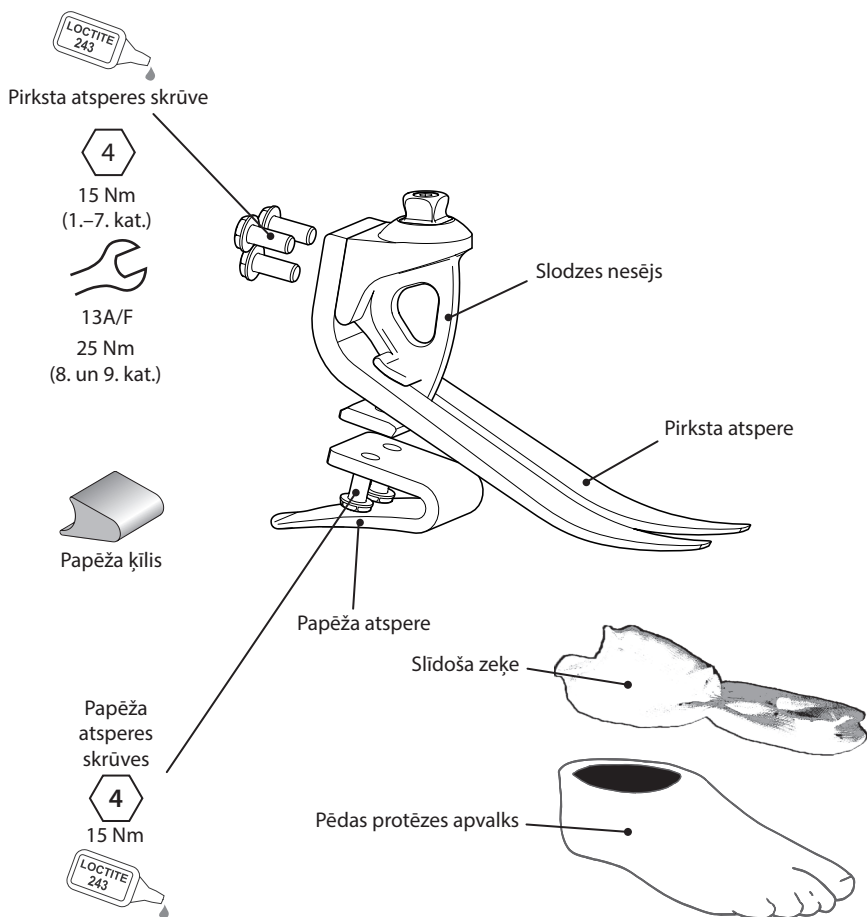


Lai samazinātu paslīdēšanas un pakļūšanas risku, vienmēr jāizmanto atbilstoši apavi, kas cieši pieguļ pēdas protēzes apvalkam.

# 3 Uzbūve

## Galvenās daļas

- Nesošās slodzes konstrukcija (alumīnijs/nerūsējošais tērauds/titāns)
- Papēža un pirksta atsperes (e-ogleklis)
- Atsperes stiprinājuma skrūves (titāns)
- Slīdoša zeķe (UHM PE)
- Pēdas protēzes apvalks (PU)





## 4 Funkcija

Šī ierīce satur e-oglekļa pirkstu un atsevišķu papēža atsperi.

Protēzes papēža un pirksta atsperes ir pievienotas slodzi nesošajai konstrukcijai, izmantojot titāna skrūves. Uz pēdas protēzes ir uzvilka UHM PE zeķe, kuru savukārt aptver PU pēdas protēzes apvalks.

## 5 Apkope

Apkope jāveic kompetentam personālam.

Mēs iesakām veikt šādu ikgadējo apkopi.

- Noņemiet pēdas protēzes apvalku un slidošo zeķi; pārbaudiet, vai nav bojājumu vai nodiluma, un, ja nepieciešams, nomainiet.
- Pārbaudiet visu skrūvju stingrību, notīriet un uzstādiet atkārtoti, ja nepieciešams.
- Pārbaudiet papēža un pirksta protēzes atsperes, lai noteiktu, vai nav slāņošanās vai nodiluma pazīmju, un nomainiet, ja nepieciešams. Pēc lietošanas perioda var rasties nelieli virsmas bojājumi — tas neietekmē pēdas funkciju vai izturību.

Lietotājam jānorāda veikt šādas darbības.

- Ziņojiet speciālistam par visām šīs ierīces veiktspējas izmaiņām, piem., par samazinātu enerģijas atdevi vai neparastiem trokšņiem.
- Informējiet speciālistu par jebkādam ķermeņa masas un/vai aktivitātes līmeņa izmaiņām.

Ja šo ierīci izmanto ekstrēmām aktivitātēm, tehniskās apkopes līmenis un intervāls ir jāpārskata un, ja nepieciešams, jālūdz padoms un tehniskais atbalsts, lai plānotu jaunu tehniskās apkopes grafiku atkarībā no darbību biežuma un rakstura. Tas jānosaka vietējā riska novērtējumā, ko veic atbilstoši kvalificēta persona.

Lietotājam jānorāda, ka ieteicams regulāri veikt pēdas protēzes vizuālo pārbaudi; par nodiluma pazīmēm, kas var ietekmēt funkciju, jāziņo pakalpojumu sniedzējam (piem., par būtisku nodilumu vai izteiktu krāsas maiņu ilgstošas UV iedarbības dēļ).

### Tīrīšana

Izmantojiet mitru drānu un vieglu ziepjūdeni, lai notīrītu ārējās virsmas; neizmantojiet agresīvus tīrīšanas līdzekļus.

## 6 Lietošanas ierobežojumi

### Paredzētais kalpošanas laiks

Jāveic vietējs riska novērtējums, pamatojoties uz aktivitāti un lietojumu.

### Celšanas slodzes

Lietotāja ķermeņa masu un aktivitāti regulē noteiktie ierobežojumi.

Lietotāja slodzei jāatbilst vietējā riska novērtējumā noteiktajai.

### Vide

Šī ierīce ir ūdensizturīga maksimāli līdz 1 metra dziļumam.

Pēc lietošanas abrazīvās vidēs, piemēram, vietās, kur, var būt smiltis vai grants, rūpīgi nomazgājiet šo ierīci ar tīru ūdeni, lai novērstu kustīgu daļu nodilumu vai bojājumus.

Pēc lietošanas sāls vai hlorētā ūdenī rūpīgi noskalojiet ar saldūdeni.

Pēdas protēzes vienībām jābūt atbilstoši apdarei, lai pēc iespējas novērstu ūdens iekļūšanu pēdas protēzes apvalkā. Ja ūdens iekļūst pēdas protēzes apvalkā, pirms turpmākas lietošanas tas ir jāapgriež otrādi un jāizžāvē.

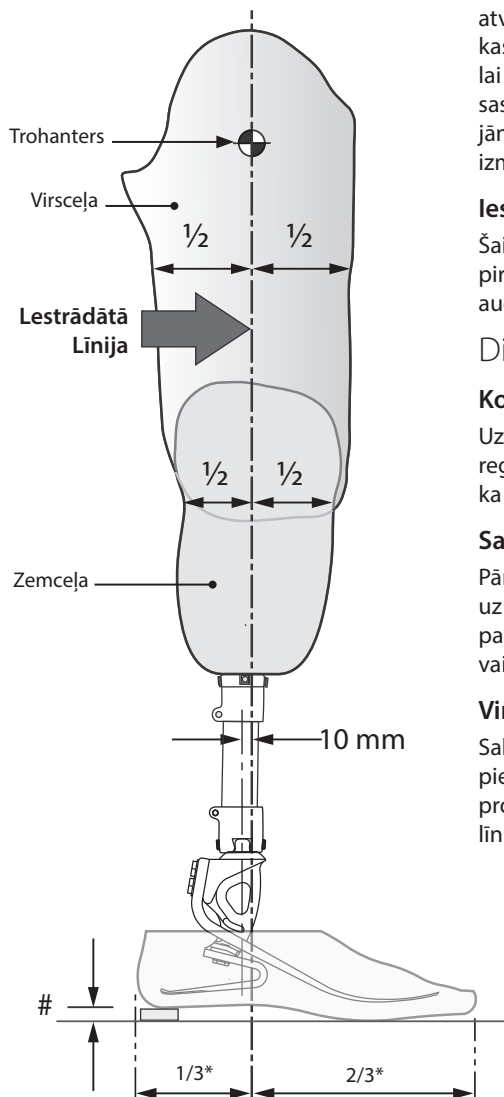


Lietot tikai temperatūrā no -15 °C līdz 50 °C.

Piemērota iegremdēšanai

## 7 Stenda salāgošana

### 7.1 Statiskā salāgošana



#### Uzstādīšanas garums

Pareizi veicot saliekšanu, pievilkšanu un atvilkšanu, iestatiet ekstremitātes garumu, kas ir par 5 mm lielāks nekā veselajā pusē, lai gaitas laikā atļautu pēdas protēzes atsperu saspiešanu un novirzi. Šie iestatījumi ir jānovērtē atkārtoti, tiklīdz sākas dinamiskā izmēģināšana, un attiecīgi jāpielāgo garums.

#### lestrādātā līnija

Šai līnijai vajadzētu būt 10 mm pirms piramīdas centra (ar pareizi izveidotu papēža augstumu). Uzmava atbilstoši jāpozicionē.

#### Dinamiskā salāgošana

##### Koronālā plakne

Uzmavas un pēdas relatīvās pozīcijas regulēšanas laikā pārliecinieties, ka M-L vilce ir minimāla.

##### Sagitālā plakne

Pārbaudiet, vai ir vienmērīga pāreja no papēža uz pirkstu. Turklāt pārliecinieties, vai stāvēt papēdis un pirksts ir vienmērīgi noslogoti un vai tie abi aizskar grīdu.

##### Virscelja salāgošana

Salāgojiet virscelja komponentus atbilstoši pielāgošanas norādījumiem, kas iekļauti ceļa protēzes komplektācijā, saglabājot iestrādāto līniju attiecībā pret pēdu, kā parādīts.

#Var izmantot lietotāja apavus

\*Aptuvenā attiecība

## 8 Pielāgošanas ieteikumi

Atsperu komplekti tiek piegādāti kā saskaņoti pāri, t. i., papēža un pirksta atsperes ir paredzētas darbībai kopā, lai nodrošinātu vienmērīgu progresēšanu lielākajai daļai lietotāju.

### Papēža ķīlis

Kopā ar pēdu tiek piegādāts papēža ķīlis. Ķīļa uzstādīšana pavājinās papēža atsperīgumu. Ķīli var ievietot izmēģināšanai. Lai veiktu pastāvīgu uzstādīšanu, ķīlis jāpielīmē paredzētajā vietā, starp papēža apakšējo saskares virsmu un ķīli uzklājot Loctite 424 (926104).

### Papēža stīvums

Progresēšanai stājas fāzē jābūt vienmērīgai; šī procesa laikā svarīgākā ir papēža funkcionēšana.

- Pārāk mīksts papēdis vai uz aizmuguri pārmērīgi izvīzīta slodzes līnija izraisīs papēža iegrimšanu un grūtības pārnest svaru uz pirkstu.
- Pārāk ciets papēdis vai uz priekšpusi pārmērīgi izvīzīta slodzes līnija izraisīs pārāk strauju virzību kājas kustības vidus fāzē vai vibrēšanu pie papēža.

	Simptomi	Risinājums
<b>Papēdis ir pārāk mīksts</b>	<ul style="list-style-type: none"><li>• Papēža iegrimšana</li><li>• Grūtības pārnest svaru uz pirkstu (pirksts šķiet pārāk ciets)</li></ul>	<ol style="list-style-type: none"><li>1. Pievienojiet papēža ķīli</li><li>2. Pārvietojiet uznavu uz priekšu attiecībā pret pēdu (pārmērīga kustība var izraisīt nokrišanu)</li><li>3. Ja 1. un 2. punktā norādītās darbības nepalīdz, uzstādiet stingrāku atsperu komplektu</li></ol>
<b>Papēdis ir pārāk ciets</b>	<ul style="list-style-type: none"><li>• Ātra pāreja no papēža stājas fāzē</li><li>• Grūtības kontrolēt papēža darbību, pēda kājas kustības vidus fāzē vibrē</li><li>• Pēda šķiet pārāk cieta</li></ul>	<ol style="list-style-type: none"><li>1. Noņemiet papēža ķīli (ja uzstādīts)</li><li>2. Pārvietojiet uznavu uz aizmuguri attiecībā pret pēdu.</li><li>3. Ja 1. un 2. punktā norādītās darbības nepalīdz, uzstādiet vaļīgāku atsperu komplektu</li></ol>
<b>Pirksts/asmens pārāk mīksts</b>	<ul style="list-style-type: none"><li>• Pārāk strauja virzība kājas kustības vidus fāzē.</li><li>• Nokrišana pie augstāka aktivitāšu līmeņa</li></ul>	<ol style="list-style-type: none"><li>1. Pārvietojiet uznavu uz aizmuguri attiecībā pret pēdu.</li><li>2. Veiciet nelielu pēdas plantārrefleksiju; ņemiet vērā, ka var būt nepieciešama atkārtota salāgošana</li></ol>

Lūdzu, sazinieties ar savu piegādātāju, ja pēc iepriekš norādīto ieteikumu izpildes nav iespējams panākt vienmērīgu gaitu.

## 9 Izjaukšanas norādījumi



Izmantojiet atbilstošu aprīkojumu veselības nodrošināšanai un aizsargaprīkojumu, ieskaitot ekstrakcijas līdzekļus.



Vienmēr apzinieties pirkstu iespiešanas bīstamību.

1



Ar nazi rūpīgi noņemiet mīkstās putas (*Foam Cosmesis*), kas var būt pielīmētas pēdas protēzes apvalkam.

2



Izņemiet stiprinājuma skrūves un pavelciet pirksta atsperi virzienā uz pēdas aizmuguri.

3



Izņemiet pirksta atsperi, lai pēdas protēzes apvalkā paliktu tikai nesošās slodzes konstrukcija/papēža protēzes atspere.

4



Pagrieziet slodzes nesēja/papēža atsperes konstrukciju uz pēdas protēzes aizmuguri, lai atvienotu atsperi no tās atrašanās vietas apvalkā.

## 10 Salikšanas norādījumi

1



Uzstādiet papēža atsperi uz slodzes nesēja, kā parādīts.

2



Izmantojiet īpašu seškanšu atslēgu 940080, dinamometriskās atslēgas adapteri 940081 vai 13 A/F uzgriežņu atslēgu 940273. Izmantojiet Loctite 243 (926012) un griezes momentu līdz 15 Nm.

3



Pievienojiet pirksta atsperi slodzes nesējam, izmantojot Loctite 243 (926012) uz skrūvēm.

1. 1. līdz 7. kategorijas atspērēm izmantojiet 4 A/F seškanšu atslēgu un griezes momentu līdz 15 Nm. Nelietojiet uzliekamo seškanšu uzgriežņu atslēgu; tā ir paredzēta skrūves atskrūvēšanai vaļīgāk, ja nepieciešams.

2. 8. un 9. kategorijas atspērēm izmantojiet 13 A/F seškanšu atslēgu un griezes momentu līdz 25 Nm.

4



Pārliecinieties, ka slodzes nesēja kreisajā pusē ir atzīmēts pareizs atspere komplekta numurs. Izmantojiet melnu marķieri, lai pārklātu nevēlamos segmentus.

5

Slidoša zeķe



Uzvelciet slidošo zeķi uz pirksta atsperes, papēža atsperes un slodzes nesēja konstrukcijas, kā parādīts.

6



Ja paredzēts izmantot mīkstās putas (*Foam Cosmesis*), padariet raupjāku pēdas protēzes apvalka augšējo virsmu, lai nodrošinātu izcilu piesaistes virsmu.

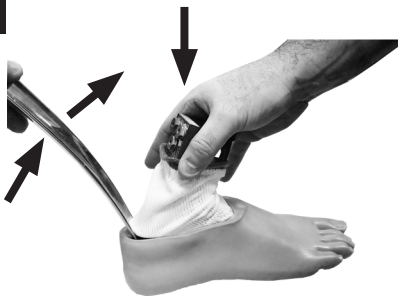
7

Pirksta atsperes atrašanās vieta  
pēdas protēzes apvalkā



Bīdiet visu konstrukciju pēdas protēzes apvalkā.  
Nodrošiniet pareizu pielāgojumu pirksta atsperes  
atverē.

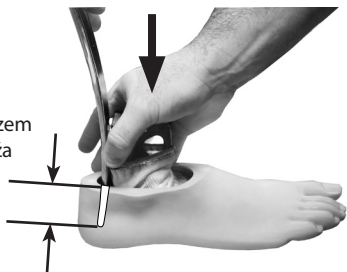
8



Bīdiet metāla apavu lāpstiņu starp papēža atsperi  
un pēdas protēzes apvalka atvēruma aizmuguri,  
un nospiediet atsperi uz leju pēdas apvalkā.

9

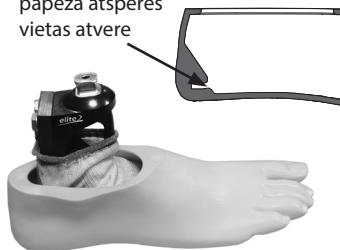
30 mm zem  
papēža



Iespiediet papēža atveri pareizajā vietā apvalkā,  
kā parādīts. Apavu lāpstiņai jāatrodas apm.  
30 mm zem pēdas protēzes apvalka augšējās  
virsmas

10

papēža atsperes  
vietas atvere



Pārliecinieties, ka papēža atsperes pareizi  
pielāgojas atrašanās vietas atverē pēdas  
protēzes apvalkā.

11

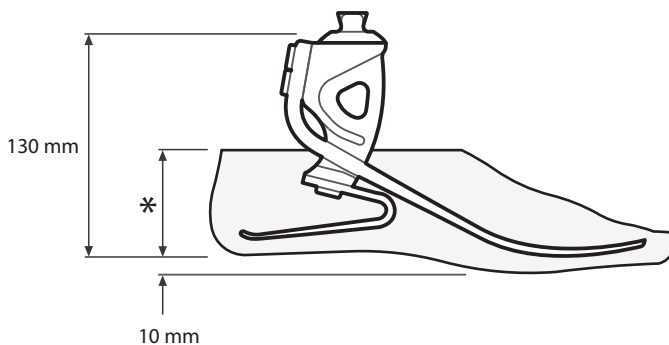


Pēdas protēzes apvalka augšējai virsmai uzklājiet  
*Foam Cosmesis*, kā parādīts, izmantojot Thixofix  
līmi (926204) vai līdzvērtīgu produktu,  
un izveidojiet atbilstošu formu.

## 11 Tehniskie dati

Darbības un uzglabāšanas temperatūras diapazons:	-15 °C līdz 50 °C
Komponenta svars (26. izmērs):	680 g
Aktivitātes līmenis:	3–4
Maks. lietotāja ķermeņa masa:	166 kg
Proksimālā noregulējuma pievienošana:	Spraudņa tipa piramīda (Blatchford)
Noregulēšanas diapazons:	±7° leņķis
Konstrukcijas augstums: (skatīt zemāk esošo diagrammu)	130 mm
Papēža augstums:	10 mm

### Uzstādīšanas garums



\* Izmēri  
22.–26. = 65 mm  
27.–28. = 70 mm  
29.–30. = 75 mm

# 12 Pasūtīšanas informācija

## Pasūtījuma piemērs

EL	25	L	N	3	S
	Izmērs	Puse (L=kreisā/ R=labā)	Platums* (N=šaurš/ W=plats)	Atsperu komplekta kategorija	Sandales pirksta protēze

piem., EL25LN3S

\*Tikai 25–28 izmērs. Visiem pārējiem izmēriem izlaidiet lauku Width (Platums).

Pieejama no 22.  
līdz 30. izmēram:  
EL22L1S līdz EL30R9S  
EL22L1SD līdz EL30R9SD  
(tumša toņa pēdas  
apvalkam pievienojiet D)

## Atsperu komplekts

Atsperu komplekts	Pēdas izmērs			
	22.–24.	25.–26.	27.–28.	29.–30.
1. komplekts	539701S	539710S	539719S	Speciālais pasūtījums
2. komplekts	539702S	539711S	539720S	Speciālais pasūtījums
3. komplekts	539703S	539712S	539721S	539730S
4. komplekts	539704S	539713S	539722S	539731S
5. komplekts	539705S	539714S	539723S	539732S
6. komplekts	539706S	539715S	539724S	539733S
7. komplekts	539707S	539716S	539725S	539734S
8. komplekts	539708S	539717S	539726S	539735S
9. komplekts		539718S	539727S	539736S

## Pēdas protēzes apvalks

(Tumšajai pievienojiet D.)

## Slidoša zeķe

Izmērs/puse	Šaurš	Plats
22L	539038S	-
22R	539039S	-
23L	539040S	-
23R	539041S	-
24L	539042S	-
24R	539043S	-
25L	539044SN	539044SW
25R	539045SN	539045SW
26L	539046SN	539046SW
26R	539047SN	539047SW
27L	539048SN	539048SW
27R	539049SN	539049SW
28L	539050SN	539050SW
28R	539051SN	539051SW
29L	-	539052S
29R	-	539053S
30L	-	539054S
30R	-	539055S

22.–24. izmērs	531011
25.–30. izmērs	532811



## Atbildība

Ražotājs iesaka izmantot ierīci tikai noteiktos apstākļos un paredzētajiem mērķiem. Ierīces apkope ir jāveic saskaņā ar komplektācijā iekļauto lietošanas pamācību. Ražotājs nav atbildīgs par negatīviem rezultātiem, ko izraisa neatļautas komponentu kombinācijas.

## CE atbilstība

Šis izstrādājums atbilst Eiropas Regulai ES 2017/745, kas attiecas uz medicīniskajām ierīcēm. Šis izstrādājums ir klasificēts kā I klases produkts saskaņā ar klasifikācijas kritērijiem, kas izklāstīti Regulas VIII pielikumā. ES atbilstības deklarācijas sertifikāts pieejams tīmekļa vietnē [www.blatchford.co.uk](http://www.blatchford.co.uk)



Medicīniskā ierīce



Viens pacients —  
atkārtota lietošana

## Saderība

Kombinācija ar Blatchford zīmola izstrādājumiem ir apstiprināta, pamatojoties uz testēšanu saskaņā ar attiecīgajiem standartiem un MDR, tostarp attiecībā uz konstrukcijas pārbaudi, izmēru saderību un uzraudzītu lauka veiktspēju.

Kombinēšana ar alternatīviem CE marķētiem izstrādājumiem jāveic, ņemot vērā dokumentētu vietējā riska novērtējumu, ko izpilda speciālists.

## Garantija

Šai ierīcei tiek sniegta 36 mēnešu garantija, pēdas apvalkam — 12 mēneši, slīdošajai zeķei — 3 mēneši.

Lietotājam jāapzinās, ka izmaiņas vai pārveidojumi, kas nav skaidri apstiprināti, var anulēt garantiju, darbības licences un izņēmumus.

Pilnīgu pašreizējo garantijas paziņojumu skatīt Blatchford tīmekļa vietnē.

## Ziņošana par nopietniem negadījumiem

Ja rodas nopietns negadījums, kas saistīts ar šo ierīci un kas ir maz ticams, par to jāziņo ražotājam un valsts kompetentajai iestādei.

## Vides aspekti

Ja iespējams, komponenti jāpārstrādā saskaņā ar vietējiem atkritumu apstrādes noteikumiem.

## Iepakojuma etiķetes saglabāšana

Iesakām glabāt iepakojuma etiķeti atsaucei par piegādāto ierīci.

## Ražotāja reģistrētā adrese

Blatchford Products Limited, Lister Road, Basingstoke RG22 4AH.

## Paziņojumi par preču zīmēm

Elite Foot un Blatchford ir Blatchford Products Limited reģistrētās preču zīmes.

Turiny	114
1 Aprašas ir numatyta paskirtis	115
2 Saugos informacija	117
3 Konstrukcija	118
4 Veikimas	119
5 Priežiūra	119
6 Naudojimo apribojimai	119
7 Lygiavimas stende	120
8 Pritaikymo patarimai	121
9 Išardymo instrukcijos	122
10 Surinkimo instrukcijos	123
11 Techniniai duomenys	125
12 Informacija apie užsakymą	126

# 1 Aprašas ir numatyta paskirtis

Ši naudojimo instrukcija skirta gydytojui.

Joje terminu „*priemonė*“ vadinamas protezas „Elite2“.

## Taikymas

Priemonė skirta naudoti tik kaip apatinės galūnės protezo dalis.

Skirta vienam naudotojui.

Tai yra didelę dalį energijos grąžinantis pėdos protezas. Atskiros kulno ir pirštų spyruoklės užtikrina ašinį poslinkį. Dviejų dalių pirštas gerai prisitaiko prie pagrindo.

## Mobilumo lygis

Priemonė rekomenduojama naudotojams, kurie gali pasiekti 3–4 mobilumo lygį. Žinoma, būna išimčių, todėl savo rekomendacijoje atsižvelgiame ir į galimas individualias naudojimo aplinkybes, tačiau visi sprendimai turi būti logiškai ir visapusiškai pagrįsti.

### 1 mobilumo lygis

Naudodamas protezą geba perkelti svorį nuo vienos kojos ant kitos arba eiti lygiu paviršiumi vienodu greičiu. Tipinis ambulatorinis ligois, galintis vaikščioti su apribojimais arba be jų.

### 2 mobilumo lygis

Geba vaikščioti ir įveikti žemas aplinkos kliūtis, pvz., šaligatvio bortelius, laiptus arba nelygius paviršius. Tipinis ambulatorinis ligois, galintis su apribojimais vaikščioti ne tik gyvenamojoje vietoje.

### 3 mobilumo lygis

Geba vaikščioti kintamu greičiu.

Tipinis ambulatorinis ligois, kuris gali vaikščioti ne tik gyvenamojoje vietoje, geba įveikti daugumą aplinkos kliūčių ir gali užsiimti profesine, terapine arba mankštos veikla, dėl kurios protezas turi būti naudojamas intensyviau, nei atliekant įprastus judesius.

### 4 mobilumo lygis

Geba vaikščioti su protezu tokiu būdu, kuris viršija elementaraus vaikščiojimo įgūdžius, pasižymi stipriais smūgiais, įtempiais ir dideliu energijos kiekiu. Tipiniai vaikų, aktyvių suaugusiųjų arba sportininkų su protezu poreikiai.

## Kontraindikacijos

Priemonė gali netikti 1 mobilumo lygio asmenims arba sporto varžyboms, nes tokiems naudotojams geriau tinka pagal jų poreikius specialiai suprojektuotas ir optimizuotas protezas. Įsitikinkite, kad naudotojas suprato visus naudojimo nurodymus, ypač atkreipdami dėmesį į skyrių apie priežiūrą.

## Klinikinė nauda

- Vertikalus slankis, sugeriantis smūgius
- Aukštas mobilumo lygis aktyviems naudotojams
- Geresnis protezuotos kojos atsistūmimas
- Didesnis ėjimo greitis

## Spyruoklių komplekto parinkimas

	Naudotojo svoris [kg]									
	44–52	53–59	60–68	69–77	78–88	89–100	101–116	117–130	131–147	148–166
Smūgio stiprumas	<b>3 mobilumo lygis: Pėdos protezo spyruoklių komplektas</b>									
Mažas	1	1	2	3	4	5	6	7	8	9
	<b>4 mobilumo lygis: Pėdos protezo spyruoklių komplektas</b>									
Vidutinis	1	2	3	4	5	6	7	8	9	
Didelis	2	3	4	5	6	7	8	9		

**Mažas** Kasdienis vaikščiojimas ir nedažnas sportavimas, pvz., golfas, žygiai

**Vidutinis** Intensyvus vaikščiojimas ir dažnas arba kasdienis sportavimas, pvz., bėgiojimas

**Didelis** Kasdienė aktyvi veikla, pvz., ištvermės bėgimas, alpinizmas, svorių kilnojimas ir sunkių daiktų nešiojimas užsiimant profesine veikla

## Svarbu

**Stiprius smūgius patiriantys naudotojai turi neviršyti atskirų spyruoklių svorio apribojimo.**

Pastaba... Jei abejojate, kurią iš dviejų kategorijų pasirinkti, pasirinkite didesnio standumo spyruoklių komplektą.

**Pėdos protezo spyruoklių komplekto rekomendacijos skirtos naudotojams su žemiau kelio amputuota galūne.**

**Naudotojams su virš kelio amputuota galūne siūlome parinkti vienu lygiu žemesnę spyruoklių komplekto kategoriją (žr. 8 *Pritaikymo patarimai* skyriuje), kad būtų užtikrintas tinkamas veikimas ir judesių diapazonas.**

## 2 Saugos informacija



Šiuo įspėjamoju simboliu pažymėta svarbi saugos informacija, kuria būtina atidžiai vadovautis.



Apie bet kokius galūnės veikimo arba funkcionavimo pakitimus, pvz., ribotą judėjimą, nesklaidų judėjimą arba neįprastus garsus, būtina nedelsiant pranešti priežiūros specialistui.



Visada laikykitės už turėklų, kai leidžiatės laiptais žemyn ir kitais atvejais, kai turėklai įrengti.



Priemonė netinkama ekstremaliam sportui, bėgimui, dviračių lenktynėms, žiemos sporto šakoms, labai stačioms įkalnėms ir laiptams. Užsiimdami tokia veikla naudotojai prisiima visą atsakomybę. Leidžiamas pramoginis važinėjimas dviračiu.



Priemonės surinkimo, priežiūros ir remonto darbus privalo atlikti tik tinkamos kvalifikacijos gydytojas.



Pajutęs diskomfortą naudotojas turi susisiekti su gydytoju.



Vairuokite tik tinkamai pritaikytas transporto priemones. Valdydami motorines transporto priemones visi asmenys privalo laikytis atitinkamų vairavimą reglamentuojančių teisės aktų.

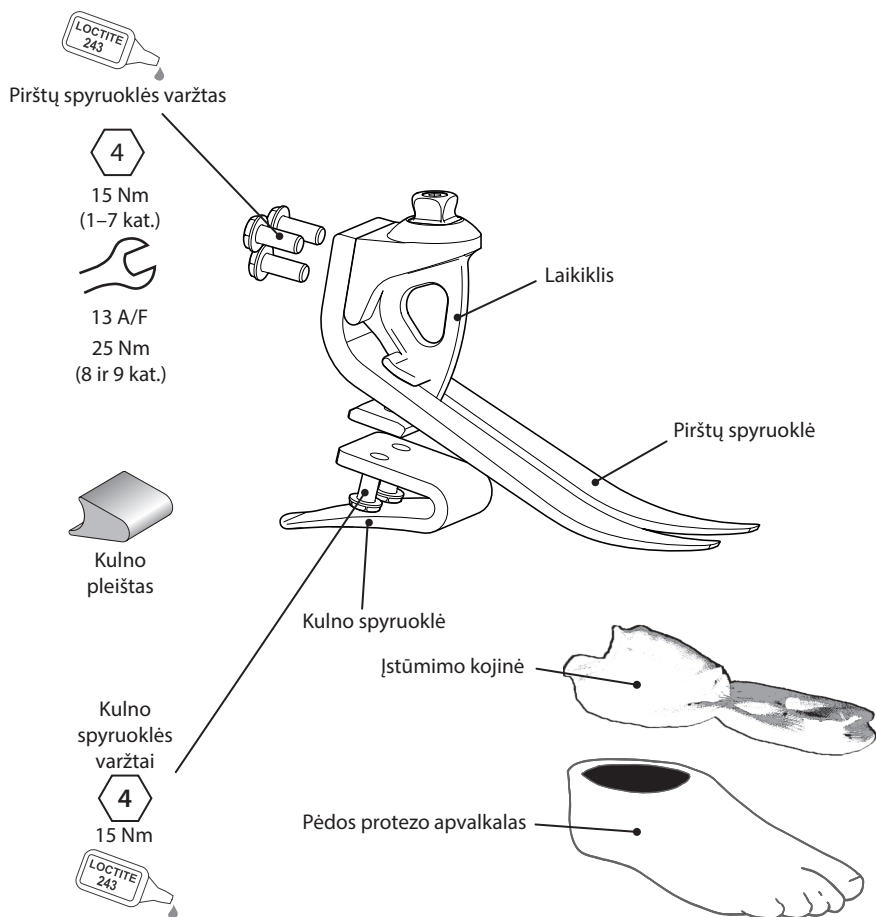


Siekiant sumažinti paslydimo arba užkliuvimo riziką, reikia visada avėti tinkamą avalynę, kuri tvirtai užsideda ant pėdos protezo apvalkalo.

### 3 Konstrukcija

#### Pagrindinės dalys

- Laikiklio mazgas (aliuminis, nerūdijantysis plienas, titanas)
- Kulno ir pirštų spyruoklės („E-carbon“)
- Spyruoklių tvirtinimo varžtai (titanas)
- Įstūmimo kojinė (UHM PE)
- Pėdos protezo apvalkalas (PU)



## 4 Veikimas

Ši priemonė sudaryta iš „E-carbon“ pirštų spyruoklės ir atskiros kulno spyruoklės.

Kulno ir pirštų spyruoklės titano varžtais pritvirtintos prie laikiklio. Pėdos protezas įkišamas į UHM PE kojinių ir ant jo užmaunamas PU apvalkalas.

## 5 Priežiūra

Priežiūros darbus privalo atlikti kompetentingi darbuotojai.

Rekomenduojame kasmet atlikti šiuos priežiūros darbus:

- Nuimkite pėdos protezo apvalkalą ir įstūmimo kojinę, patikrinkite, ar nėra pažeidimų arba nusidėvėjimo, ir, jei reikia, pakeiskite.
- Patikrinkite, ar visi varžtai tinkamai užveržti, nuvalykite ir, jei reikia, perrinkite.
- Patikrinkite, ar nėra kulno ir pirštų spyruoklių atsiskuoksnavimo arba nusidėvėjimo požymių, ir, jei reikia, pakeiskite. Kurį laiką panaudojus gali atsirasti nedidelių paviršiaus pažeidimų, tačiau jie neturi įtakos pėdos protezo veikimui arba patvarumui.

Naudotojui reikia nurodyti:

- Apie bet kokius priemonės veikimo pakitimus, pvz., prastesnį energijos grąžinimą arba neįprastus garsus, pranešti gydytojui.
- Gydytojui taip pat reikia informuoti apie kūno svorio ir (arba) mobilumo lygio pasikeitimus.

Jei priemonė naudojama ekstremaliai veiklai, reikia pakoreguoti priežiūros darbų lygį ir intervalą – jei reikia, kreipkitės dėl rekomendacijų ir techninės pagalbos, kad galėtumėte sudaryti naują priežiūros planą pagal aktyvumo dažnumą ir pobūdį. Planą turi nustatyti tinkamos kvalifikacijos asmuo, atlikdamas vietinį rizikos vertinimą.

Naudotoją reikia informuoti, kad rekomenduojama reguliariai apžiūrėti kojos protezą, o apie pastebėtus nusidėvėjimo požymius, kurie gali turėti įtakos veikimui, pvz., didelį nusidėvėjimą arba stiprų spalvos pakitimą dėl ilgalaikio UV spinduliuotės poveikio, pranešti priežiūros specialistui.

### Valymas

Drėgna šluoste ir švelniu muilu nuvalykite išorinius paviršius. Nenaudokite stiprių valiklių.

## 6 Naudojimo apribojimai

### Numatyta naudojimo trukmė

Reikia atlikti vietinį rizikos vertinimą ir įvertinti aktyvumą bei naudojimą.

### Sunkių daiktų kėlimas

Leidžiamas naudotojo svoris ir aktyvumas priklauso nuo nurodytų ribų.

Galimybė naudotojui nešti sunkius daiktus turi būti pagrįsta vietiniu rizikos vertinimu.

### Aplinka

Priemonė yra atspari vandeniui iki 1 metro gylyje.

Panaudoję aplinkoje, kurioje yra abrazyvinių medžiagų, pvz., smėlio ar žvyro, kruopščiai nuskalaukite priemonę gėlu vandeniu, kad išvengtumėte judamųjų dalių spartesnio dėvėjimosi arba pažeidimo.

Kruopščiai nuskalaukite panaudoję sūriame arba chlorintame vandenyje.

Pėdos protezas turi būti tinkamai surinktas, kad į jo apvalkalą patektų kuo mažiau vandens. Jei į apvalkalą pateko vandens, jį reikia apversti ir palikti išdžiūti, prieš vėl naudojant.

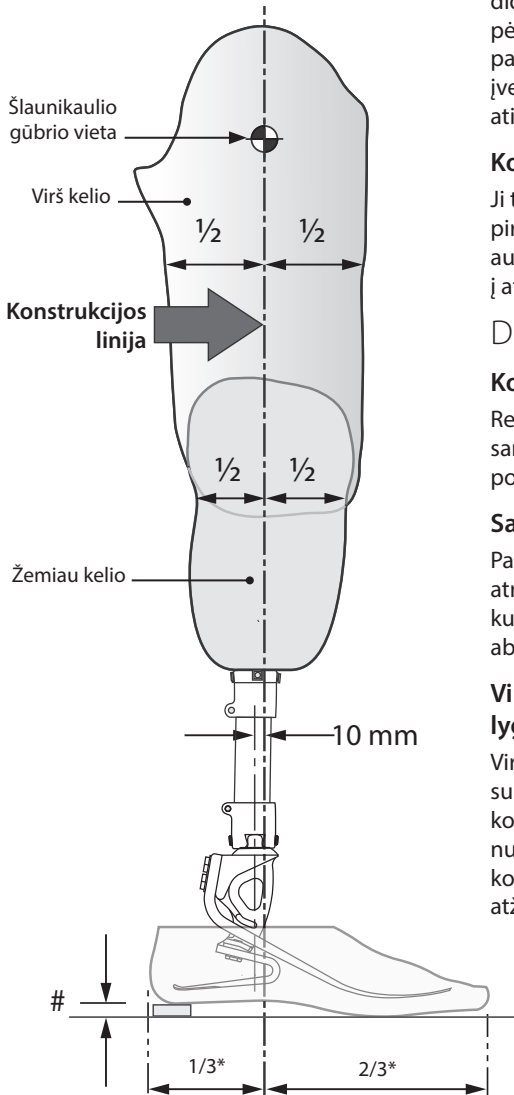
Naudokite tik nuo –15 °C iki 50 °C temperatūroje.



Tinkama panardinti

## 7 Lygiavimas stende

### 7.1 Statinis lygiavimas



#### Ilgio nustatymas

Tinkamai pritaikę fleksiją, adukciją ir abdukciją, nustatykite galūnės ilgį, kad jis būtų 5 mm didesnis už sveikos kojos ir kompensuotų pėdos protezo spyruoklių suspaudimą bei pasislinkimą einant. Šį ilgį reikia pakartotinai įvertinti pradėjus dinaminį bandymą ir atitinkamai pakoreguoti.

#### Konstrukcijos linija

Ji turi būti pasislinkusi 10 mm į priekį nuo piramidės centro (tinkamai pritaikius kulno aukštį). Bigės ėmiklis turi būti nustatytas į atitinkamą padėtį.

#### Dinaminis lygiavimas

##### Koronarinė plokštuma

Reguliuodami bigės ėmiklio ir pėdos protezo santykinę padėtį užtikrinkite, kad M-L postūmis būtų minimalus.

##### Sagitalinė plokštuma

Patikrinkite, ar sklandžiai pereinama nuo kulno atrėmimo iki pirštų pakėlimo. Taip pat stovint kulnui ir pirštams turi tekėti vienoda apkrova ir abi dalys turi liesti grindis.

#### Virš kelio amputuotos galūnės lygiavimas

Virš kelio amputuotos galūnės komponentus sulygiuokite vadovaudamiesi su kelio komponentu pateiktais pritaikymo nurodymais ir išlaikydami parodytą konstrukcijos linijos padėtį pėdos protezo atžvilgiu.

#Palikite tarpą naudotojo avalynei

\*Apytikslis santykis



## 8 Pritaikymo patarimai

Spyruoklių komplektų poros yra suderintos, t. y. kulno ir pirštų spyruoklės sukurtos taip, kad kartu užtikrintų sklandų ėjimą daugumai naudotojų.

### Kulno pleištas

Kartu su pėdos protezu pateikiamas kulno pleištas. Įtaisius pleišną padidinamas kulno spyruoklės standumas. Bandymams pleišną galima priklijuoti lipniąja juosta. Nuolatiniam naudojimui pleištas priklijuojamas užtepus „Loctite 424“ (926104) tarp apatinio kontaktinio kulno paviršiaus ir pleišto.

### Kulno standumas

Užtikrinant sklandžią atramos fazės etapų kaitą, kulno funkcija atlieka svarbiausią vaidmenį:

- jei kulnas per minkštas arba apkrovos linija pasislinkusi pernelyg atgal, smunkama atremiant kulną ir sunku perkelti svorį ant pirštų;
- jei kulnas per standus arba apkrovos linija pasislinkusi pernelyg pirmyn, per greitai pereinama per atramos visa pėda etapą arba juntamas sukrėtimas atremiant kulną.

	Problema	Sprendimas
<b>Kulnas per minkštas</b>	<ul style="list-style-type: none"><li>• Smunkama atremiant kulną</li><li>• Sunku perkelti svorį ant pirštų (atrodo, kad pirštai yra per standūs)</li></ul>	<ol style="list-style-type: none"><li>1. Įdėkite kulno pleišną</li><li>2. Paslinkite bigės ėmiklį pirmyn pėdos protezo atžvilgiu (per didelis poslinkis gali lemti pirmalaikį kulno pakėlimą)</li><li>3. Jei 1 ir 2 veiksmai nepadeda, sumontuokite standesnių spyruoklių komplektą</li></ol>
<b>Kulnas per standus</b>	<ul style="list-style-type: none"><li>• Greitai pereinama nuo kulno atrėmimo per visą atramos fazę</li><li>• Sunku kontroliuoti kulną, pėda peršoka į atramos visa pėda etapą</li><li>• Pėda atrodo per standi</li></ul>	<ol style="list-style-type: none"><li>1. Išimkite kulno pleišną (jei įdėtas)</li><li>2. Paslinkite bigės ėmiklį atgal pėdos protezo atžvilgiu</li><li>3. Jei 1 ir 2 veiksmai nepadeda, sumontuokite minkštesnių spyruoklių komplektą</li></ol>
<b>Piršto spyruoklė per minkšta</b>	<ul style="list-style-type: none"><li>• Per greitai pereinama per atramos visa pėda etapą</li><li>• Pirmalaikis kulno pakėlimas užsiimant didesnio mobilumo veikla</li></ul>	<ol style="list-style-type: none"><li>1. Paslinkite bigės ėmiklį atgal pėdos protezo atžvilgiu</li><li>2. Pakreipkite pėdos protezą šiek tiek žemyn. Pastaba: gali reikėti pakoreguoti lygiavimą</li></ol>

Jei šie patarimai nepadeda užtikrinti sklandžios eisenos, susisiekite su tiekėju.

## 9 Išardymo instrukcijos



Visada naudokite higienos ir saugos priemones, įskaitant siurbimo įrangą.



Visada atminkite apie pirštų prispaudimo pavojų.

1



Peiliu atsargiai pašalinkite kosmetinį putplasčio priedą, kuris gali būti prikibęs prie apvalkalo.

2



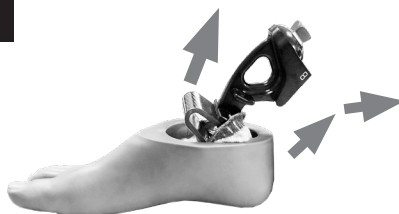
Išukite tvirtinimo varžtus iš laikiklio ir patraukite pirštų spyruoklę pėdos protezo galo link.

3



Išimkite pirštų spyruoklę, kad pėdos protezo apvalkale liktų tik laikiklio ir kulno spyruoklės mazgas.

4



Sukite laikiklio ir kulno spyruoklės mazgą pėdos protezo galo link, kad spyruoklė išeitų iš savo vietos apvalkale.

## 10 Surinkimo instrukcijos

1



Sumontuokite kulno spyruoklę ant laikiklio, kaip parodyta.

2



Naudokite specialų šešiabriaunį veržliaraktį 940080, dinamometrinio rakto adapterį 940081 arba 13 A/F veržliaraktį 940273. Užtepkite „Loctite 243“ (926012) ir užveržkite 15 Nm sukimo momentu.

3



Pritvirtinkite pirštų spyruoklę prie laikiklio, užteptę „Loctite 243“ (926012) ant varžtų.

1. Jei spyruoklė yra 1–7 standumo, naudokite 4 A/F šešiabriaunį raktą ir užveržkite 15 Nm sukimo momentu. Neveržkite galvutę apgaubiančiu raktu, nes jis skirtas varžtui atlaisvinti, jei reikėtų.

2. Jei spyruoklė yra 8–9 standumo, naudokite 13 A/F veržliaraktį ir užveržkite 25 Nm sukimo momentu.

4



Kairėje laikiklio pusėje pažymėkite teisingą spyruoklių komplekto numerį. Juodu žymekliu užpieškite nereikalingus segmentus.

5



Užmaukite jstūmimo kojine ant pirštų spyruoklės, kulno spyruoklės ir laikiklio mazgo, kaip parodyta.

6



Jei reikės uždėti kosmetinį putplasčio priedą, pašauškite viršutinį pėdos protezo apvalkalo paviršių, kad klijai gerai prie jo prikibtų.

**7**

Pirštų spyruoklės vieta  
pėdos protezo apvalkale



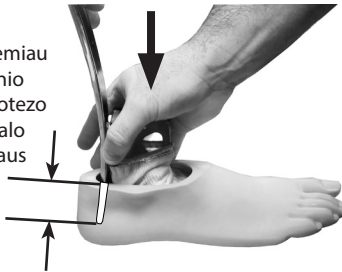
Įstumkite visą mazgą į pėdos protezo apvalkalą. Įsitikinkite, kad tinkamai įsistatė į pirštų spyruoklės plyšį.

**8**

Įkiškite metalinį batų šaukštą tarp kulno spyruoklės ir pėdos protezo apvalkalo angos galinės sienelės, tada naudodami šaukštą kaip svertą įkiškite spyruoklę žemyn į pėdos protezo apvalkalą.

**9**

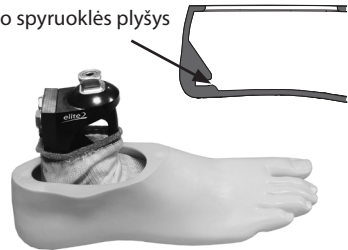
30 mm žemiau  
viršutinio  
pėdos protezo  
apvalkalo  
paviršiaus



Įspauskite kulno spyruoklę į jos vietą apvalkale, kaip parodyta. Batų šaukštas turi įsikišti maždaug 30 mm žemiau viršutinio pėdos protezo apvalkalo paviršiaus.

**10**

kulno spyruoklės plyšys



Įsitikinkite, kad kulno spyruoklė tinkamai įsistatė į jai skirtą plyšį pėdos protezo apvalkale.

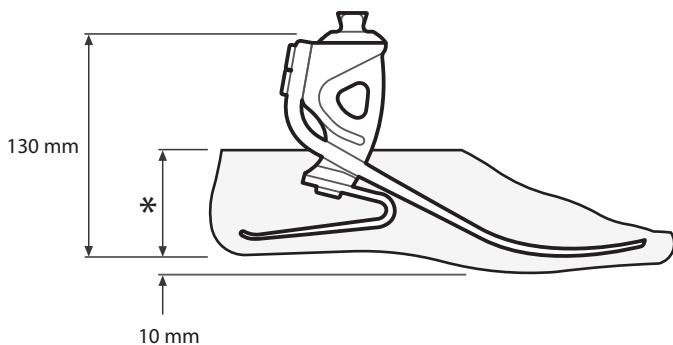
**11**

Priklijuokite kosmetinį putplasčio priedą prie viršutinio pėdos protezo apvalkalo paviršiaus, naudodami „Thixofix“ (926204) arba lygiaverčius klijus, ir suteikite reikiamą formą.

# 11 Techniniai duomenys

Darbinės ir laikymo temperatūros diapazonas	nuo $-15^{\circ}\text{C}$ iki $50^{\circ}\text{C}$
Komponento svoris (26 dydžio)	680 g
Mobilumo lygis	3–4
Didžiausias naudotojo svoris	166 kg
Proksimalinis lygiavimo tvirtinimas	įkišamoji piramidė („Blatchford“)
Reguliavimo diapazonas	$\pm 7^{\circ}$ posvyrio kampas
Konstrukcijos linijos aukštis (Žr. toliau pateiktą schemą)	130 mm
Kulno aukštis	10 mm

## Derinimo ilgis



\* Dydžiai  
22–26 = 65 mm  
27–28 = 70 mm  
29–30 = 75 mm

# 12 Informacija apie užsakymą

## Užsakymo pavyzdys

<b>EL</b>	<b>25</b>	<b>L</b>	<b>N</b>	<b>3</b>	<b>S</b>
	Dydis	Pusė (L – kairė / R – dešinė)	Plotis* (N – siauras / W – platus)	Spyruoklių komplekto kategorija	Sandalams pritaikyti pirštai

Galima užsakyti  
22–30 dydžio:  
nuo EL22L1S iki EL30R9S  
nuo EL22L1SD iki EL30R9SD

Pavyzdžiui, EL25LN3S

\* Tik 25–28 dydžiams. Užsakydami kito dydžio protezą,  
pločio lauką praleiskite.

(jei reikia tamsaus atspalvio pėdos  
protezo apvalkalo, pridėkite raidę D)

## Spyruoklių kompleksas

Spyruoklių kompleksas	Pėdos dydis			
	22–24	25–26	27–28	29–30
1 komplektas	539701S	539710S	539719S	Specialus užsakymas
2 komplektas	539702S	539711S	539720S	Specialus užsakymas
3 komplektas	539703S	539712S	539721S	539730S
4 komplektas	539704S	539713S	539722S	539731S
5 komplektas	539705S	539714S	539723S	539732S
6 komplektas	539706S	539715S	539724S	539733S
7 komplektas	539707S	539716S	539725S	539734S
8 komplektas	539708S	539717S	539726S	539735S
9 komplektas		539718S	539727S	539736S

*(Jei reikia tamsaus apvalkalo,  
pridėkite raidę D)*

## Pėdos protezo apvalkalas

Dydis / pusė	Siauras	Platus
22L	539038S	-
22R	539039S	-
23L	539040S	-
23R	539041S	-
24L	539042S	-
24R	539043S	-
25L	539044SN	539044SW
25R	539045SN	539045SW
26L	539046SN	539046SW
26R	539047SN	539047SW
27L	539048SN	539048SW
27R	539049SN	539049SW
28L	539050SN	539050SW
28R	539051SN	539051SW
29L	-	539052S
29R	-	539053S
30L	-	539054S
30R	-	539055S

## Įstūmimo kojine

22–24 dydžio	531011
25–30 dydžio	532811

## Atsakomybė

Gamintojas rekomenduoja naudoti priemonę tik nurodytomis sąlygomis ir numatytais tikslais. Priemonę būtina prižiūrėti vadovaujantis kartu su ja pateikta naudojimo instrukcija. Gamintojas neatsako už jokiais neigiamas pasekmes, kurias sukėlė gamintojo nepatvirtinti komponentų deriniai.

## CE atitiktis

Šis gaminys atitinka Europos reglamento (ES) 2017/745 dėl medicinos priemonių reikalavimus. Vadovaujantis klasifikavimo taisyklėmis, nurodytomis reglamento VIII priede, šis gaminys priskiriamas I klasės priemonėms. ES atitikties deklaraciją galima atsisiųsti šioje svetainėje: [www.blatchford.co.uk](http://www.blatchford.co.uk)



Medicinos priemonė



Vienas pacientas –  
daugkartinis naudojimas

## Suderinamumas

Derinimas su „Blatchford“ gaminiais patvirtintas remiantis bandymais, įskaitant konstrukcijos bandymą, atliktais pagal susijusius standartus ir Medicinos priemonių reglamentą (MPR), matmenų suderinamumu ir stebimomis eksploatacinėmis savybėmis.

Derinimas su alternatyviais CE ženklų pažymėtais gaminiais turi būti atliekamas atsižvelgiant į gydytojo atliktą dokumentuotą vietinį rizikos vertinimą.

## Garantija

Priemonei suteikiama 36 mėnesių garantija, pėdos protezo apvalkalui – 12 mėnesių, įstūmimo kojinei – 3 mėnesių.

Naudotojas turi žinoti, kad dėl pakeitimų ar modifikacijų, kurie nėra aiškiai patvirtinti, gali būti panaikinta garantija, naudojimo licencijos ir išimtytys.

Dabartinį visą garantijos pareiškimą žr. „Blatchford“ svetainėje.

## Pranešimas apie rimtus incidentus

Jei mažai tikėtina atveju įvyktų rimtas incidentas, susijęs su šia priemone, apie jį reikia pranešti gamintojui ir kompetentingai nacionalinei institucijai.

## Su aplinkosauga susiję aspektai

Kai įmanoma, komponentus reikia atiduoti perdirbti pagal vietos atliekų tvarkymo reglamentus.

## Pakuotės etiketės išsaugojimas

Išsaugokite pakuotės etiketę kaip pateiktos priemonės įrodymą.

## Registruotas gamintojo adresas

Blatchford Products Limited, Lister Road, Basingstoke RG22 4AH.

## Prekių ženklų patvirtinimo informacija

„Elite Foot“ ir „Blatchford“ yra „Blatchford Products Limited“ registruotieji prekių ženklai.

Sisukord .....	128
1 Kirjeldus ja kasutusotstarve.....	129
2 Ohutusteave.....	131
3 Konstruksioon.....	132
4 Talitlus .....	133
5 Hooldus.....	133
6 Kasutuspiirangud.....	133
7 Joondumuse eelseadistamine rakises .....	134
8 Sobitamisinõuanded.....	135
9 Lahtimonteerimisjuhised .....	136
10 Montaažjuhised .....	137
11 Tehnilised andmed .....	139
12 Tellimisteave.....	140



# 1 Kirjeldus ja kasutusotstarve

Käesolev juhend on mõeldud proteesimeistrile.

Termin „seade“ viitab käesolevas kasutusjuhendis tootele Elite2.

## Kasutamine

Seade on mõeldud kasutamiseks üksnes osana alajäsemeproteesist.

Ette nähtud kasutamiseks ühel patsiendil.

Suure energiatagastusega jalalaba. Sõltumatud kanna- ja varbavedrud võimaldavad mõningast aksiaalset deflektiooni. Kaheharuline varbaosa pakub head vetruvust maapinnaga kontakteerumisel.

## Aktiivsusgrupp

Seade on soovitatav kasutajatele, kes võivad potentsiaalselt jõuda III või IV aktiivsusgruppi.

Loomulikult on erandeid ja hoolimata meie soovitudest tuleb alati kaaluda iga konkreetse olukorra individuaalseid asjaolusid, kuid iga otsuse taga peab olema selge ja ammendav põhjendus.

### Aktiivsusgrupp 1

Patsient on suuteline või võimeline kasutama proteesi liikumiseks või kõndimiseks tasasel pinnal muutumatu kõnnikiirusega. Iseloomustab patsienti, kes suudab kõndida vaid lühikeste sammudega või aeglase kõnnikiirusega.

### Aktiivsusgrupp 2

Patsient on suuteline või võimeline kõndima ning iseseisvalt ületama madalamaid igapäevasest keskkonnast tulenevaid takistusi (äärekiivid, trepid või ebatasased pinnad). Iseloomustab patsienti, kes suudab kõndida lühiajaliselt kiirema tempoga.

### Aktiivsusgrupp 3

Patsient on suuteline või võimeline kõndima muutuva kõnnikiirusega.

Iseloomustab patsienti, kes on suuteline kõndima ka kiire kõnnikiirusega, ületama enamikku igapäevasest keskkonnast tulenevatest takistustest ning võib tegeleda kutse-, teraapia- või treeningtegevustega, mis seavad proteesile lihtsalt liikumise abistamisest suuremad nõudmised.

### Aktiivsusgrupp 4

Patsient on suuteline või võimeline kõndima proteesiga viisil, mis ületab elementaarseid kõndimisoskusi ning nõuab suuremat löögi- või pingetaluvust või energiataset. Iseloomustab lapse, aktiivse täiskasvanu või sportlase proteetilisi vajadusi.

## Vastunäidustused

Seade ei pruugi sobida I aktiivsusgrupi kasutajatele ega kasutamiseks võistlusspordis, sest sellistele kasutajatele on sobivam erikonstruktsiooniga protees, mis on optimeeritud konkreetse kasutaja vajadustele.

Veenduge, et kasutaja on kõik kasutusjuhised endale selgeks teinud, pöörates erilist tähelepanu jaotisele, mis puudutab hooldust.

## Kliiniline kasu

- Vertikaalne vetruvus löökide neelamiseks
- Suurepärase liikuvus aktiivsetele kasutajatele
- Parem proteesi lateraalne äratõuge
- Suurem kõnnikiirus

## Vedrukomplekti valimine

	Kasutaja kehakaal [kg]									
	44–52	53–59	60–68	69–77	78–88	89–100	101–116	117–130	131–147	148–166
Intensiivsus	Aktiivsusgrupp 3: Jalalaba vedrukomplekt									
Madal	1	1	2	3	4	5	6	7	8	9
	Aktiivsusgrupp 3: Jalalaba vedrukomplekt									
Möödukas	1	2	3	4	5	6	7	8	9	
Kõrge	2	3	4	5	6	7	8	9		

Madal Igapäevane jalutamine ja perioodiline sportimine (nt golf ja jalgsimatkad)

Möödukas Kiire tempoga kõndimine, sage või igapäevane sportimine (nt jooksmine)

Kõrge Igapäevaselt sellised tegevused nagu pikamaajooks, ronimine ning raskete objektide tõstmine ja kandmine tööülesannete täitmiseks.

## Oluline!

**Kõrge intensiivsusega kasutamisel ei tohi vedrukomplekti kasutaja kehakaalu piirangut ületada.**

Märkus... Kui olete kahevahel, valige kõrgema intensiivsusega kategooria vedrukomplekt.

**Toodud jalalaba vedrukomplekti soovitusel kehtivad transtibiaalse süsteemi kasutajatele.**

**Transfemoraalse süsteemi kasutajatel soovitame valida kategooria võrra madalama vedrukomplekti. Rahuldava talitluse ja liikumisvabaduse tagamiseks vt jaotises 8 *Sobitamisinõuanded*.**

## 2 Ohutusteave



Selle hoiatussümboliga on esile tõstetud oluline ohutusteave, mida tuleb hoolikalt järgida.



Kui jäsemeproteesi omadused või talitlus muutuvad (nt piiratud või katkendlik liikumine või ebatavalised helid), tuleks sellest viivitamata teenusepakkujale teada anda.



Trepist alla kõndides hoidke kinni käsipuust (ja alati ka muudel juhtudel, kui see on olemas).



Seade ei sobi kasutamiseks ekstreemspordis, jooksu- ega jalgrattavõistlustel, jää- ja lumespordis, eriti järskudel kallakutel ega eriti järskudel treppidel. Mis tahes sellisteks tegevusteks kasutamine on kasutaja enda riisikol. Harrastuslik jalgrattasõit on lubatud.



Seadme kokkupaneku, hooldamise ja parandamisega seotud töid tohib teha ainult asjakohase kvalifikatsiooniga proteesimeister.



Kui kasutaja seisund muutub, peaks ta sellest viivitamatult proteesimeistrile teada andma.



Sõiduki juhtimisel peab sõidukile olema paigaldatud asjaomane invavarustus. Iga mootorsõiduki juht on kohustatud järgima talle kehtivat liiklusseadust.

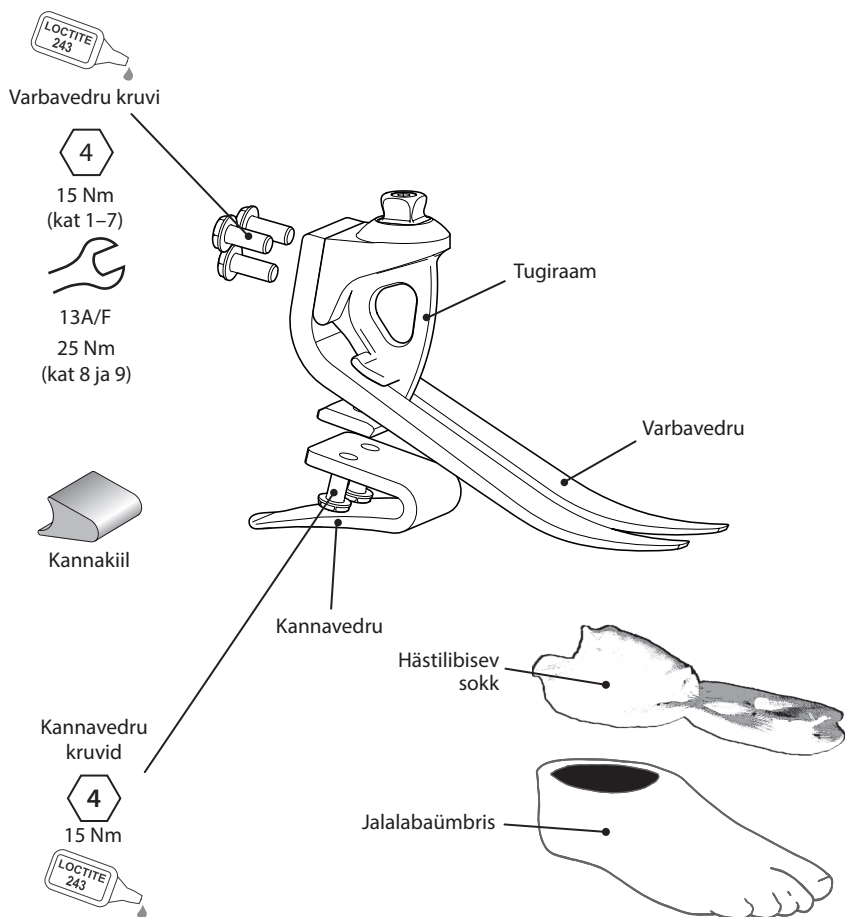


Libastumise ja komistamise ohu minimeerimiseks tuleb alati kanda sobivat jalatsit, kuhu jalalabaümbris tihedalt sisse istub.

### 3 Konstruksioon

#### Peamised osad

- Tugiraami koost (alumiinium / roostevaba teras / titaan)
- Kanna- ja varbavedrud (e-Carbon)
- Vedru kinnituskruvid (titaan)
- Hästilibisev sokk (UHM PE)
- Jalalabaümbris (PU)



---

## 4 Talitlus

Seade sisaldab spetsiaalset süsinikkomposiidist (e-Carbon) varba- ja kannavedrut, mis on teineteisest sõltumatu.

Kanna- ja varbavedrud on kinnitatud tugiraami külge titaankruvidega. Jalalabale tõmmatakse sokk (UHM PE) ning seejärel sisestatakse see jalalabaümbrisse (PU).

---

## 5 Hooldus

Hooldustöid võib teha ainult pädev spetsialist.

Soovitame teha kord aastas järgmised hooldustoimingud.

- Eemaldage jalalabaümbris ja hästilibisev sokk, kontrollige kahjustuste ja kulumise suhtes ning vajaduse korral vahetage.
- Kontrollige kõigi kruvide pingust, vajaduse korral puhastage ja pange uuesti kokku.
- Kontrollige kanna- ja varbavedrut delaminatsiooni või kulumise suhtes ning vajaduse korral vahetage. Pärast mõningast kasutamist võib tekkida väiksemaid pindmisi kahjustusi. Need ei mõjuta jalalaba talitlust ega tugevust.

Kasutajat tuleks juhendada tegema järgmist.

- Igasugustest seadme omaduste muutustest (nt energiatagastuse vähenemine või ebatavalised helid) tuleb teatada proteesimeistrile.
- Samuti tuleb proteesimeistrit teavitada igasugustest kehakaalu ja/või aktiivsusgrupi muutustest.

Kui seadet kasutatakse äärmiselt intensiivselt, tuleb hooldustööde ulatus ja välbad üle vaadata ning vajadusel küsida nõu ja tehnilist tuge, et kavandada uus hooldusgraafik, mis vastab intensiivsete tegevuste sagedusele ja olemusele. Selle tarbeks peaks asjakohase kvalifikatsiooniga spetsialist koostama kohaliku riskianalüüsi.

Soovitage kasutajal jässemproteesi regulaarselt visuaalselt kontrollida ning teenusepakkujat teavitada, kui ta märkab kulumisjälgi, mis võivad mõjutada seadme talitlust (nt märkimisväärne kulumine või ülemäärane värvimuutus, mis on põhjustatud pikaajalisest kokkupuutest UV-kiirgusega).

### Puhastamine

Kasutage välispindade puhastamiseks niisket lappi ja pehmetoimelist seepi. Ärge kasutage tugevatoimelisi puhastusvahendeid.

---

## 6 Kasutuspiirangud

### Kavandatud kasutusiga

Koostada tuleks kohalik riskianalüüs, mis arvestab aktiivsust ja kasutust.

### Raskuste tõstmine

Kasutaja kehakaal ja aktiivsus peab jääma nimetatud piiridesse.

Kasutajale lubatud raskuste tõstmise piirid peaksid põhinema kohalikul riskianalüüsil.

### Keskkond

Seade on veekindel kuni 1 m sügavusel.

Abrasiiivses (nt liiva või kruusa sisaldavas) keskkonnas kasutamise järel loputage seadet põhjalikult puhta veega, et vältida liikuvate osade kulumist või kahjustamist.

Loputage põhjalikult puhta veega pärast kasutamist mere- või kloorivees.

Kui võimalik, tuleks kasutada sobivaid vahendeid, et vältida vee pääsemist jalalabaümbrisse sisse.

Kui vesi pääseb jalalabaümbrisse sisse, tuleks see ümber pöörata ja lasta sellel enne uuesti kasutamist ära kuivada.

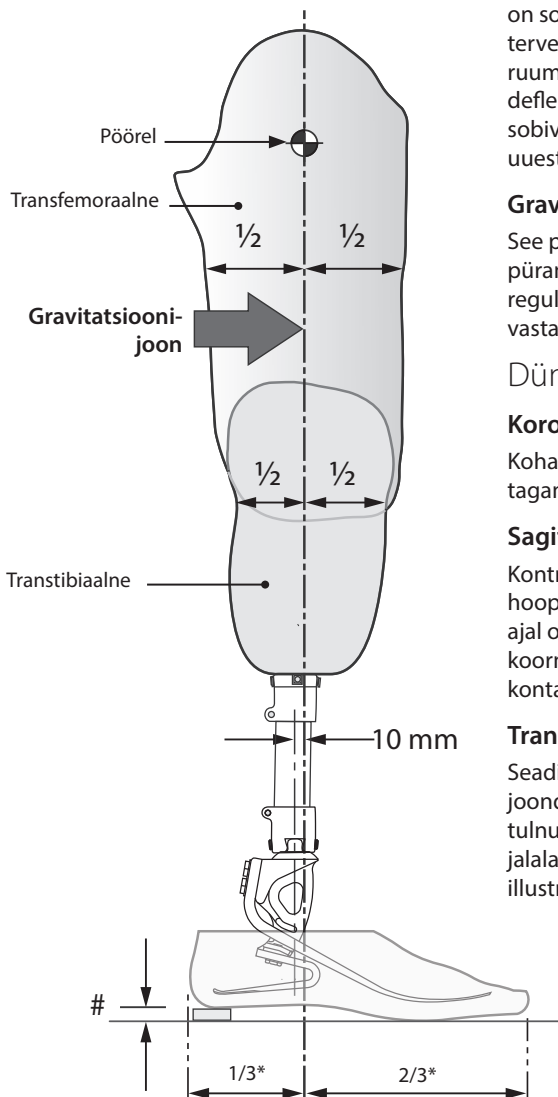


Lubatud vette kasta

Mõeldud kasutamiseks ainult temperatuurivahemikus –15 °C kuni 50 °C.

## 7 Joondumuse eelseadistamine rakises

### 7.1 Staatiline joondumus



#### Pikkuse seadmine

Kui fleksioon, aduksioon ja abduktsioon on sobivad, seadke jäsemeproteesi pikkus tervest poolest 5 mm pikemaks, et jätta ruumi jalavedrude kompressiooniks ja defleksiooniks kõndimise ajal. Pikkuse sobivust tuleks dünaamilise katsetamise ajal uuesti hinnata ja vajaduse korral kohandada.

#### Gravitatsioonijoon

See peaks olema kuni 10 mm anteroorselt püramiidi tsentrist (kanna kõrgus sobivaks reguleeritud). Hülsi asend tuleks seada sellele vastavalt.

#### Dünaamiline joondumus

#### Koronaaltasapind

Kohandage hülsi ja jalalaba suhtelist asendit tagamaks, et M–L-jõud on minimaalsed.

#### Sagitaaltasapind

Kontrollige sujuvat üleminekut kannalöögist hooperiöödi algfaasini. Veenduge, et seismise ajal on kanna- ja varbavedru ühtlaselt koormatud ning mõlemad pörandaga kontaktis.

#### Transfemoraalne joondumus

Seadistage transfemoraalsete komponentide joondumus kooskõlas põlvega kaasa tulnud juhistega, et gravitatsioonijoon jääks jalalaba suhtes selliselt, nagu on näidatud illustatsioonil.

#Jätke ruumi kasutaja jalanõule

\*Ligikaudne suhe

## 8 Sobitamishõuanded

Vedrukomplekt sisaldab kahte sama kategooria vedrut (s.o kann- ja varbavedru), mis on loodud toimima üheskoos, et pakkuda sujuvat kõnnifaaside üleminekut enamikul kasutajatel.

### Kannakiil

Jalalaba komplektis on kannakiil. Kiilu paigaldamisel muutub kannavedru jäigemaks. Katsetamise ajaks võib selle fikseerida teibiga. Püsivaks paigalduseks tuleb see kannavedru külge kleepida, kasutades kann alumise kontaktpinna ja kiilu vahel liimi Loctite 424 (926104).

### Kanna jäikus

Toefaaside üleminek peaks olema sujuv. Kanna talitlusel on siin oluline roll.

- Liiga pehme kand või koormusjoone seadmine posterioorselt liiga kaugele põhjustab vajumist kannalöögi ajal ning raskusi jäseme liikumisel üle varba.
- Liiga jäik kand või koormusjoone seadmine anterioorselt liiga kaugele põhjustab kiiret üleminekut läbi vertikaalimomendi või pörutust kannalöögi ajal.

	Sümptomid	Lahendus
<b>Liiga pehme kand</b>	<ul style="list-style-type: none"><li>• Vajumine kannalöögi ajal</li><li>• Raskused jäseme liikumisel üle varba liikumisel (varvas tundub liiga kõva)</li></ul>	<ol style="list-style-type: none"><li>1. Lisage kannakiil</li><li>2. Nihutage hülssi jalalaba suhtes anterioorselt (liiga kaugele nihutamine põhjustab äravajumist).</li><li>3. Kui 1. ja 2. meede tulemust ei anna, paigaldage jäigem vedrukomplekt.</li></ol>
<b>Liiga kõva kand</b>	<ul style="list-style-type: none"><li>• Kiire üleminek alates kannalöögist kuni toefaasi lõpuni</li><li>• Kannalöögi juhtimine on raske, jalalaba liigub jõnksuga vertikaalimomendi.</li><li>• Jalalaba tundub liiga jäik.</li></ul>	<ol style="list-style-type: none"><li>1. Eemaldage kannakiil (kui on paigaldatud).</li><li>2. Liigutage hülssi jalalaba suhtes posterioorselt.</li><li>3. Kui 1. ja 2. meede tulemust ei anna, paigaldage pehmem vedrukomplekt.</li></ol>
<b>Liiga pehme varbaosa/laba</b>	<ul style="list-style-type: none"><li>• Kiire üleminek läbi vertikaalimomendi.</li><li>• Ärakukkumine kõrgemate aktiivsusgruppide puhul</li></ul>	<ol style="list-style-type: none"><li>1. Liigutage hülssi jalalaba suhtes posterioorselt.</li><li>2. Suurendage jalalaba plantaarfleksiooni. NB! Sellisel juhul võib olla vajalik joondumuse seadistuse kohandamine.</li></ol>

Kui pärast eeltoodud nõuannete järgimist pole võimalik sujuvat kõnnakut saavutada, võtke ühendust kohaliku müügiesindajaga.

## 9 Lahtimonteerimisjuhised



**Kasutage alati sobivaid töötervishoiu ja tööohutuse vahendeid (sh äratõmbesüsteeme).**



**Olge alati teadlik sõrmede muljumise ohust.**

1



Eemaldage ettevaatlikult jalalabaümbrise küljest kosmeetilise vahtümbrise jäägid, mis võivad olla selle külge kleepunud.

2



Eemaldage kinnituskruid tugiraamist ja tõmmake varbavedrut kannu suunas.

3



Eemaldage varbavedru, et jalalabaümbrise sisse jääks ainult tugiraami ja kannavedru koost.

4



Kallutage tugiraami ja kannavedru koostu kannu suunas, et vedru jalalabaümbrises olevast soonest vabastada.



## 10 Montaažijuhised

1



Monteerige kannavedru tugiraami külge, nagu näidatud illustatsioonis.

2



Kasutage spetsiaalset kuuskantvõtit 940080, momentvõtme adapterit 940081 või 13 A/F mutrivõtit 940273. Kasutage keermeliimi Loctite 243 (926012) ja pingutage momendiga 15 Nm.

3



Kinnitage varbavedru kruvidega tugiraami külge ja kasutage kruvidel keermeliimi Loctite 243 (926012).  
1. Vedrukategooria 1 kuni 7 puhul kasutage 4 A/F kuuskantvõtit ja pingutage momendiga 15 Nm. Ärge kasutage välist kuuskanti, sest see on mõeldud kruvi lödvendamiseks, kui see peaks vajalik olema.  
2. Vedrukategooria 8 ja 9 puhul kasutage 13 A/F mutrivõtit ja pingutage momendiga 25 Nm.

4



Veenduge, et tugiraami küljele on märgitud õige vedruk komplekti number. Kasutage musta püsimarkerit, et vastavad segmendid mustaks värvida.

5

Hästilbisev sokk



Tõmmake sokk üle varbavedru, kannavedru ja tugiraami koostu, nagu näidatud illustatsioonis.

6



Kui paigaldatakse kosmeetiline vahtümbris, tehke jalalabaümbrise ülaosa karedaks, et vahtümbris paremini selle külge nakkuks.

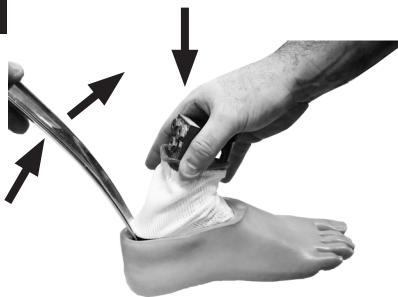
7

Varbavedru asukoht  
jalalabaümbrises



Libistage terve koost jalalabaümbrisse.  
Veenduge, et varbavedru istub õiges soones.

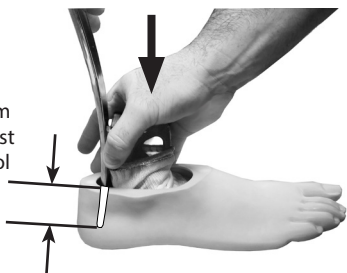
8



Libistage metallist kingalusikas kannavedru ja  
jalalabaümbrise tagumise sisekülje vahele ning  
kangutage vedrut jalalabaümbrises sügavamale.

9

30 mm  
kannast  
allpool



Vajutage kannavedru jalalabaümbrises olevasse  
soonde. Kingalusikas peaks jääma ligikaudu  
30 mm sügavusele jalalabaümbrise ülemisest  
servast.

10

kannavedru soon



Veenduge, et kannavedru istub jalalabaümbrises  
õiges soones.

11

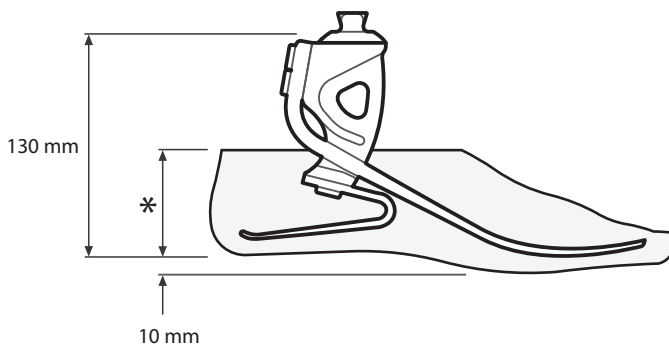


Kasutage liimi Thixofix (926204) või samaväärset  
liimi, et kleepida kosmeetiline vahtümbris  
jalalabaümbrise ülaosa külge, ja vormige  
sobivaks.

# 11 Tehnilised andmed

Kasutamise- ja hoiustamistemperatuur:	-15 °C kuni 50 °C
Komponendi mass ( <i>suurus 26</i> ):	680 g
Aktiivsusgrupp:	3–4
Kasutaja max kehakaal:	166 kg
Proksimaalne joondumust kohandada võimaldav kinnitus:	Pistikpüramiid (Blatchford)
Reguleerimisulatus:	±7° kalle
Konstruksiooni kõrgus: (vt järgmist joonist)	130 mm
Kanna kõrgus:	10 mm

## Sobituspikkus



\* Suurused  
22–26 = 65 mm  
27–28 = 70 mm  
29–30 = 75 mm

# 12 Tellimisteave

## Näidistellimus

EL	25	L	N	3	S
	Suurus	Kehapool (vasak – L / parem – R)	Laius* (kitsas – N / lai – W)	Vedru- komplekti kategorია	Sandaalile sobiv varbaosa

Saadaval suurused

22 kuni 30:

EL22L1S kuni EL30R9S

EL22L1SD kuni EL30R9SD

(lisage „D“ tumedas toonis  
jalalabaümbriseks)

nt EL25LN3S

\* Ainult suurused 25–28. Kõigi ülejäänud suuruste puhul jätke laiuse väli tühjaks.

## Vedrukomplekt

Vedru- komplekt	Jalalaba suurus			
	22–24	25–26	27–28	29–30
Komplekt 1	539701S	539710S	539719S	Eritellimus
Komplekt 2	539702S	539711S	539720S	Eritellimus
Komplekt 3	539703S	539712S	539721S	539730S
Komplekt 4	539704S	539713S	539722S	539731S
Komplekt 5	539705S	539714S	539723S	539732S
Komplekt 6	539706S	539715S	539724S	539733S
Komplekt 7	539707S	539716S	539725S	539734S
Komplekt 8	539708S	539717S	539726S	539735S
Komplekt 9		539718S	539727S	539736S

## Jalalabaümbris

(tumedaks tooniks lisage „D“)

Suurus/kehapool	Kitsas	Lai
22L	539038S	-
22R	539039S	-
23L	539040S	-
23R	539041S	-
24L	539042S	-
24R	539043S	-
25L	539044SN	539044SW
25R	539045SN	539045SW
26L	539046SN	539046SW
26R	539047SN	539047SW
27L	539048SN	539048SW
27R	539049SN	539049SW
28L	539050SN	539050SW
28R	539051SN	539051SW
29L	-	539052S
29R	-	539053S
30L	-	539054S
30R	-	539055S

## Hästilbisev sokk

Suurus 22–24	531011
Suurus 25–30	532811

## Vastutus

Tootja soovib kasutada seadet üksnes nimetatud tingimustes ja kasutusotstarbel. Seadet tuleb hooldada kooskõlas seadme komplektis oleva kasutusjuhendiga. Tootja ei vastuta mingisuguste kõrvaltoimete eest, mis on põhjustatud komponentide kombinatsioonist, mida tootja pole heaks kiitnud.

## CE-vastavus

Toode on kooskõlas Euroopa meditsiiniseadmete määruse EL 2017/745 nõuetega. Toode on liigitatud I klassi seadmeks vastavalt määruse VIII lisas toodud liigitamisreeglitele. Euroopa Liidu vastavusdeklaratsiooni saate alla laadida järgmiselt aadressilt: [www.blatchford.co.uk](http://www.blatchford.co.uk)



Meditsiiniseade



Üks patsient – mitu kasutuskorda

## Ühilduvus

Kasutamine koos Blatchfordi toodetega on heaks kiidetud, tuginedes kooskõlas asjaomaste standardite ja meditsiiniseadmete direktiiviga tehtud katsetele (sh konstruktsioonikatse, mõõtmete ühilduvus ja toimivuse jälgimine praktikas).

Kasutamine koos mõne teise CE-märgisega tootega nõuab eelnevat dokumenteeritud kohalikku riskianalüüsi proteesimeistri poolt.

## Garantii

Seadmel on 36-kuuline, jalalabaümbrisel 12-kuuline ja hästilibiseval sokil 3-kuuline garantii.

Kasutaja peab olema teadlik, et muudatused või täiendused, milleks ei ole saadud selgesõnalist luba, võivad garantii, kasutusload ja vabastused kehtetuks muuta.

Kõiki kehtivaid garantiitingimusi vt Blatchfordi veebisaidilt.

## Ohujuhtumitest teatamine

Seadmega seotud ohujuhtumitest, mis on äärmiselt ebatõenäolised, tuleks teavitada tootjat ja oma riigi pädevat asutust.

## Keskkonnaaspektid

Kui võimalik, tuleks komponendid kooskõlas kohalike jäätmekäitluseeskirjadega ringluse võtta.

## Pakendi etiketi säilitamine

Teil soovitatakse pakendi etikett alles hoida ning seda säilitada selle seadme tarnimise dokumendina.

## Tootja registriaadress

Blatchford Products Limited, Lister Road, Basingstoke RG22 4AH.

## Kaubamärgid

Elite Foot ja Blatchford on ettevõtte Blatchford Products Limited registreeritud kaubamärgid.

[blatchford.co.uk/distributors](http://blatchford.co.uk/distributors)

**Blatchford Products Ltd.**

Unit D Antura  
Kingsland Business Park  
Basingstoke  
RG24 8PZ  
UNITED KINGDOM  
Tel: +44 (0) 1256 316600  
Fax: +44 (0) 1256 316710  
Email: [customer.service@blatchford.co.uk](mailto:customer.service@blatchford.co.uk)  
[www.blatchford.co.uk](http://www.blatchford.co.uk)

**Blatchford Inc.**

1031 Byers Road  
Miamisburg  
Ohio 45342  
USA  
Tel: +1 (0) 800 548 3534  
Fax: +1 (0) 800 929 3636  
Email: [info@blatchfordus.com](mailto:info@blatchfordus.com)  
[www.blatchfordus.com](http://www.blatchfordus.com)

**Blatchford Europe GmbH**

Am Prime-Parc 4  
65479 Raunheim  
GERMANY  
Tel: +49 (0) 9221 87808 0  
Fax: +49 (0) 9221/87808 60  
Email: [info@blatchford.de](mailto:info@blatchford.de)  
[www.blatchford.de](http://www.blatchford.de)

Email: [contact@blatchford.fr](mailto:contact@blatchford.fr)  
[www.blatchford.fr](http://www.blatchford.fr)

**Endolite India Ltd.**

A4 Naraina Industrial Area  
Phase - 1  
New Delhi  
INDIA – 110028  
Tel: +91 (011) 45689955  
Fax: +91 (011) 25891543  
Email: [endolite@vsnl.com](mailto:endolite@vsnl.com)  
[www.endoliteindia.com](http://www.endoliteindia.com)

**Ortopro AS**

Hardangervegen 72  
Seksjon 17  
5224 Nesttun  
NORWAY  
Tel: +47 (0) 55 91 88 60  
Email: [post@ortopro.no](mailto:post@ortopro.no)  
[www.ortopro.no](http://www.ortopro.no)



Blatchford Europe GmbH  
Am Prime-Parc 4  
65479 Raunheim Germany

